

[54] **RAZOR**

[75] **Inventor: Brian B. Sinclair, London, England**

[73] **Assignee: Wilkinson Sword Limited, England**

[**] **Term: 14 Years**

[21] **Appl. No.: 938,734**

[22] **Filed: Dec. 4, 1986**

[30] **Foreign Application Priority Data**

Jun. 7, 1986 [GB] United Kingdom 1034657

[52] **U.S. Cl. D28/46**

[58] **Field of Search D28/44-54;
30/32, 34 R, 34.1, 47, 90, 50, 85, 86**

[56] **References Cited**

U.S. PATENT DOCUMENTS

D. 216,657	2/1970	Grange	D28/46
D. 221,121	7/1971	Jerusalmi	D28/46
D. 221,717	8/1971	Poisson	D28/45
D. 228,315	9/1973	Glaberson	D28/46
D. 241,382	9/1976	Jones	D28/46

Primary Examiner—Louis S. Zarfaz
Attorney, Agent, or Firm—Finnegan, Henderson,
Farabow, Garrett & Dunner

[57] **CLAIM**

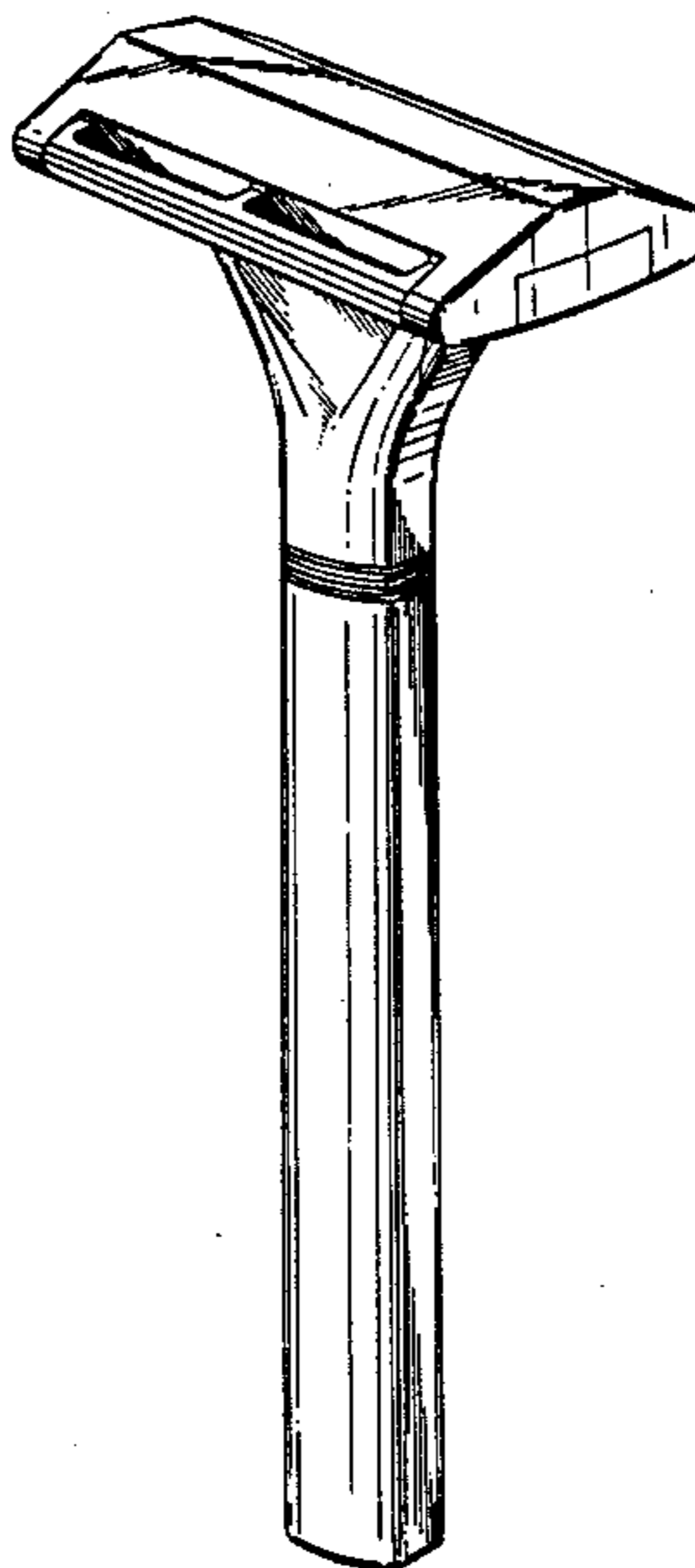
The ornamental design for a razor, as shown.

DESCRIPTION

FIG. 1 is a top front right perspective view of a razor showing my new design;

FIG. 2 is a bottom rear left perspective view thereof; and

FIG. 3 is a perspective view of the razor corresponding to the view of FIG. 1 but in the open position.



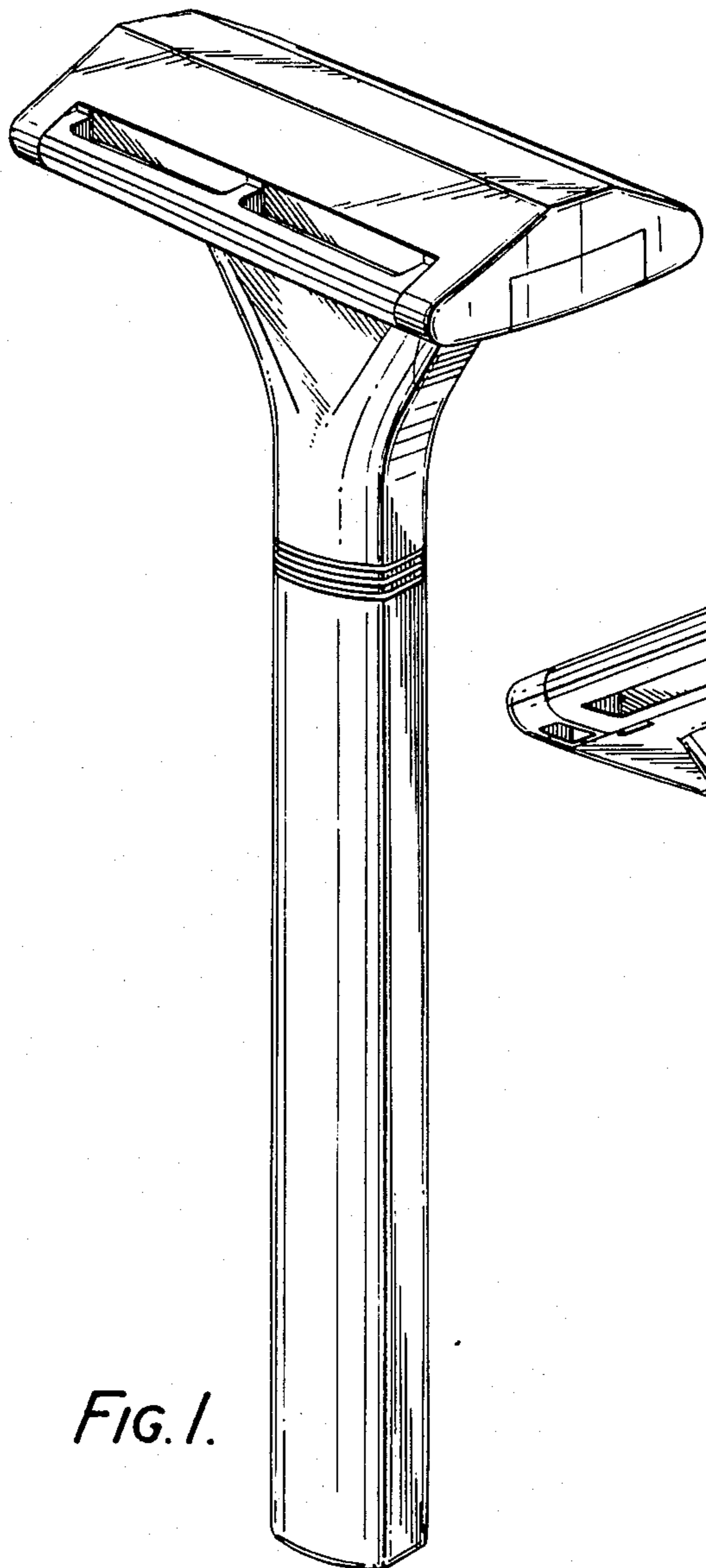


FIG. 1.

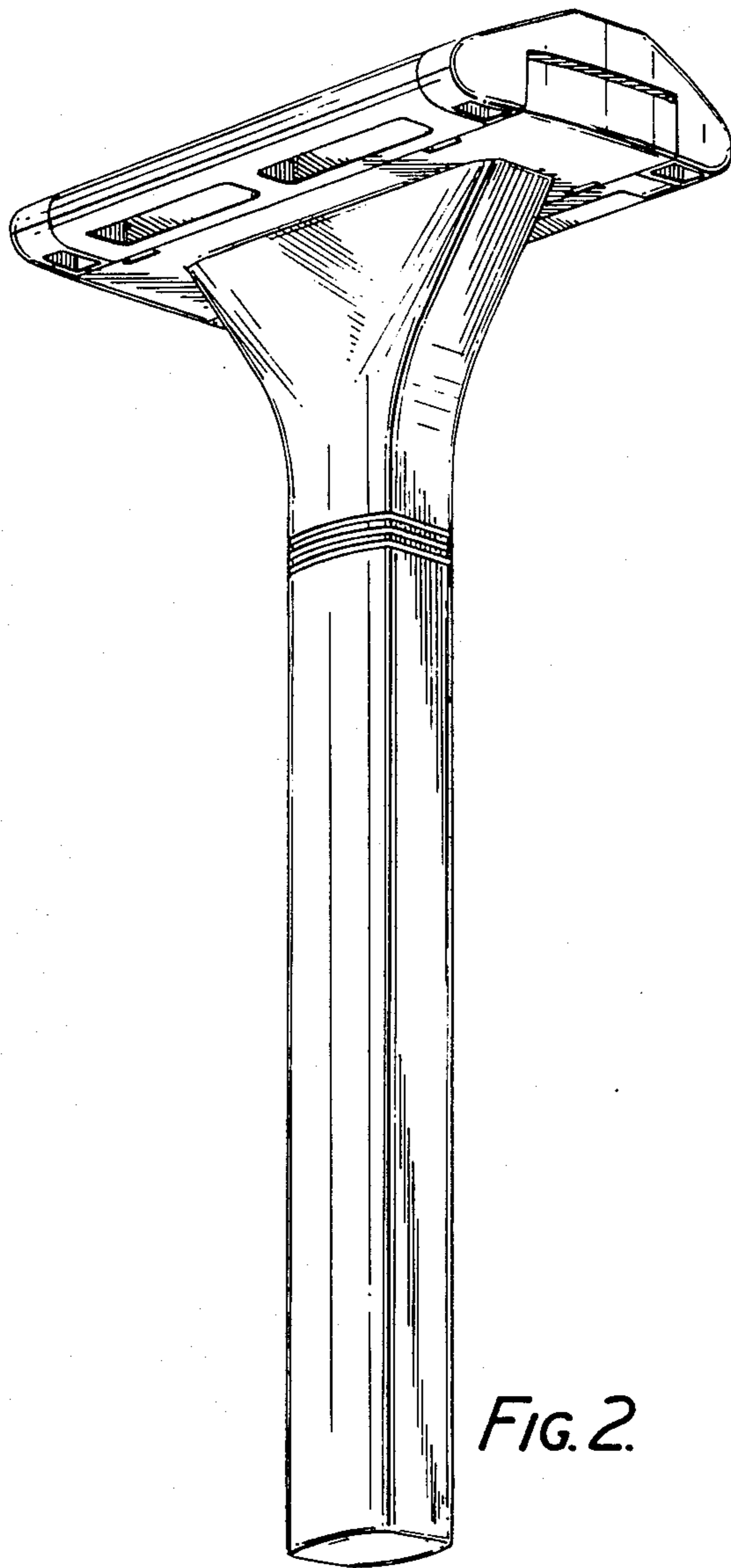


FIG. 2.

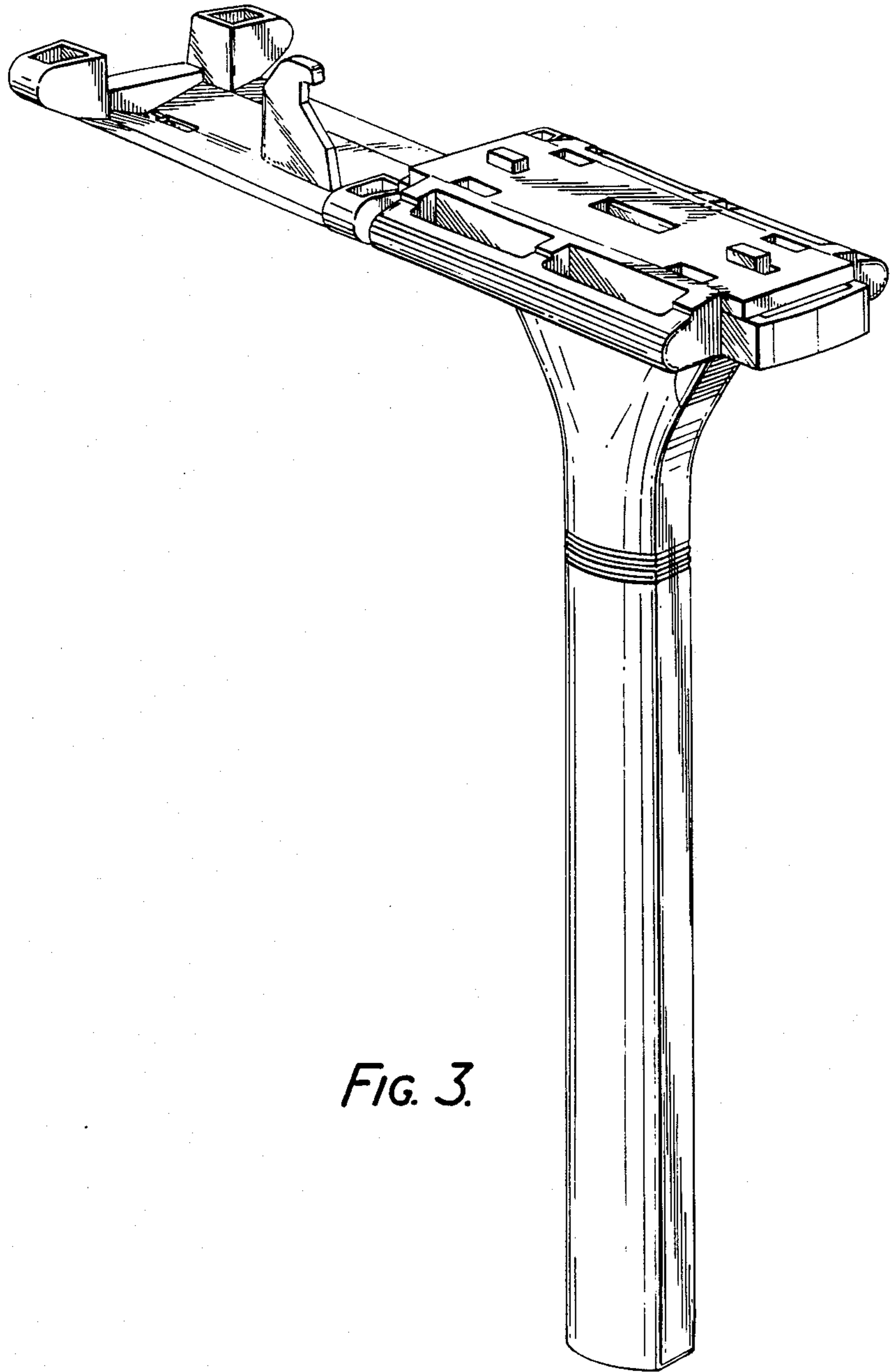


FIG. 3.