

[54] FLUTED PERFUME APPLICATOR

[76] Inventor: Charles Reichmann, 82-36 Beverly Rd., Kew Gardens, N.Y. 11415

[**] Term: 14 Years

[21] Appl. No.: 844,764

[22] Filed: Mar. 17, 1986

[52] U.S. Cl. D28/5; D19/49; D28/91.1

[58] Field of Search D28/4-8, D28/73-91.1, 99; D9/300; D19/45, 49, 51; 206/235, 385, 581, 823; 132/200, 202, 208, 212, 112-115, 297, 317-320, 333, 88.7

[56] References Cited

U.S. PATENT DOCUMENTS

D. 209,993 1/1968 Horie D19/49

D. 221,033 6/1971 Wakai D19/49
D. 267,982 2/1983 Kennedy D28/91.1
2,374,065 4/1945 Worthington D28/7
4,712,571 12/1987 Renz et al. 132/88.7

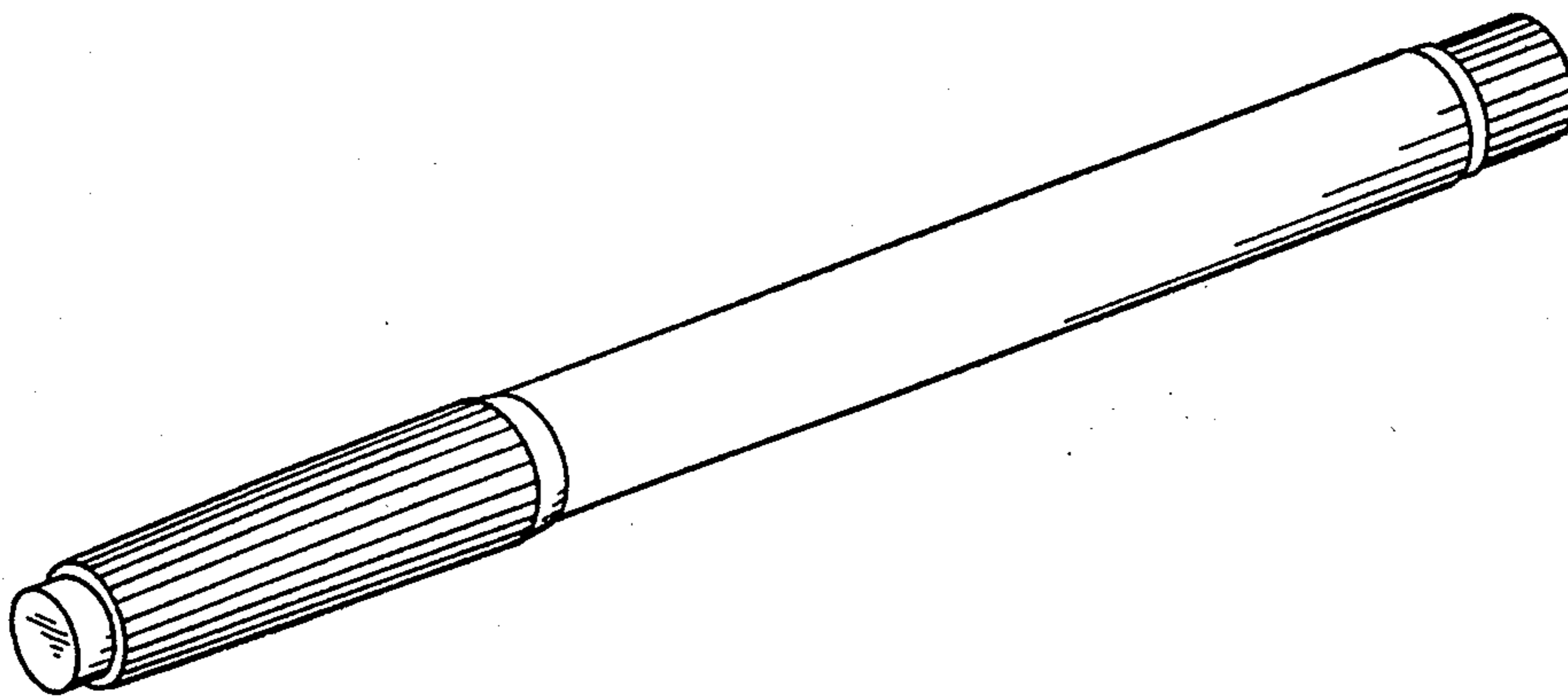
Primary Examiner—Louis S. Zarfes
Attorney, Agent, or Firm—Bauer & Schaffer

[57] CLAIM

The ornamental design for a fluted perfume applicator, as shown and described.

DESCRIPTION

FIG. 1 is a perspective view of a fluted perfume applicator showing my new design;
FIG. 2 is a side elevational view;
FIG. 3 is an end view in the direction of lines 3—3 of FIG. 2; and
FIG. 4 is an end view in the direction of lines 4—4 of FIG. 2.



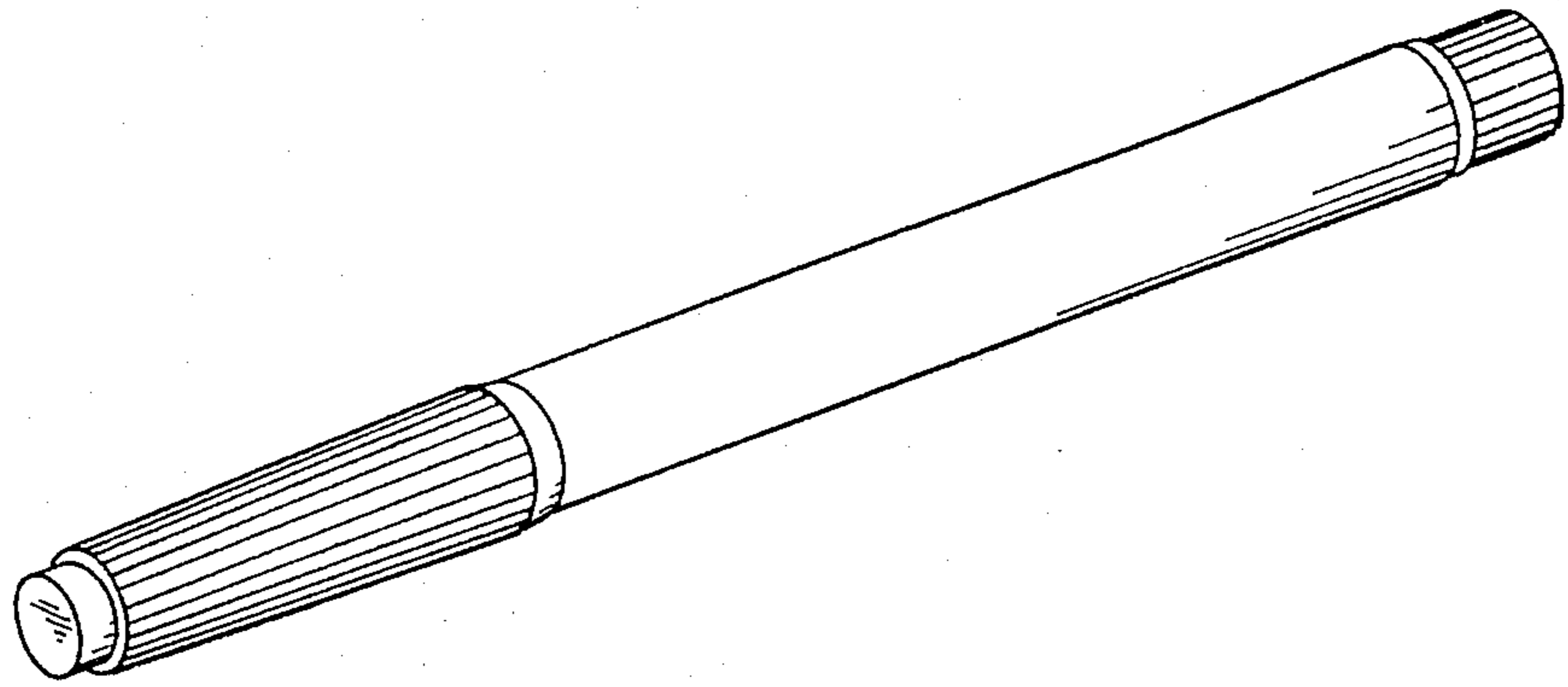


Fig. 1

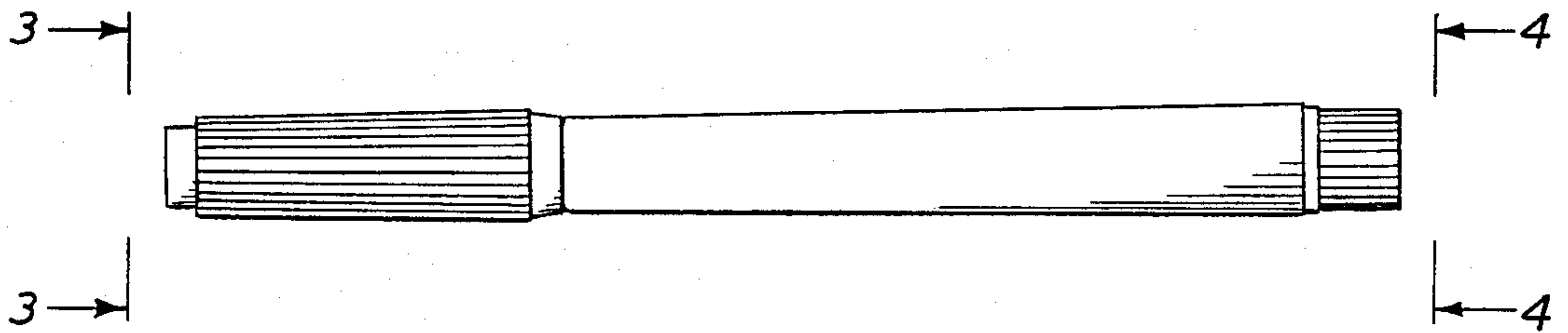


Fig. 2

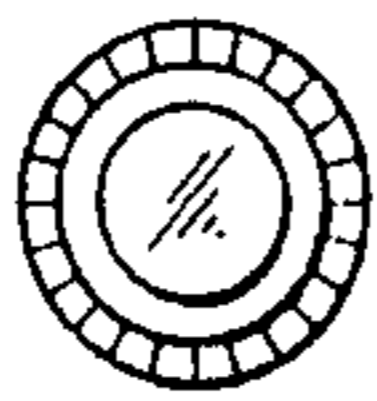


Fig. 3

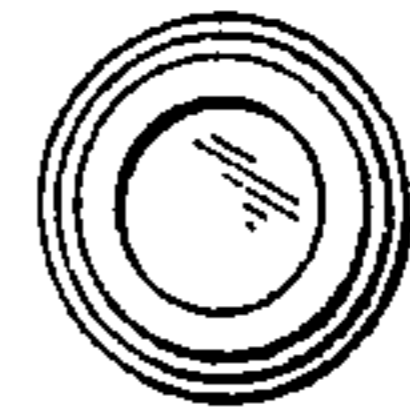


Fig. 4