

[54] ADJUSTABLE SUPPORT BRACKET FOR PITCHED ROOF-MOUNTED EXTERIOR LIGHT OR SIMILAR ARTICLE

[76] Inventor: Mark Yates, 1005 Merced Ave., Ontario, Calif. 91764

[\*\*] Term: 14 Years

[21] Appl. No.: 923,663

[22] Filed: Oct. 24, 1986

[52] U.S. Cl. .... D26/140

[58] Field of Search ..... D26/138, 140, 63, 65, D26/64, 72, 87, 92; 248/159, 176, 229, 231.7, 231.8, 515, 545; 362/418, 432, 269; D8/354, 355, 363, 373, 349, 380

[56] References Cited

U.S. PATENT DOCUMENTS

2,898,065	8/1959	Ackley	.....	248/515
2,985,414	5/1961	Ince	.....	248/515
3,958,786	5/1976	Mann	.....	248/176
4,587,921	5/1986	Currey	.....	248/158 X

FOREIGN PATENT DOCUMENTS

616106 7/1925 Fed. Rep. of Germany ..... 362/432

Primary Examiner—Susan J. Lucas

[57] CLAIM

The ornamental design for a adjustable support bracket for pitched roof-mounted exterior light or similar article, as shown and described.

DESCRIPTION

FIG. 1 is a side perspective view of an adjustable support bracket for pitched roof-mounted exterior light or similar article showing my new design, the mounting surface being shown in broken lines for illustrative purposes only;

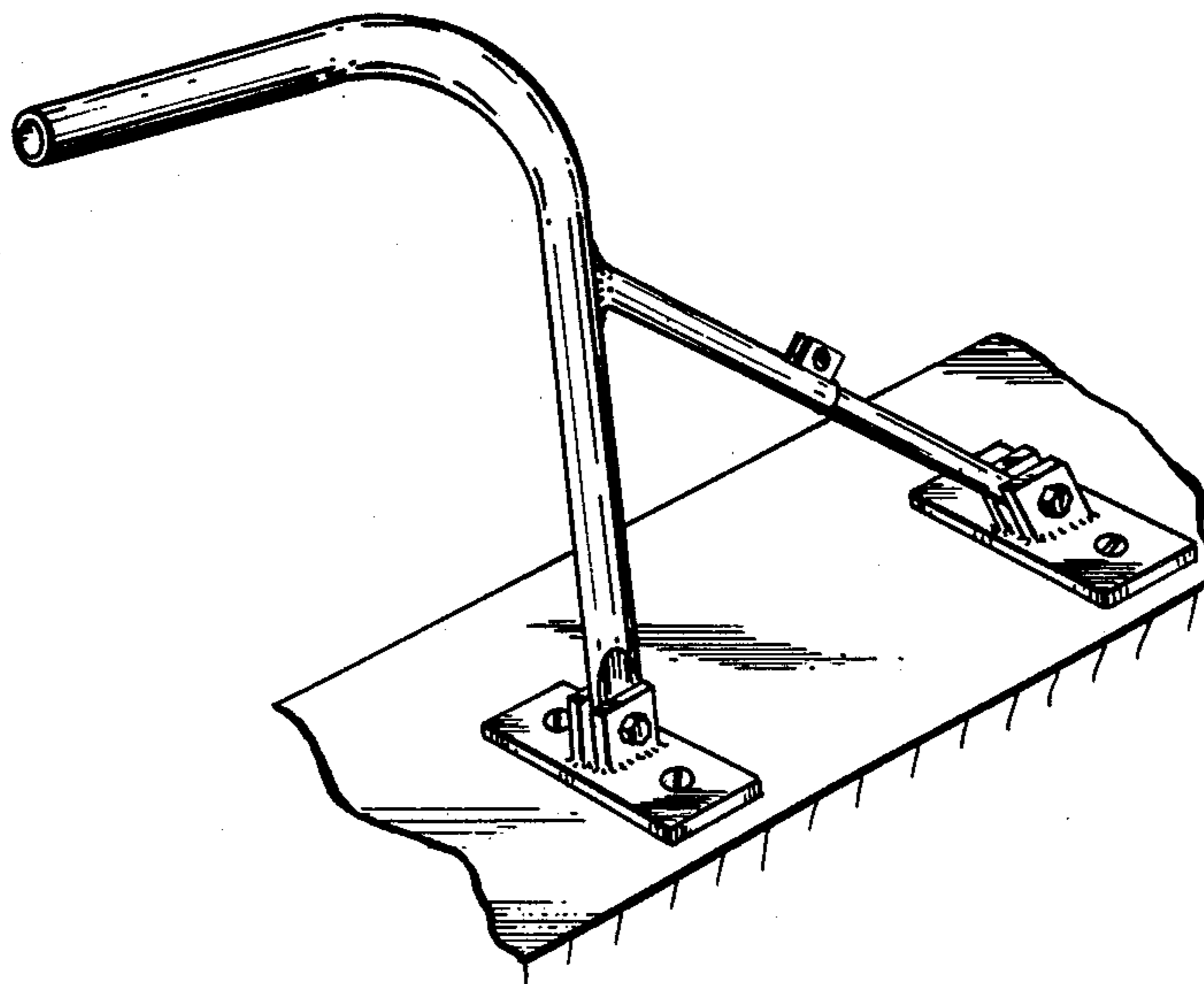
FIG. 2 is a top plan view thereof on an enlarged scale;

FIG. 3 is a side elevational view thereof;

FIG. 4 is a bottom plan view thereof on an enlarged scale;

FIG. 5 is a rear elevational view thereof on an enlarged scale;

FIG. 6 is a front elevational view thereof on an enlarged scale.



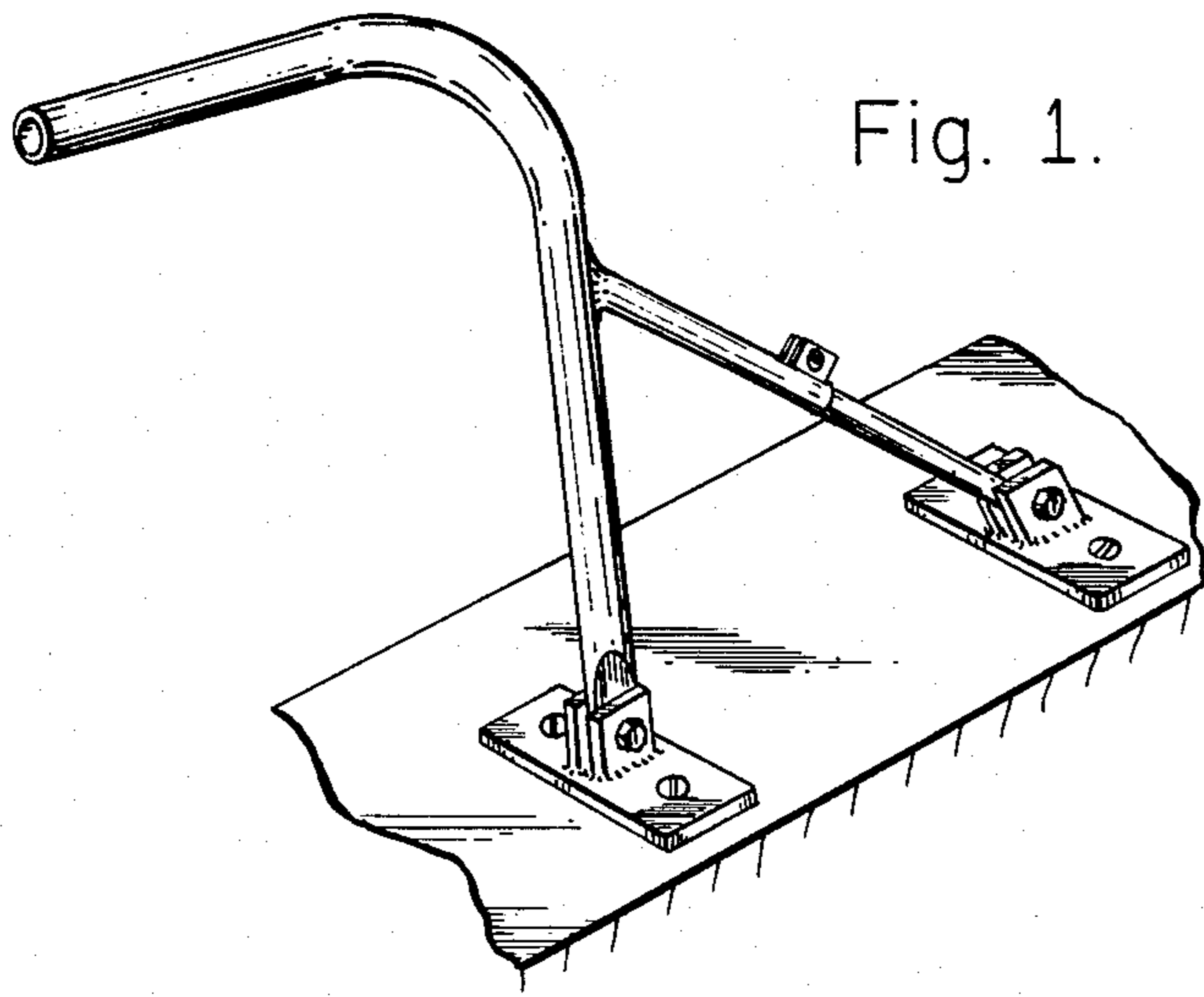


Fig. 1.



Fig. 2.

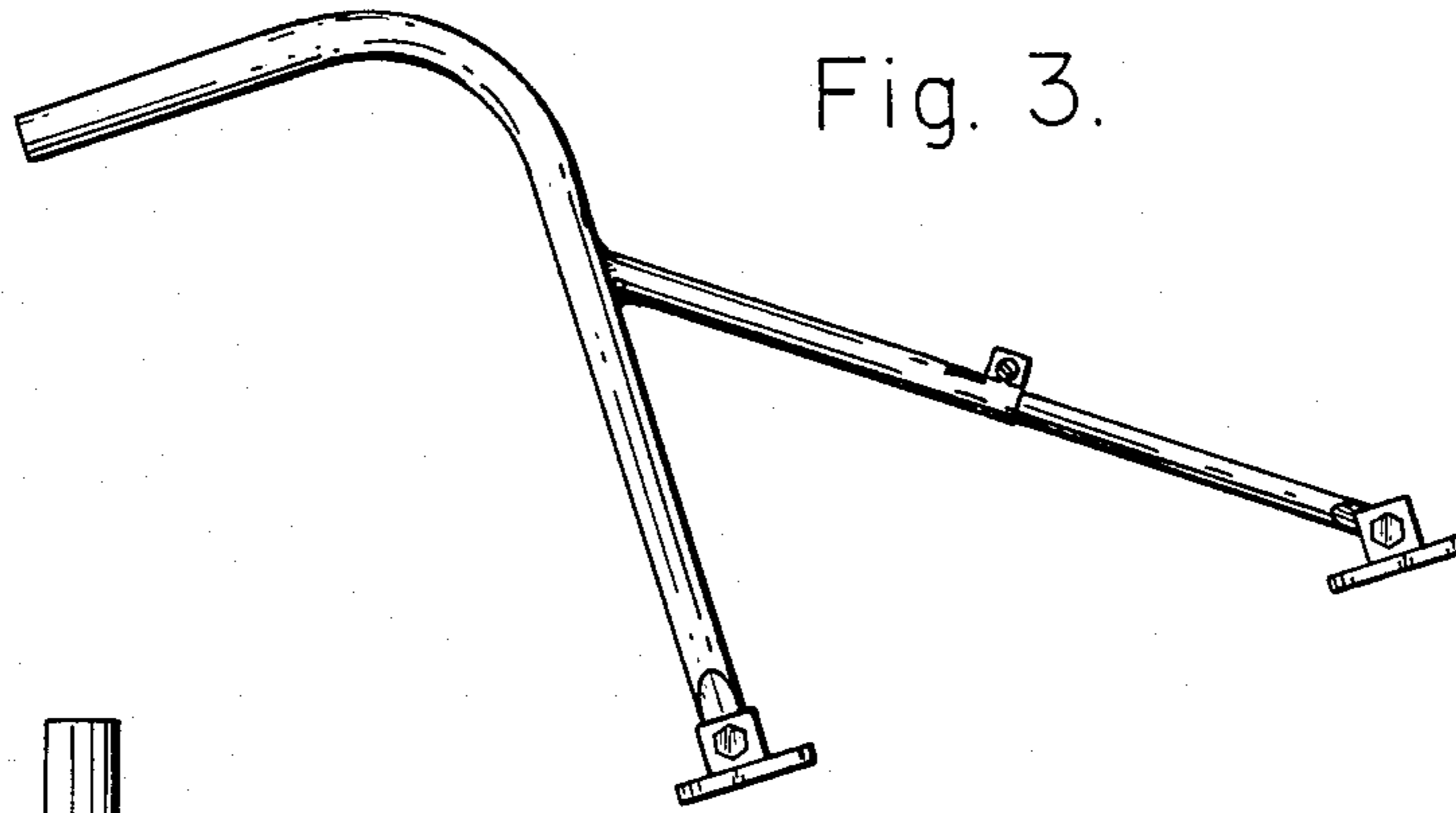


Fig. 3.

Fig. 4.

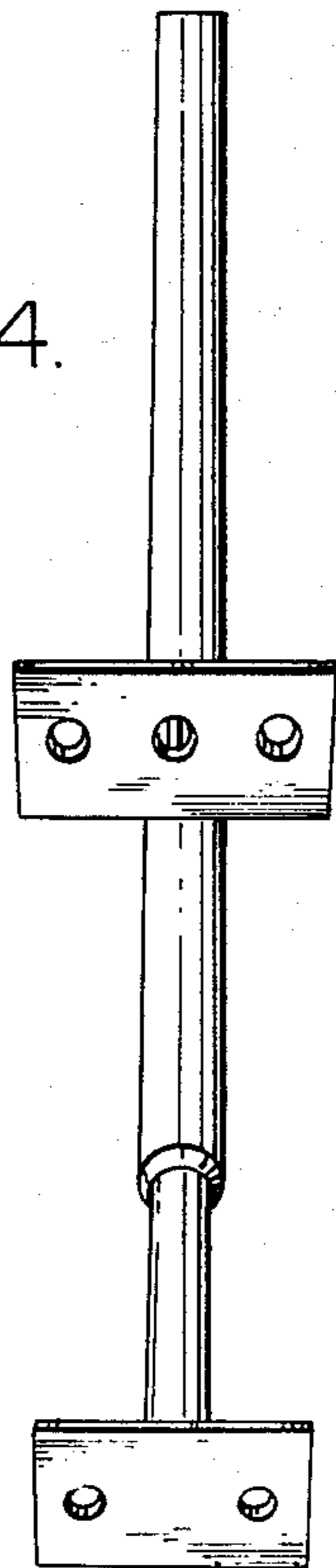


Fig. 5.

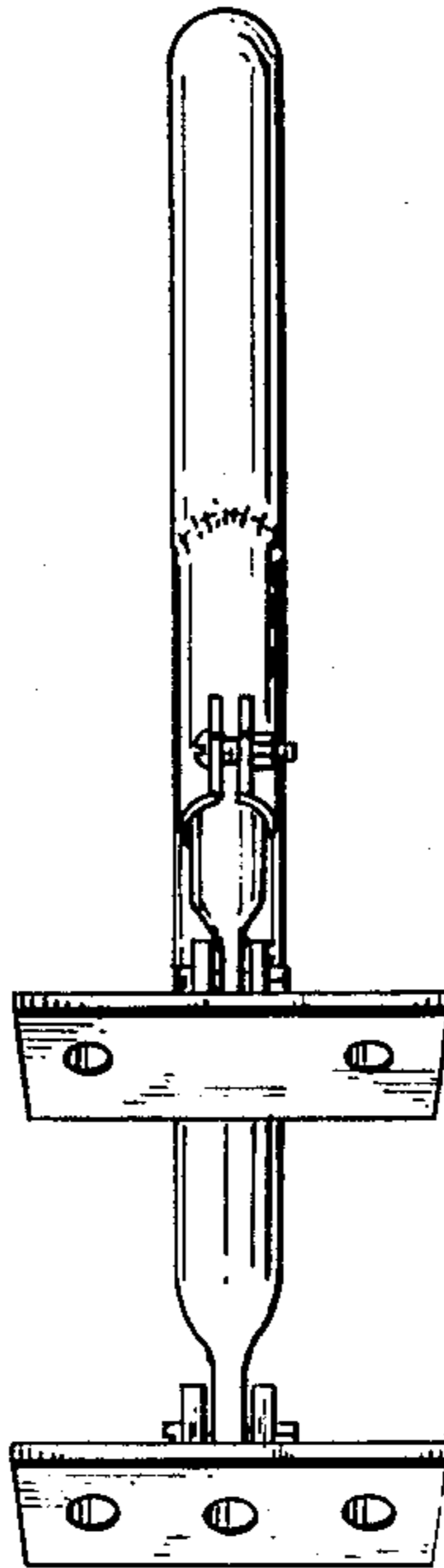


Fig. 6.

