

[54] COMBINED EXTERIOR LAMP AND SIGN

2,066,631 1/1937 Gorre D26/68 X

[76] Inventor: Ralph Flores, 5154 Garden Grove Ave., Tarzana, Calif. 91356

Primary Examiner—Susan J. Lucas
Attorney, Agent, or Firm—Nilsson, Robbins, Dalgarn, Berliner, Carson & Wurst

[**] Term: 14 Years

[21] Appl. No.: 905,617

[57] CLAIM

[22] Filed: Sep. 8, 1986

The ornamental design for a combined exterior lamp and sign, as shown and described.

[52] U.S. Cl. D26/51; D26/68

[58] Field of Search D26/67-71, D26/51; 362/431, 806, 362, 363

DESCRIPTION

[56] References Cited

FIG. 1 is a side elevational view of the combined exterior lamp and sign showing my new design; FIG. 2 is a top plan view thereof; and FIG. 3 is a bottom plan view thereof. The opposite side of the lamp is a mirror image of the side shown in FIG. 1. All sides of the four-sided base are identical.

U.S. PATENT DOCUMENTS

- D. 78,965 7/1929 Carson D26/69 X
- D. 217,283 4/1970 Horton D26/68 X
- 1,573,580 2/1926 Ruttle D26/68 X

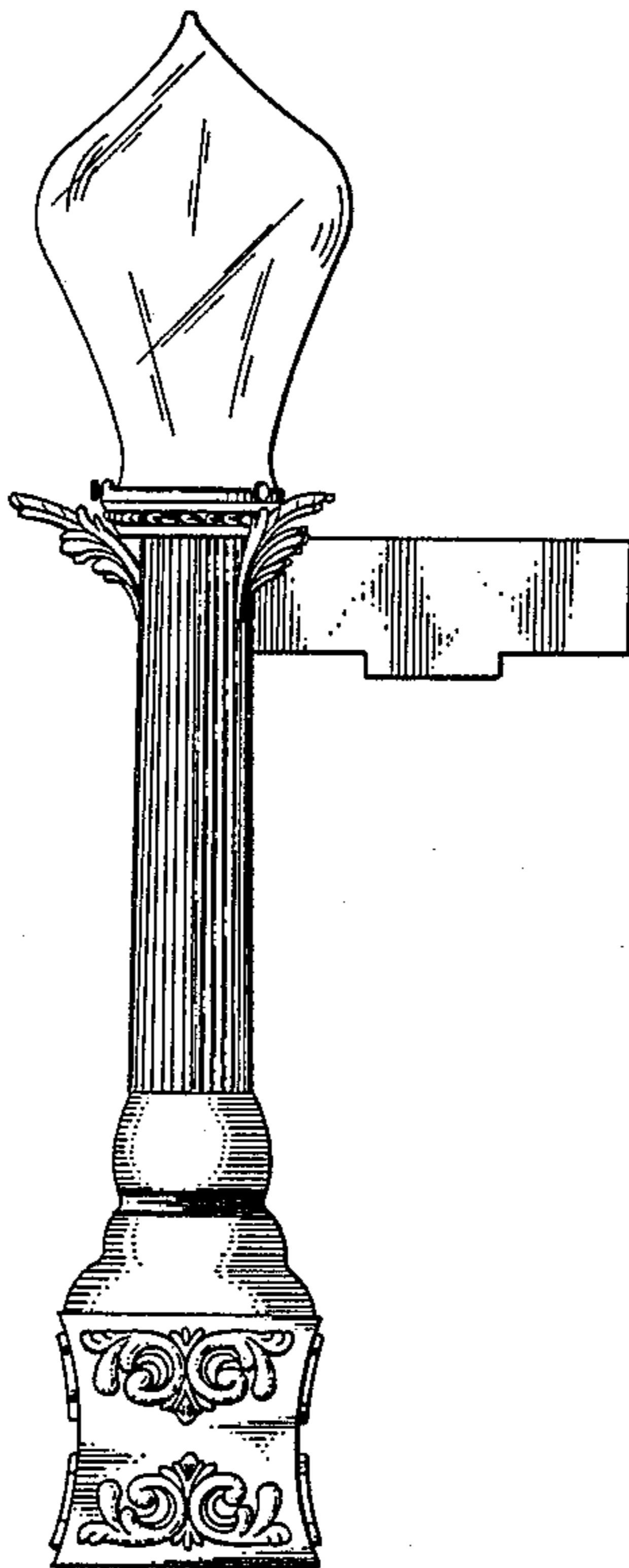


FIG. 1

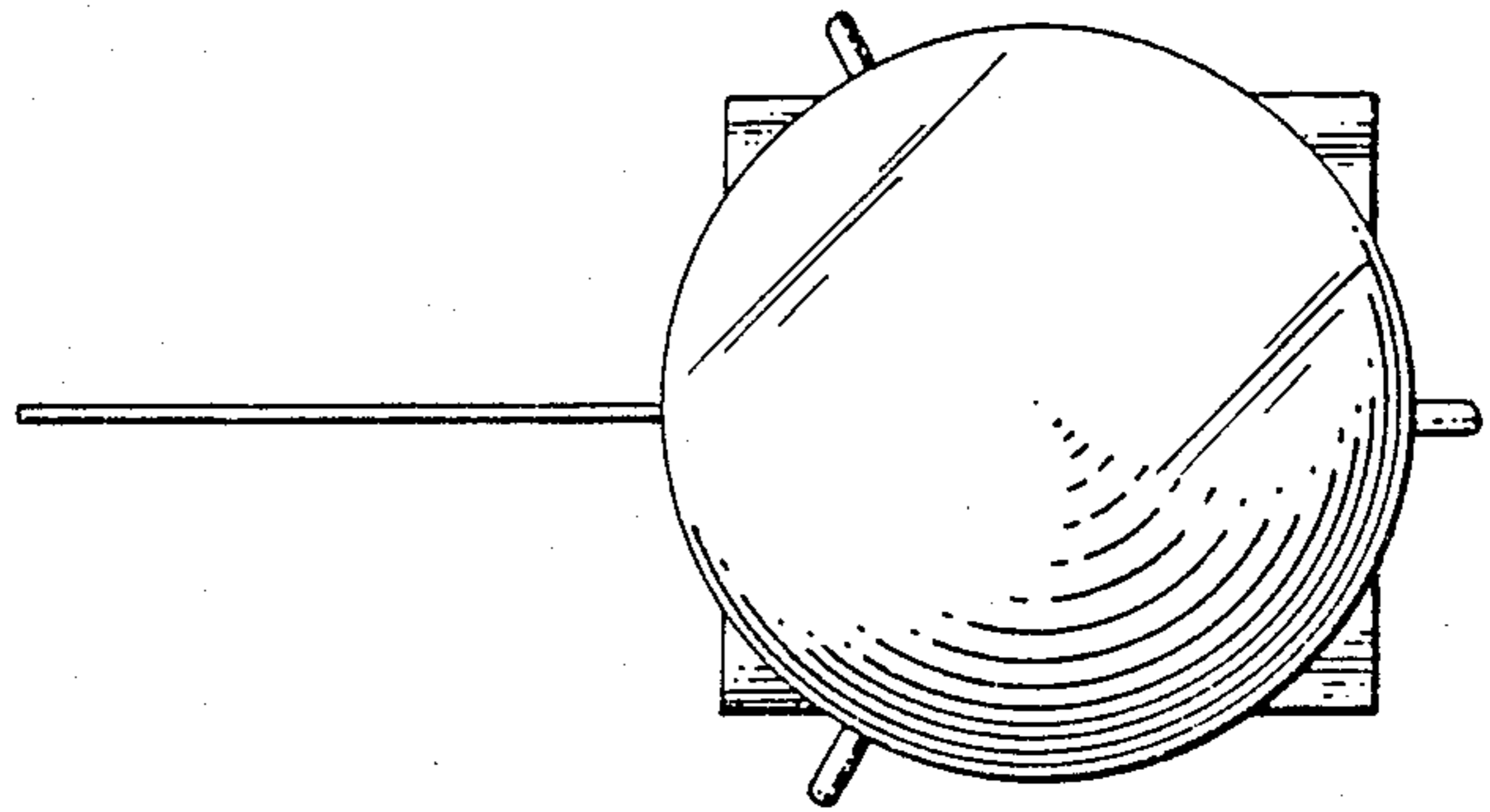
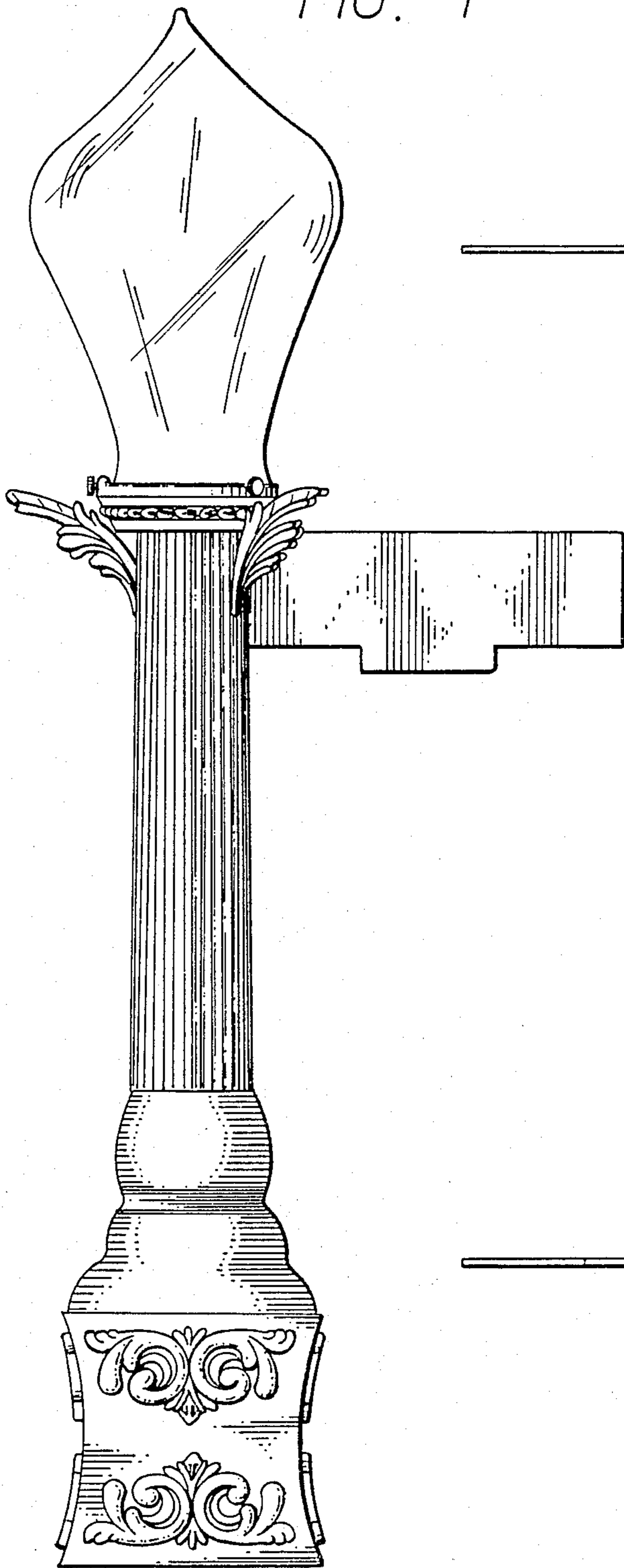


FIG. 2

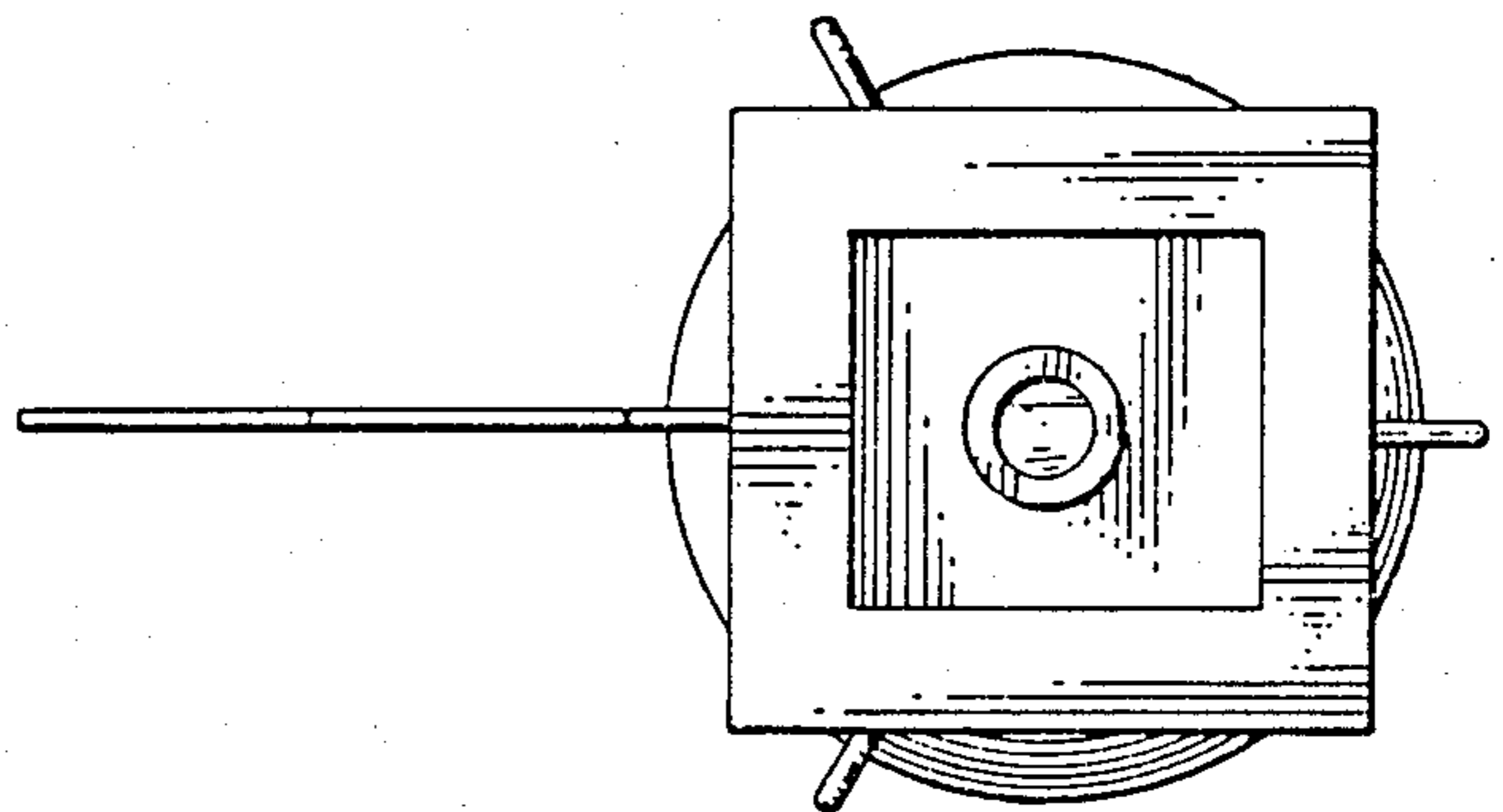


FIG. 3