

- [54] **FEMALE LUER CONNECTOR**
- [75] **Inventor: April A. Konopka, San Dimas, Calif.**
- [73] **Assignee: Pacemaker Infusion, Ltd., Sylmar, Calif.**
- [**] **Term: 14 Years**
- [21] **Appl. No.: 876,336**
- [22] **Filed: Jun. 19, 1986**
- [52] **U.S. Cl. D24/53**
- [58] **Field of Search D24/53, 51; 604/29, 604/8, 240-243, 280, 283, 403, 406, 905; 285/81, 92, 332, 340, 386**

- [56] **References Cited**
- U.S. PATENT DOCUMENTS**
- 3,876,234 4/1975 Harms 604/283 X
- 4,294,250 10/1981 Dennehey D24/53 X

- 4,601,701 7/1986 Mueller, Jr. 604/280 X
- 4,617,012 10/1986 Vaillancourt 604/283 X

FOREIGN PATENT DOCUMENTS

- 8101519 6/1981 PCT Int'l Appl. 604/283

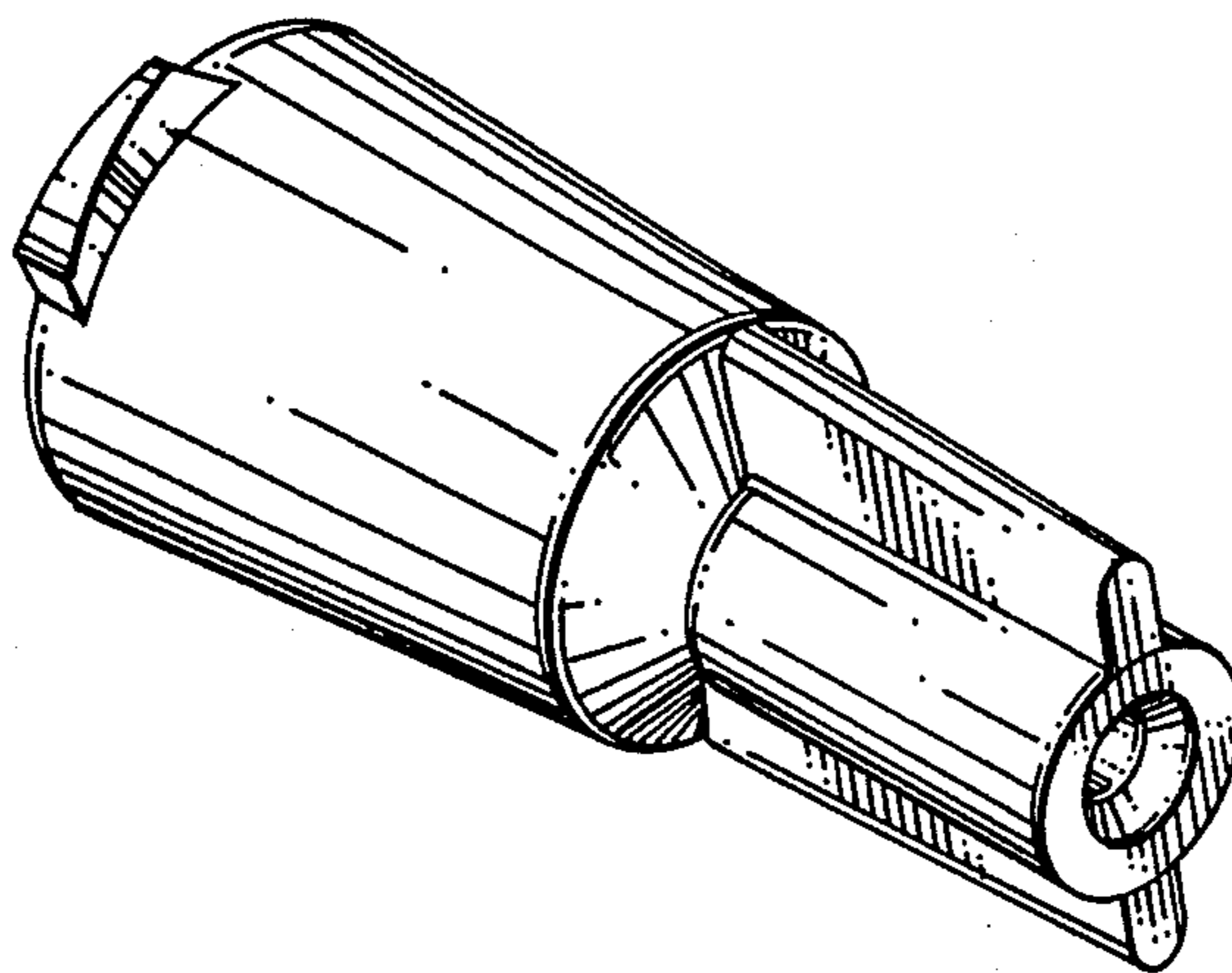
Primary Examiner—Wallace R. Burke
Assistant Examiner—Stella M. Reid
Attorney, Agent, or Firm—Leslie S. Miller

[57] **CLAIM**

The ornamental design for a female luer connector, as shown.

DESCRIPTION

FIG. 1 is a perspective view of a female luer connector, showing my new design;
 FIG. 2 is a front elevational view thereof;
 FIG. 3 is a side elevational view thereof;
 FIG. 4 is a top plan view thereof; and
 FIG. 5 is a bottom plan view thereof.



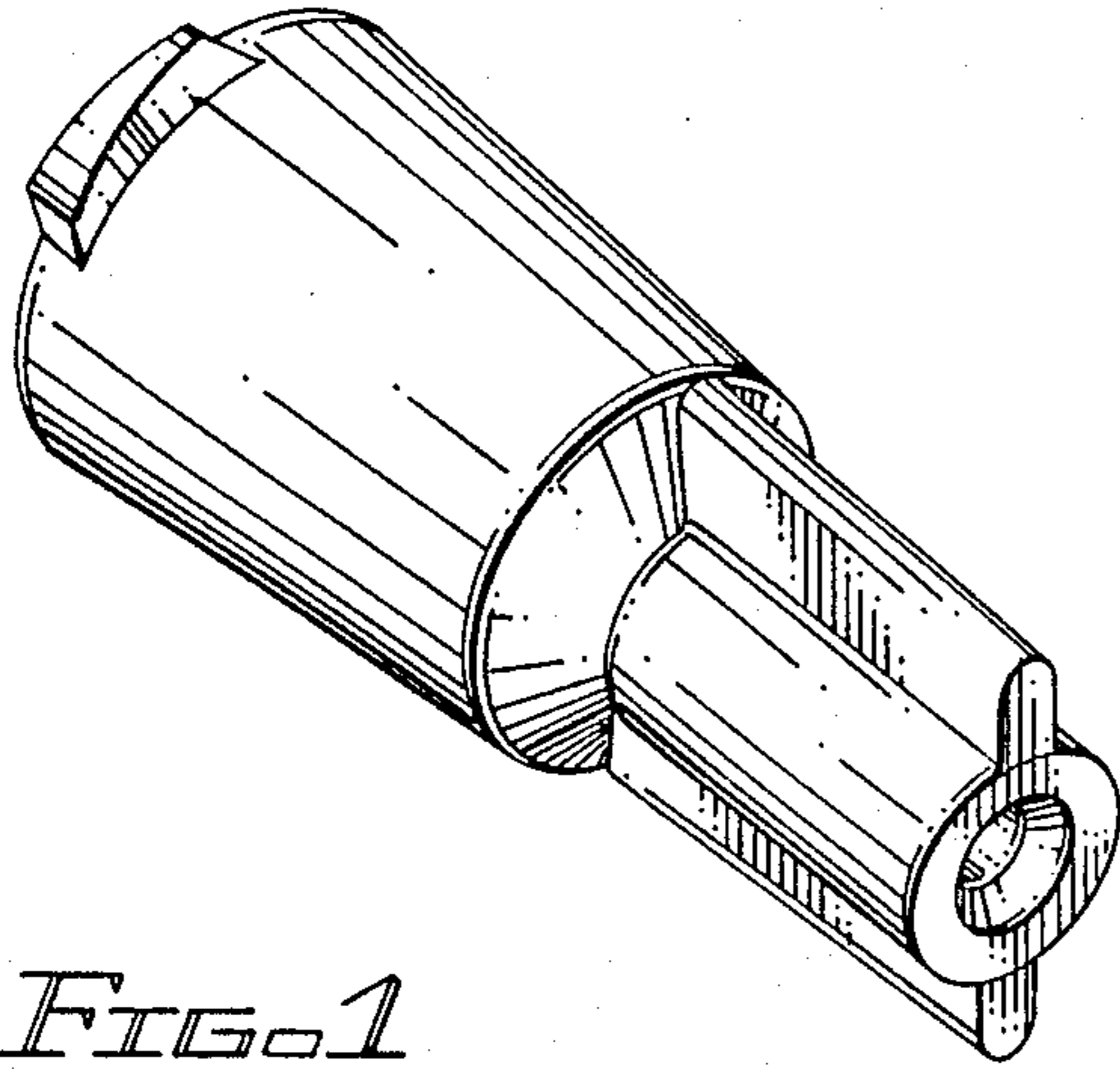


FIG. 1

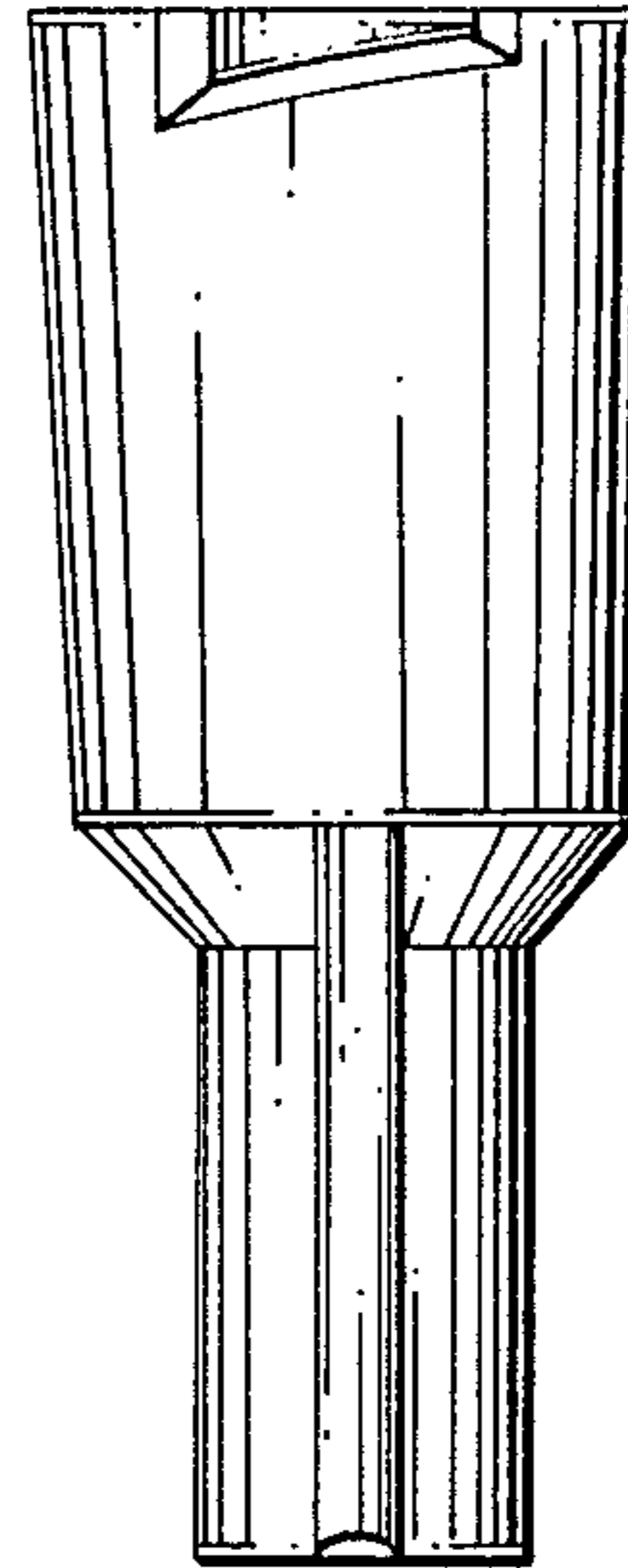


FIG. 3

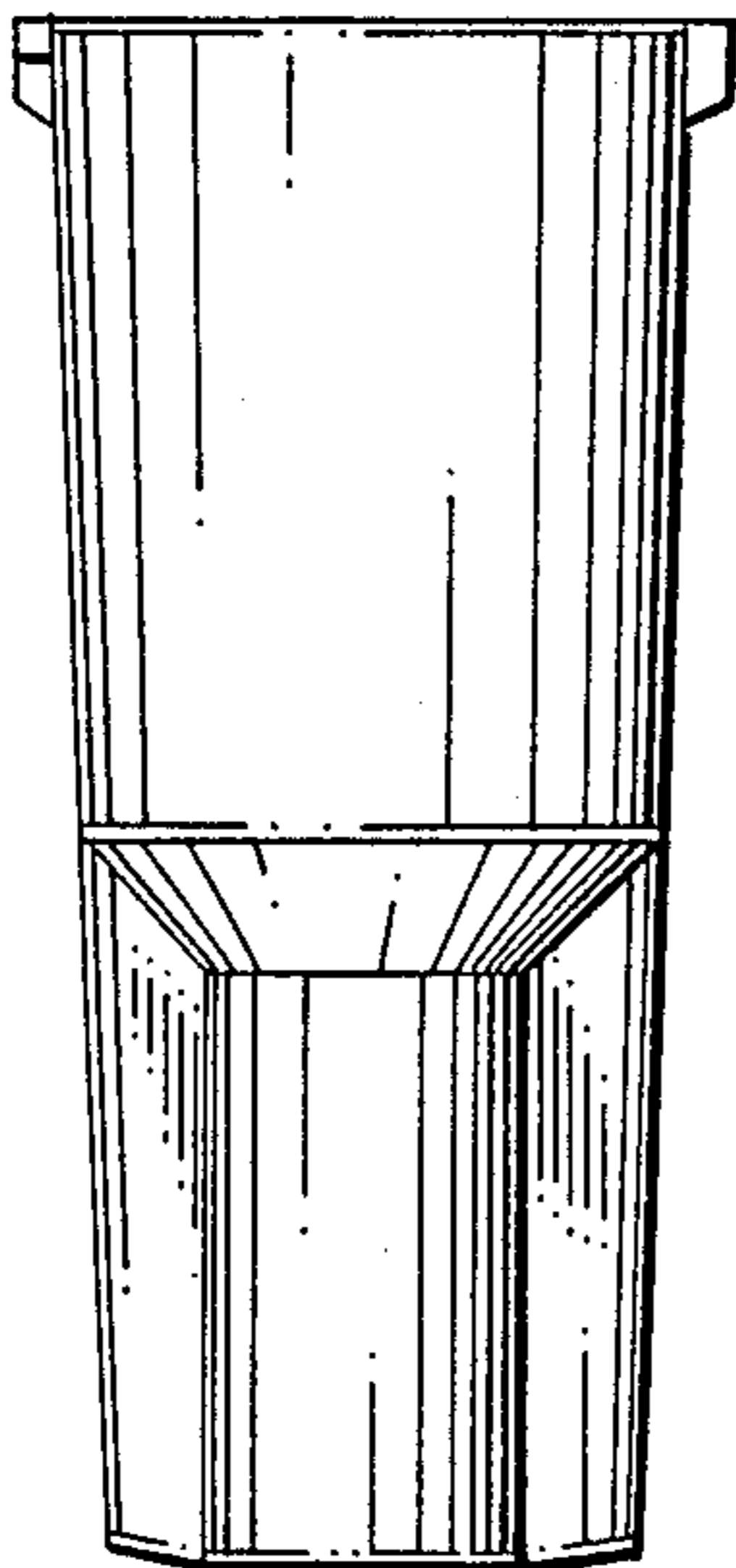


FIG. 2

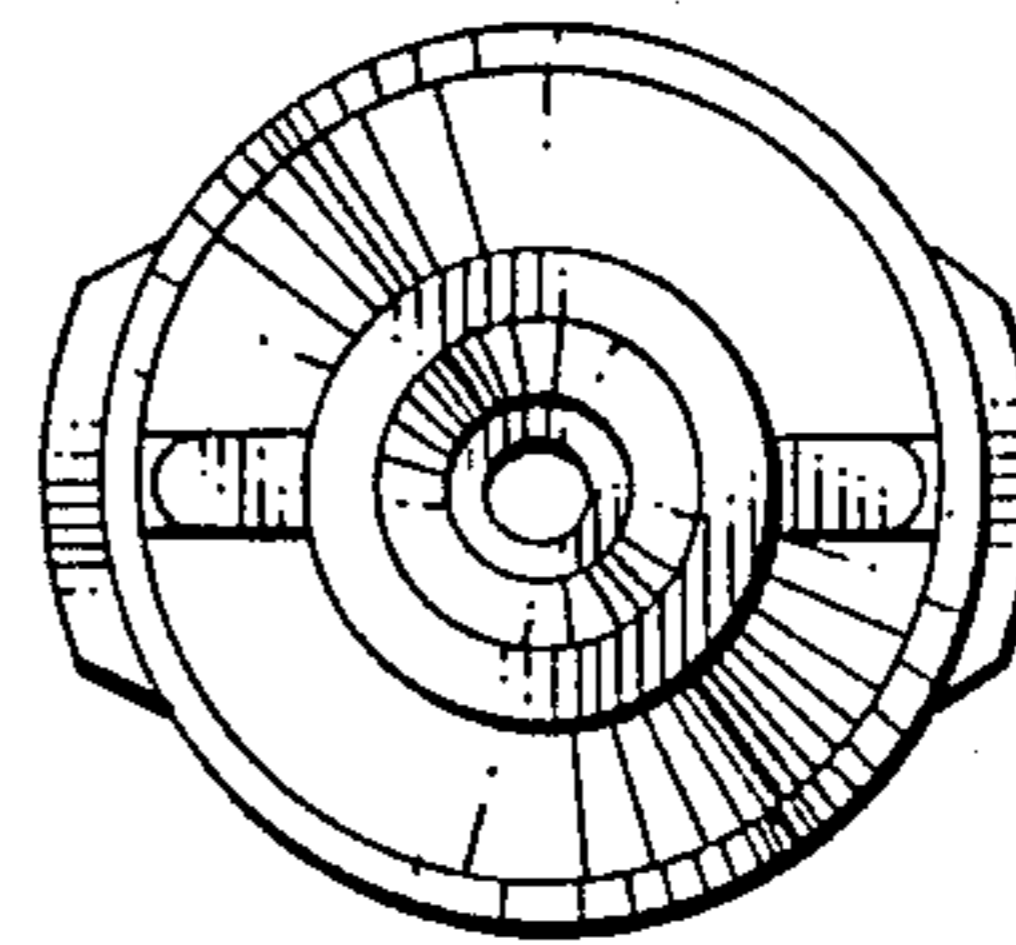


FIG. 4

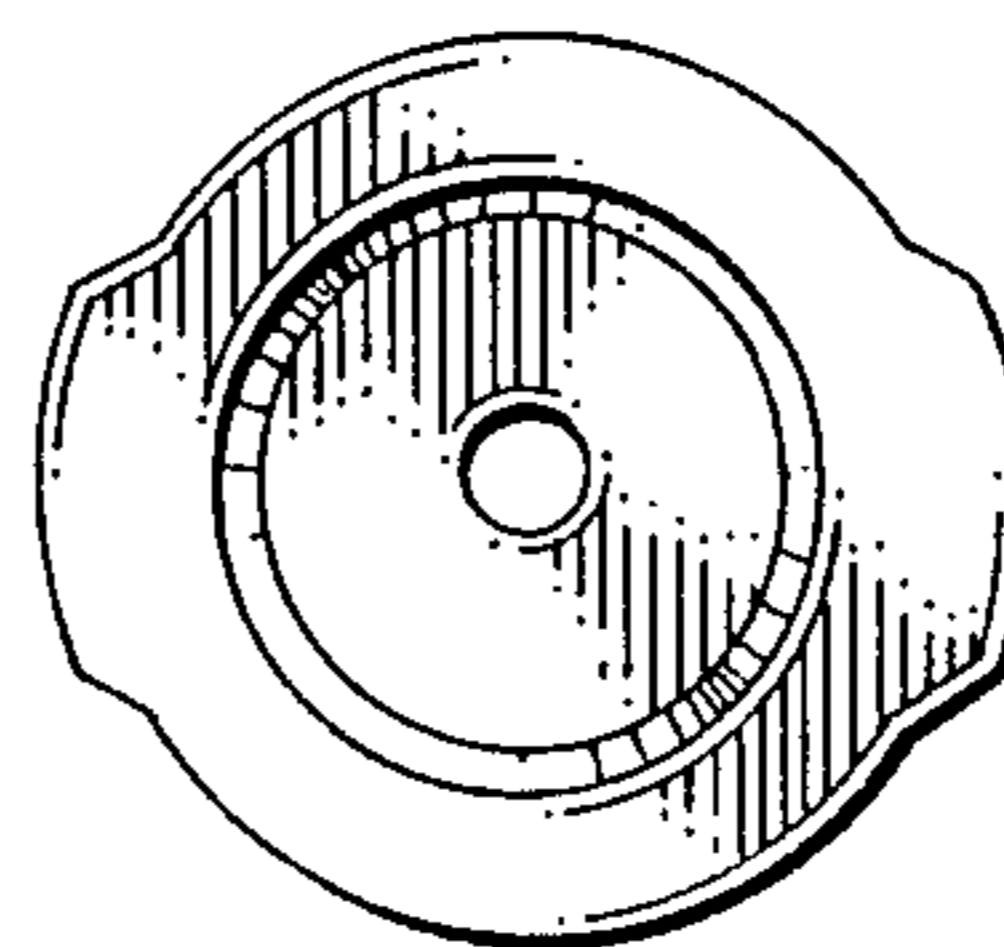


FIG. 5