

[54] ELECTROPHORESIS SEQUENCING APPARATUS TRAY

[75] Inventors: Robert W. Flesher, Baltimore; Kevin T. Barnes; Robert W. Blakesley, both of Frederick; Robert W. Lynn, Germantown, all of Md.

[73] Assignee: Life Technologies, Inc., Gaithersburg, Md.

[**] Term: 14 Years

[21] Appl. No.: 10,112

[22] Filed: Feb. 2, 1987

[52] U.S. Cl. D24/31; D24/8

[58] Field of Search D24/8, 31, 1.1; 204/299

4,323,439	4/1982	O'Farrell .	
4,325,796	4/1982	Hoefler et al. .	
4,337,131	6/1982	Vesterberg .	
4,358,358	11/1982	Rhodes .	
4,374,723	2/1983	Vesterberg .	
4,383,905	5/1983	Richman .	
4,415,418	11/1983	Turre	204/180 G
4,545,878	10/1985	Bridges .	
4,574,040	3/1986	Delony et al. .	
4,576,693	3/1986	Kreisher et al. .	
4,576,702	3/1986	Peck et al. .	
4,576,703	3/1986	Peck et al. .	
4,588,491	5/1986	Kreisher et al. .	
4,618,408	10/1986	Malavarca et al. .	
4,622,123	11/1986	Nejame, Jr.	204/299 R
4,624,768	11/1986	Yoshida et al. .	
4,657,655	4/1987	Smoot	204/299 R
4,663,015	5/1987	Sleeter et al.	204/299 R
4,772,373	9/1988	Ebata et al.	204/299 R
4,784,738	11/1988	Sleeter et al.	204/299 R X

[56] References Cited

U.S. PATENT DOCUMENTS

D. 266,150	9/1982	Boros	D24/8 X
D. 269,123	5/1983	Hoefler	D24/1.1
D. 282,352	1/1986	Hoefler et al.	D24/8 X
3,129,158	4/1964	Raymond et al. .	
3,222,053	12/1965	Severdia	269/91
3,677,930	7/1972	Meshbane	204/299
3,819,505	6/1974	Parent	204/299
3,847,773	11/1974	Snyder	204/183.1
3,856,656	12/1974	Brink	D24/8 X
3,932,265	1/1976	Hoefler	204/299 R
3,969,218	7/1976	Scott	204/299 R
3,989,612	11/1976	Kragt et al. .	
4,035,377	7/1977	Detroy .	
4,049,534	9/1977	Posner .	
4,061,560	12/1977	Hannig et al. .	
4,061,561	12/1977	Fletcher	204/299 R
4,123,346	10/1978	Ploix .	
4,124,470	11/1978	Dahms .	
4,142,960	3/1979	Hahn et al. .	
4,151,065	4/1979	Kaplan et al. .	
4,154,669	5/1979	Goetz .	
4,187,160	2/1980	Zimmermann .	
4,190,510	2/1980	Larbig .	
4,194,963	3/1980	Denckla .	
4,218,302	8/1980	Dalisa et al. .	
4,234,400	11/1980	Kaplan et al. .	
4,284,491	8/1981	Vesterberg .	
4,289,596	9/1981	Satoh .	
4,292,161	9/1981	Hoefler et al. .	

FOREIGN PATENT DOCUMENTS

552373 3/1977 U.S.S.R. .

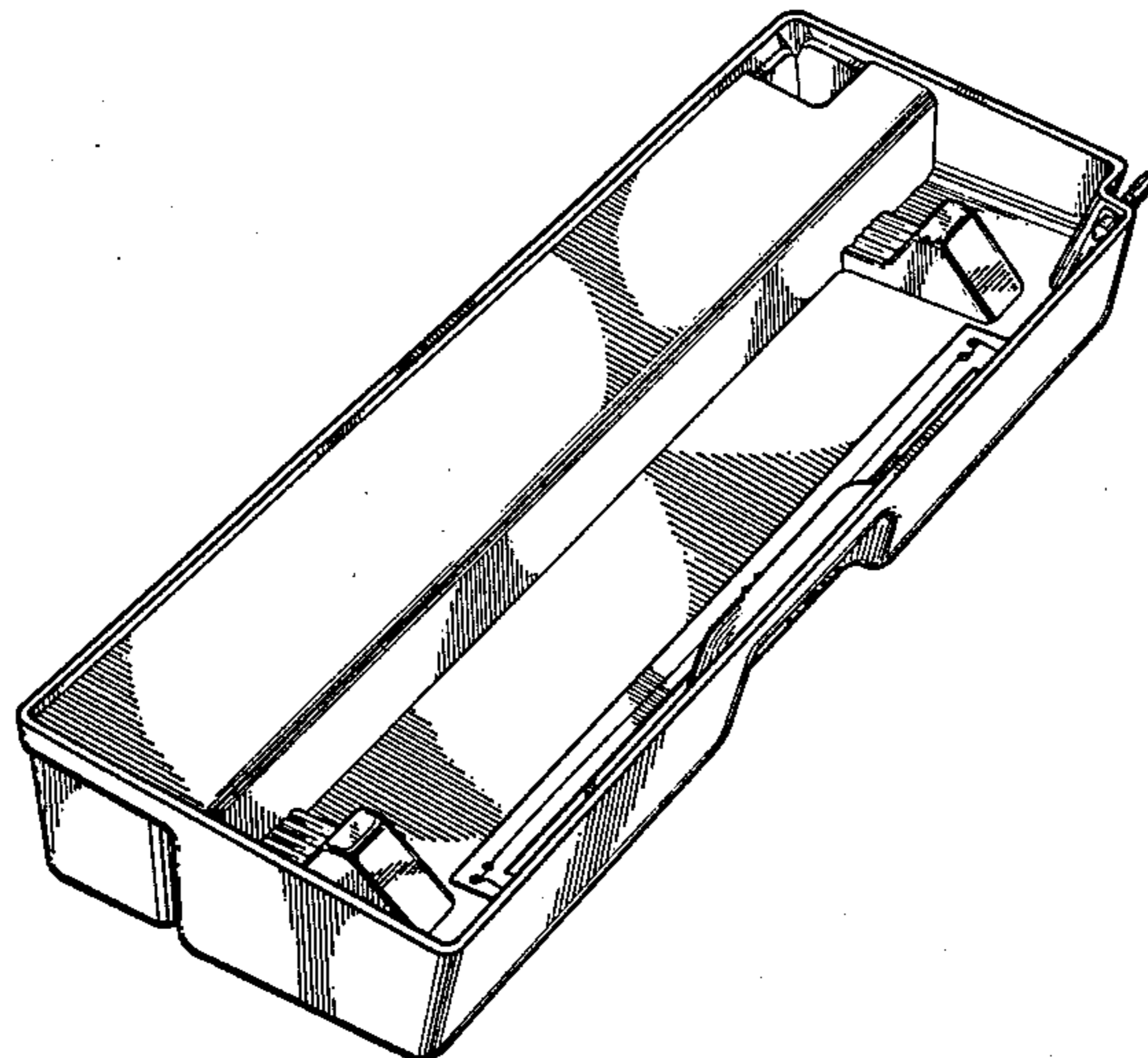
OTHER PUBLICATIONS

"Hoefler Scientific Instruments" catalog, pp. 26-33 [©1983 handwritten].
 McDonell, "Analysis of Restriction Fragments of T7 DNA and Determination of Molecular Weights by Electrophoresis in Neutral and Alkaline Gels" Jnl. Mol. Biol. 110, pp. 119-146.
 "The Astec Band-It" (advertisement).
 "Apparatus for Sequencing" (Model STS-45) (advertisement).
 "Macrophor System" (advertisement).
 "New Sequi-Gen™ Nucleic Acid Sequencing System" (advertisement).
 "Poker Face® Nucleic Acid Sequencer" (advertisement).

Primary Examiner—Wallace R. Burke
 Assistant Examiner—Stella M. Reid
 Attorney, Agent, or Firm—Saidman, Sterne Kessler & Goldstein

[57] CLAIM

The ornamental design for an electrophoresis sequencing apparatus tray, as shown.



DESCRIPTION

FIG. 1 is a perspective view of an electrophoresis sequencing apparatus tray, showing our new design;
FIG. 2 is a right side elevational view thereof;

FIG. 3 is a left side elevational view thereof;
FIG. 4 is a top plan view thereof;
FIG. 5 is a front elevational view thereof;
FIG. 6 is a bottom plan view thereof; and
FIG. 7 is a rear elevational view thereof.

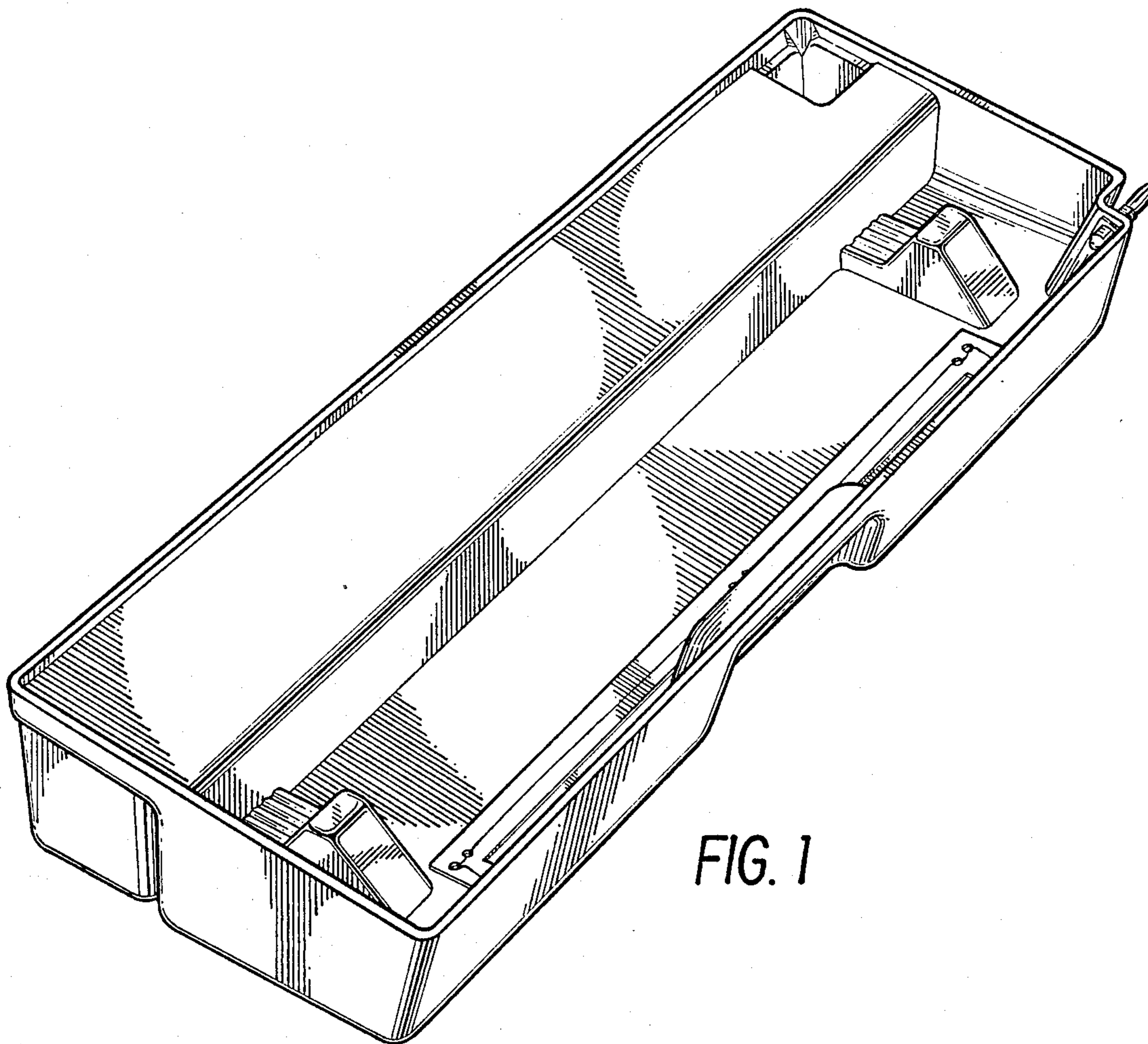


FIG. 1

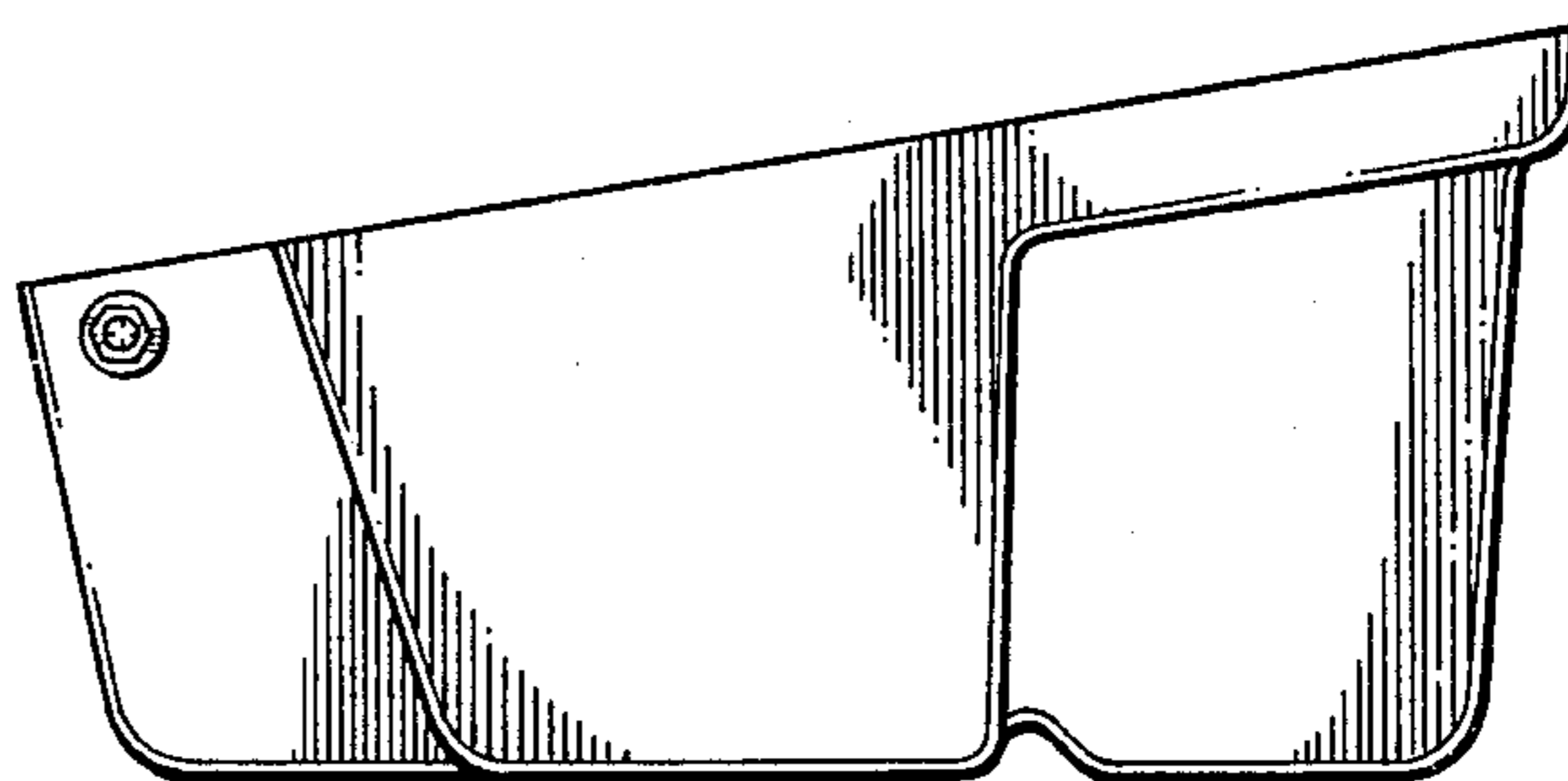


FIG. 2

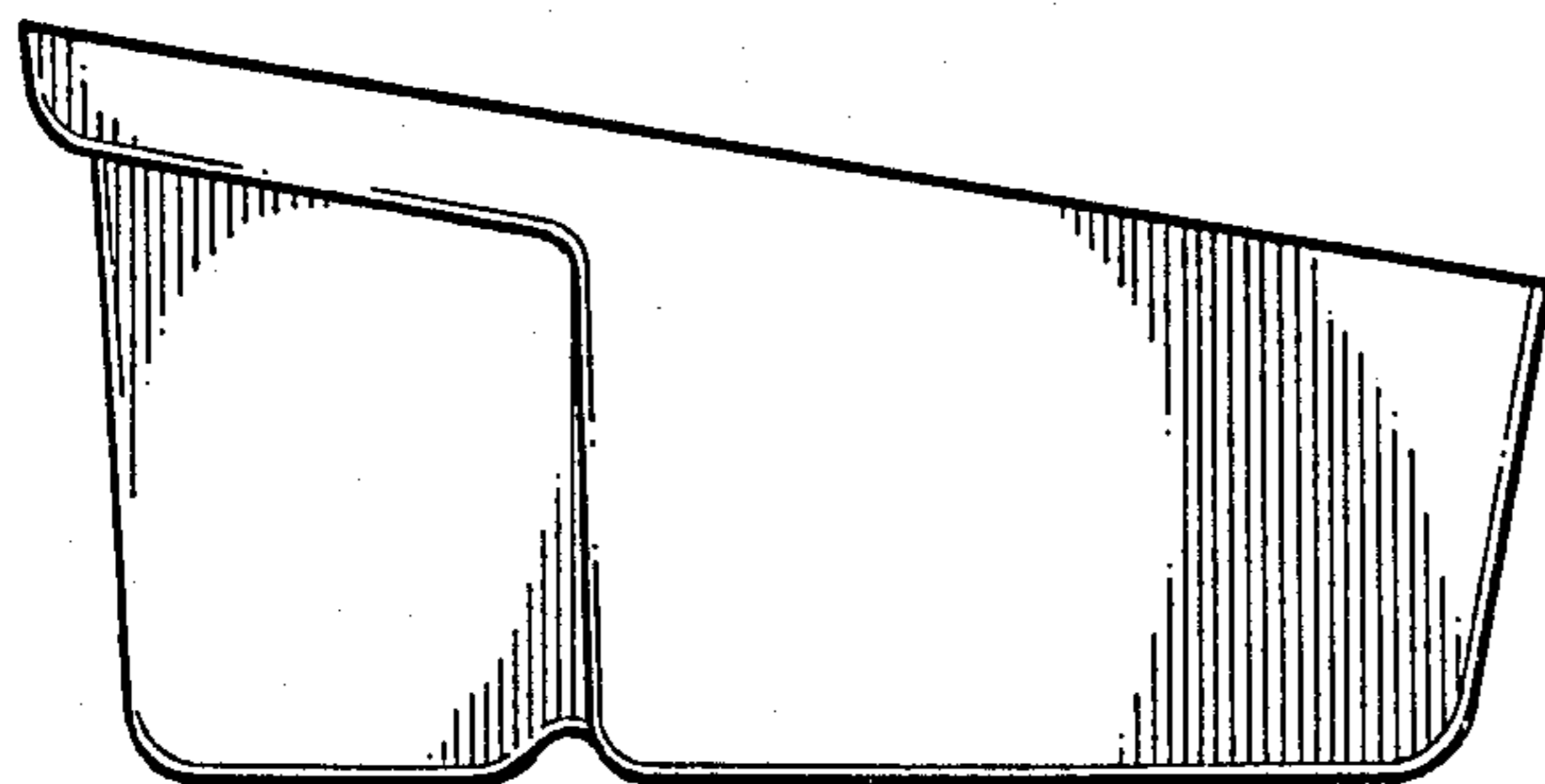


FIG. 3

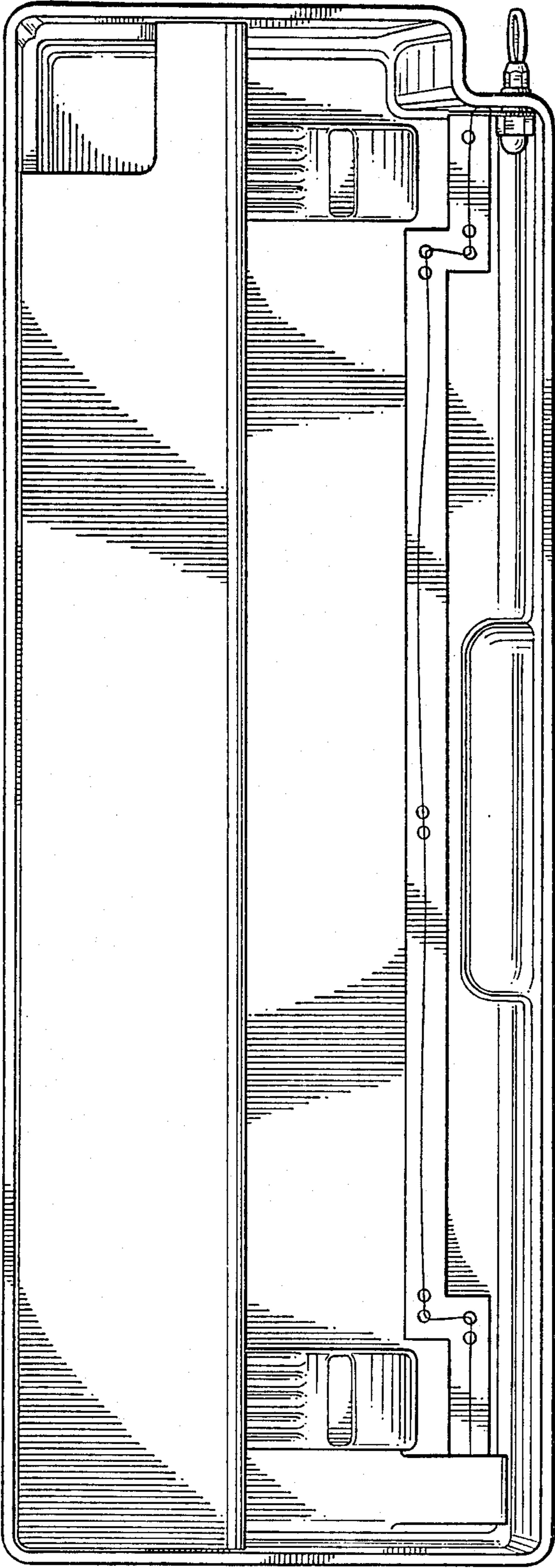


FIG. 4

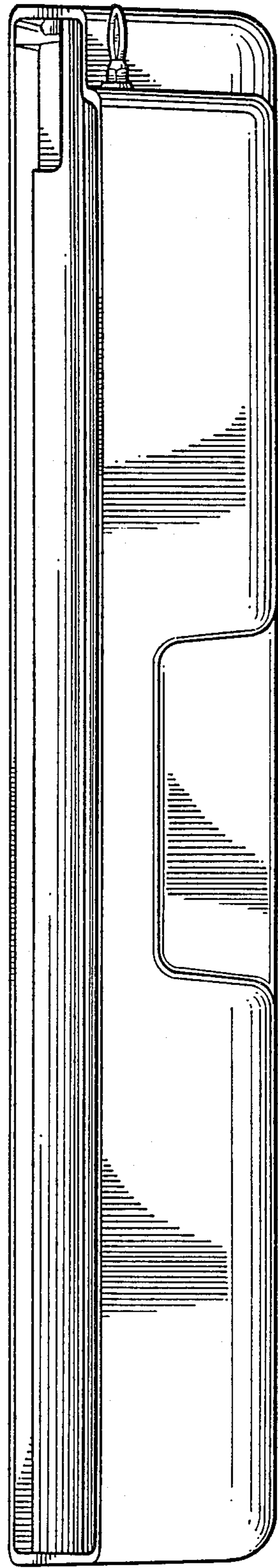


FIG. 5

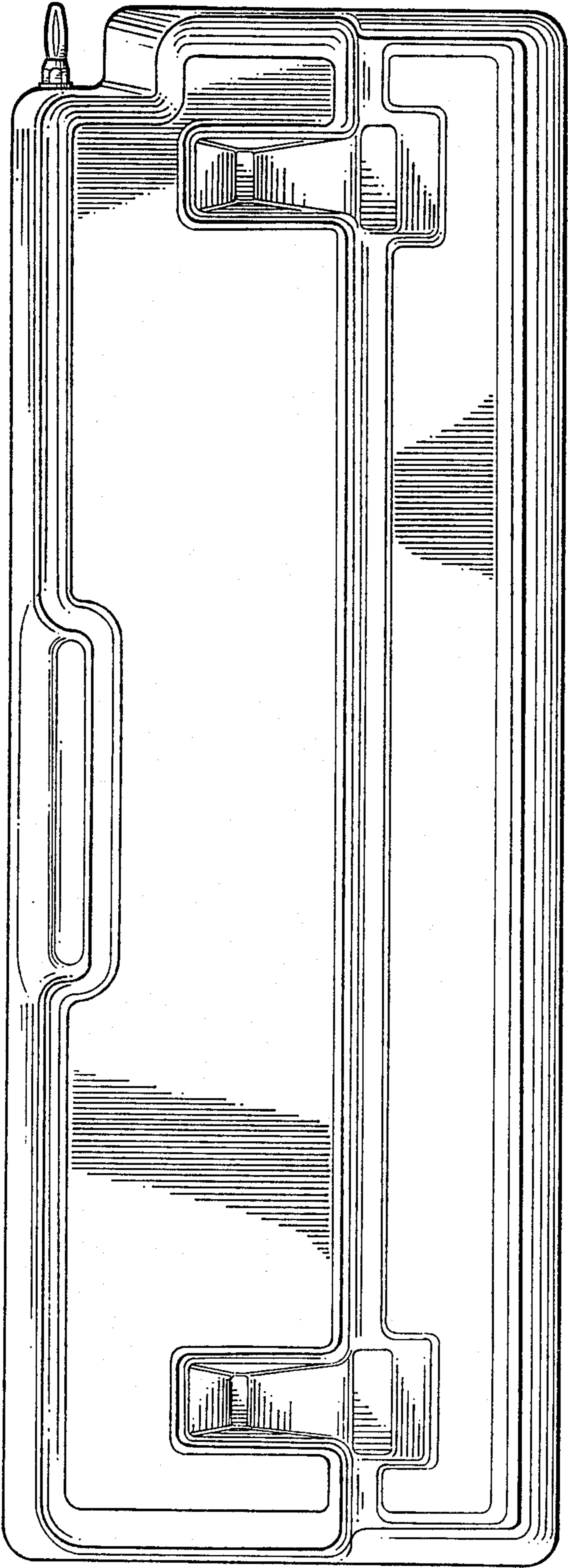


FIG. 6

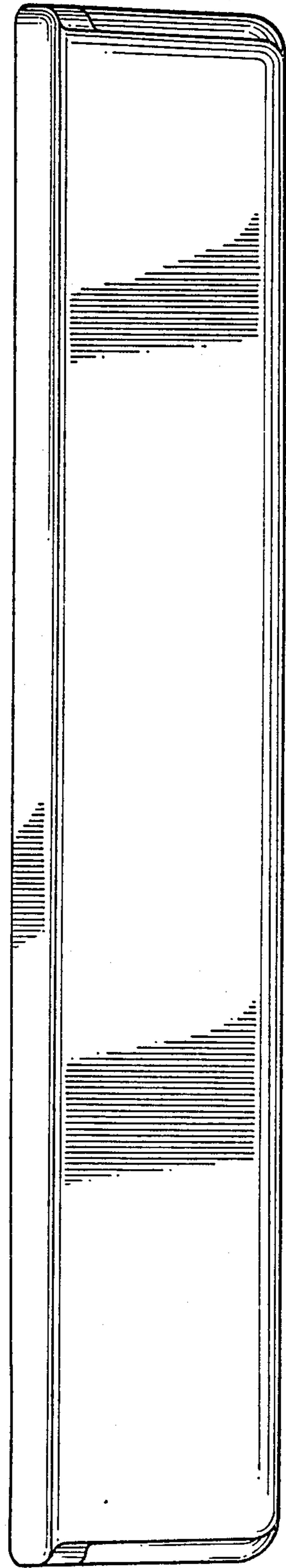


FIG. 7