

[54] INJECTOR FOR INTRODUCING CONTRAST AGENTS INTO BLOOD VESSELS

[75] Inventor: Lynn S. Jabbusch, La Mesa, Calif.

[73] Assignee: Advanced Cardiovascular Systems, Inc., Mountain View, Calif.

[**] Term: 14 Years

[21] Appl. No.: 30,825

[22] Filed: Mar. 25, 1987

[52] U.S. Cl. D24/24

[58] Field of Search D24/24, 8, 54; 128/343, 128/344; 604/97-100, 53, 121, 187, 211, 218, 224, 227, 236

[56] References Cited

U.S. PATENT DOCUMENTS

- D. 202,754 11/1965 Naftolin et al. D24/24
- D. 274,470 6/1984 Lundquist D24/54
- D. 289,434 4/1987 Morrison et al. D24/24

- 2,695,023 11/1954 Brown D24/24 X
- 4,332,254 6/1982 Lundquist 128/344
- 4,439,185 3/1984 Lundquist 604/97

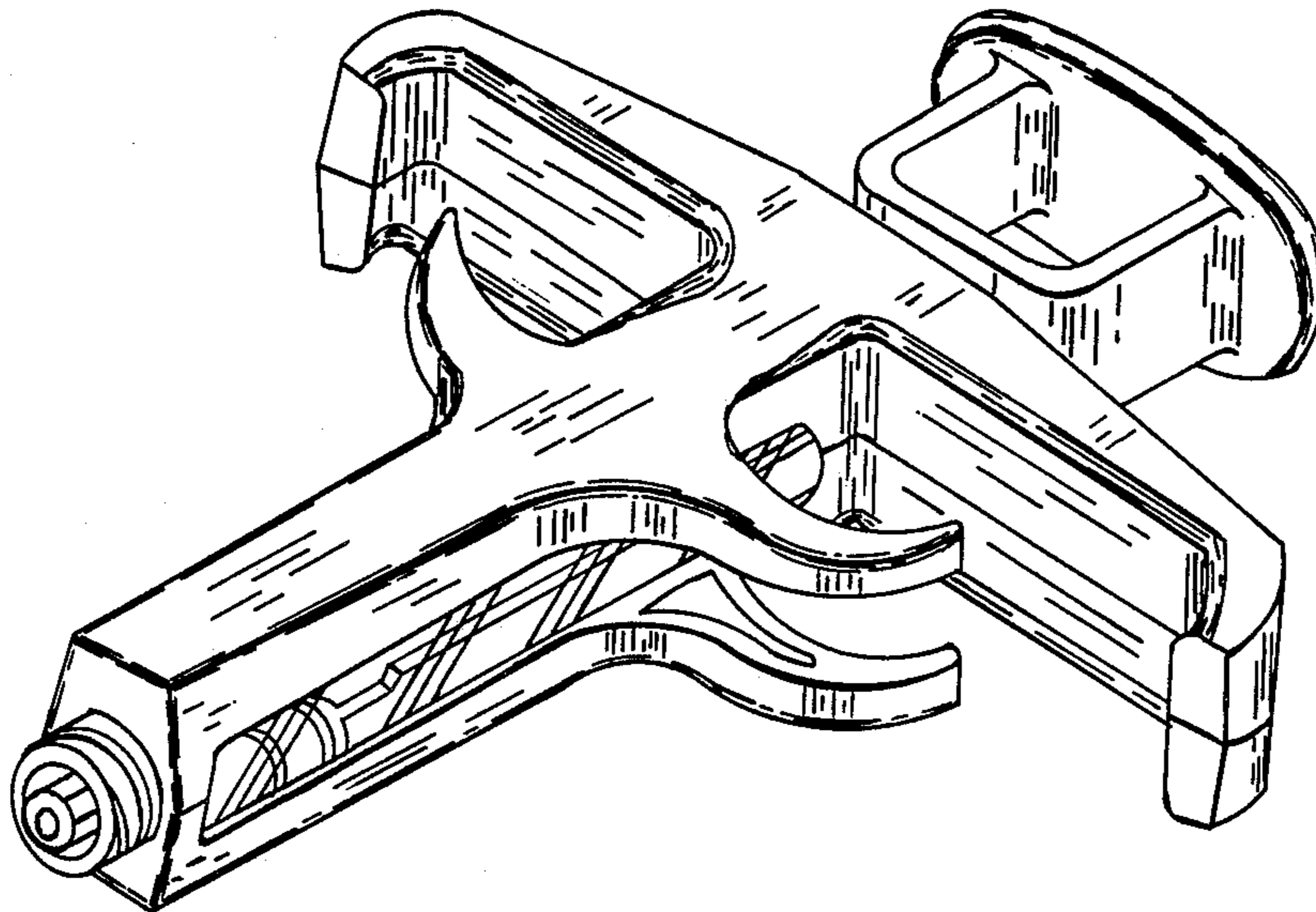
Primary Examiner—Wallace R. Burke
Assistant Examiner—Stella M. Reid
Attorney, Agent, or Firm—Fulwider, Patton, Rieber, Lee & Utecht

[57] CLAIM

The ornamental design for an injector for introducing contrast agents into blood vessels, as shown.

DESCRIPTION

FIG. 1 is a perspective view of an injector for introducing contrast agents into blood vessels, showing my new design;
FIG. 2 is a rear end elevational view thereof;
FIG. 3 is a front end elevational view thereof;
FIG. 4 is a top plan view thereof, the bottom view being identical thereto;
FIG. 5 is a side elevational view thereof, the opposite side being identical thereto.



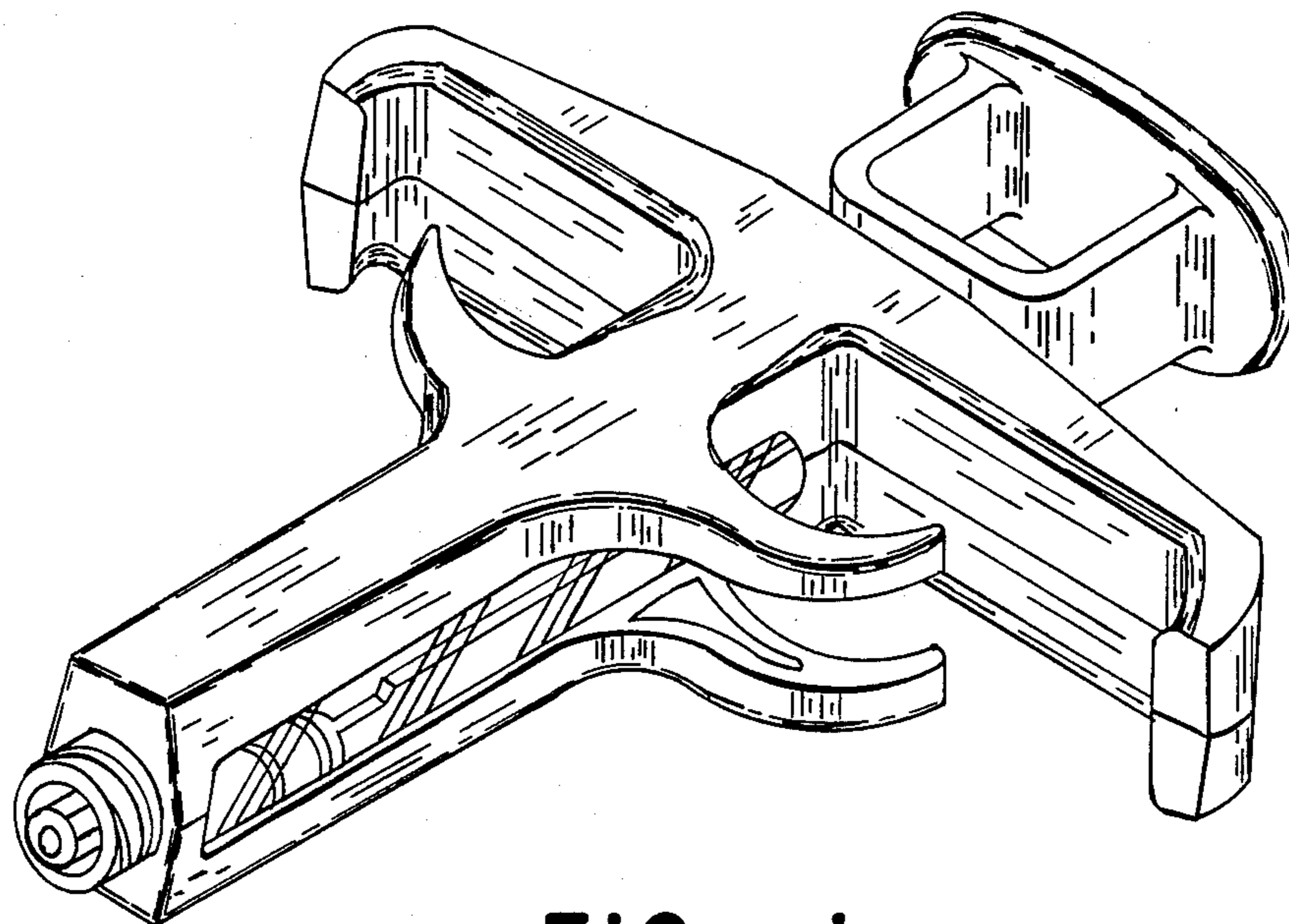


FIG. - 1

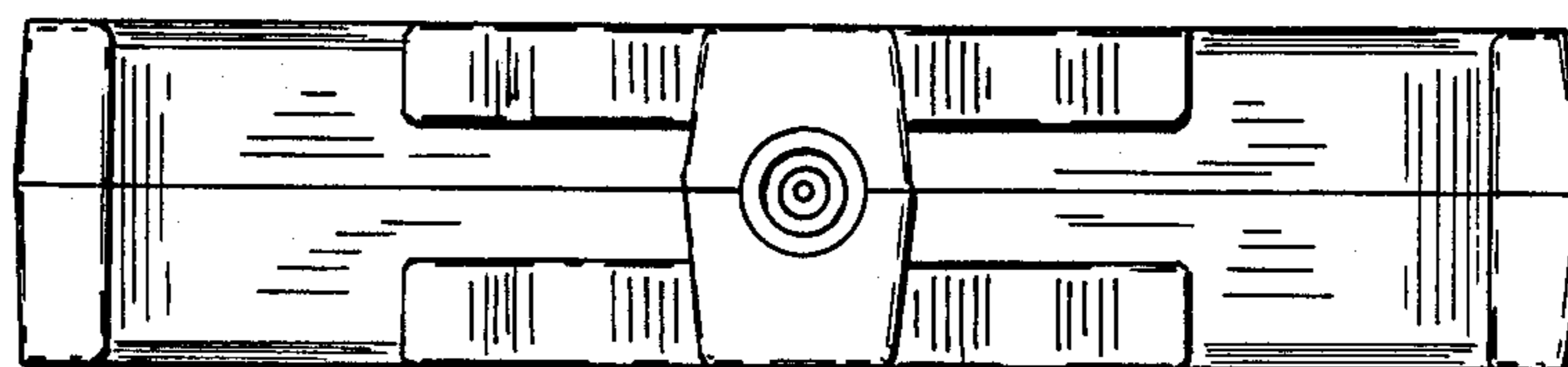


FIG. - 2

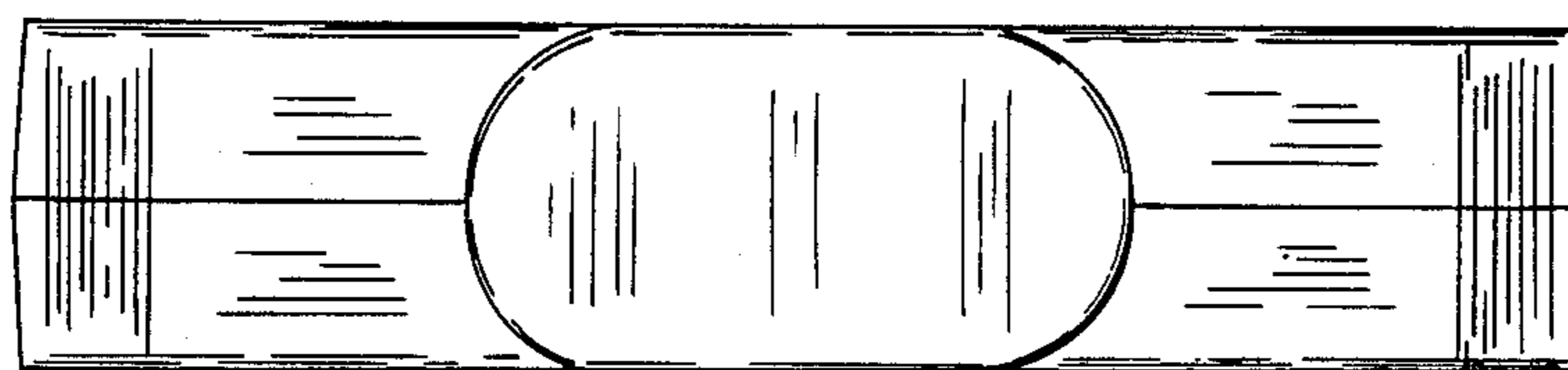


FIG. - 3

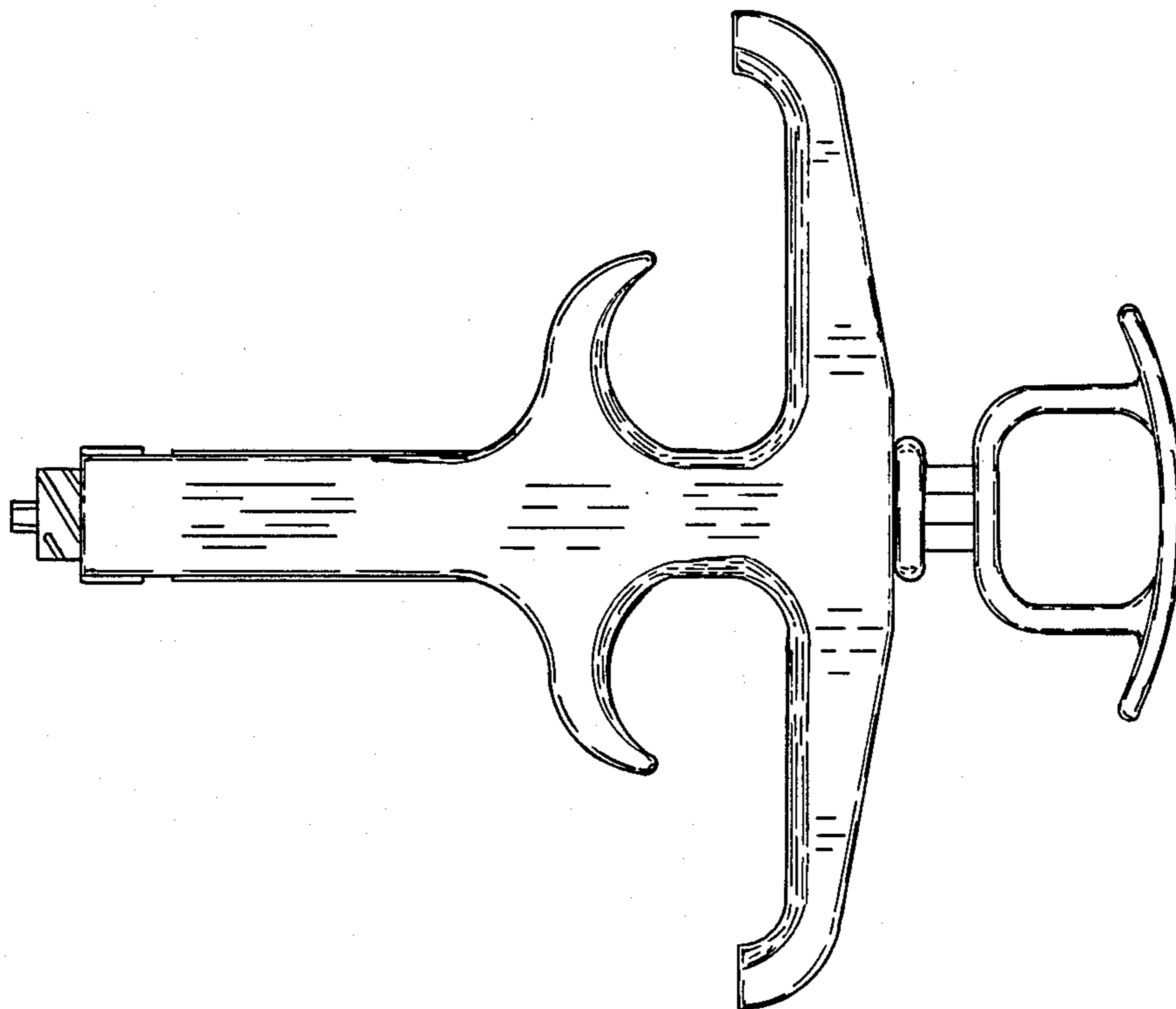


FIG. - 4

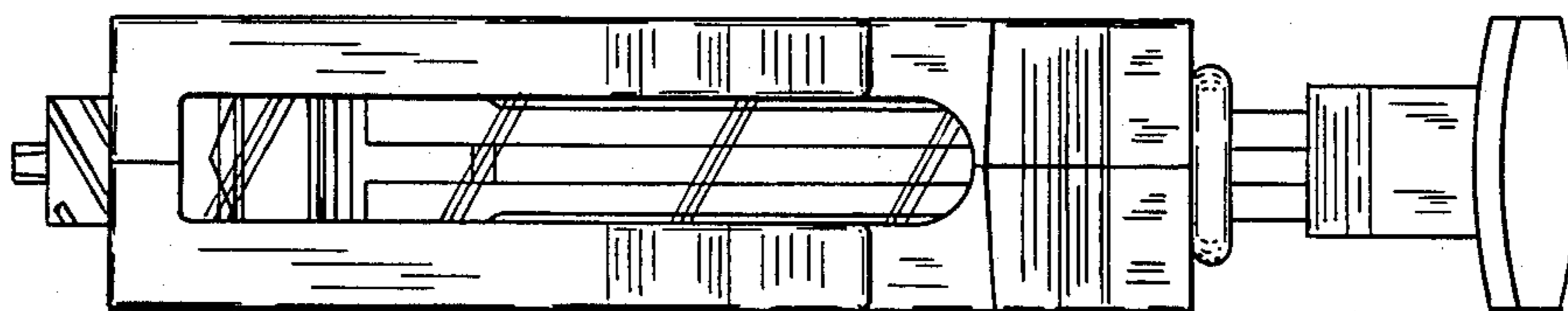


FIG. - 5