

[54] FISHING ROD HOLDER

[76] Inventor: Napoleon Combs, 3771 Second Ave., Grove City, Ohio 43123

[**] Term: 14 Years

[21] Appl. No.: 38,920

[22] Filed: Apr. 16, 1987

[52] U.S. Cl. D22/147

[58] Field of Search D22/147; 43/21.2, 15; 248/514, 512, 538; 224/922

[56] References Cited

U.S. PATENT DOCUMENTS

D. 219,972	2/1971	Bennett et al.	D22/147
D. 233,036	10/1974	Hoover	D22/147
2,491,008	12/1949	Lake	224/922 X
4,012,861	3/1977	Gellatly	D22/147 X
4,676,019	6/1987	Engles	43/21.2
4,753,029	6/1988	Shaw et al.	43/21.2

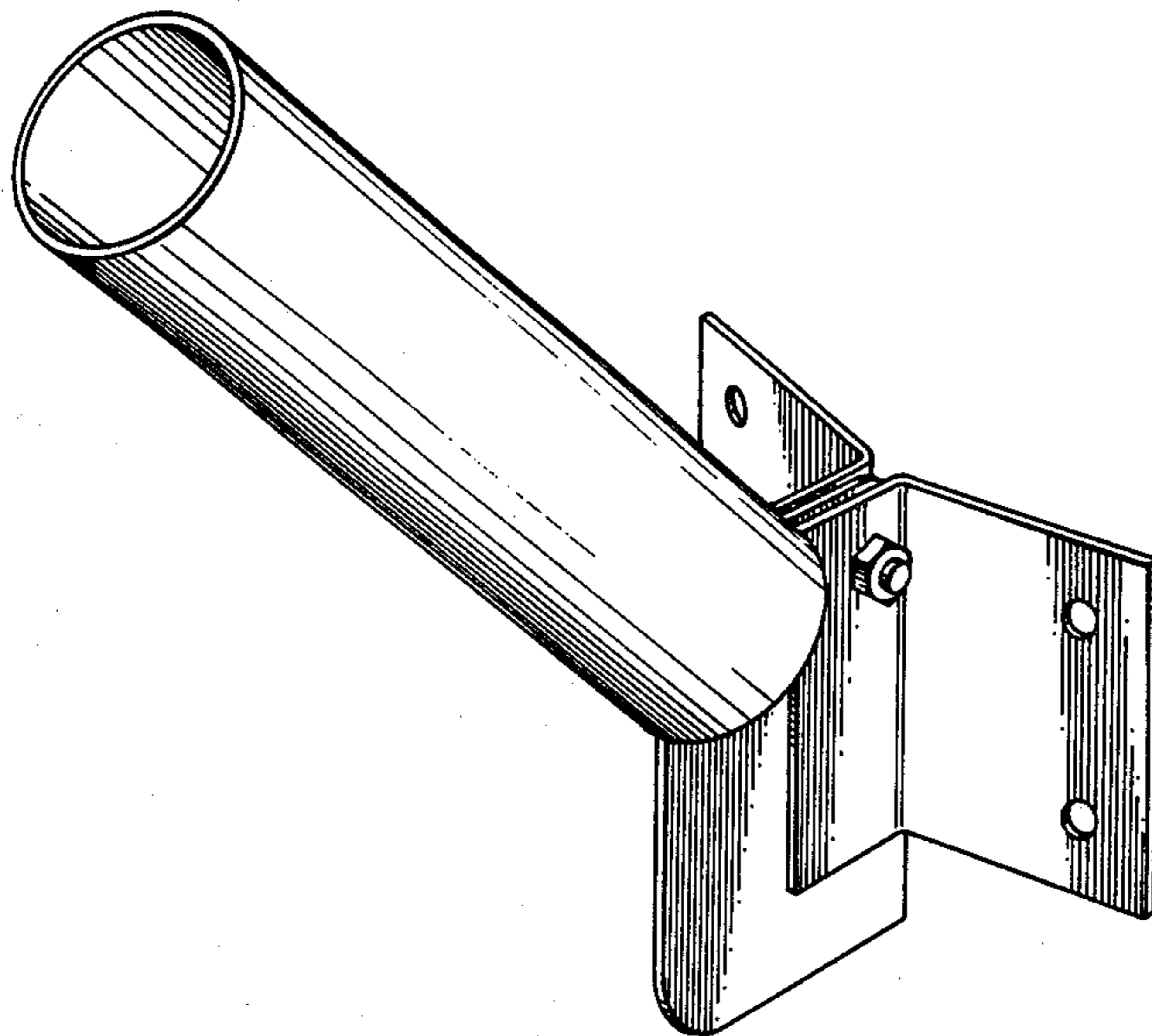
Primary Examiner—A. Hugo Word
Attorney, Agent, or Firm—Renner, Kenner, Greive, Bobak, Taylor & Weber

[57] CLAIM

The ornamental design for a fishing rod holder, as shown and described.

DESCRIPTION

FIG. 1 is a perspective view of a fishing rod holder embodying my new design.
 FIG. 2 is a side elevational view thereof.
 FIG. 3 is a front elevational view thereof.
 FIG. 4 is a rear elevational view thereof.
 FIG. 5 is a top plan view thereof.
 FIG. 6 is a perspective view of a first alternative embodiment of a fishing rod holder embodying my new design.
 FIG. 7 is a side elevational view thereof.
 FIG. 8 is a front elevational view thereof.
 FIG. 9 is a rear elevational view thereof.
 FIG. 10 is a top plan view thereof.
 FIG. 11 is a perspective view of a second alternative embodiment of a fishing rod holder embodying my new design.
 FIG. 12 is a side elevational view thereof.
 FIG. 13 is a front elevational view thereof.
 FIG. 14 is a rear elevational view thereof.
 FIG. 15 is a top plan view thereof.



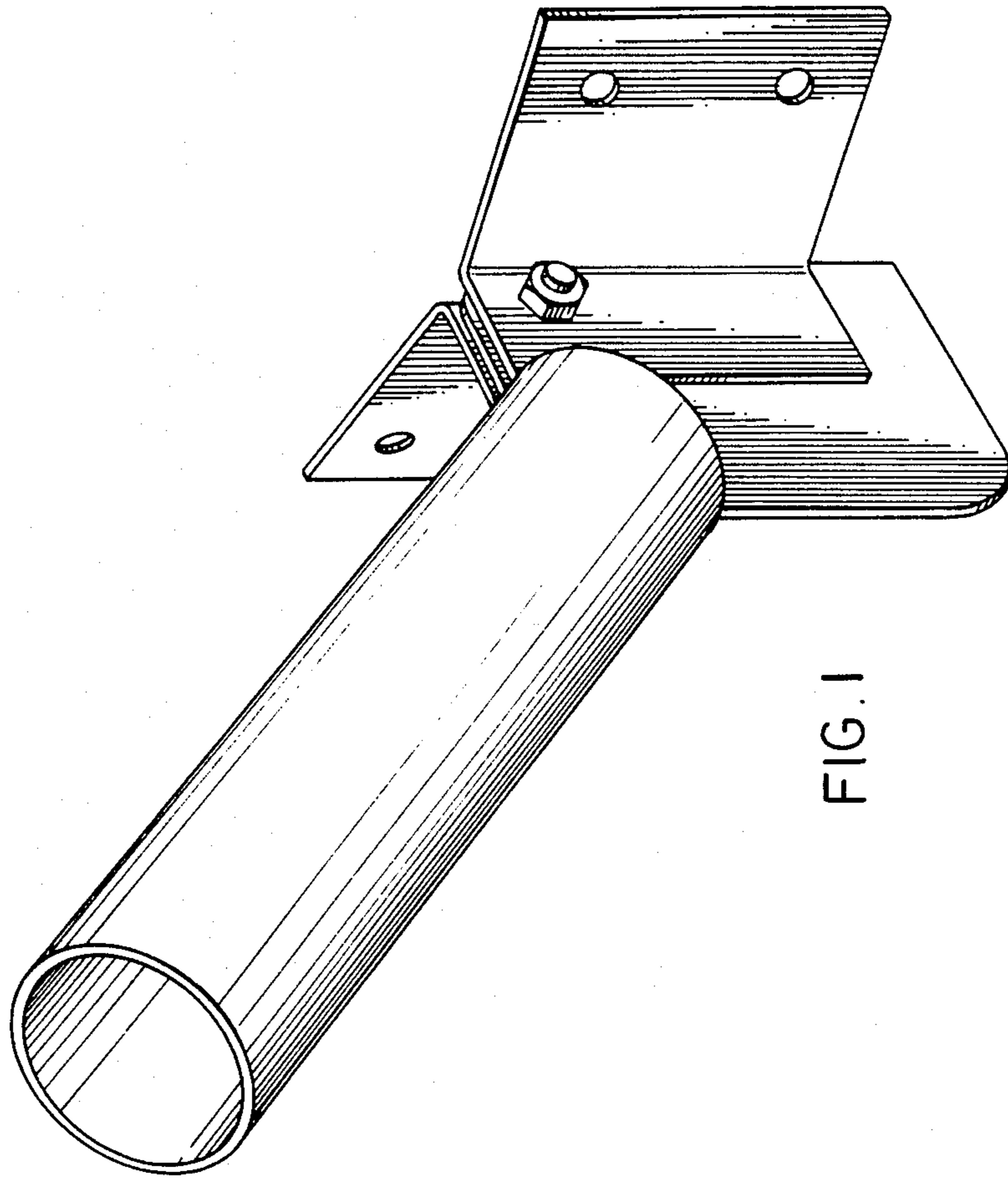
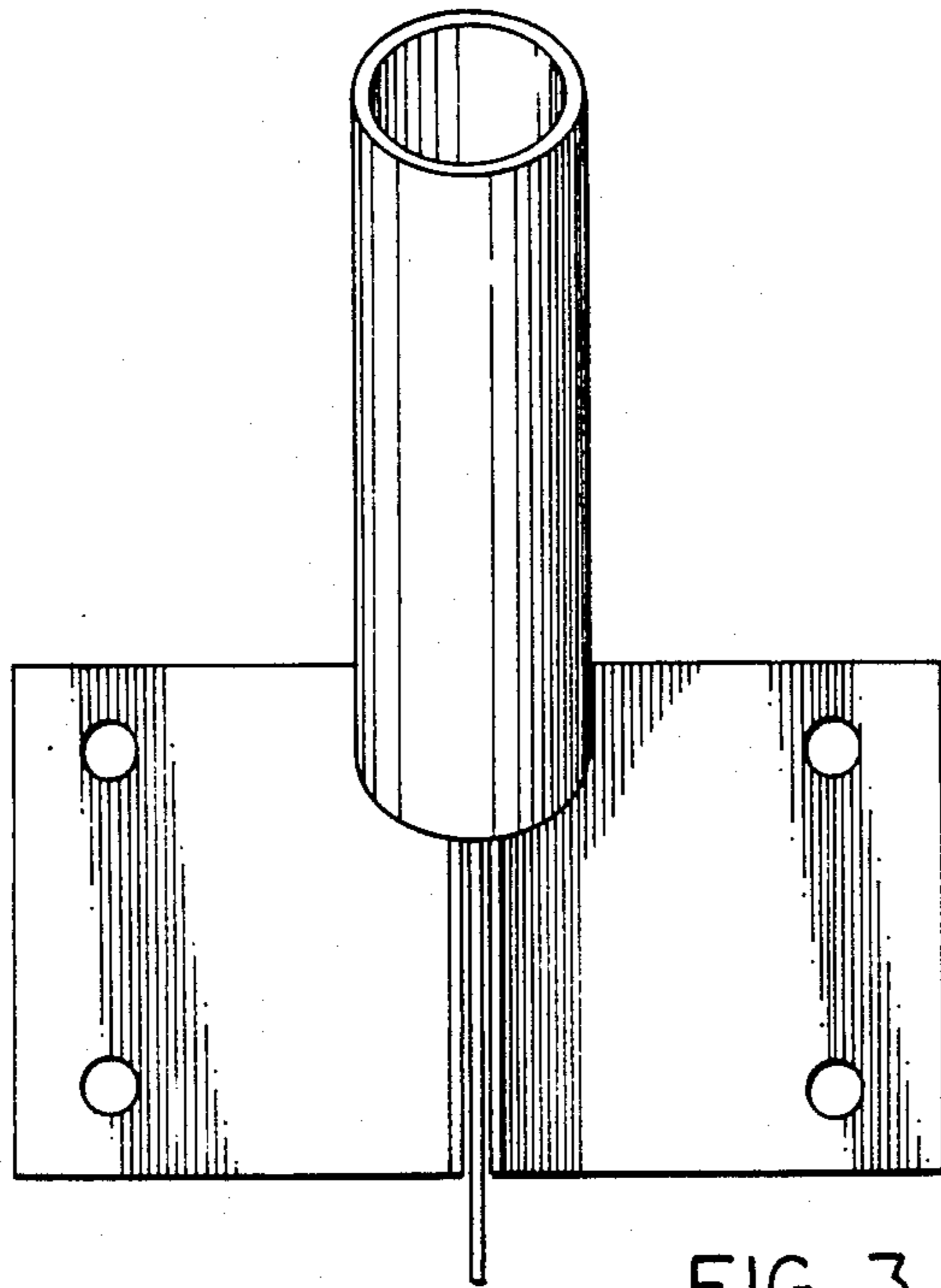
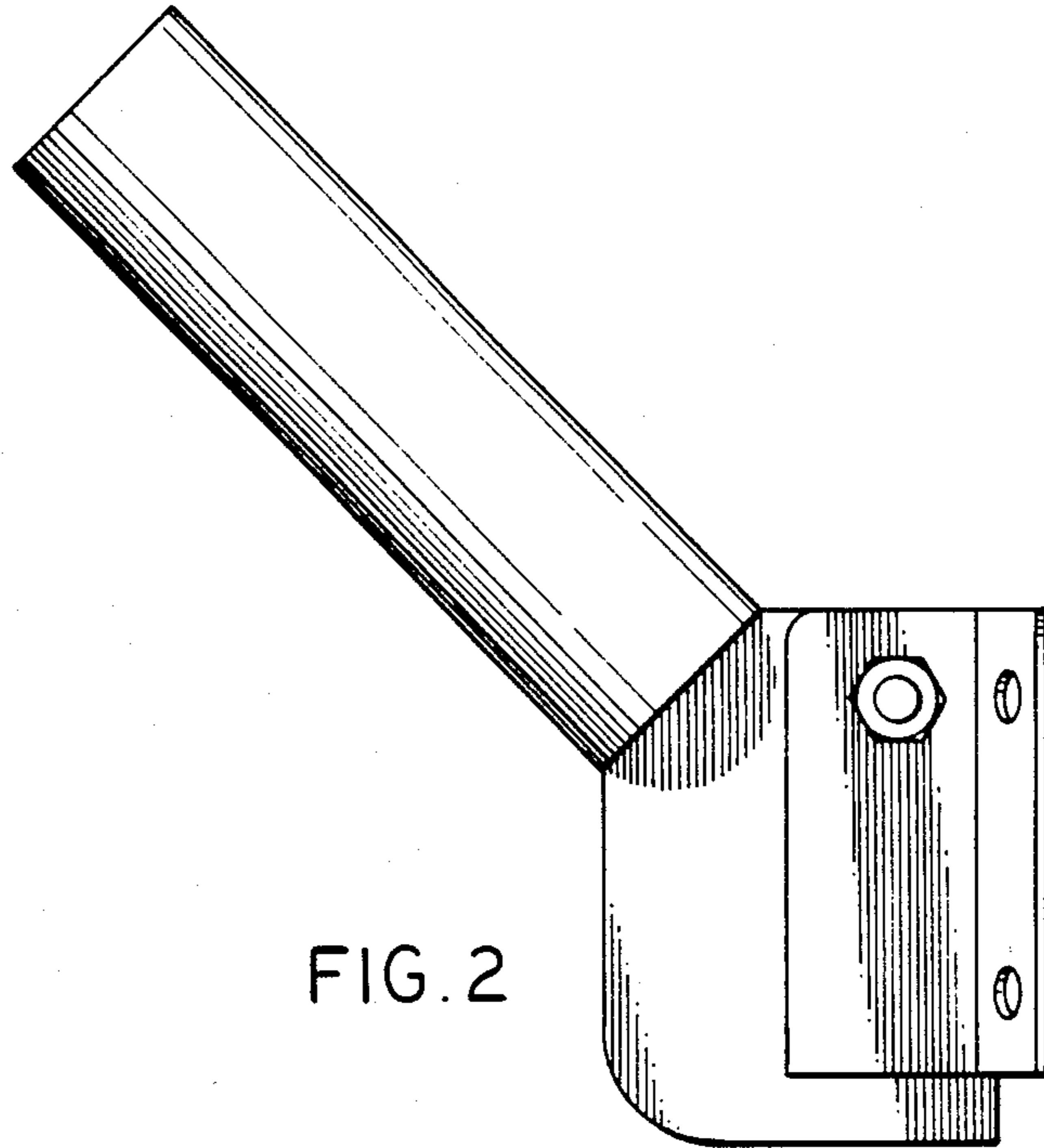


FIG. 1



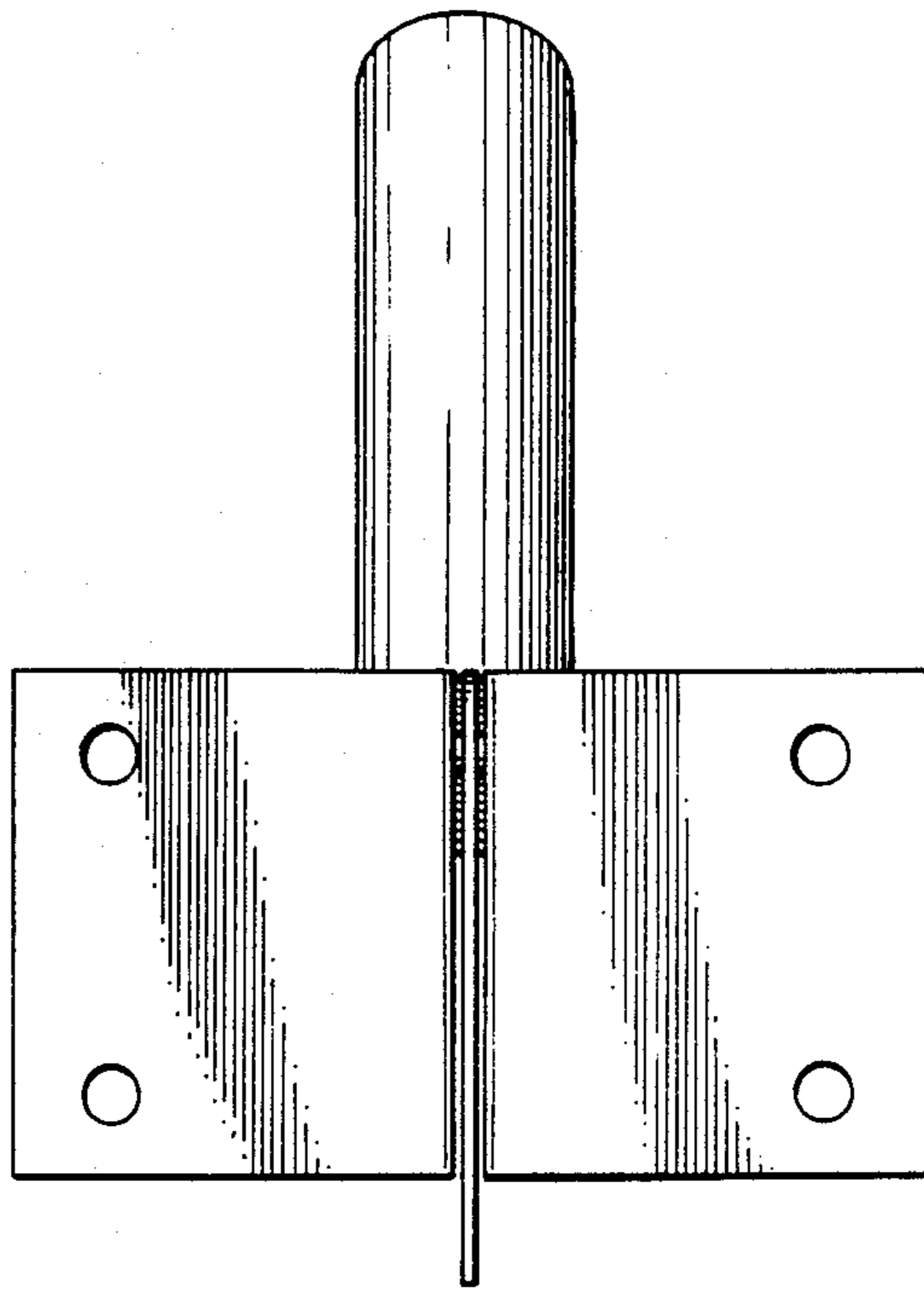


FIG. 4

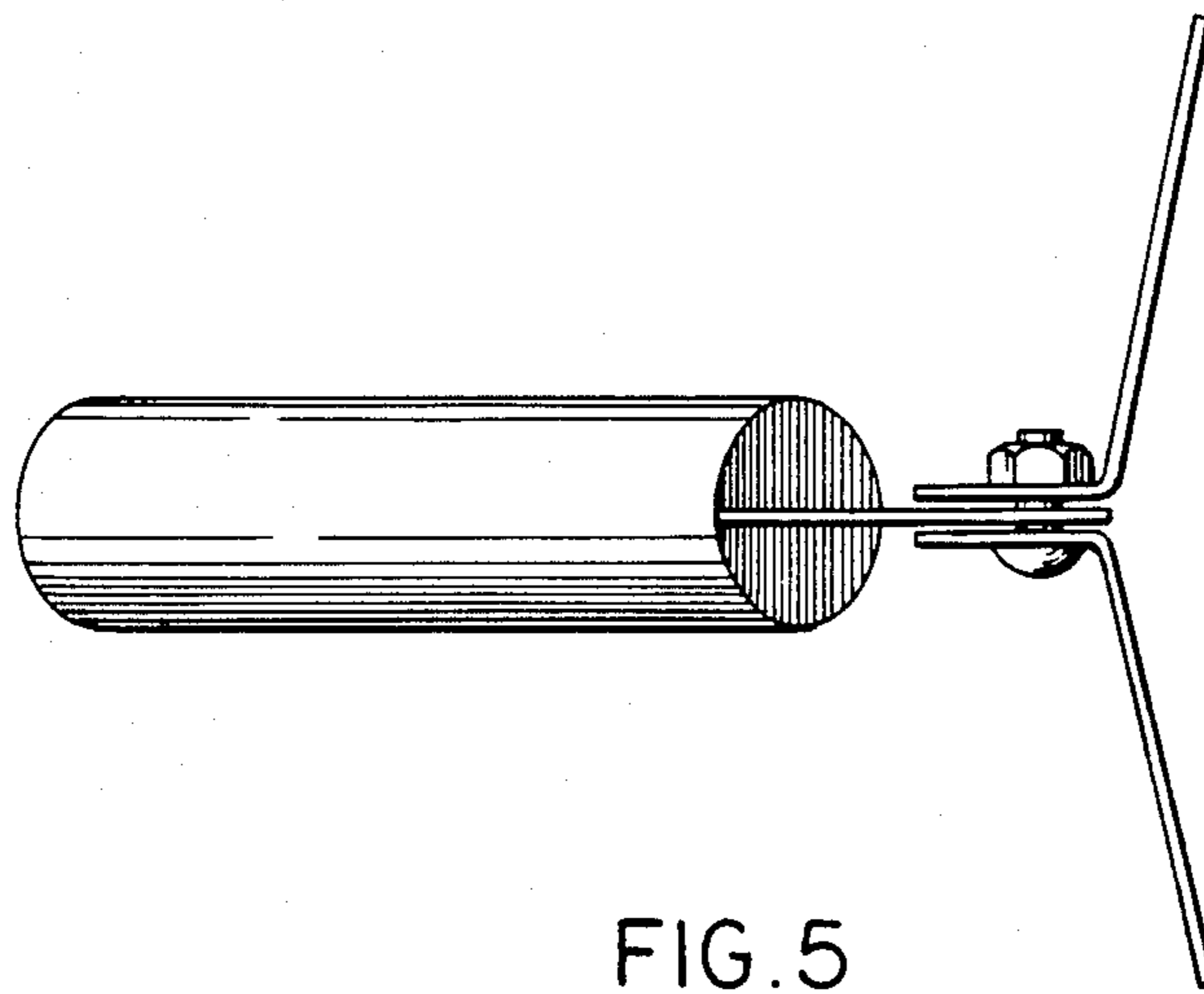


FIG. 5

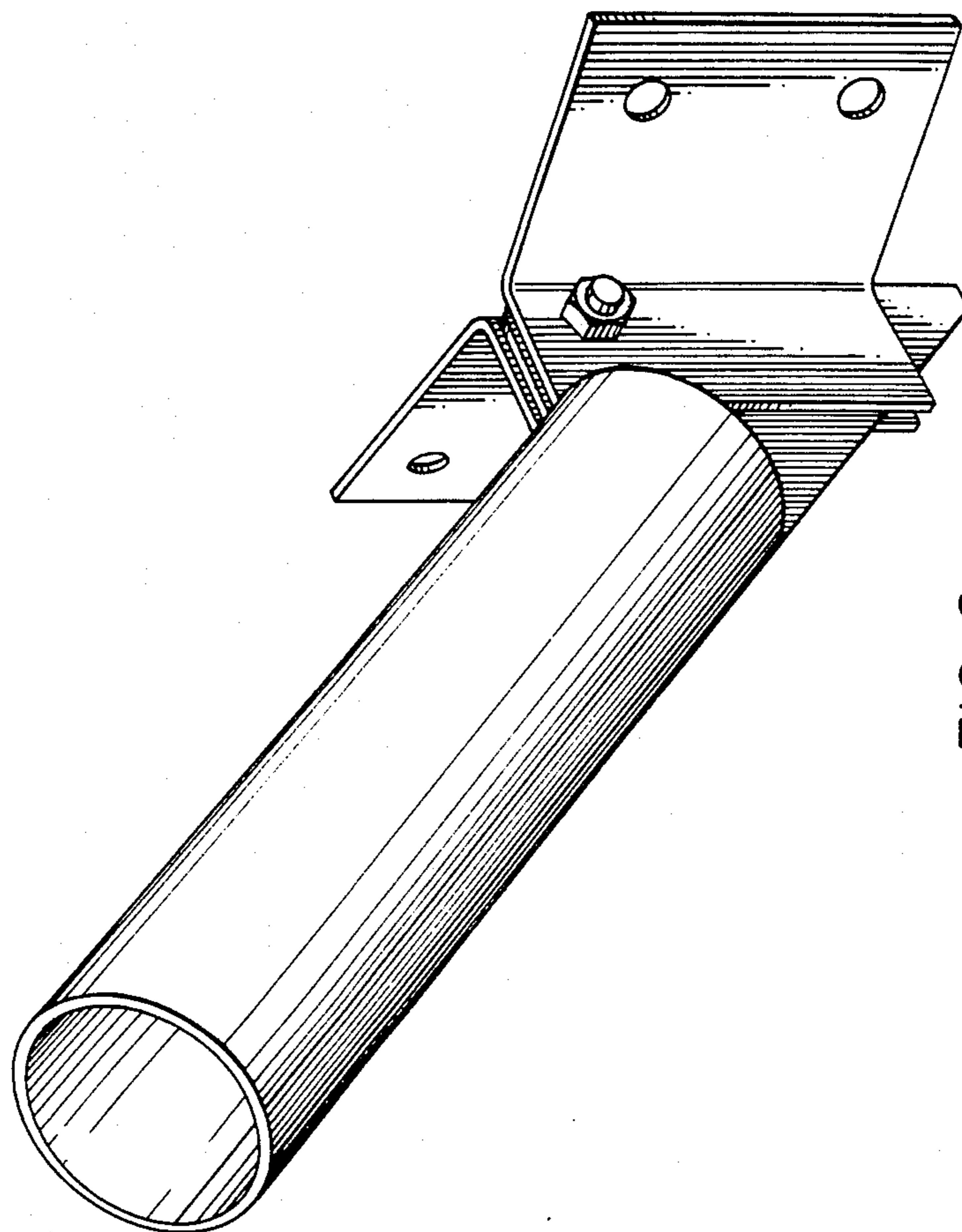


FIG. 6

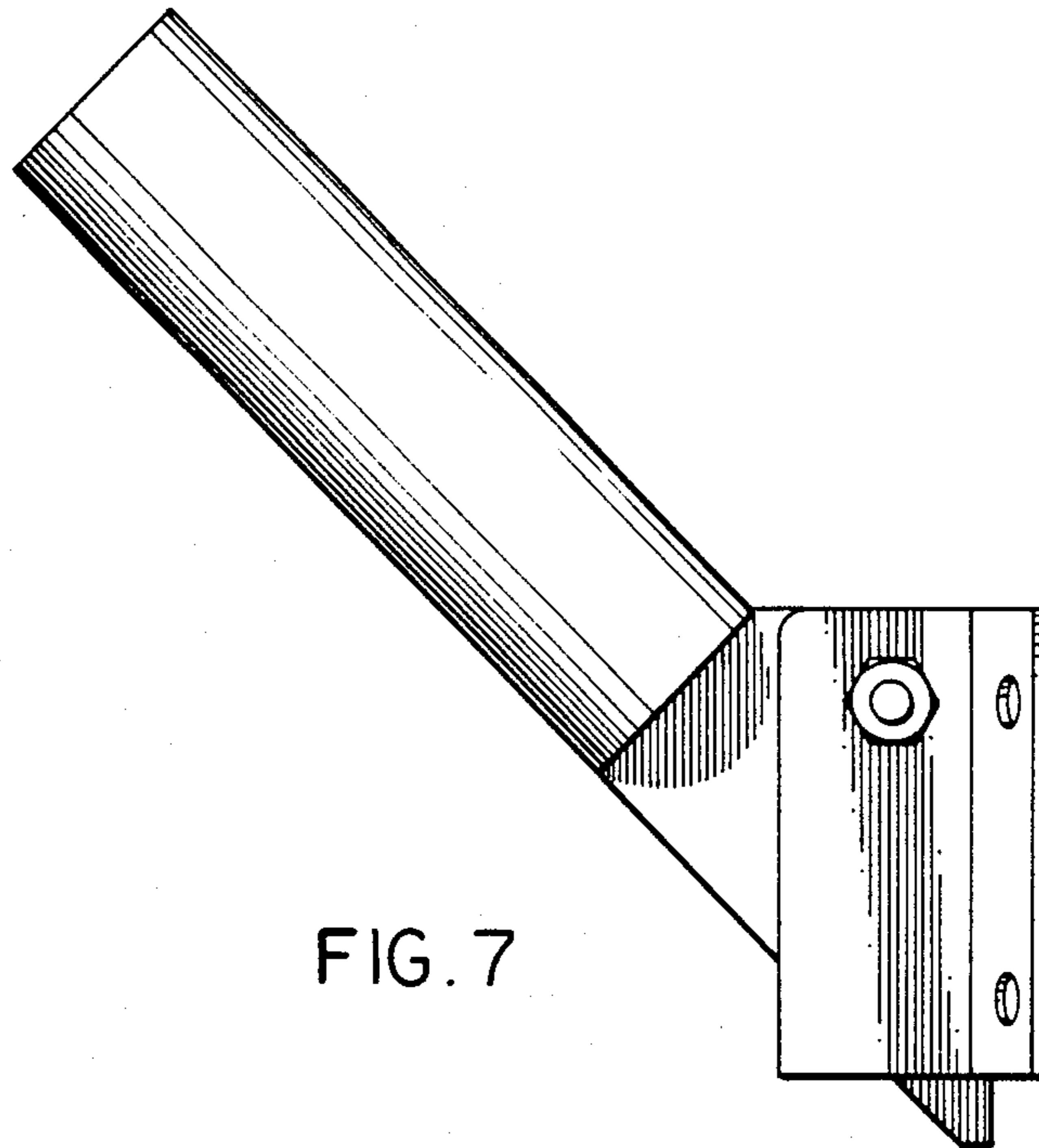


FIG. 7

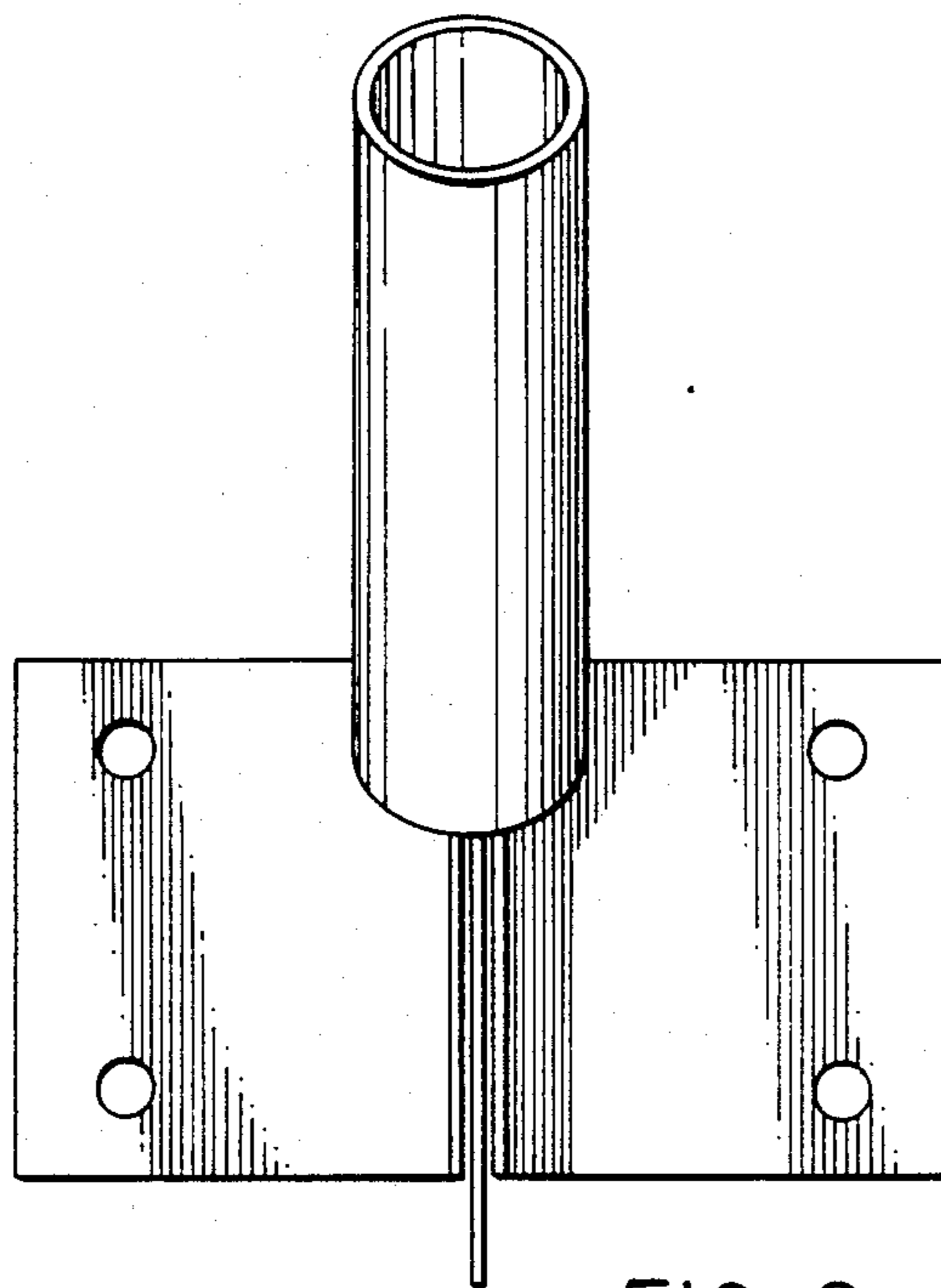


FIG. 8

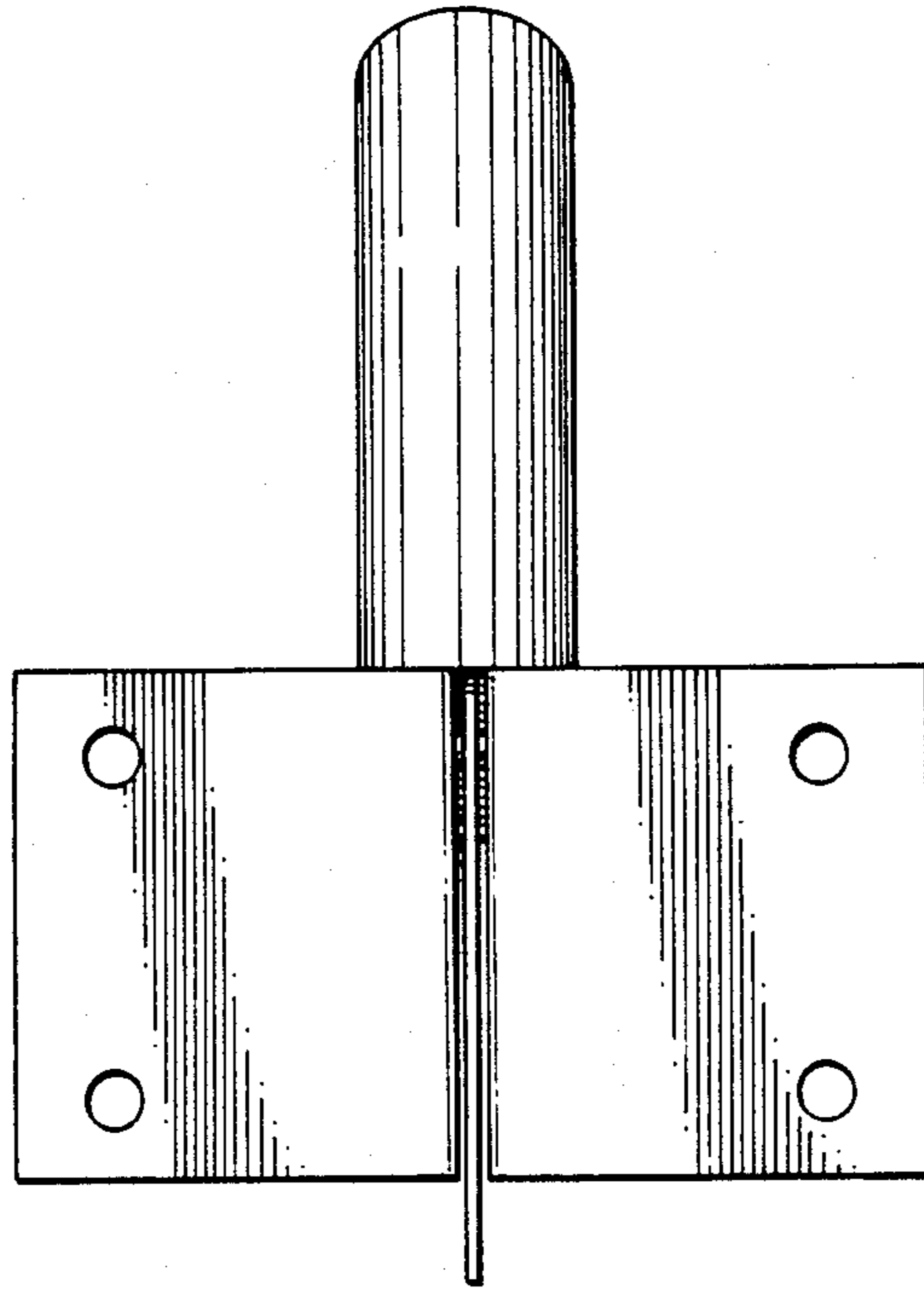


FIG. 9

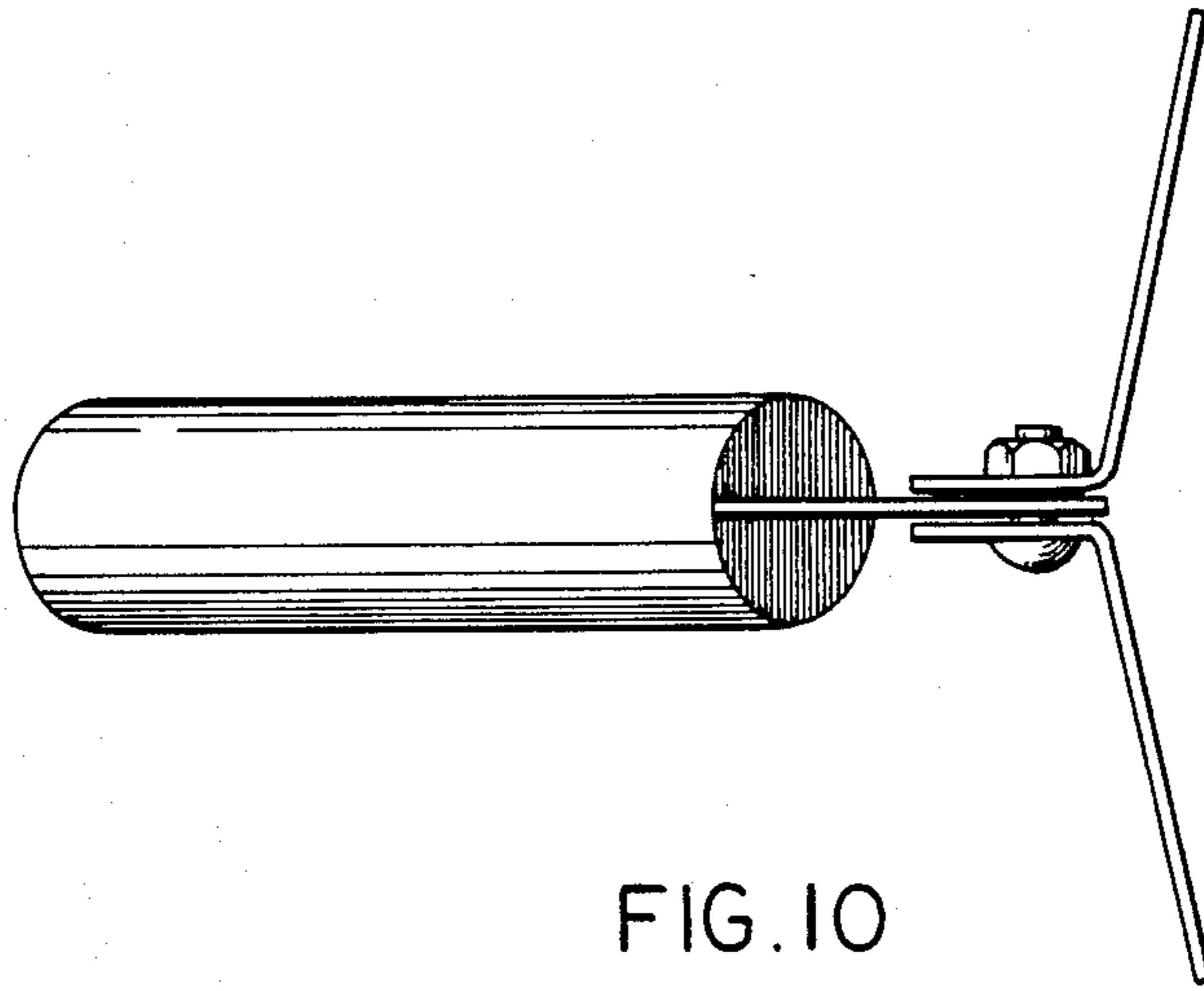


FIG. 10

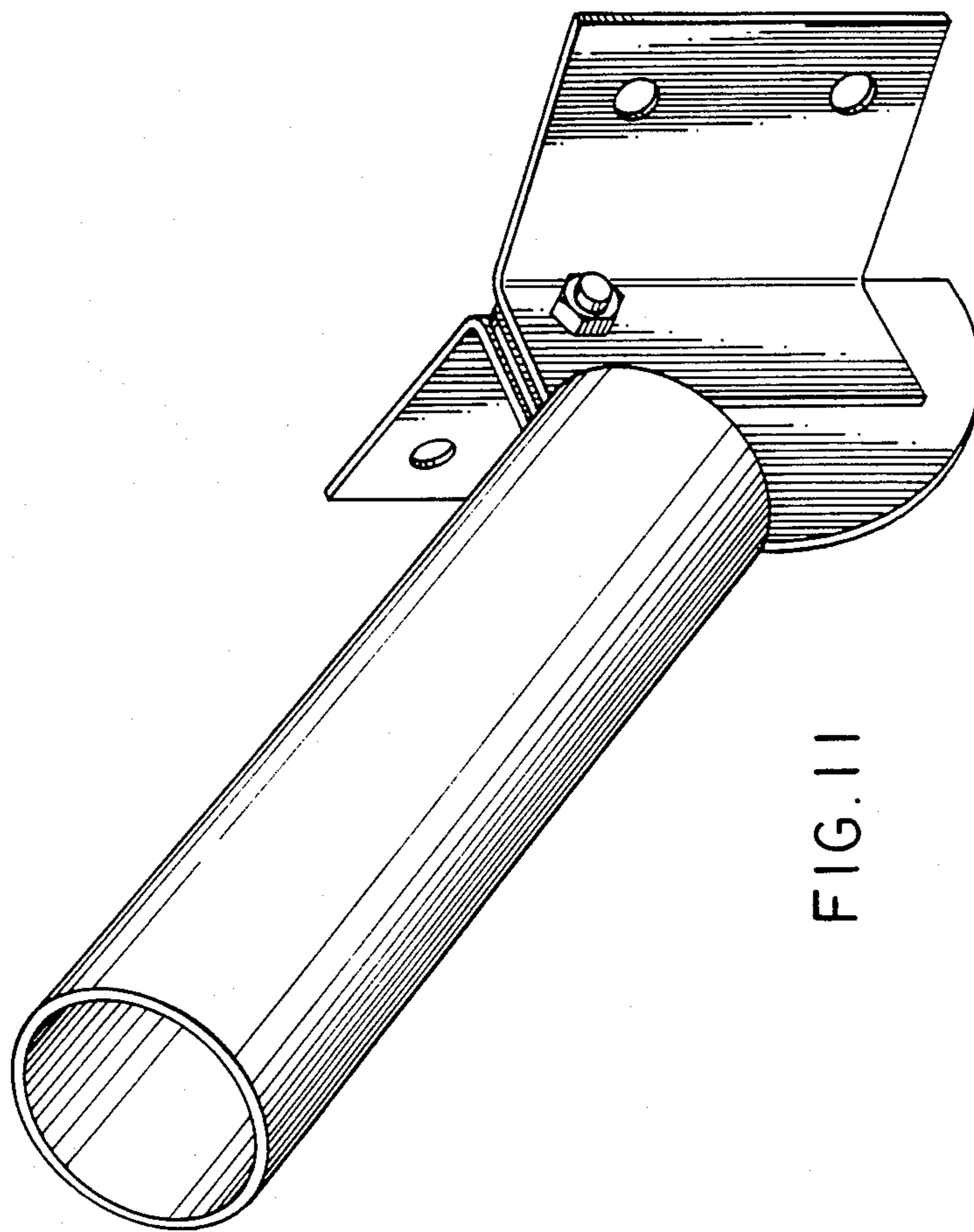


FIG. II

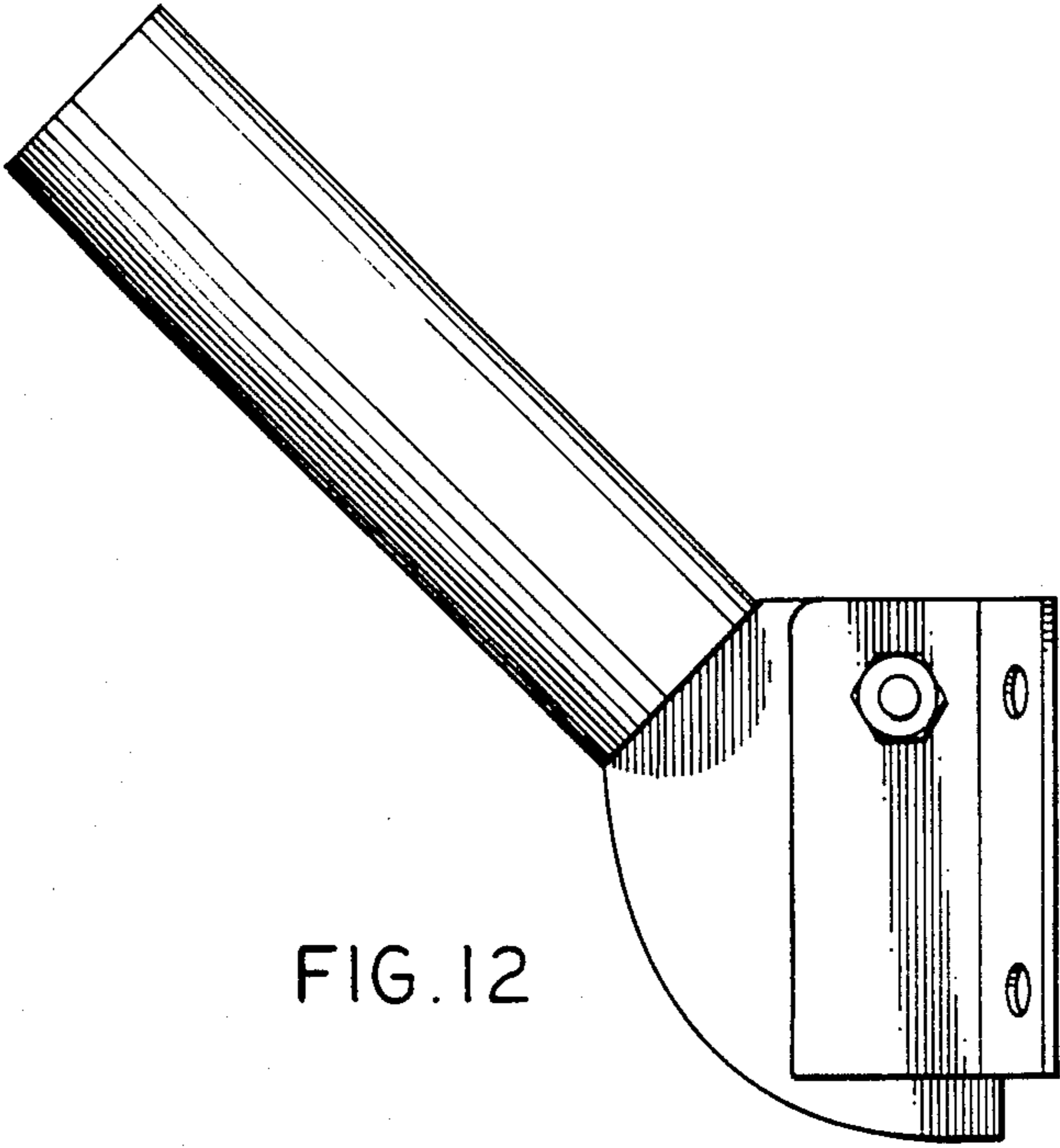


FIG. 12

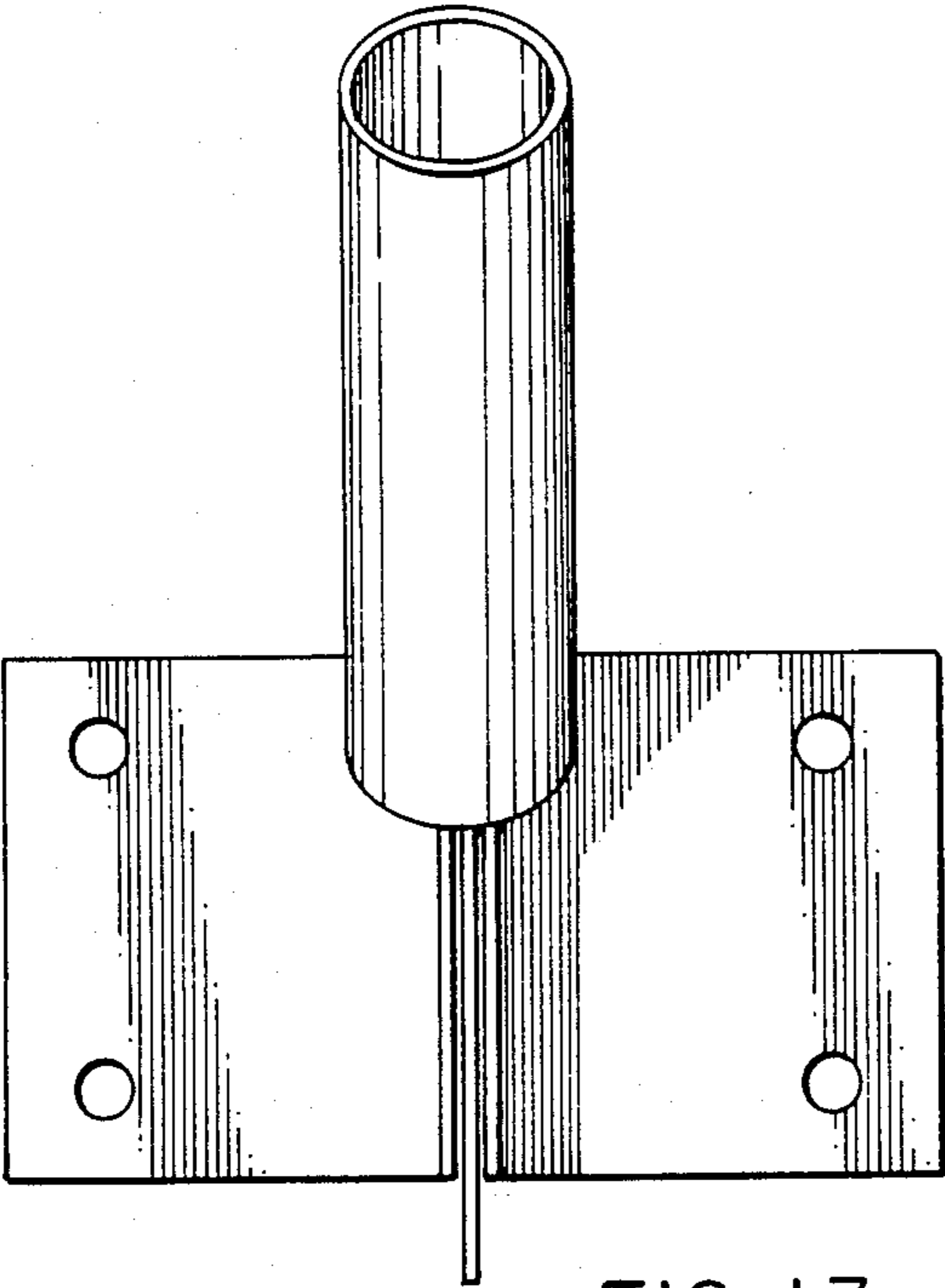


FIG. 13

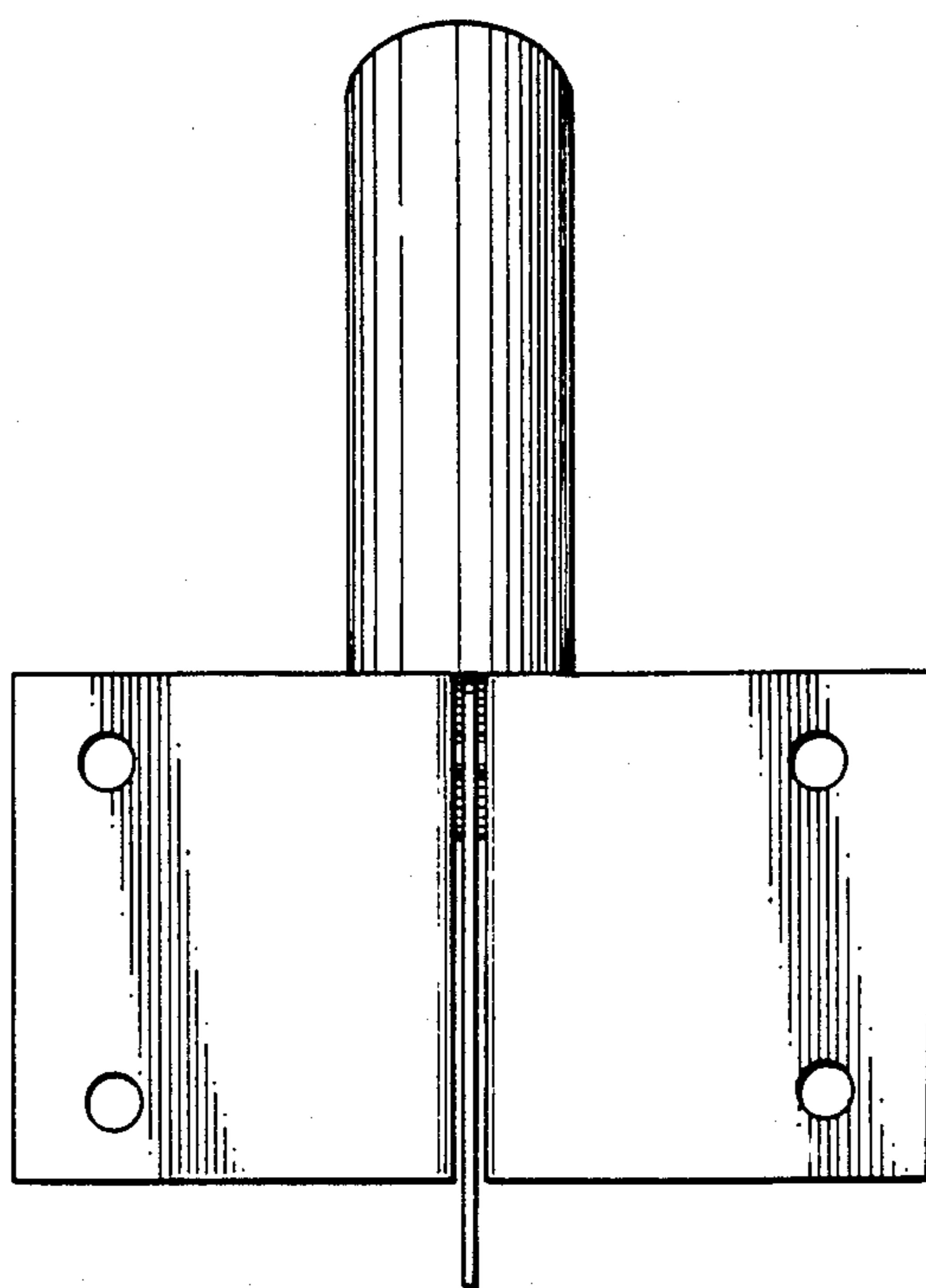


FIG. 14

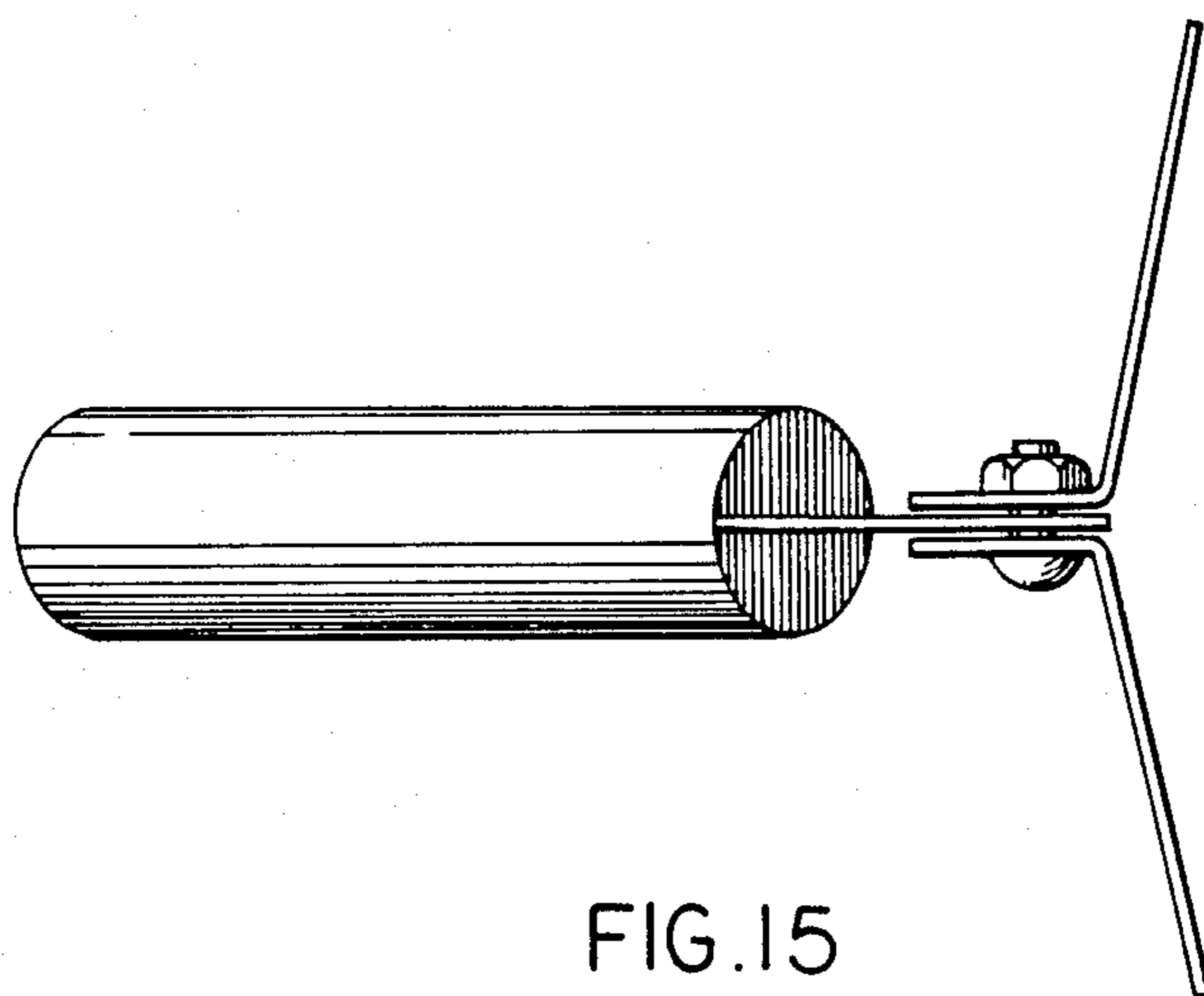


FIG. 15