

[54] SPOOL FACEPLATE FOR A FISHING REEL

[75] Inventor: Robert E. Haynes, Foley, Ala.

[73] Assignee: Lew Childre & Sons, Inc., Foley, Ala.

[\*\*] Term: 14 Years

[21] Appl. No.: 287,593

[22] Filed: Dec. 19, 1988

Related U.S. Application Data

[63] Continuation of Ser. No. 760,664, Jul. 30, 1985, abandoned.

[52] U.S. Cl. .... D22/141

[58] Field of Search ..... D22/140, 141; 242/84.1 R, 84.2 R, 84.2 A

[56] References Cited

U.S. PATENT DOCUMENTS

- D. 254,091 1/1980 Jansson et al. .... D22/141
- D. 257,169 9/1980 Elie ..... D22/141
- D. 269,030 5/1983 Hiraishi et al. .... D22/141

Primary Examiner—A. Hugo Word  
Attorney, Agent, or Firm—Lockwood, Alex, FitzGibbon & Cummings

[57] CLAIM

The ornamental design for a spool faceplate for a fishing reel, as shown and described.

DESCRIPTION

FIG. 1 is a perspective view of a spool faceplate for a fishing reel showing my new design.

FIG. 2 is an elevational view of one side thereof.

FIG. 3 is a front elevational view thereof.

Any broken line illustration in the drawing disclosure is not a part of the design sought to be patented and is present to denote the nature and environmental use of the claimed design.

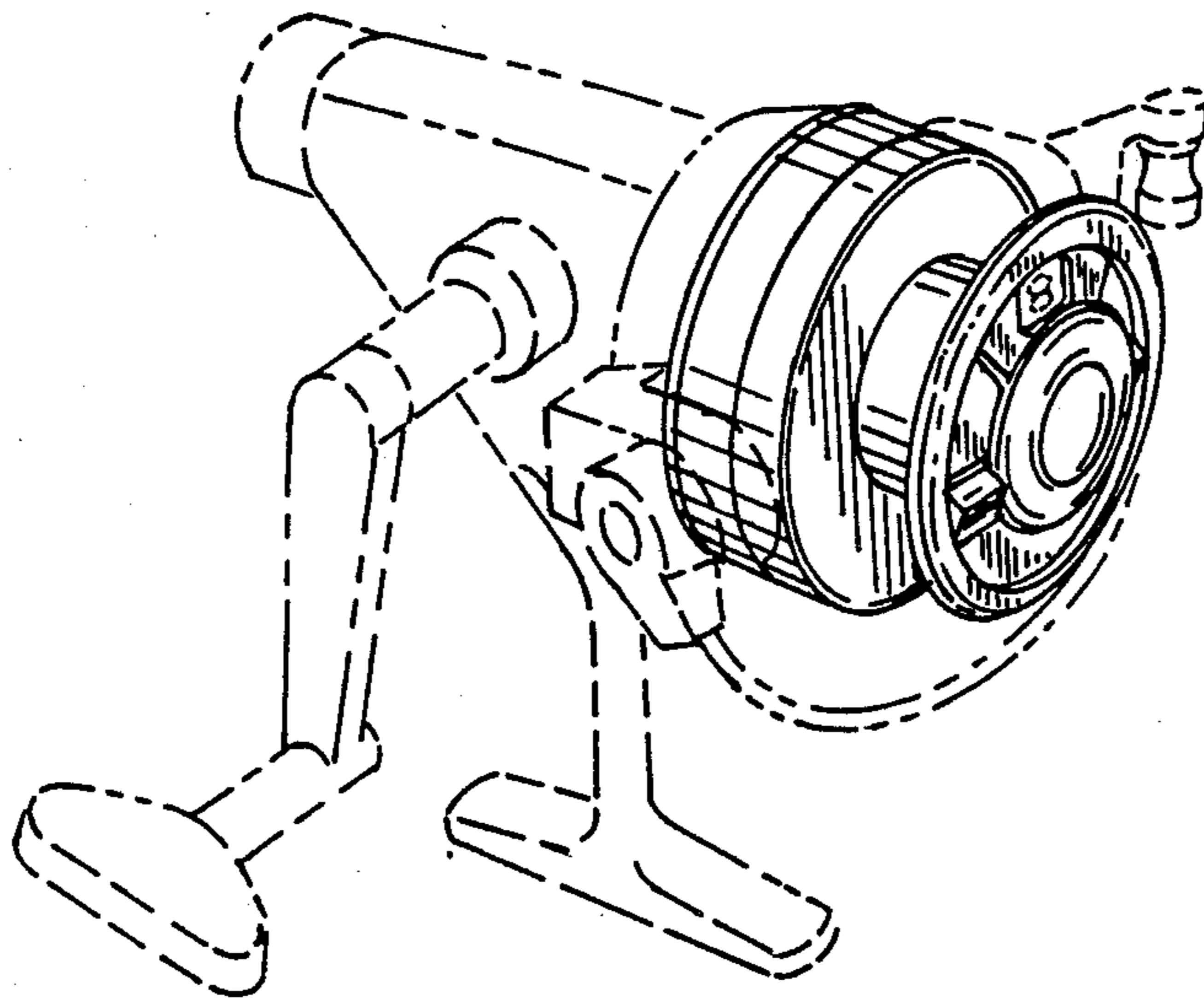


FIG. 1

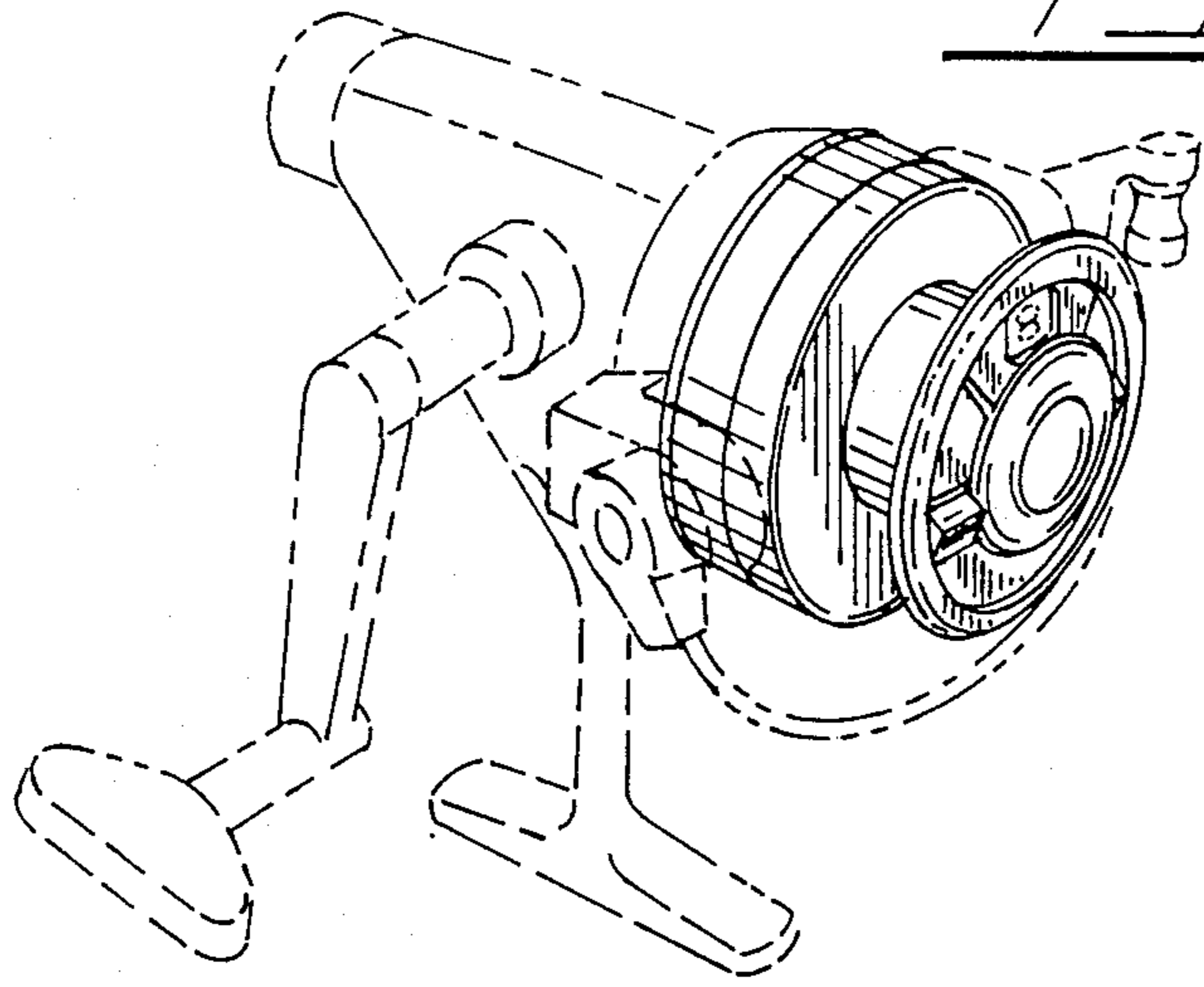


FIG. 2

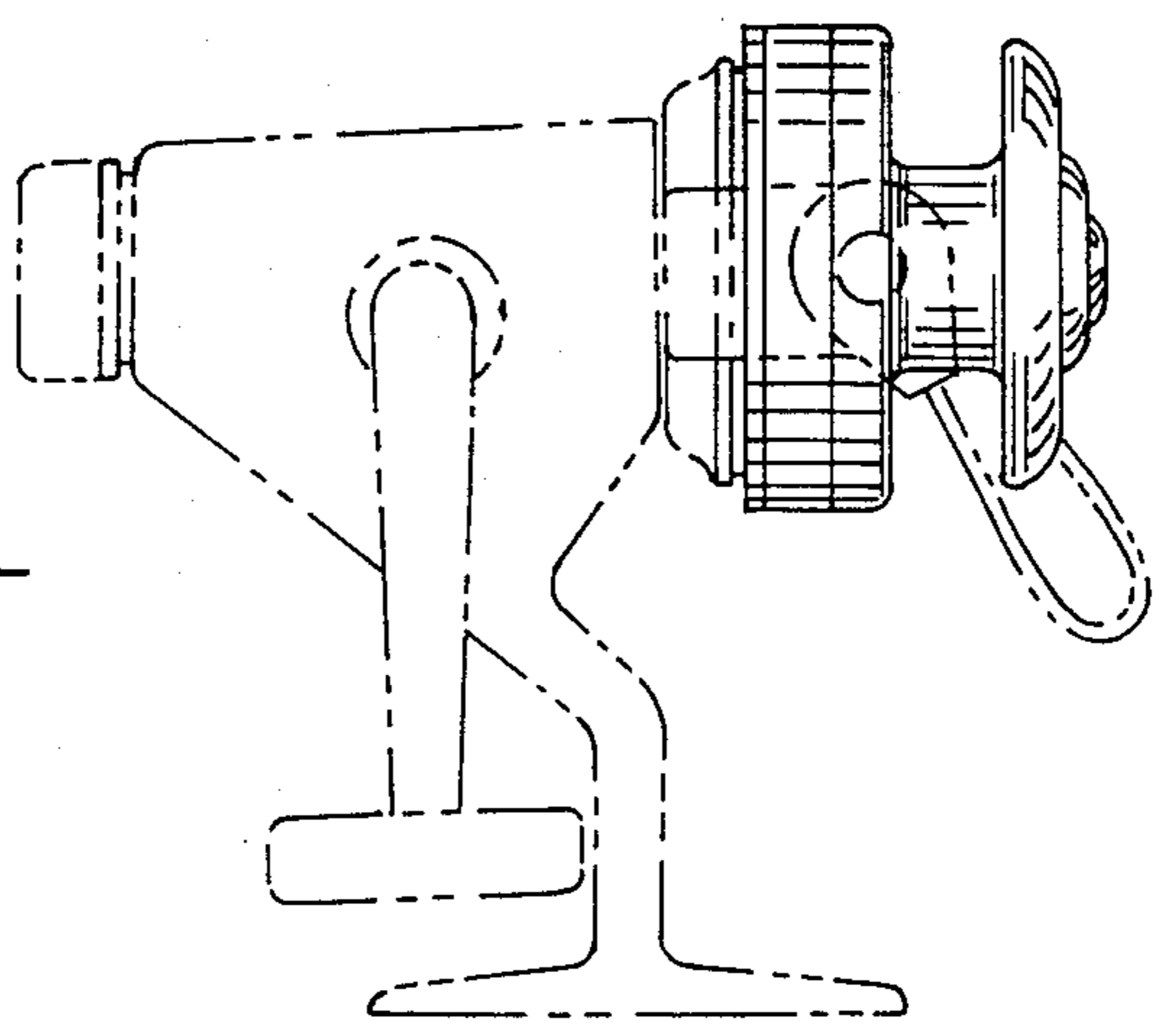


FIG. 3

