

[54] COMBINED MOUNT AND SUPPORT BRACKET FOR FIREARMS

[76] Inventors: Tibor Tamas, 4 Villa Rose Ter., Milford, Conn. 06460; Jeffrey McClure, 1770 Boston Post Rd., Darien, Conn. 06820

[\*\*] Term: 14 Years

[21] Appl. No.: 29,486

[22] Filed: Mar. 23, 1987

[52] U.S. Cl. .... D22/110

[58] Field of Search ..... D22/108, 109, 110, 103; 42/100, 101; 89/37.03, 37.04

[56] References Cited

U.S. PATENT DOCUMENTS

3,969,980	7/1976	Brandstätter et al. ....	42/100
4,663,878	5/1987	Beretta .....	42/100
4,769,938	9/1988	Castetter et al. ....	42/101

FOREIGN PATENT DOCUMENTS

2083597	3/1982	United Kingdom .....	42/101
---------	--------	----------------------	--------

Primary Examiner—A. Hugo Word  
Assistant Examiner—Doris Clark  
Attorney, Agent, or Firm—Mattern, Ware, Stoltz & Fressola

[57] CLAIM

The ornamental design for a combined mount and support bracket for firearms, as shown and described.

DESCRIPTION

FIG. 1 is a perspective view of a combined mount and support bracket for firearms showing our new design; FIG. 2 is a top plan view thereof; FIG. 3 is a right side elevational view thereof with a scope mount shown in phantom mounted thereon; FIG. 4 is a left side elevational view thereof; FIG. 5 is a front elevational view thereof, showing the scope mount of FIG. 3 in phantom; FIG. 6 is a rear elevational view thereof; FIG. 7 is a bottom plan view thereof; and FIG. 8 is a perspective view of an alternate embodiment of my design.

The broken line showing of scope mount in FIGS. 3 and 5 is for illustrative purposes only and forms no part of the claimed design.

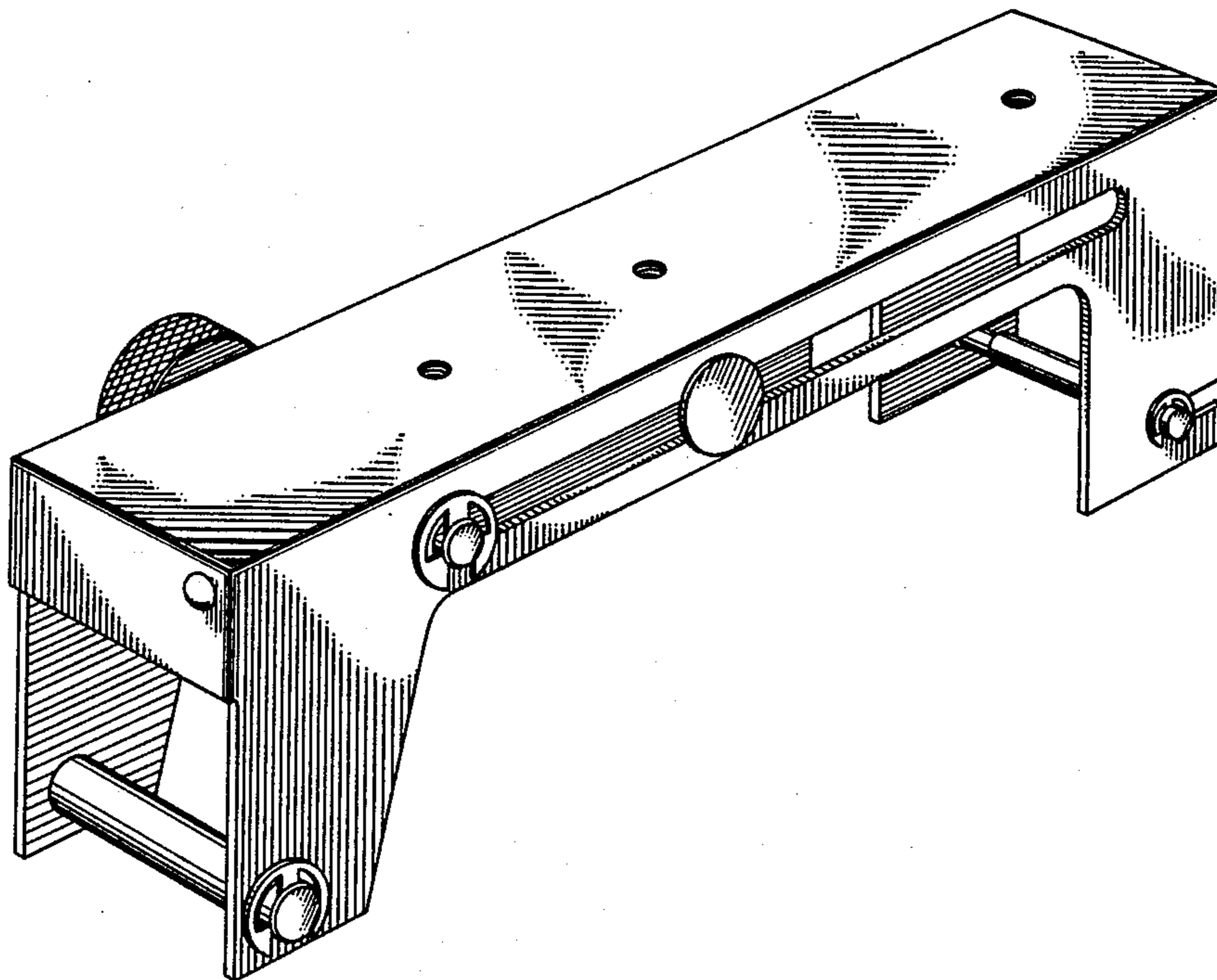


FIG. 1

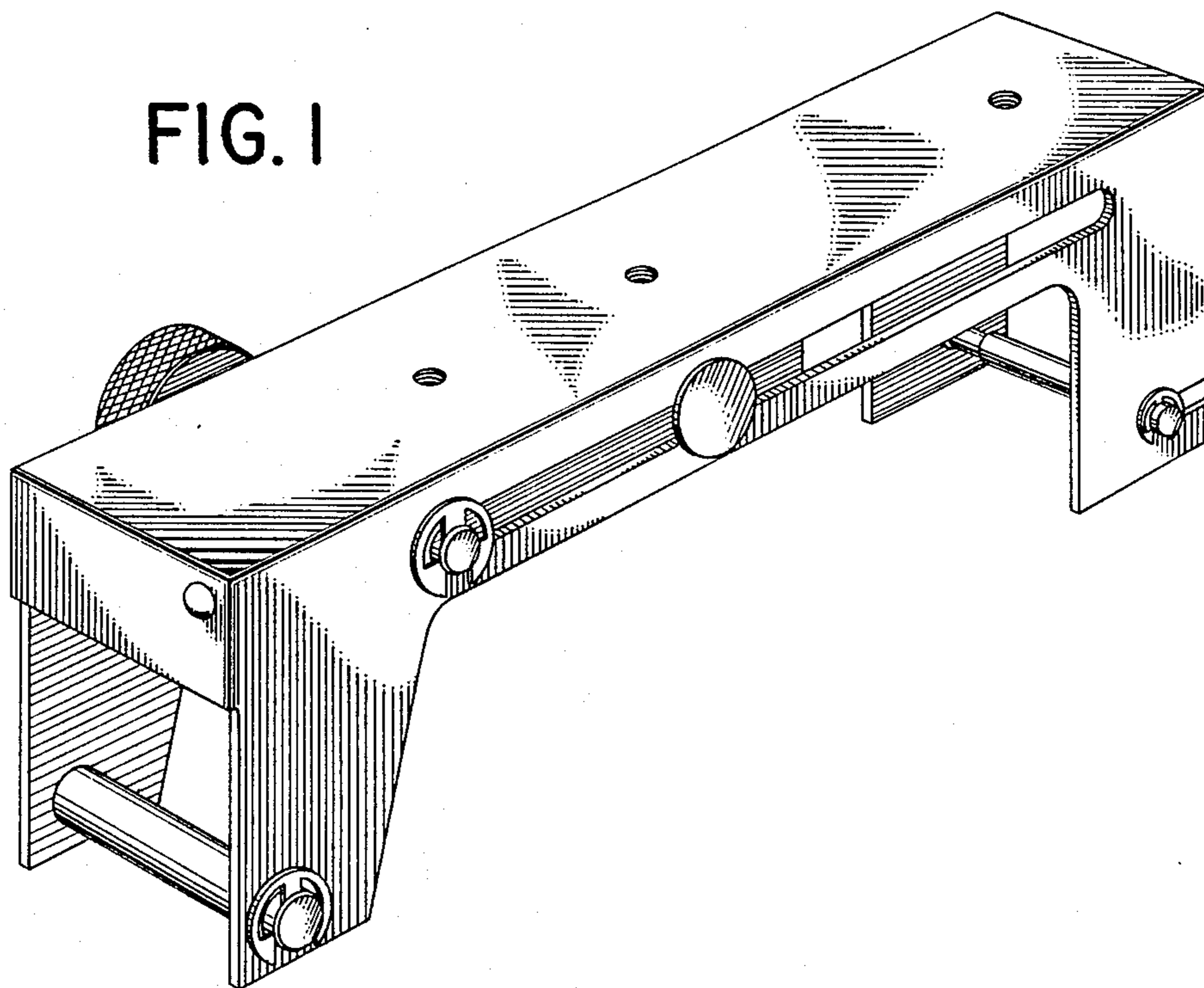


FIG. 2

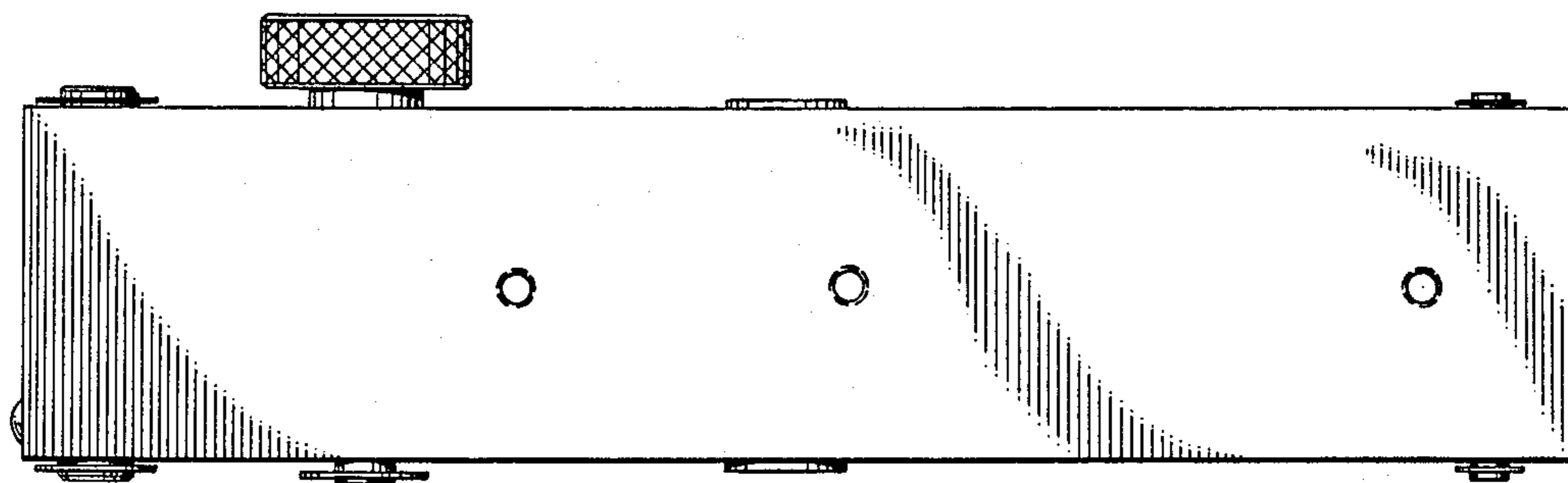


FIG. 3

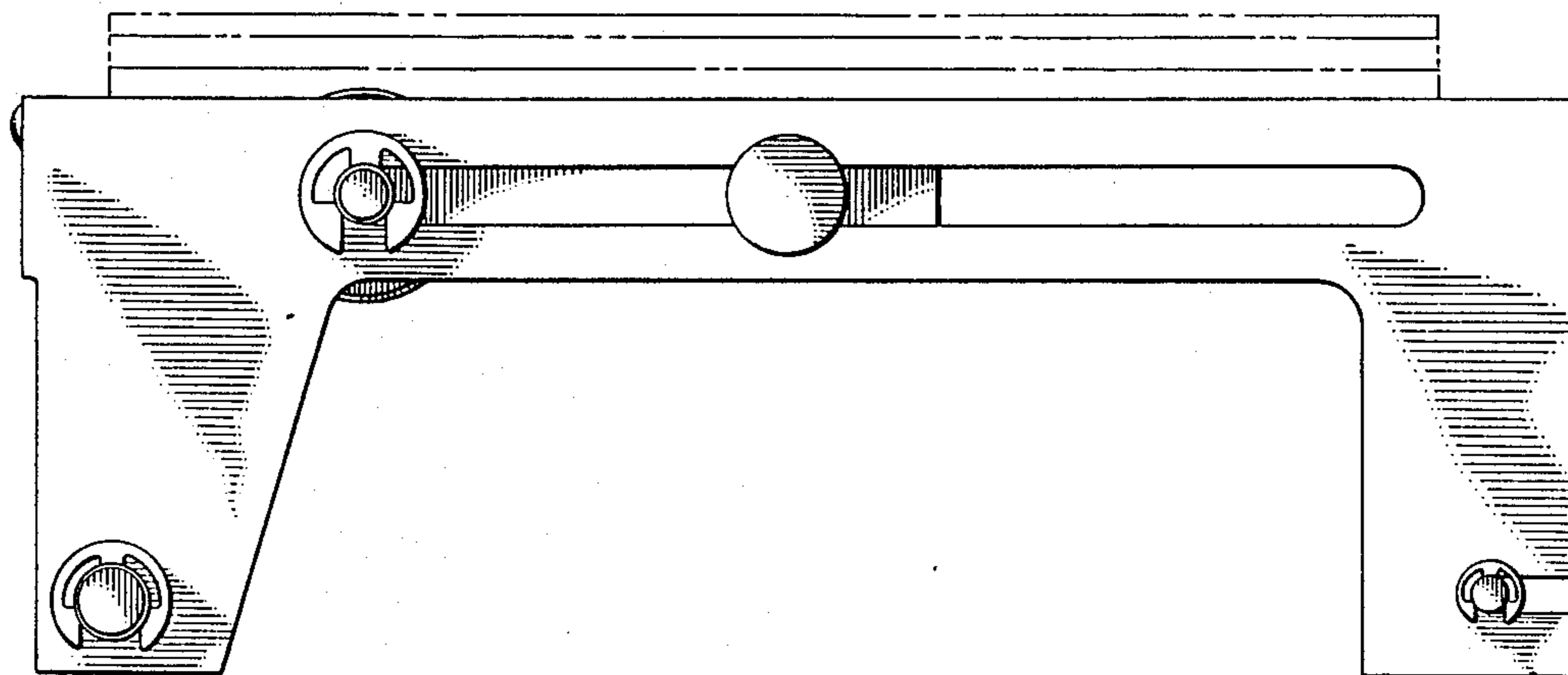


FIG. 4

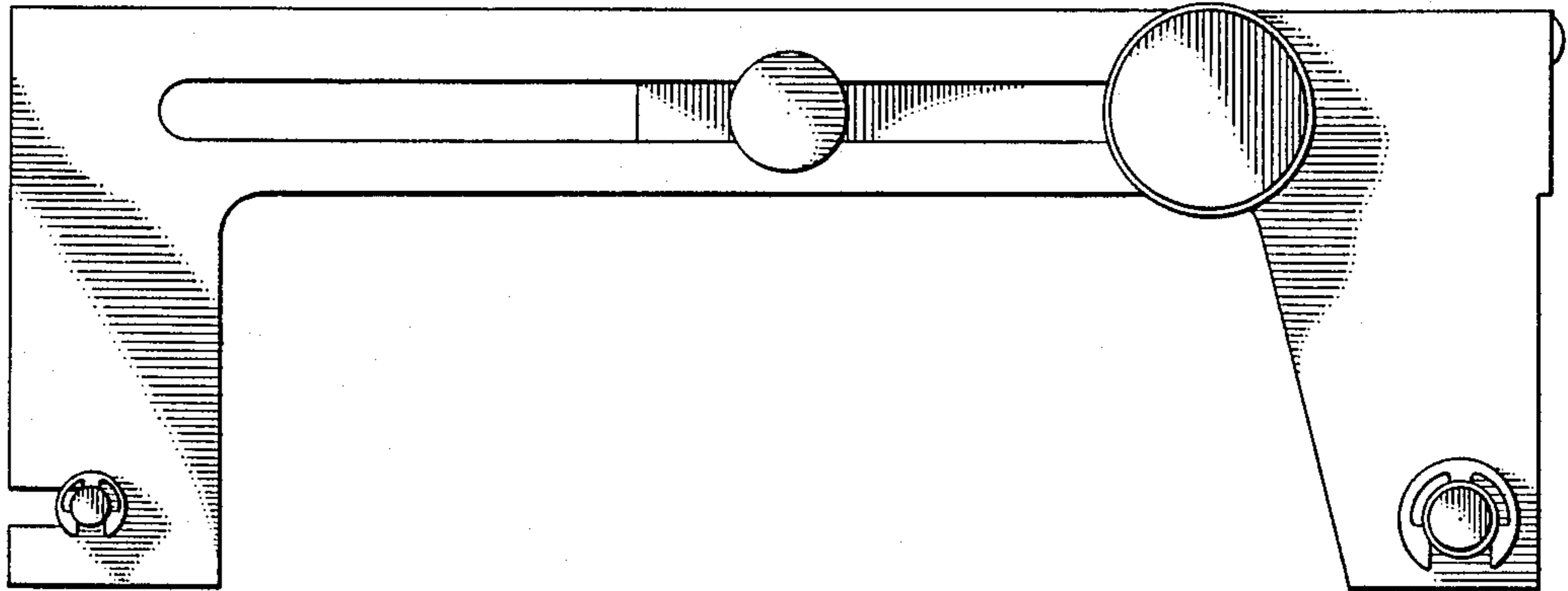


FIG. 5

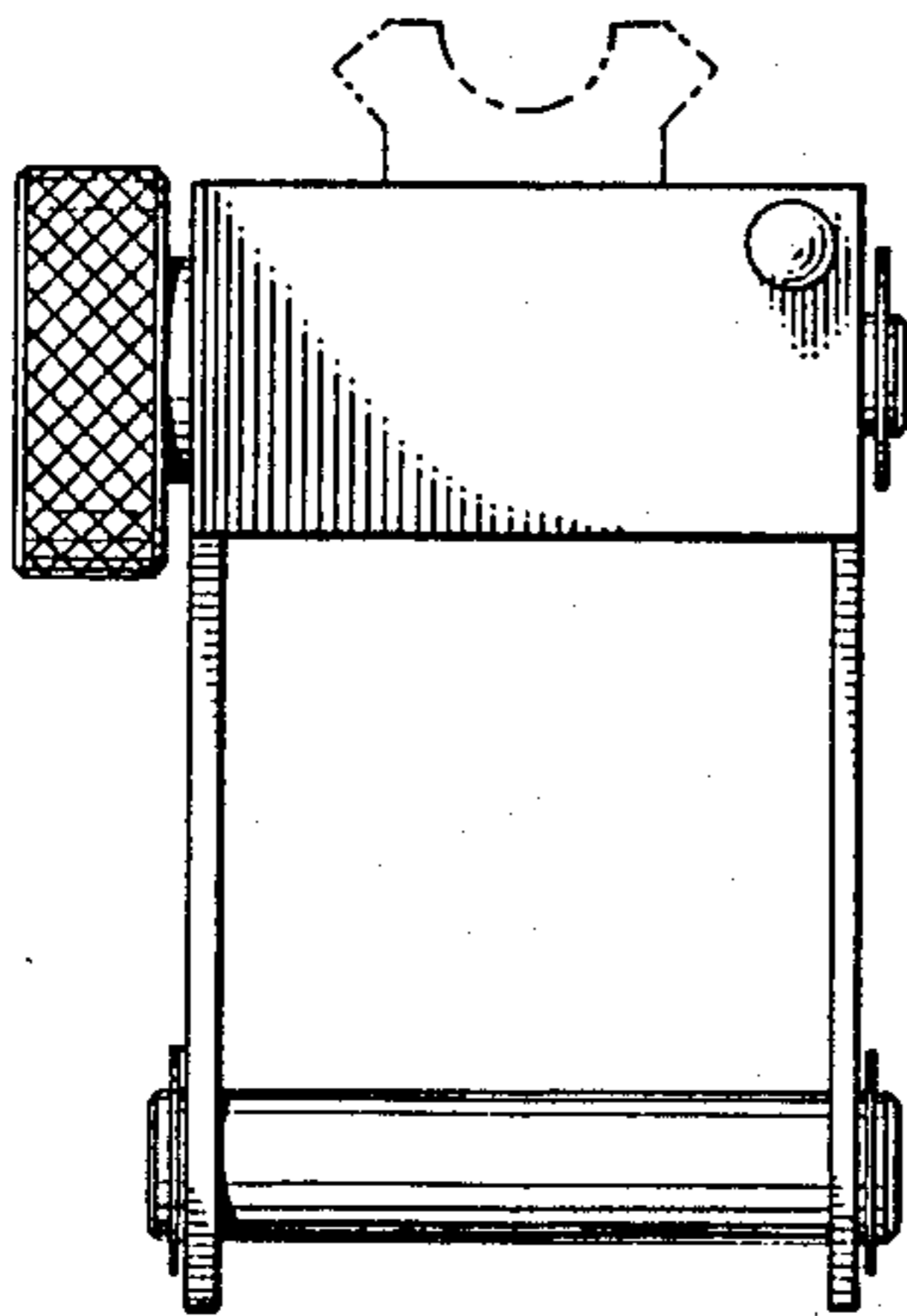


FIG. 6

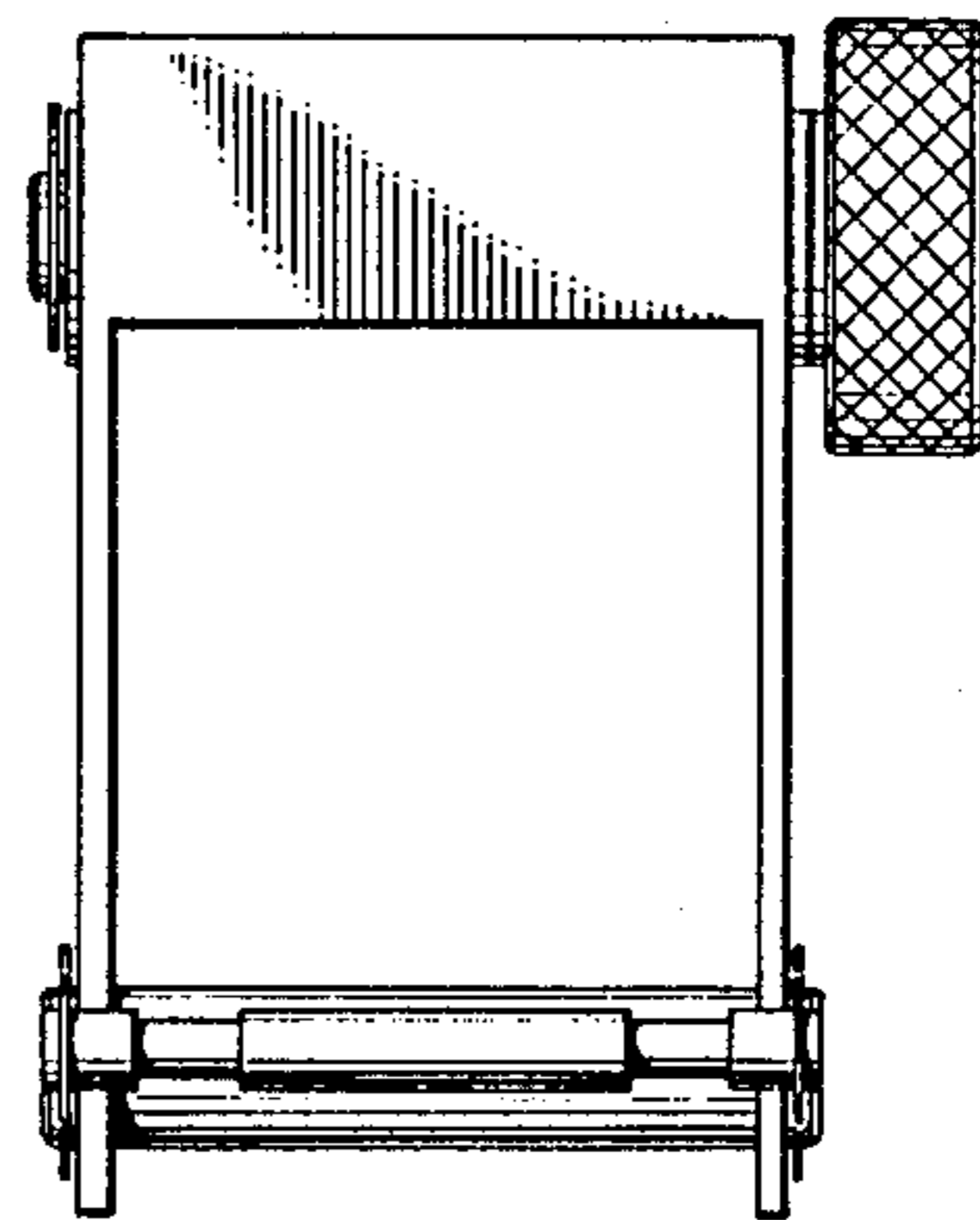


FIG. 7

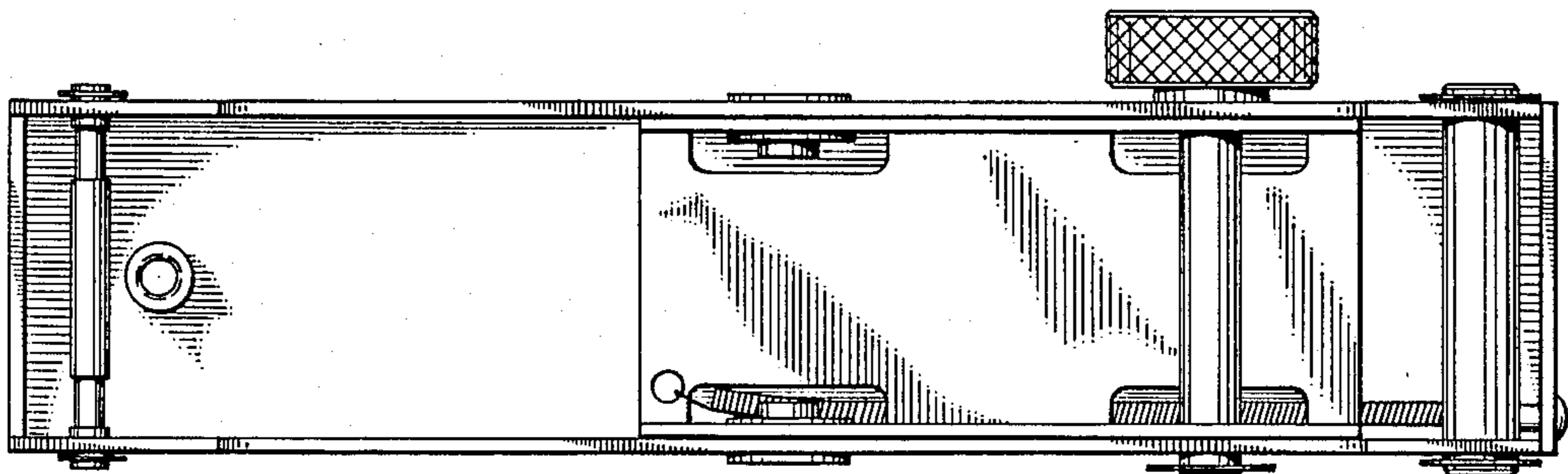


FIG. 8

