

[54] SWIMMING POOL BASKETBALL GOAL

2,818,254 12/1957 Dunn D21/201

[76] Inventor: George R. Scott, III, 2807-B Windsor St., Austin, Tex. 78703

Primary Examiner—Melvin B. Feifer
Assistant Examiner—William J. Krawczewicz
Attorney, Agent, or Firm—Terry M. Gernstein

[**] Term: 14 Years

[57] CLAIM

[21] Appl. No.: 918,799

The ornamental design for a swimming pool basketball goal, as shown and described.

[22] Filed: Oct. 14, 1986

[52] U.S. Cl. D21/201

[58] Field of Search D21/201; 273/1.5 A,
273/1.5 R

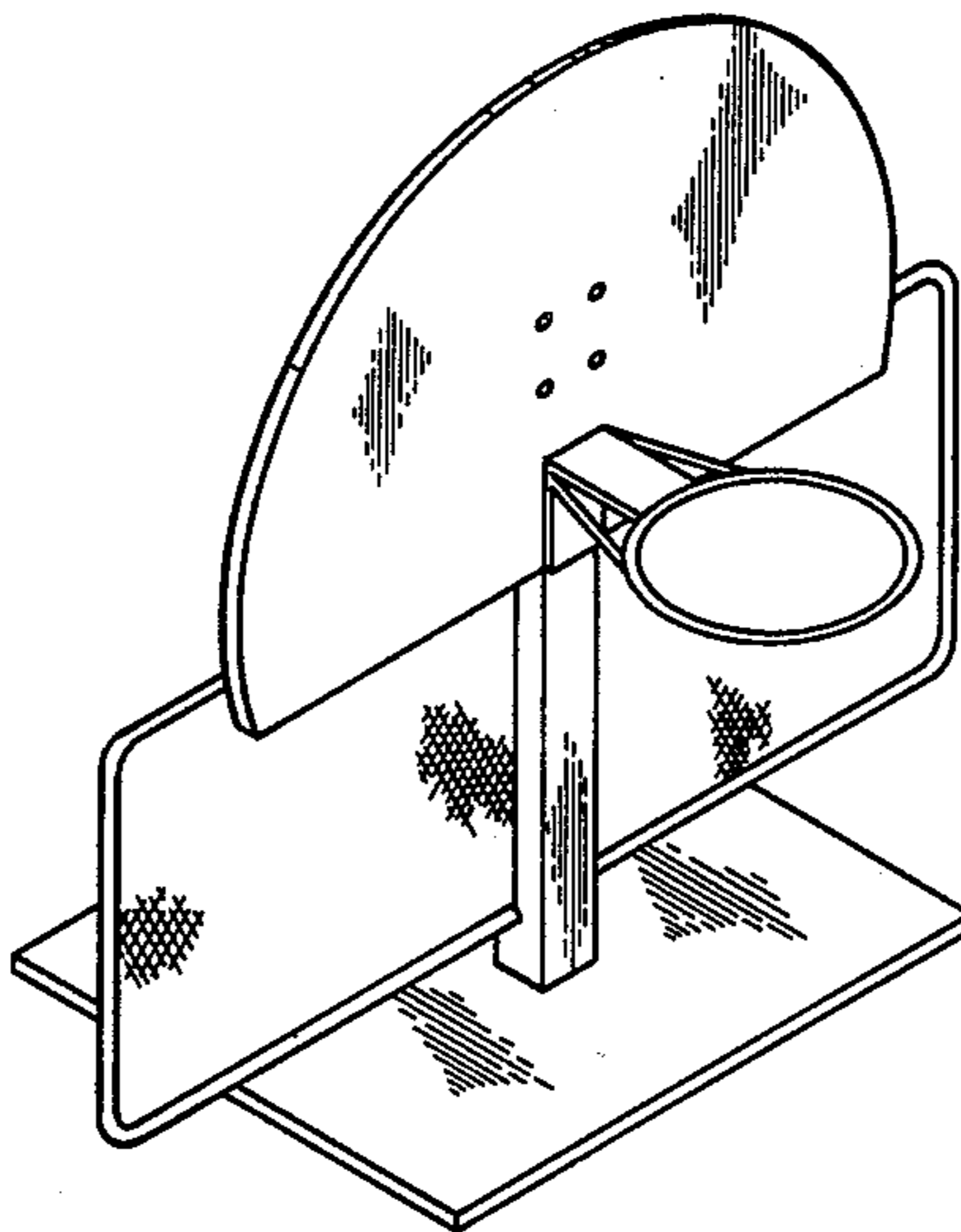
DESCRIPTION

FIG. 1 is a front perspective view of a swimming pool basketball goal showing my new design;
FIG. 2 is a typical side view;
FIG. 3 is a bottom view;
FIG. 4 is a top view; and
FIG. 5 is a rear perspective view thereof.

[56] References Cited

U.S. PATENT DOCUMENTS

D. 238,440 1/1976 Scarlotti D21/201



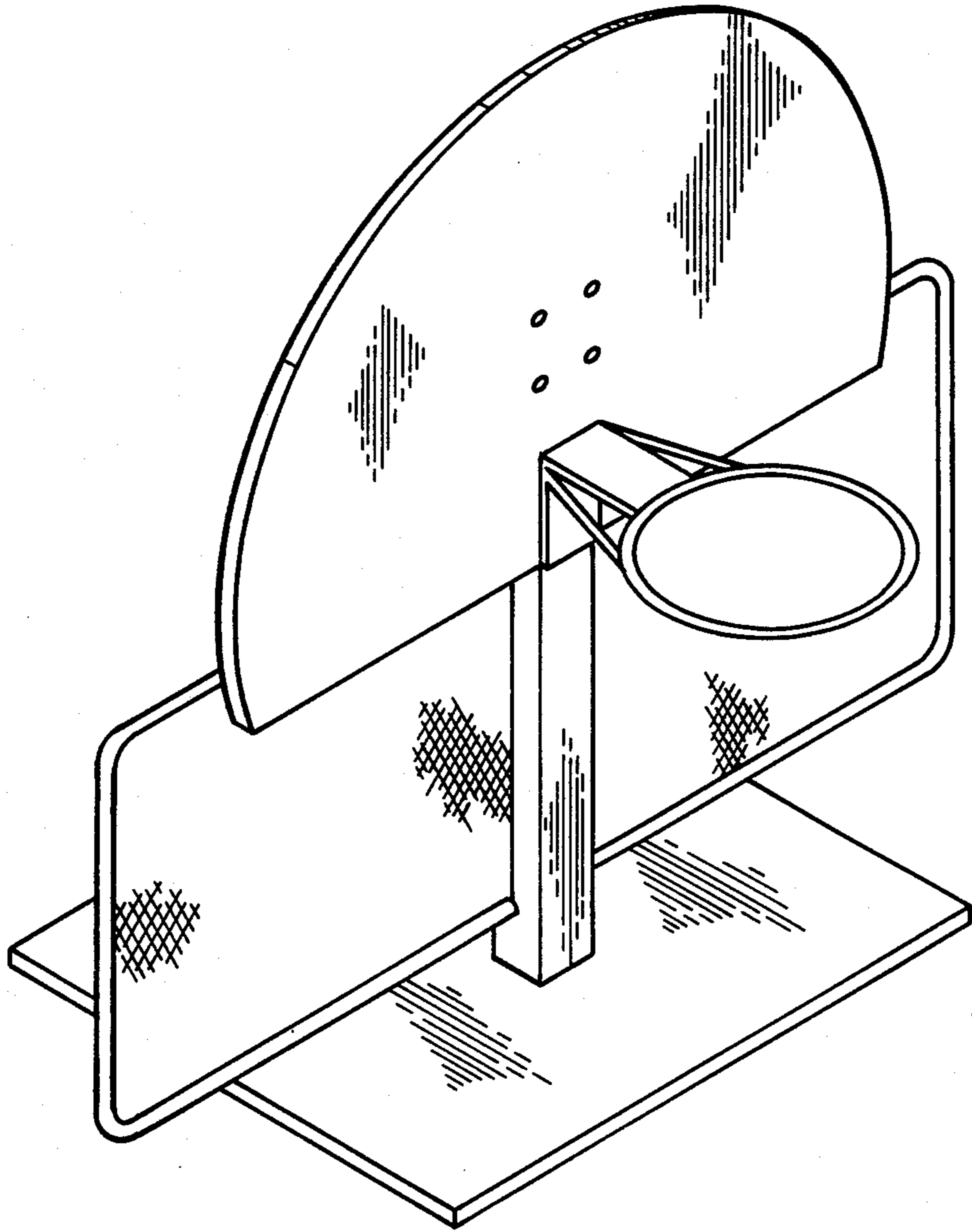


Fig. 1

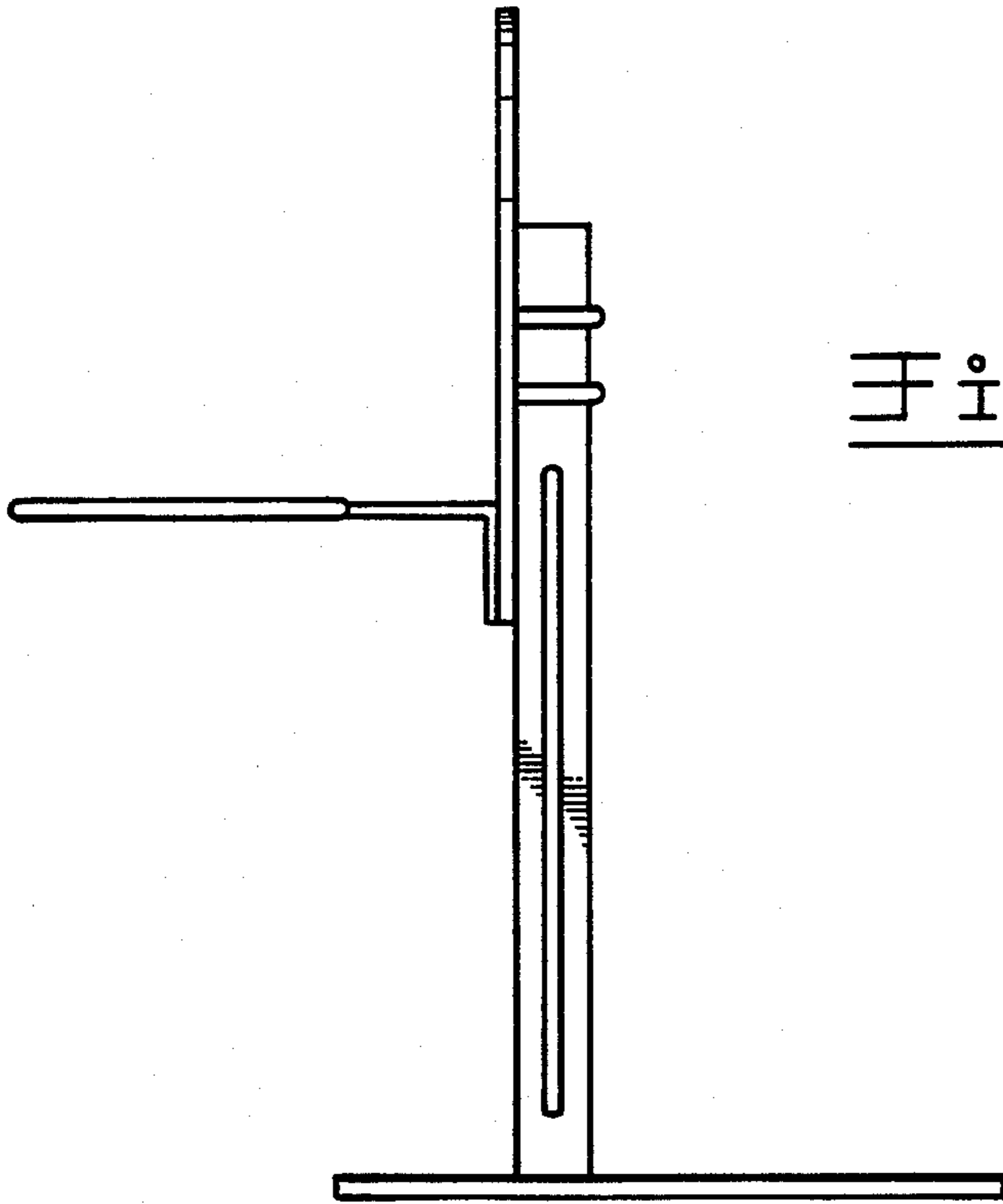


Fig. 2

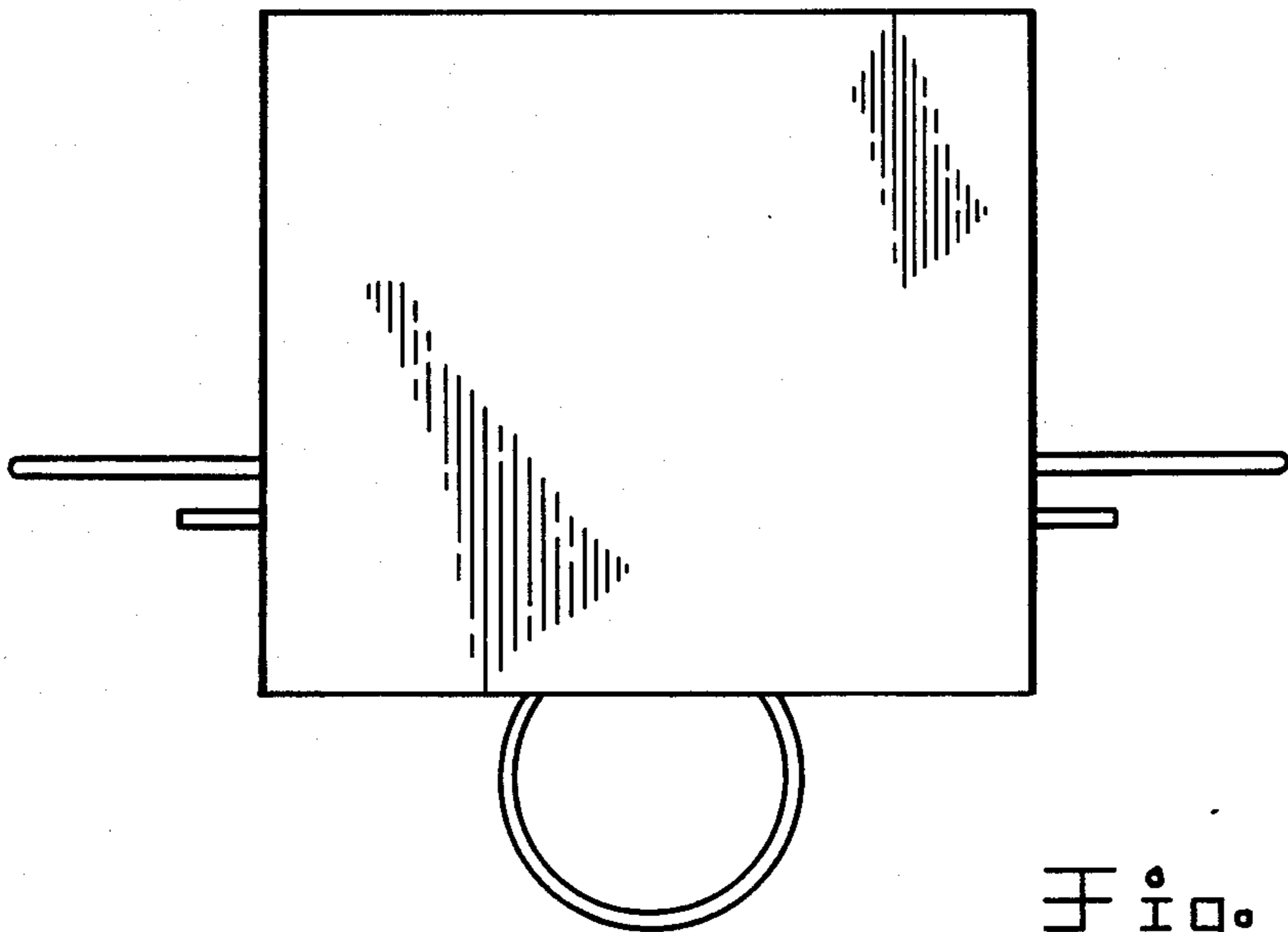


Fig. 3

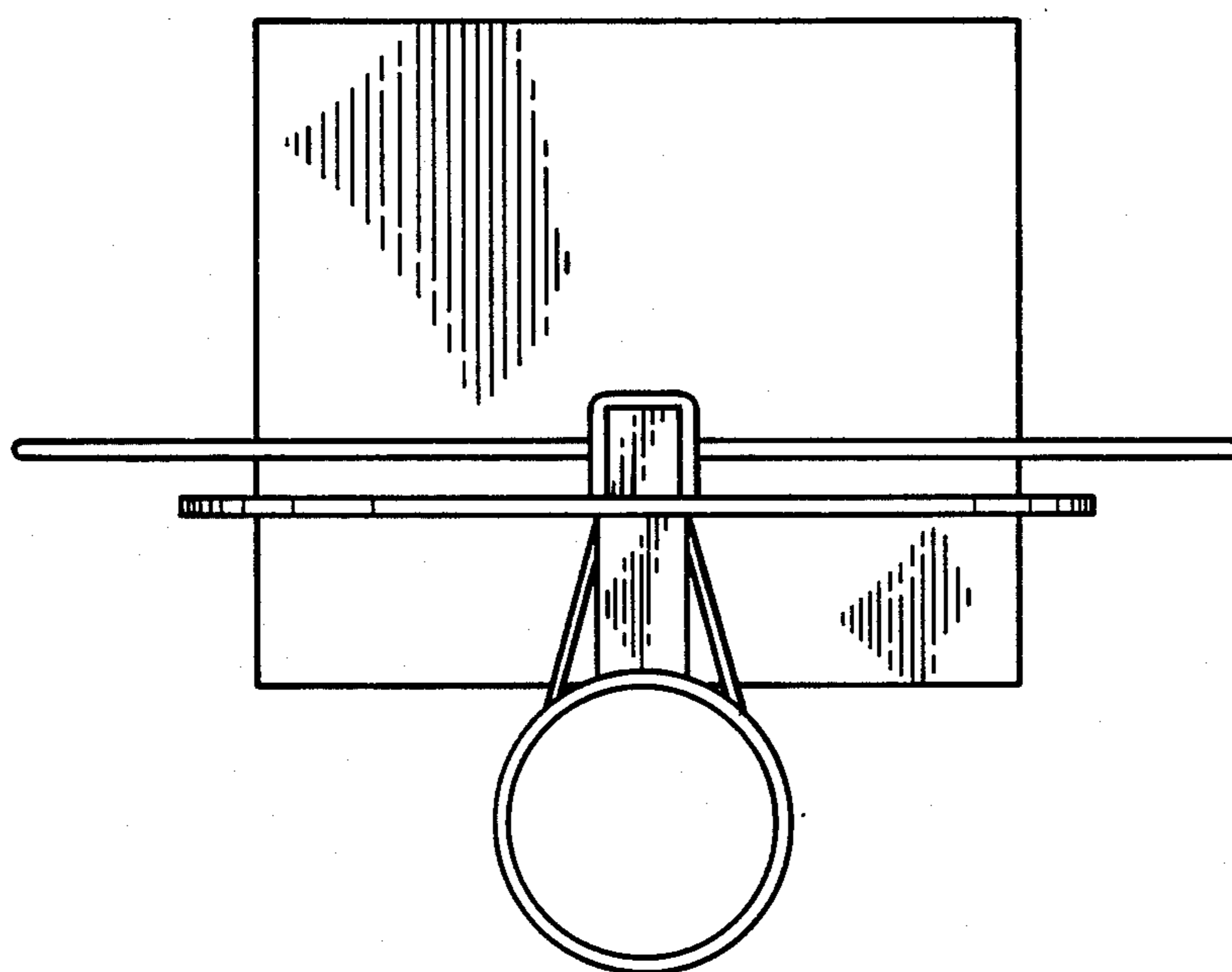


Fig. 4

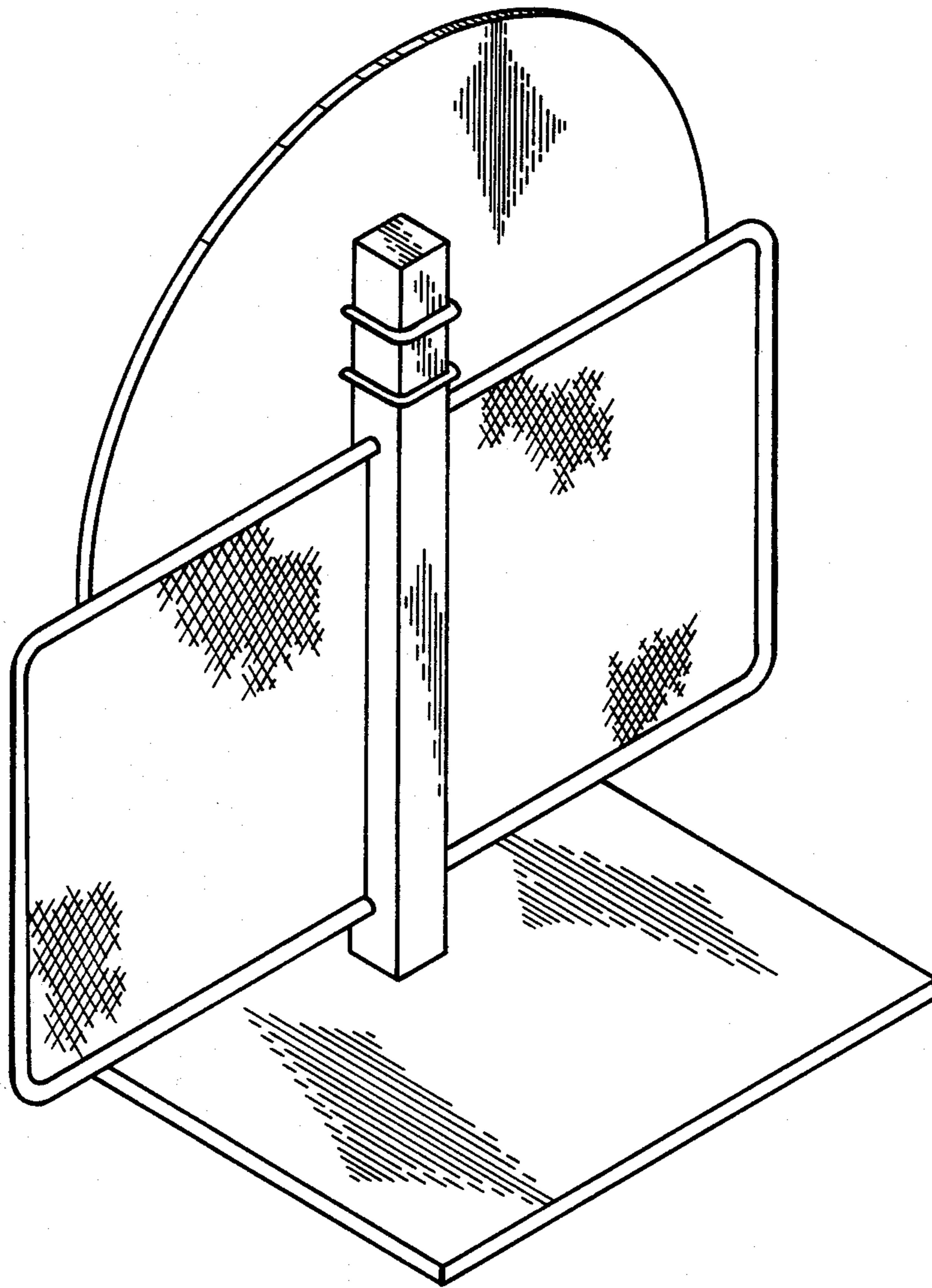


Fig. 5