

[54] EXERCISE CYCLE

[75] Inventor: Jose L. Beistegui, Vitoria Alava, Spain

[73] Assignee: B.H., S.A., Madrid, Spain

[\*\*] Term: 14 Years

[21] Appl. No.: 895,190

[22] Filed: Aug. 11, 1986

[30] Foreign Application Priority Data

Feb. 12, 1986 [ES] Spain ..... 109.971

[52] U.S. Cl. .... D21/194

[58] Field of Search ..... D21/191-197, D21/199; 272/70.3, 73, 132, DIG. 6; 73/379

[56] References Cited

U.S. PATENT DOCUMENTS

D. 280,003 8/1985 Kiiski ..... D21/194

D. 281,520	11/1985	Kiiski	.....	D21/194
D. 285,816	9/1986	Berntsson	.....	D21/194
D. 289,669	5/1987	Kasuba et al.	.....	D21/194
D. 291,713	9/1987	Kiiski	.....	D21/194
D. 293,598	1/1988	Kiiski	.....	D21/194
4,673,178	6/1987	Dwight	.....	272/73

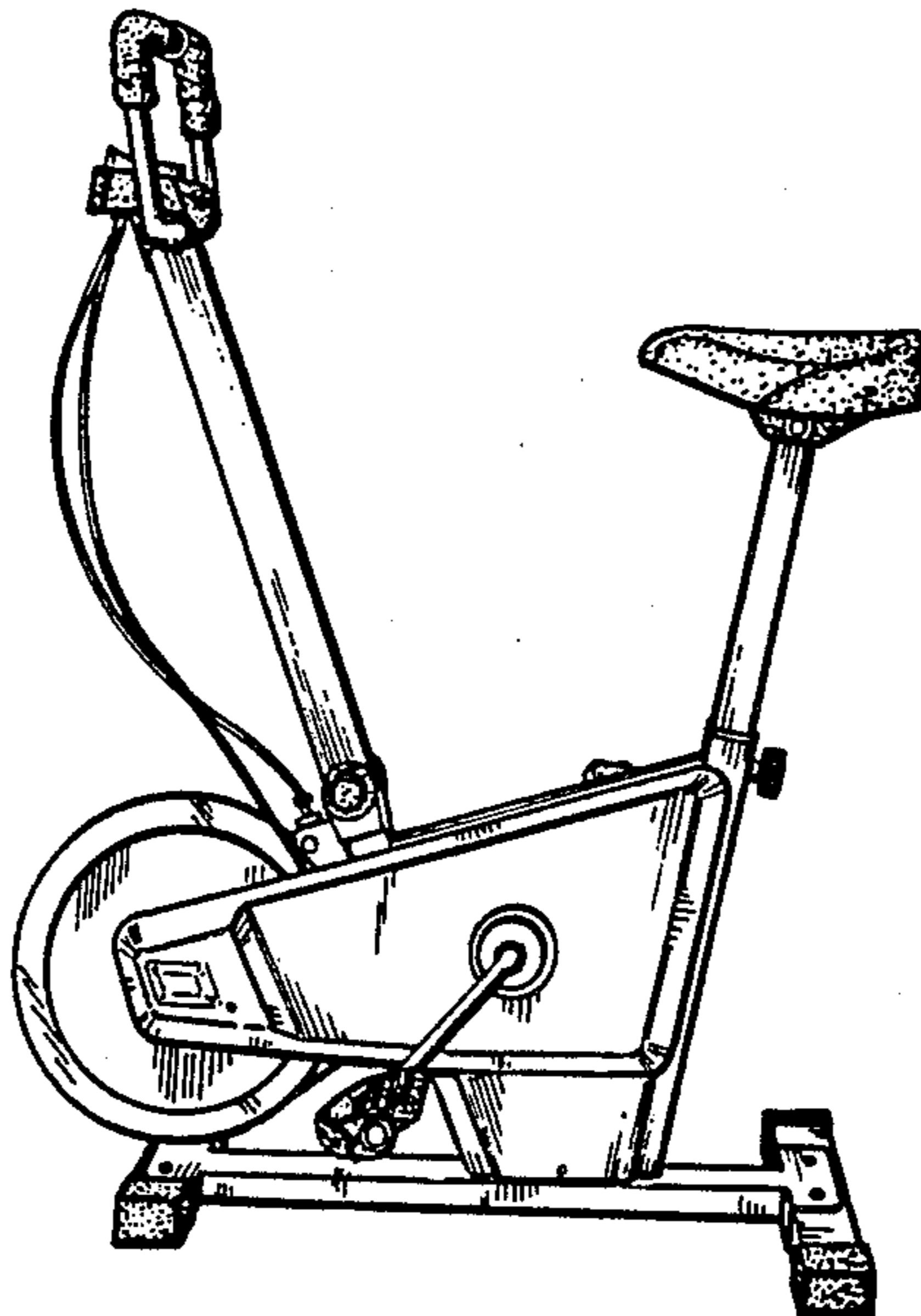
Primary Examiner—Charles A. Rademaker  
Attorney, Agent, or Firm—Ladas & Parry

[57] CLAIM

The ornamental design for an exercise cycle, as shown.

DESCRIPTION

FIG. 1 is a side perspective view of an exercise cycle showing my new design;  
FIG. 2 is a side perspective view thereof showing the side opposite that shown in FIG. 1;  
FIG. 3 is a rear perspective view thereof;  
FIG. 4 is a front perspective view thereof;  
FIG. 5 is a bottom plan view thereof; and,  
FIG. 6 is a top perspective view thereof.



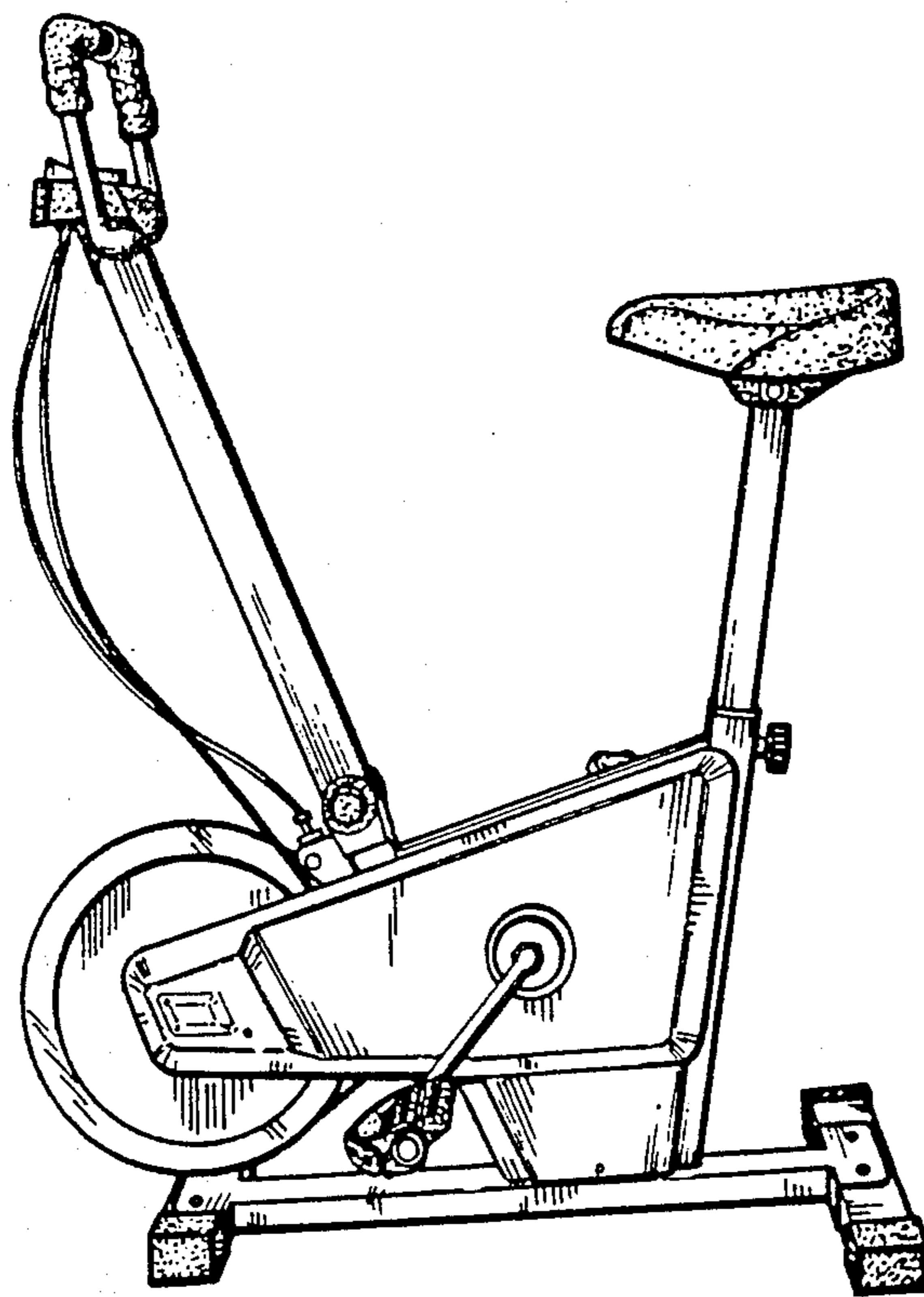


FIG. 1

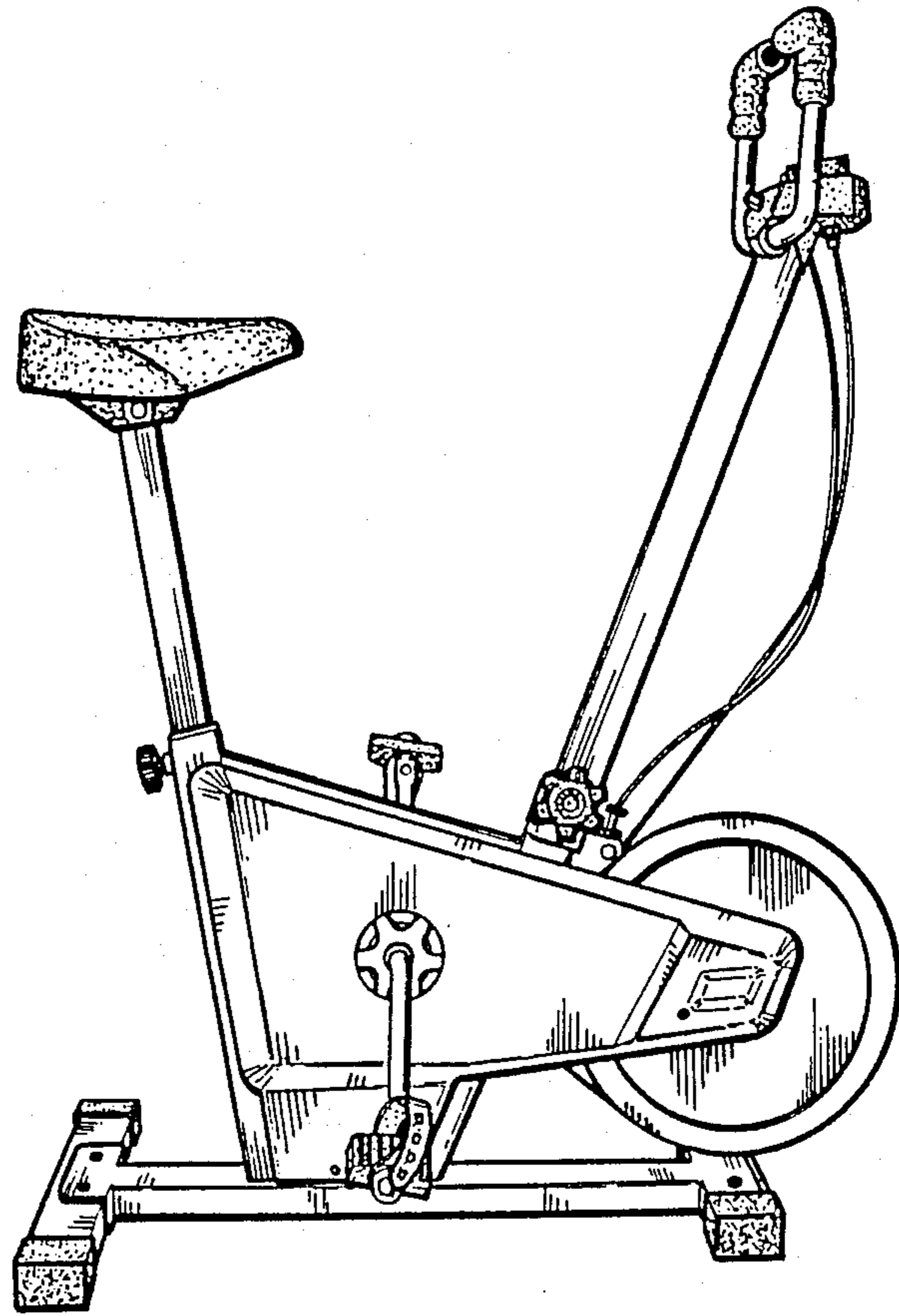


FIG. 2

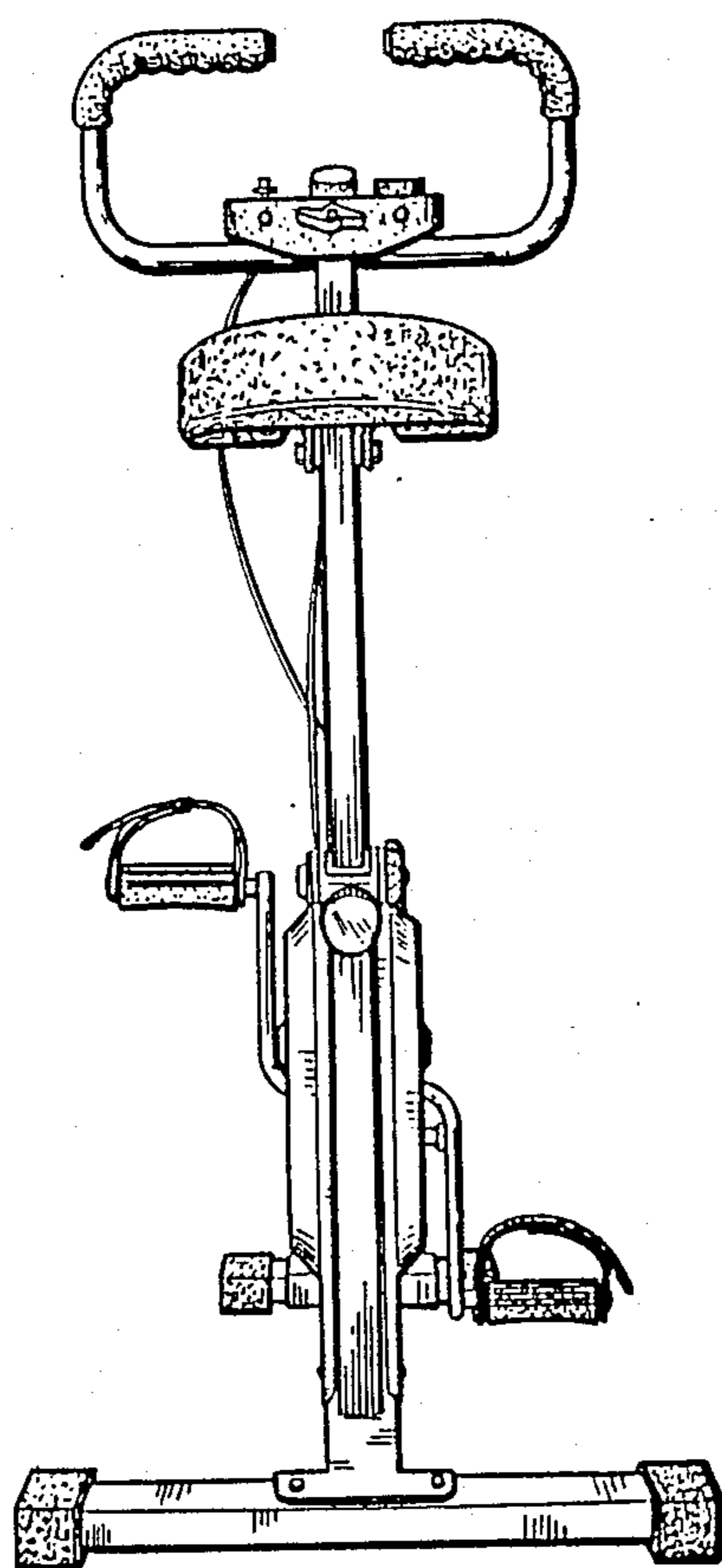


FIG. 3

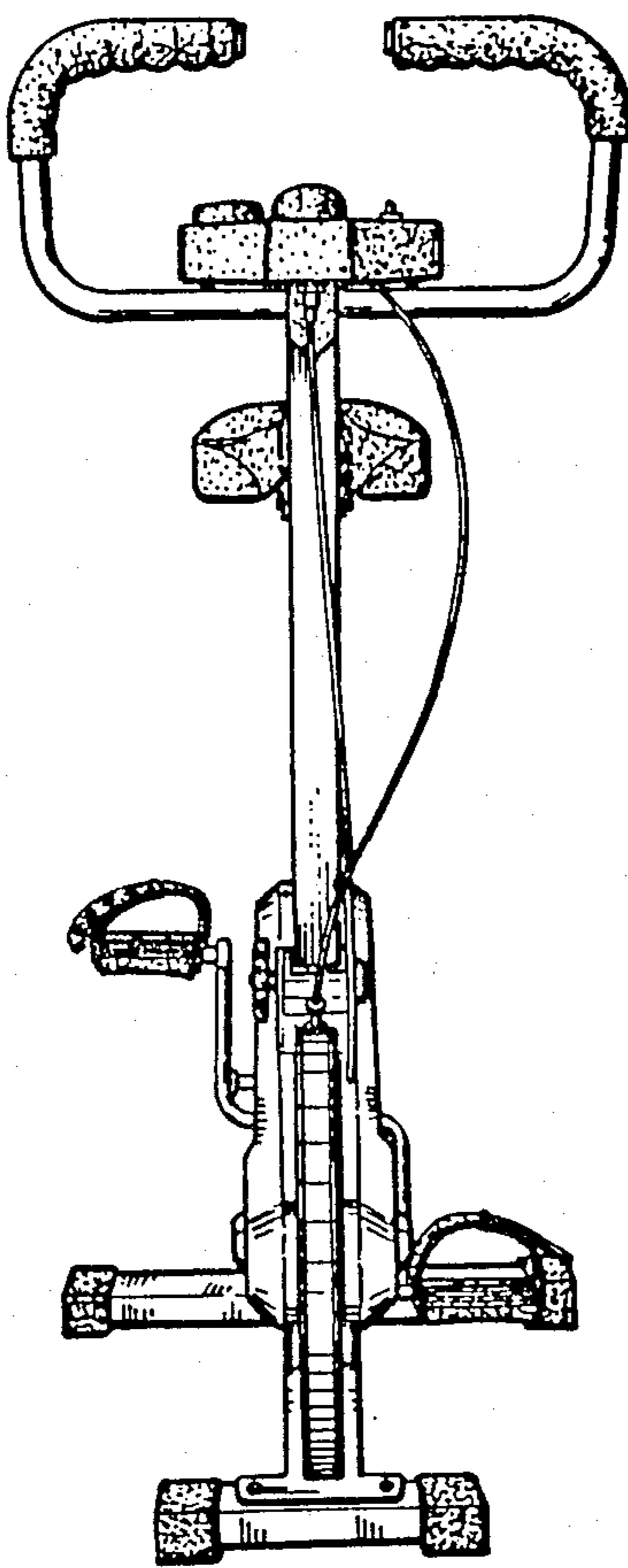


FIG. 4

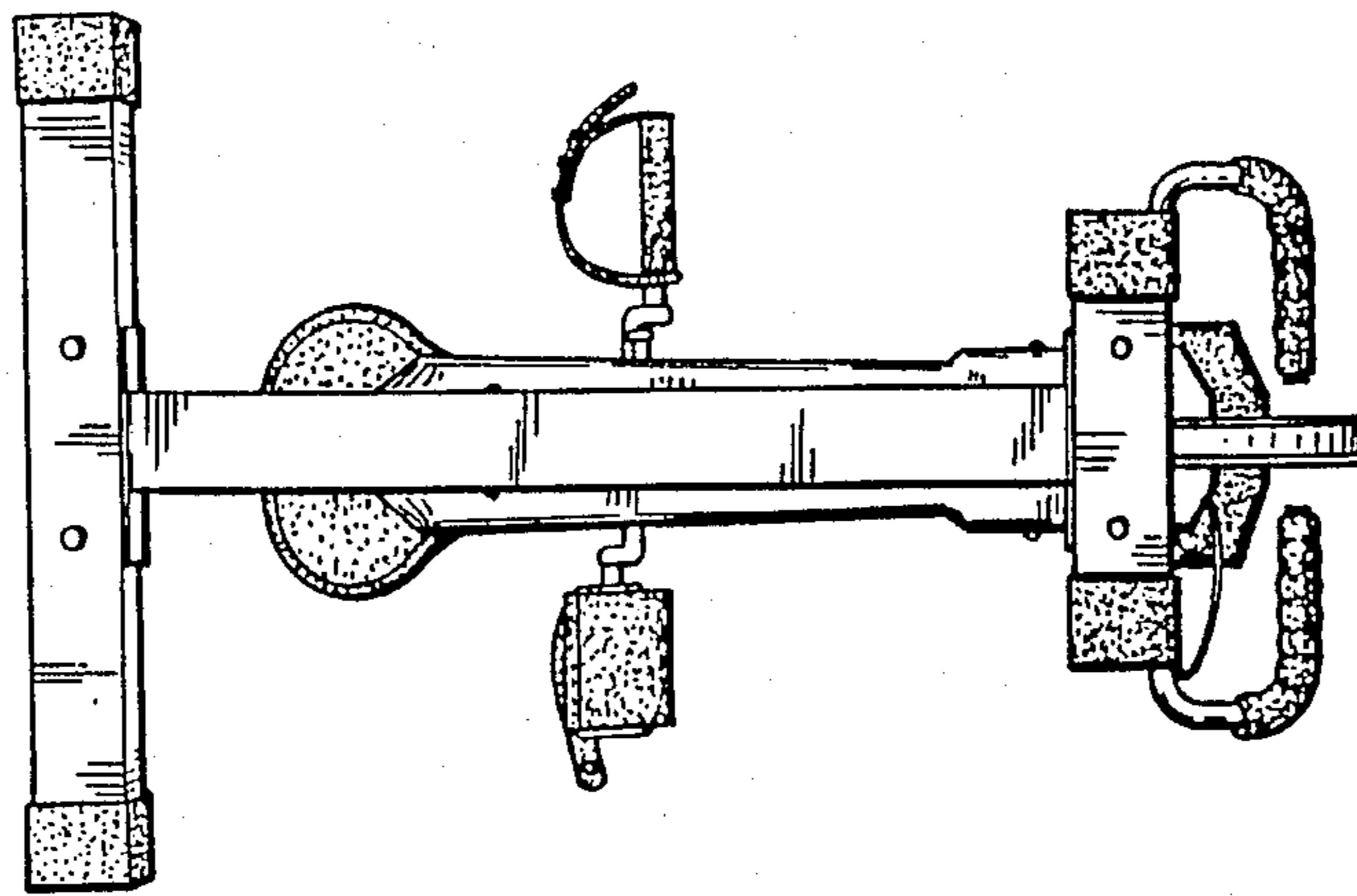


FIG. 5

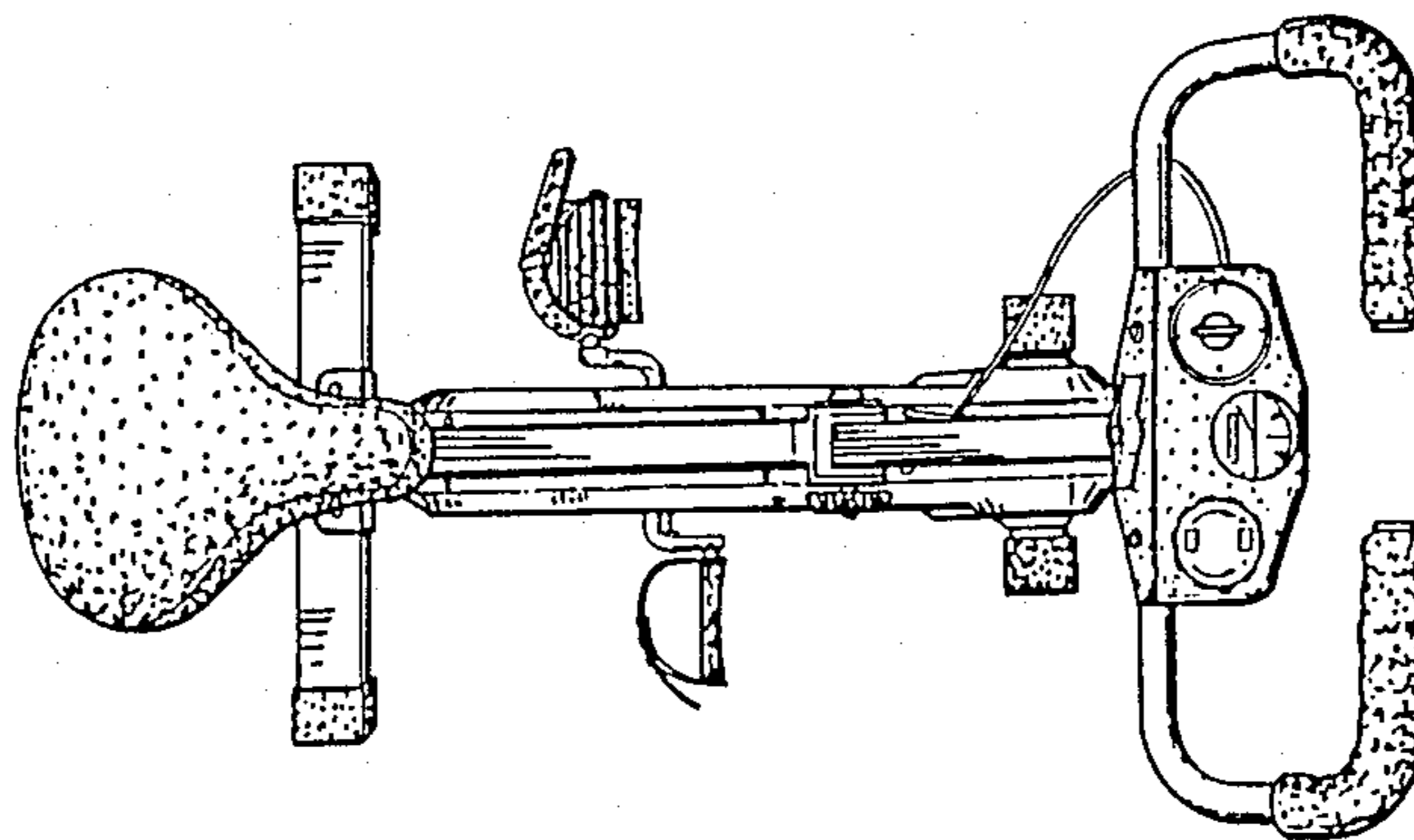


FIG. 6