

[54] WHITEBOARD WITH PHOTOCOPIER

[76] Inventors: Kazuhito Takai; Norimi Koiwa; Masami Suda, all of c/o Oki Electric Industry Co., Ltd., 7-12, Toranomon 1 chome, Minatoku, Tokyo, Japan

[**] Term: 14 Years

[21] Appl. No.: 781,962

[22] Filed: Sep. 30, 1985

[30] Foreign Application Priority Data

Apr. 8, 1985 [JP] Japan DES60-13854

[52] U.S. Cl. D19/52; D16/30

[58] Field of Search D19/35, 36, 52, 65, D19/95, 99, 100; 248/441.1, 454, 457, 458; 355/3 R, 5, 7; D16/27, 30

[56] References Cited

U.S. PATENT DOCUMENTS

D. 213,625 3/1969 Jensen D19/52

OTHER PUBLICATIONS

Beckley-Cardy Company School Buyer's Guide-School Year 1959-1960, p. 64A-Style AMS.

Primary Examiner—Melvin B. Feifer
Assistant Examiner—Theodore M. Shooman
Attorney, Agent, or Firm—Peter L. Berger

[57] CLAIM

The ornamental design for whiteboard with photocopier, as shown and described.

DESCRIPTION

FIG. 1 is a front elevational view of whiteboard with photocopier showing our new design;
FIG. 2 is a top plan view thereof;
FIG. 3 is a rear elevational view thereof;
FIG. 4 is a bottom plan view thereof;
FIG. 5 is a left side elevational view thereof;
FIG. 6 is a right side elevational view thereof;
FIG. 7 is a front and left side perspective view thereof;
FIG. 8 is a sectional view thereof, taken along line 8—8 of FIG. 1;
FIG. 9 is a front and left side perspective view thereof; and
FIG. 10 is a front and left side perspective view thereof, shown with the board position rotated to a horizontal position.
The broken line showing of the indicia and the sheet of paper in FIG. 9 is for illustrative purposes only and forms no part of the claimed design.

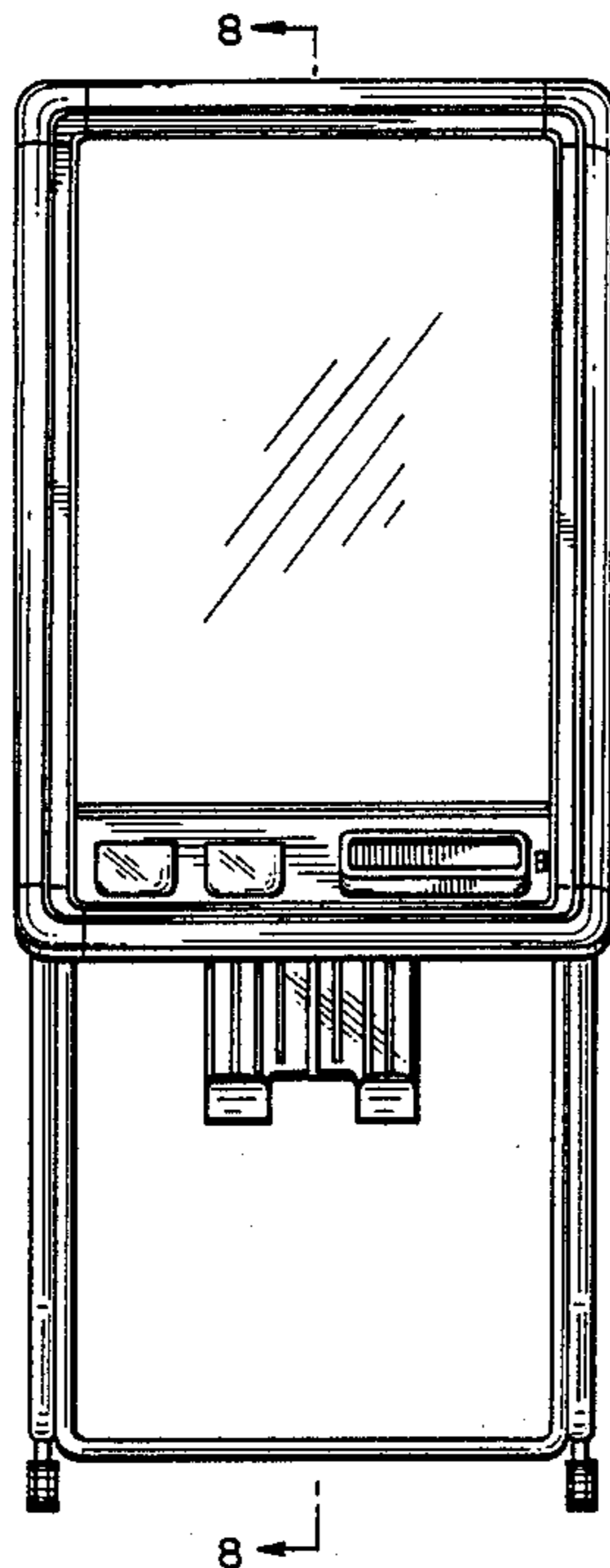


FIG. 1

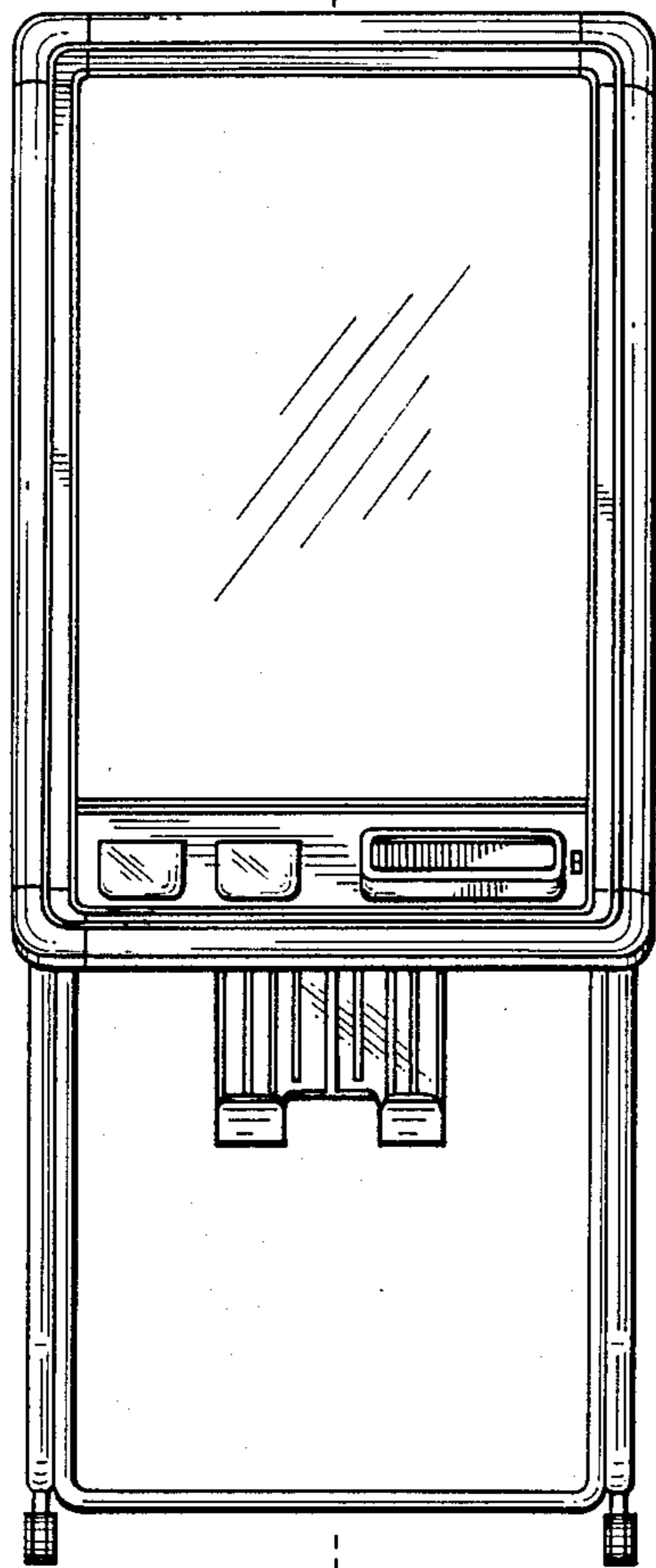


FIG. 3

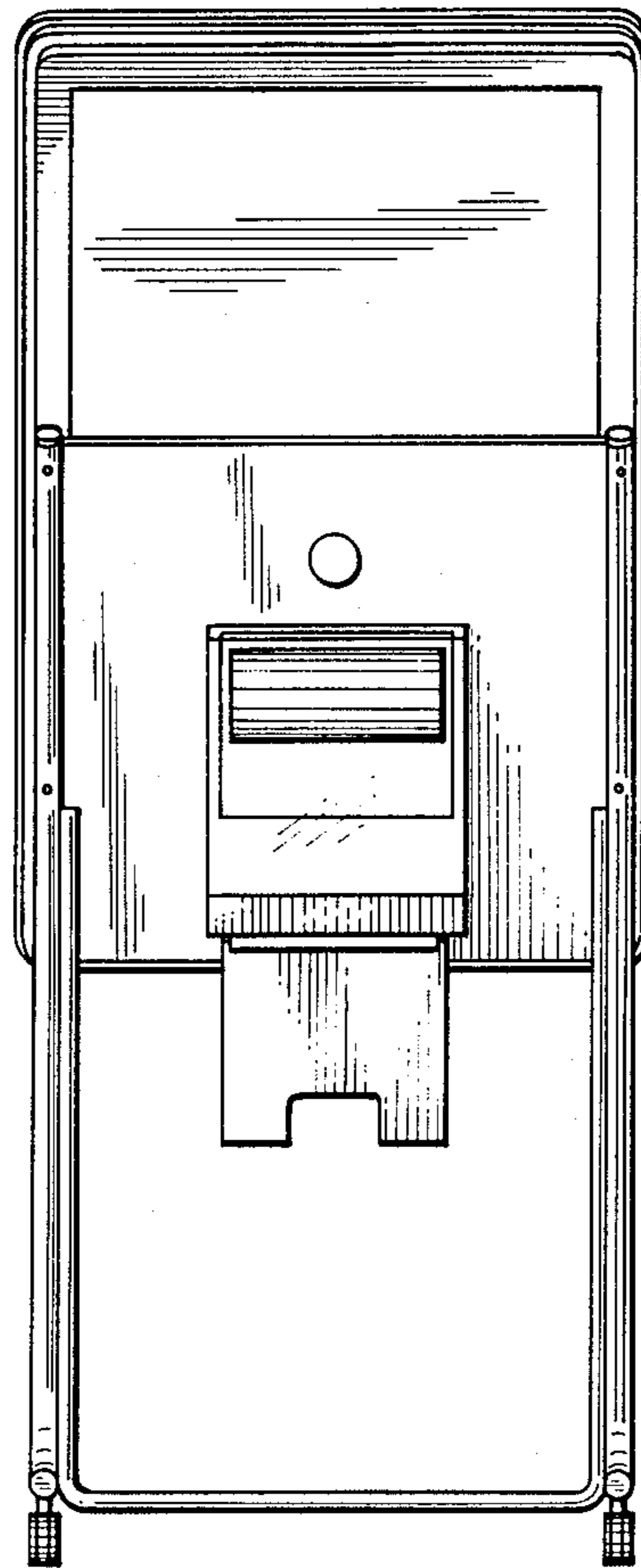


FIG. 2

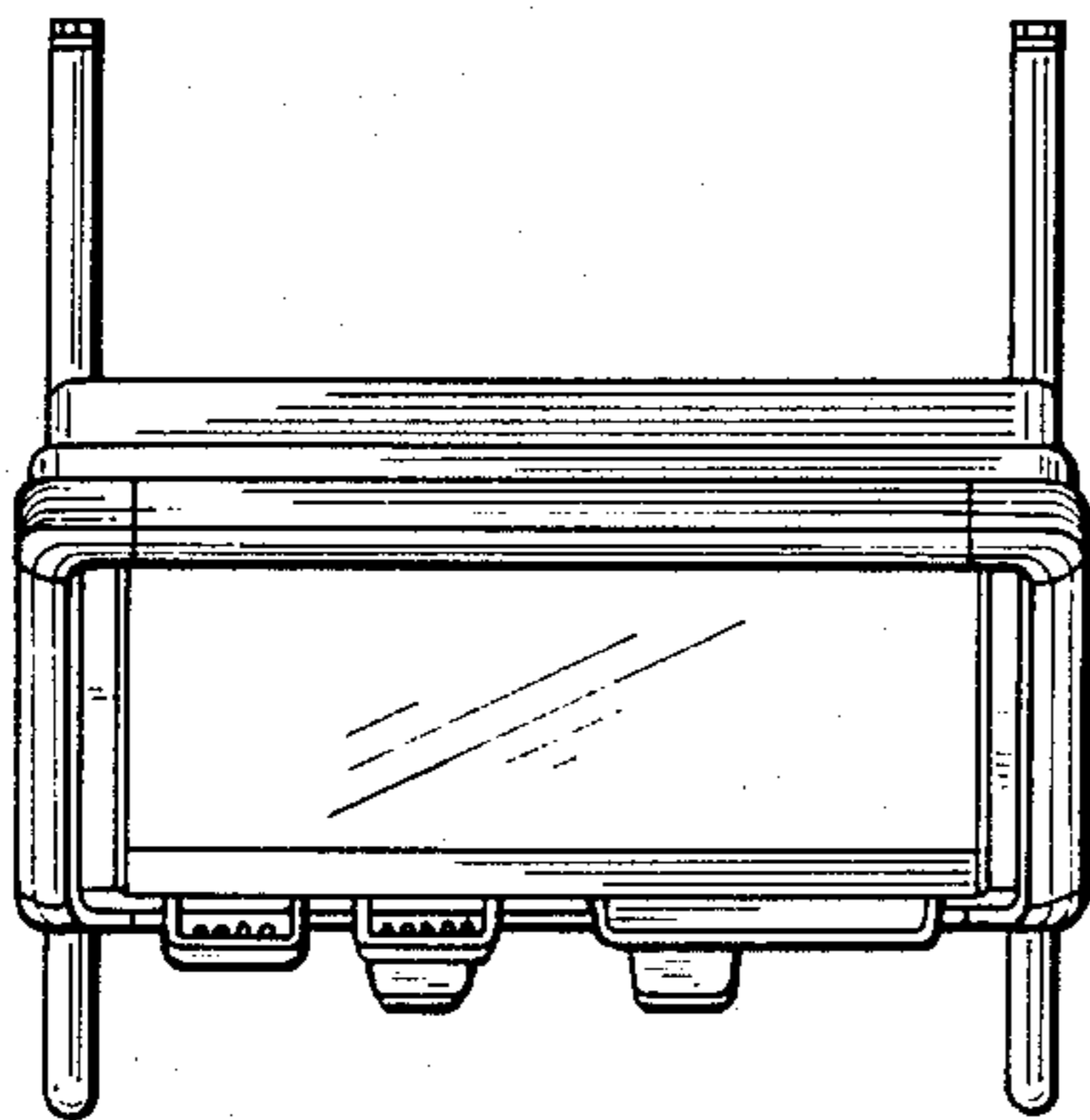


FIG. 4

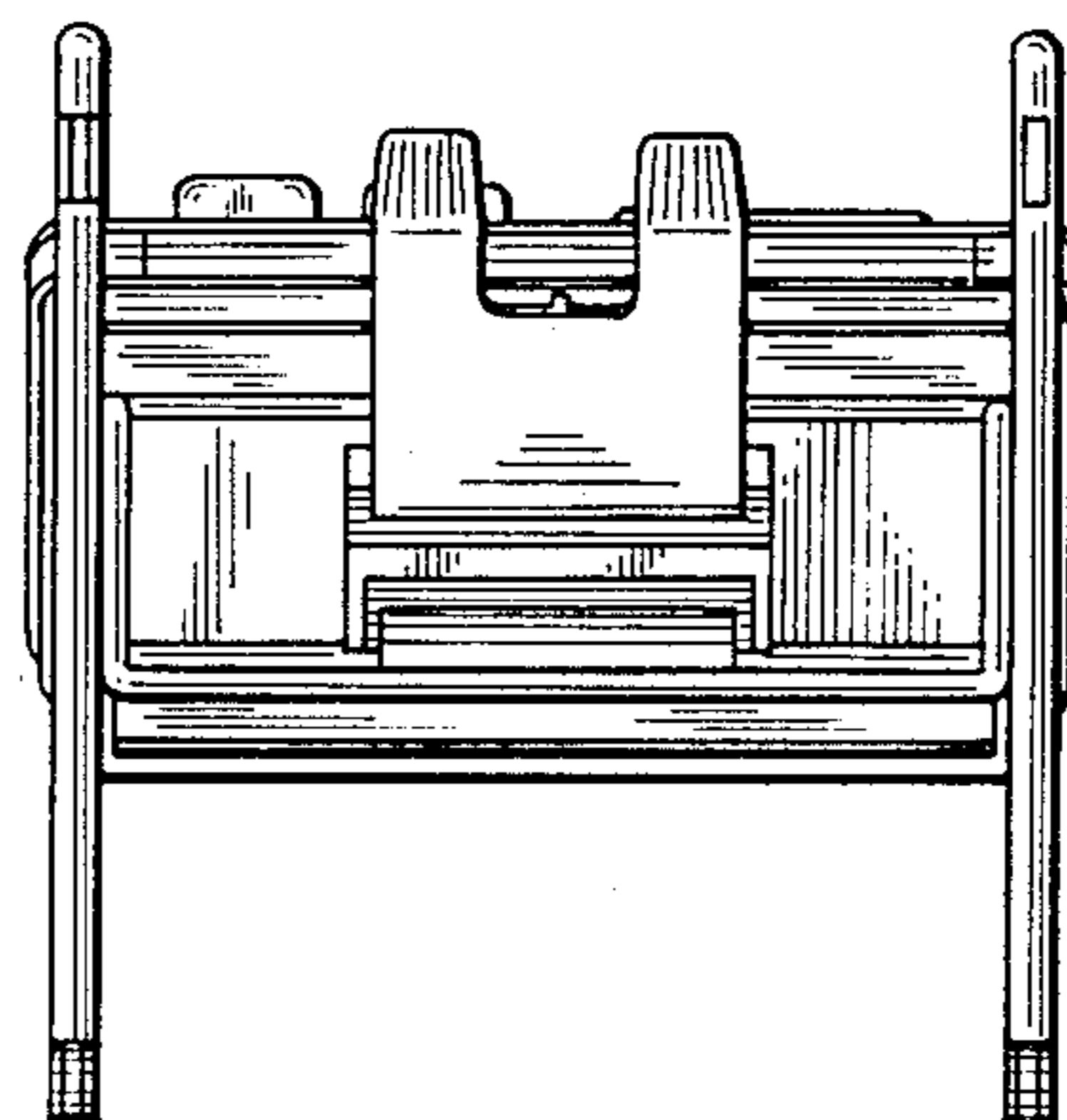


FIG. 5

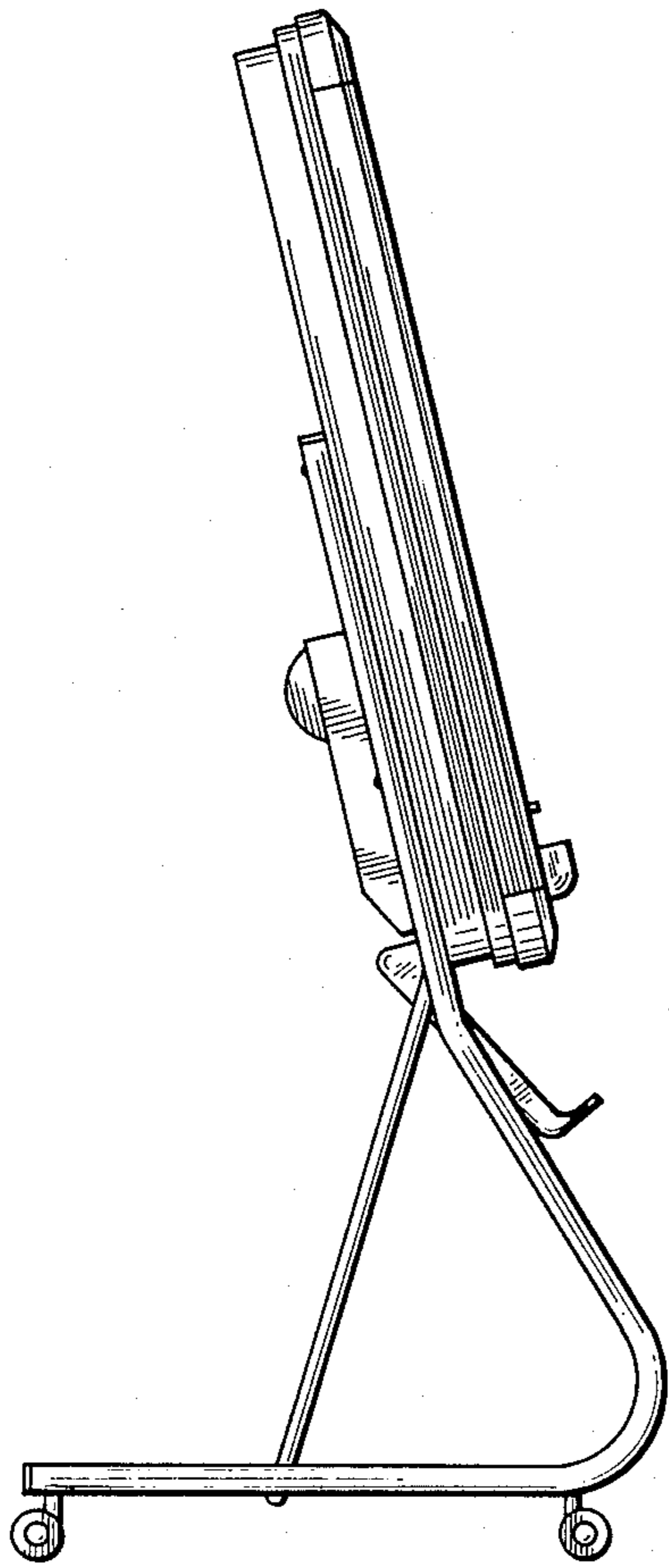


FIG. 6

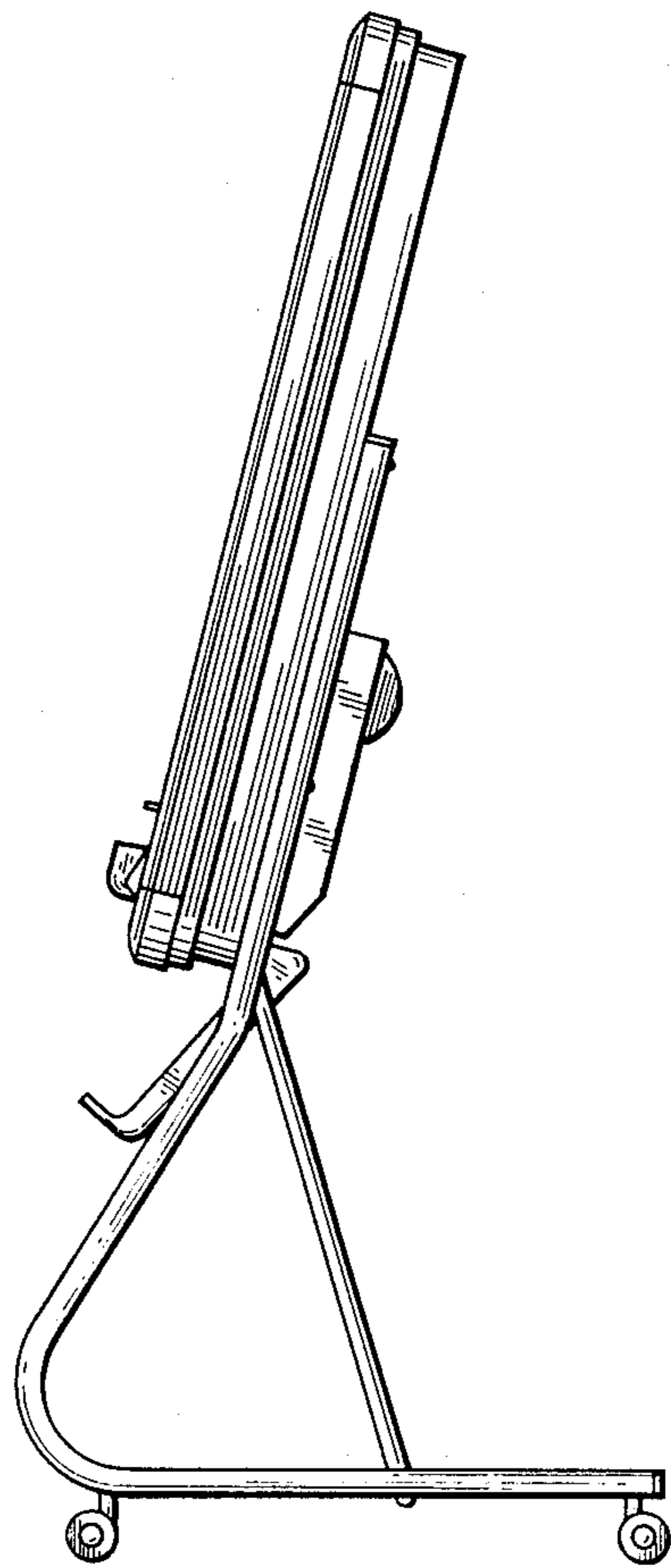


FIG. 7

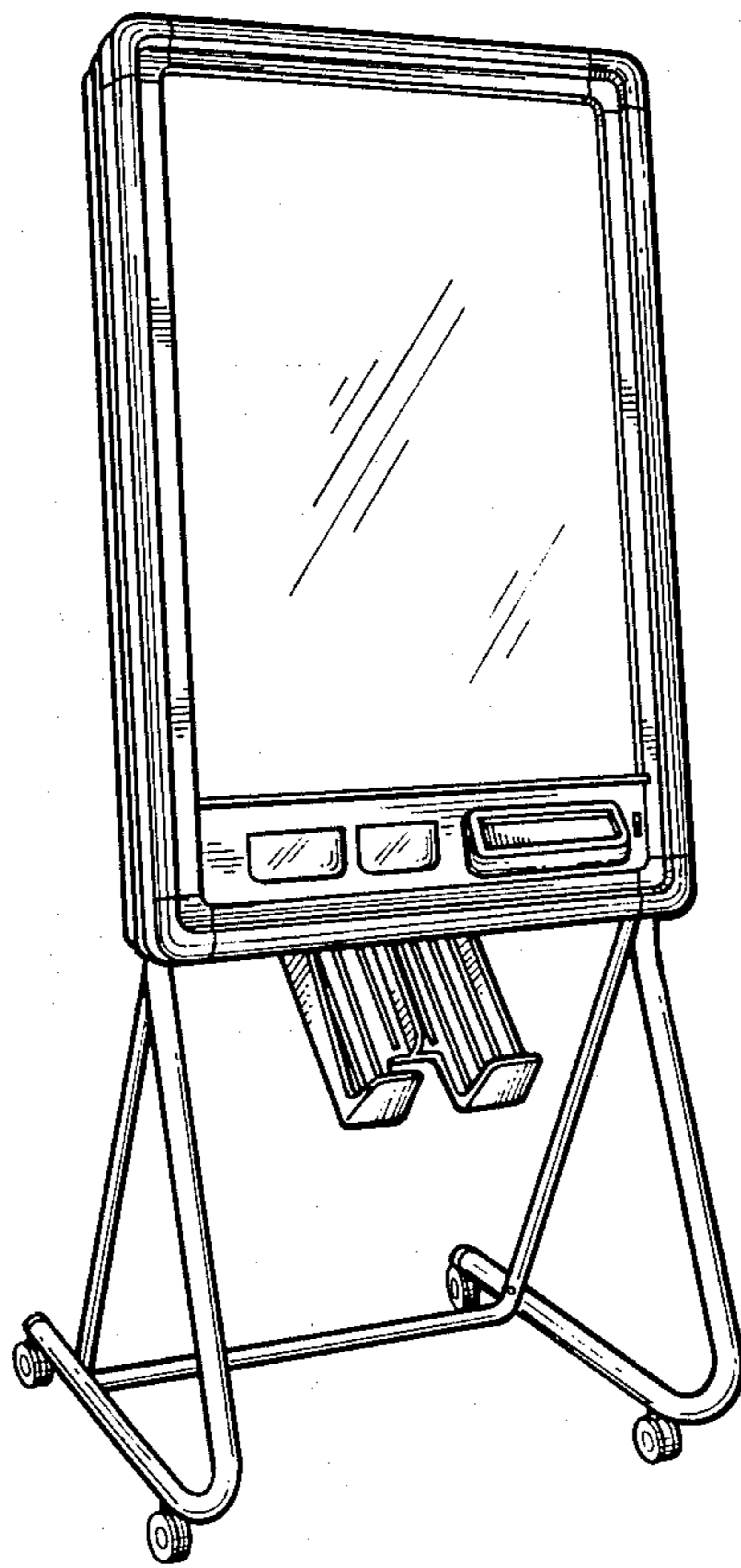


FIG. 8

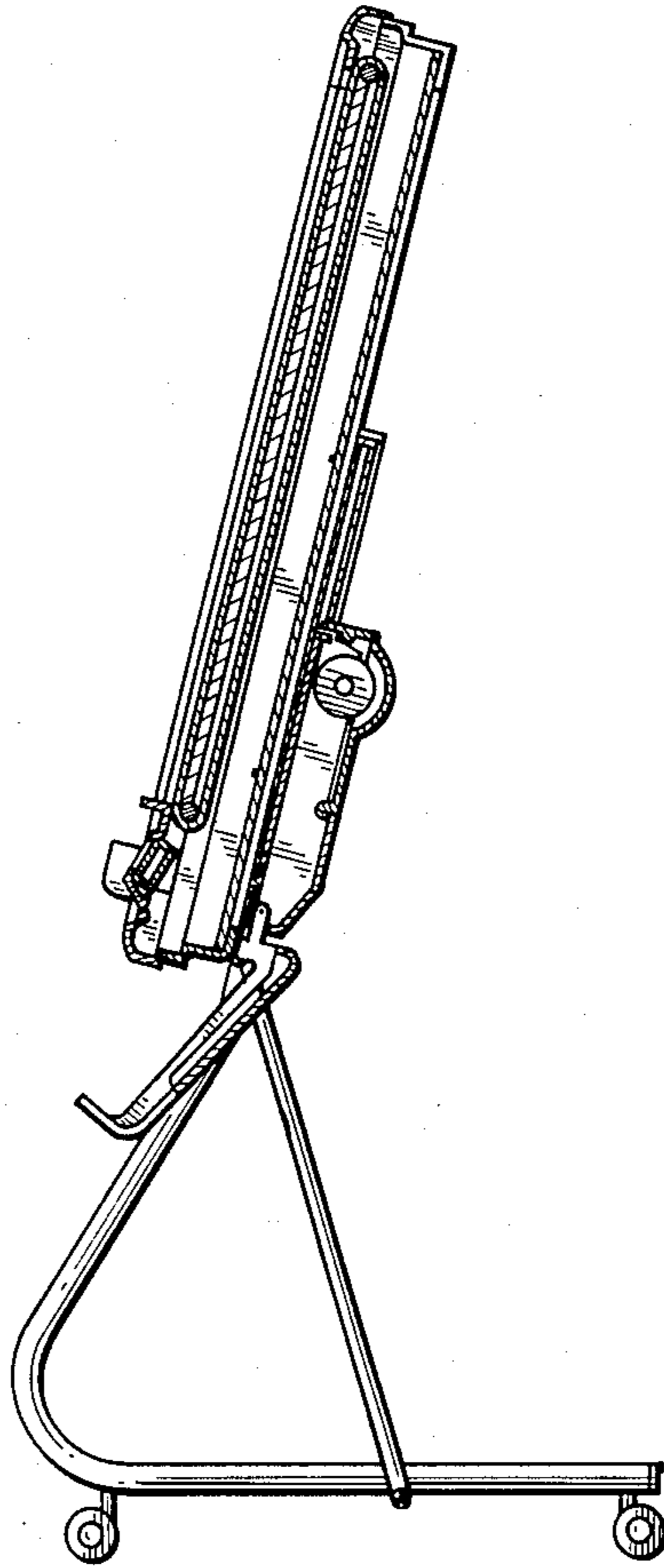


FIG. 9

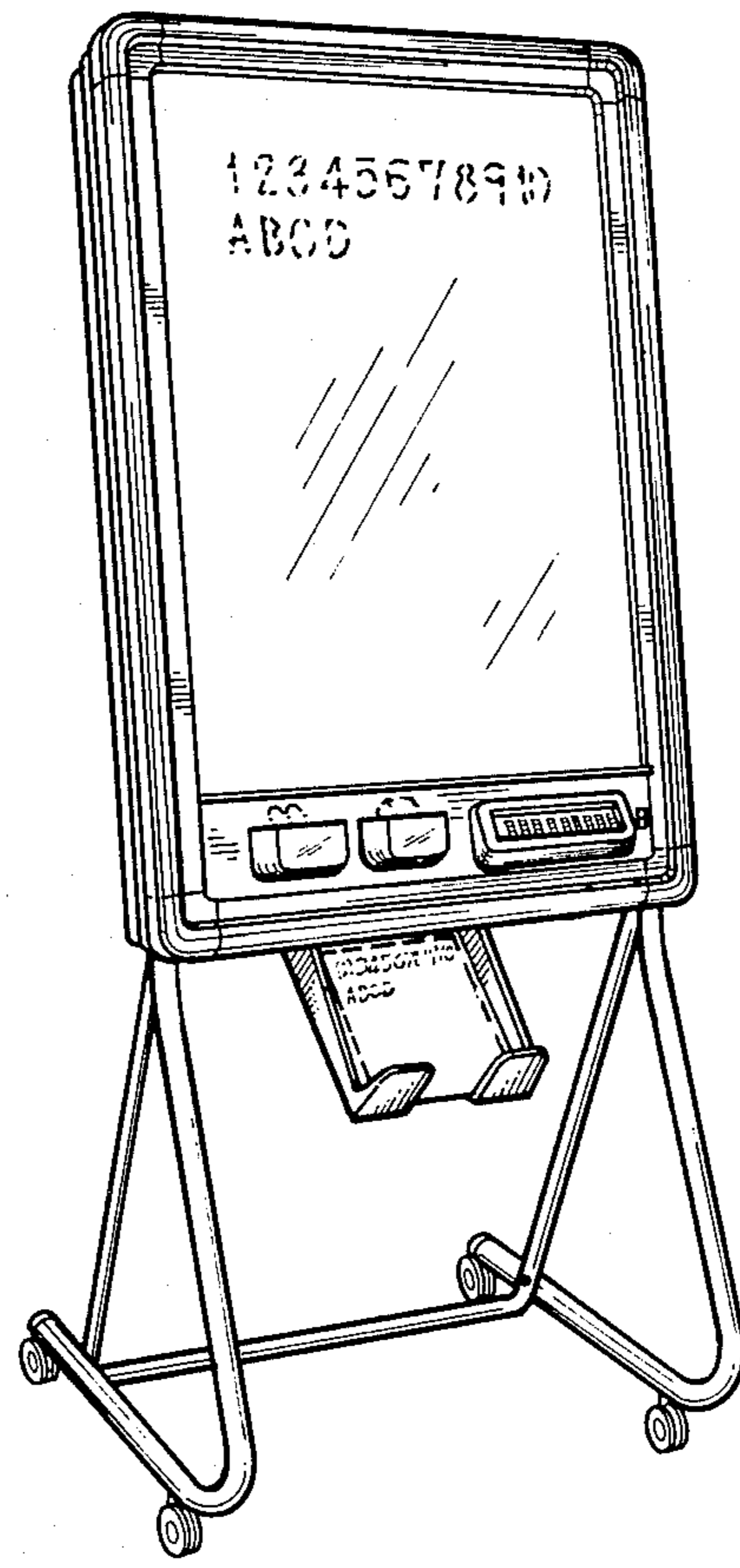


FIG.10

