

[54] CARD PEN

[76] Inventor: Robert Vinck, 3714 Bonita Glen Ter., Bonita, Calif. 92002

[**] Term: 14 Years

[21] Appl. No.: 920,954

[22] Filed: Oct. 20, 1986

[52] U.S. Cl. D19/41; D19/43; D19/42; D19/35

[58] Field of Search D19/35, 36, 41-51, D19/53-58, 65, 77, 81, 83, 84, 85; 401/195, 209, 6, 98

[56] References Cited

U.S. PATENT DOCUMENTS

D. 276,479	11/1984	Mori	D19/36
825,985	7/1906	De Schwertenberg	.	
3,092,244	10/1961	McWhirter	206/38
3,168,072	2/1965	Nitta	120/83
3,719,460	5/1971	Brockman	51/181
3,994,605	11/1976	McKnight	401/99

4,568,213	2/1986	Money	401/6
4,706,995	11/1987	Dopp	401/195

FOREIGN PATENT DOCUMENTS

2431377 2/1980 France .

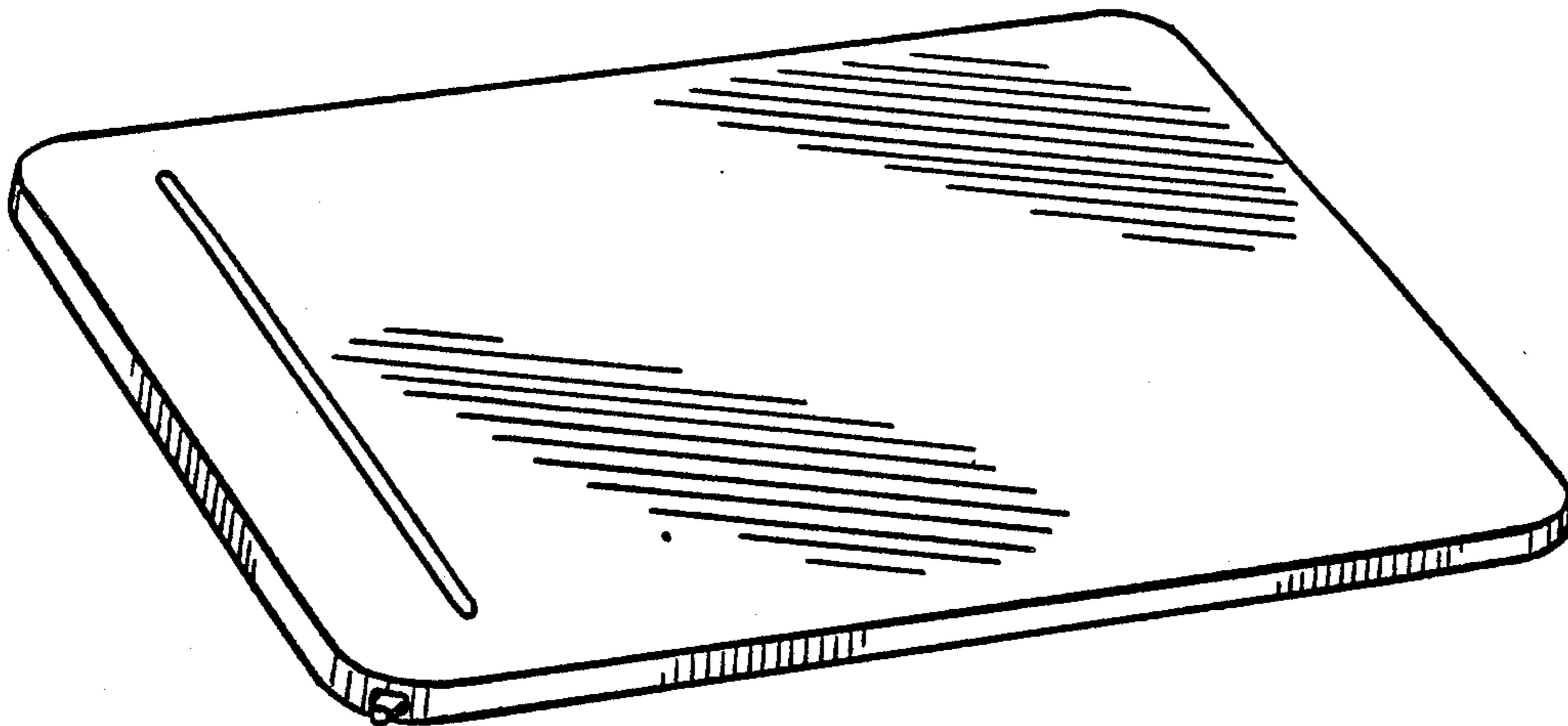
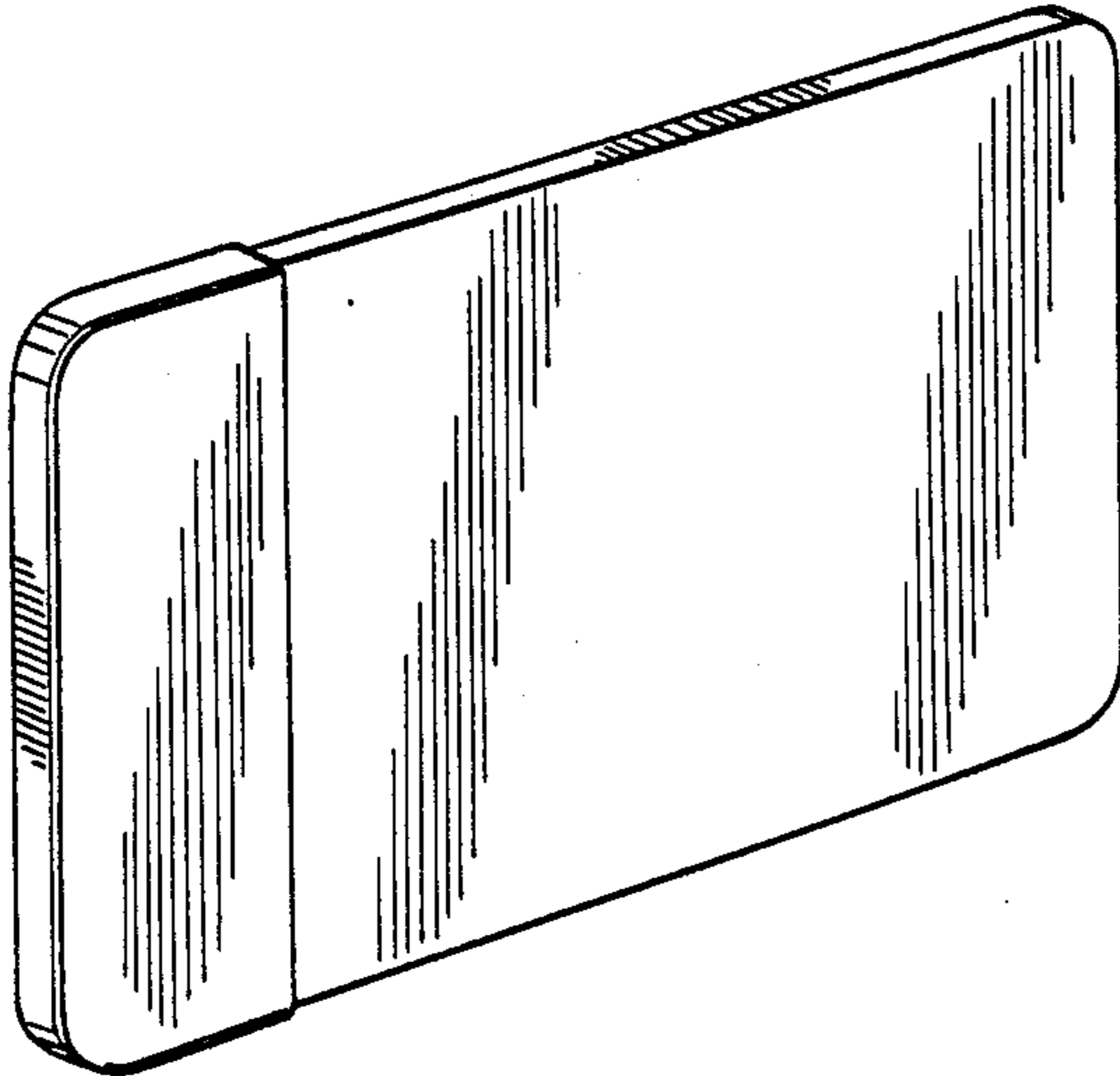
Primary Examiner—Bruce W. Dunkins
Assistant Examiner—Martha Thompson
Attorney, Agent, or Firm—Brown, Martin, Haller & McClain

[57] CLAIM

The ornamental design for a card pen, as shown.

DESCRIPTION

FIG. 1 is a perspective view of a card pen, showing my new design;
FIG. 2 is an end elevational view;
FIG. 3 is a side elevational view;
FIG. 4 is a top plan view thereof;
FIG. 5 is a perspective view with the cap member removed for convenience of illustration; and
FIG. 6 is a bottom plan view thereof.



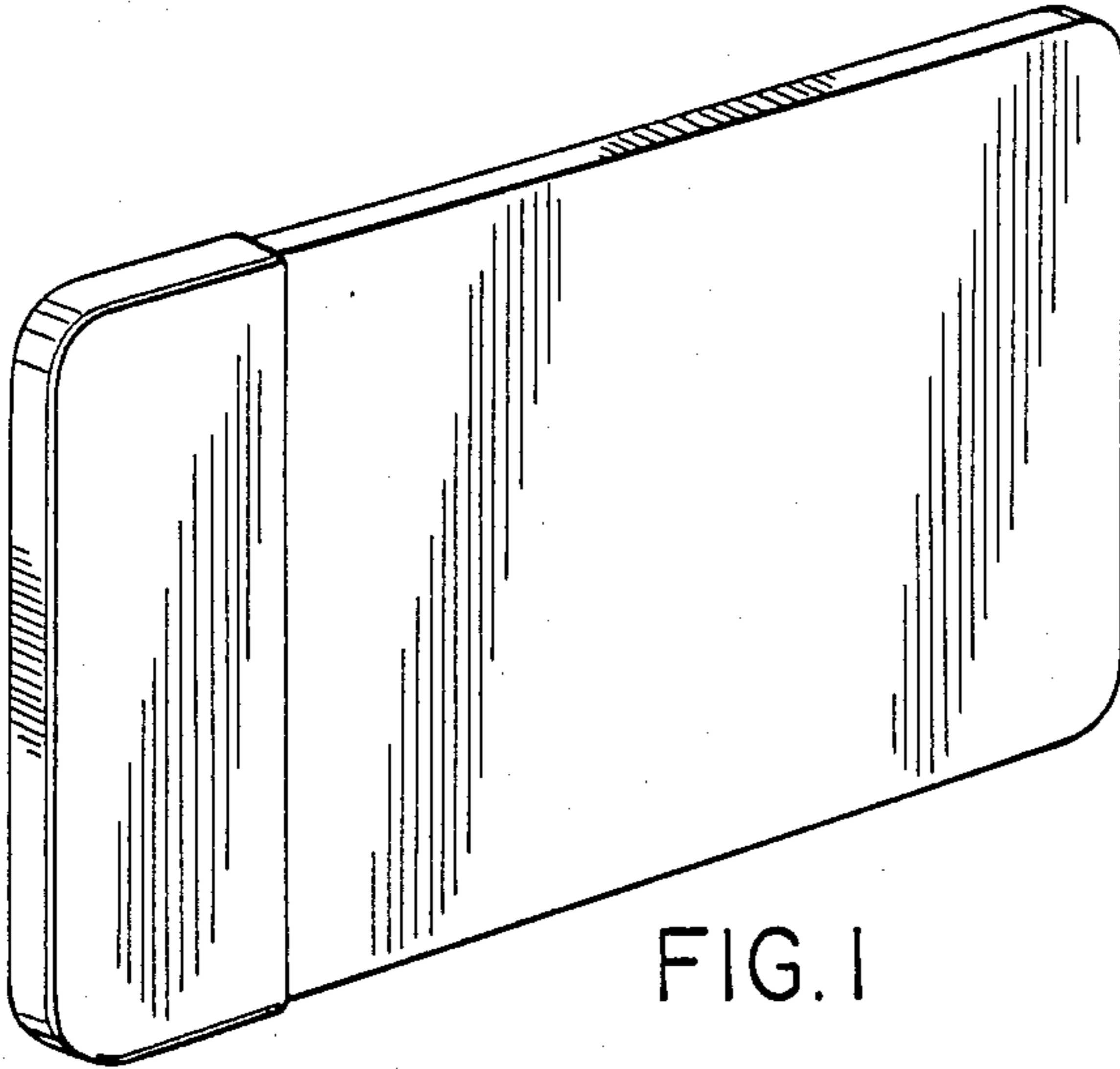


FIG. 1



FIG. 2

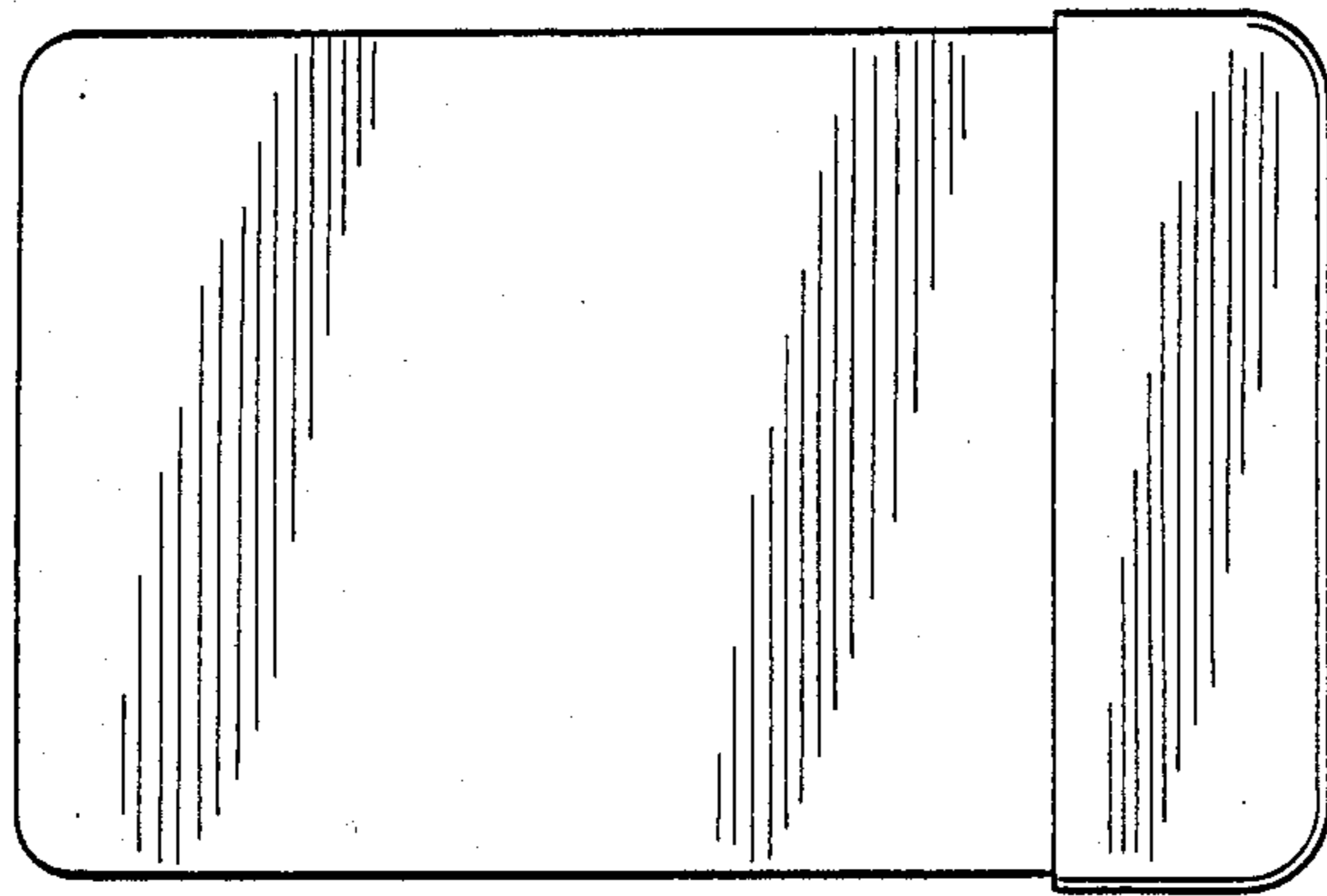


FIG. 3



FIG. 4

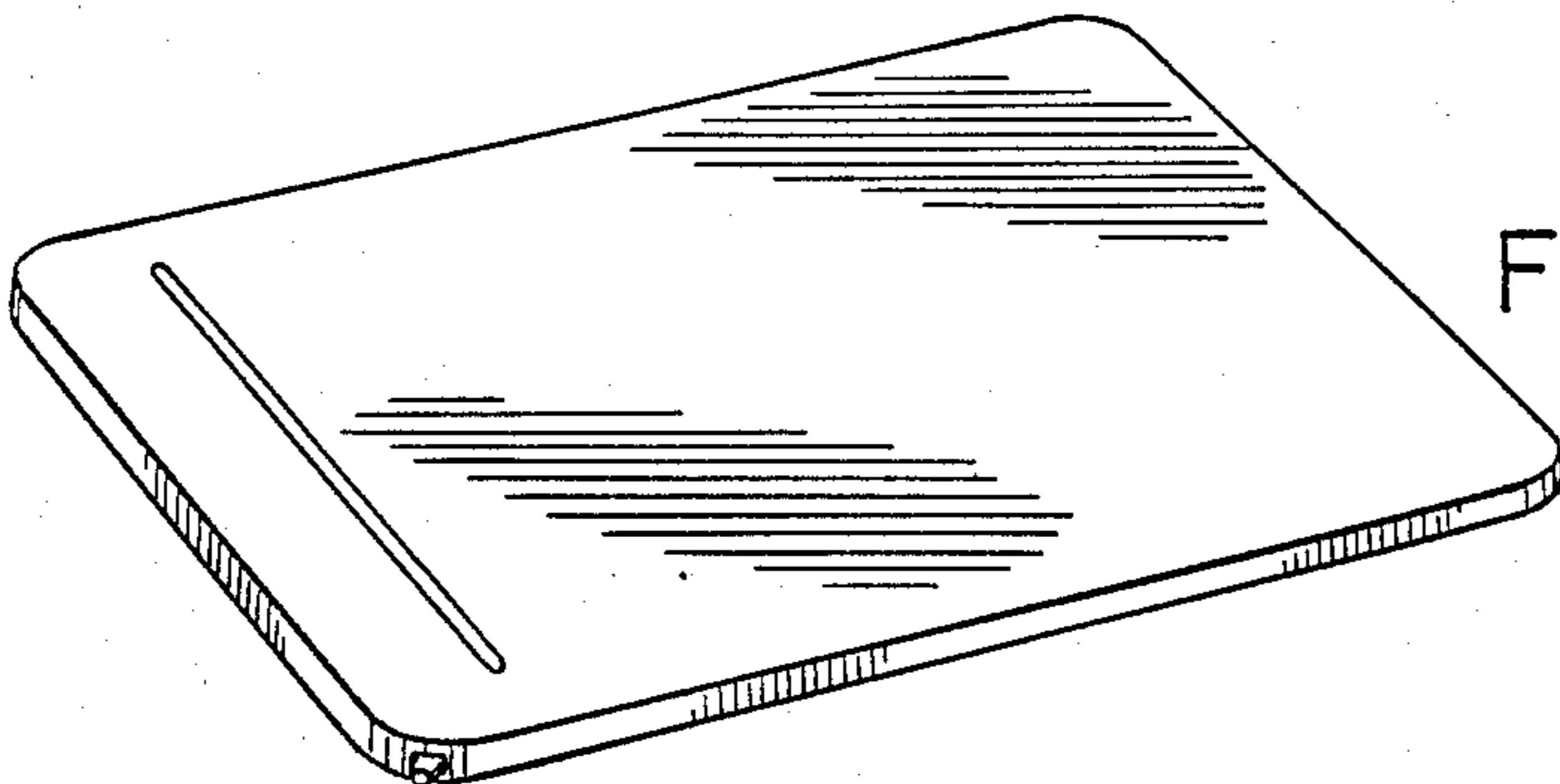


FIG. 5

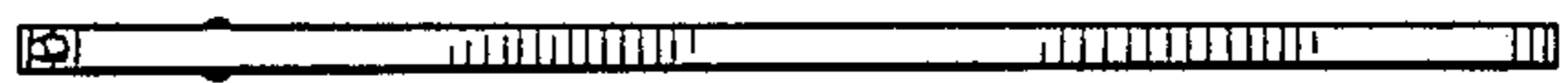


FIG. 6