

[54] STARTER MOUNTING ASSEMBLY FOR AN AIRCRAFT ENGINE

[76] Inventor: William C. Bainbridge, III, P.O. Box B. 123 E. 4th St., Newton, Kans. 67114-0894

[**] Term: 14 Years

[21] Appl. No.: 878,480

[22] Filed: Jun. 25, 1986

[52] U.S. Cl. D15/5

[58] Field of Search D13/1-3; D15/5; 290/38 R, 38 C, 48; 123/179 AS, 179 R; 310/91; 248/637, 639

[56] References Cited

U.S. PATENT DOCUMENTS

257,147	9/1980	Mescheder	D15/5
262,366	12/1981	Davis et al.	D13/2
283,896	5/1986	Evans et al.	D15/5
285,570	9/1986	McInerney	D15/5
287,130	12/1986	Tilton, Jr.	D15/5
2,475,302	7/1949	Adams	D13/1 X
3,476,309	11/1969	Harlin	D15/9 X

OTHER PUBLICATIONS

J. C. Whitney Catalogue #454D p. 138, "Chrome-plated High-torque Starter".
Avco Lycoming Aircraft Engine Group Assembly Parts List, FIG. 9-4, (no date).

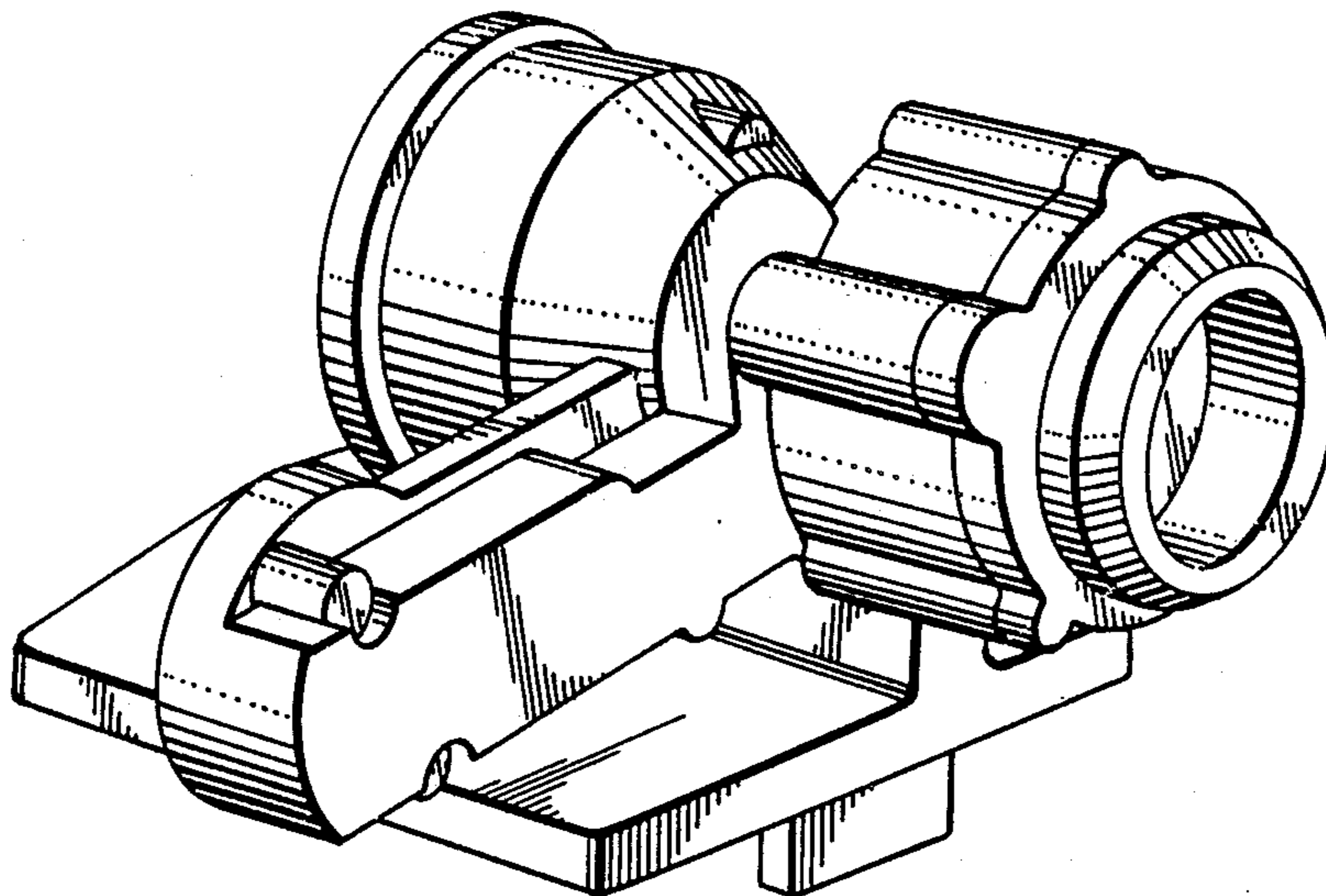
Primary Examiner—Wallace R. Burke
Assistant Examiner—Brian N. Vinson
Attorney, Agent, or Firm—Litman, McMahon & Brown

[57] CLAIM

The ornamental design for a starter mounting assembly for an aircraft engine, as shown and described.

DESCRIPTION

FIG. 1 is a front elevational view of a starter mounting assembly for an aircraft engine showing my new design; FIG. 2 is a top plan view thereof; FIG. 3 is a left side elevational view thereof; FIG. 4 is a right side elevational view thereof; FIG. 5 is a bottom plan view thereof; FIG. 6 is a rear elevational view thereof; FIG. 7 is a top, front and left side perspective view thereof; and FIG. 8 is a top, rear and right side perspective view thereof.



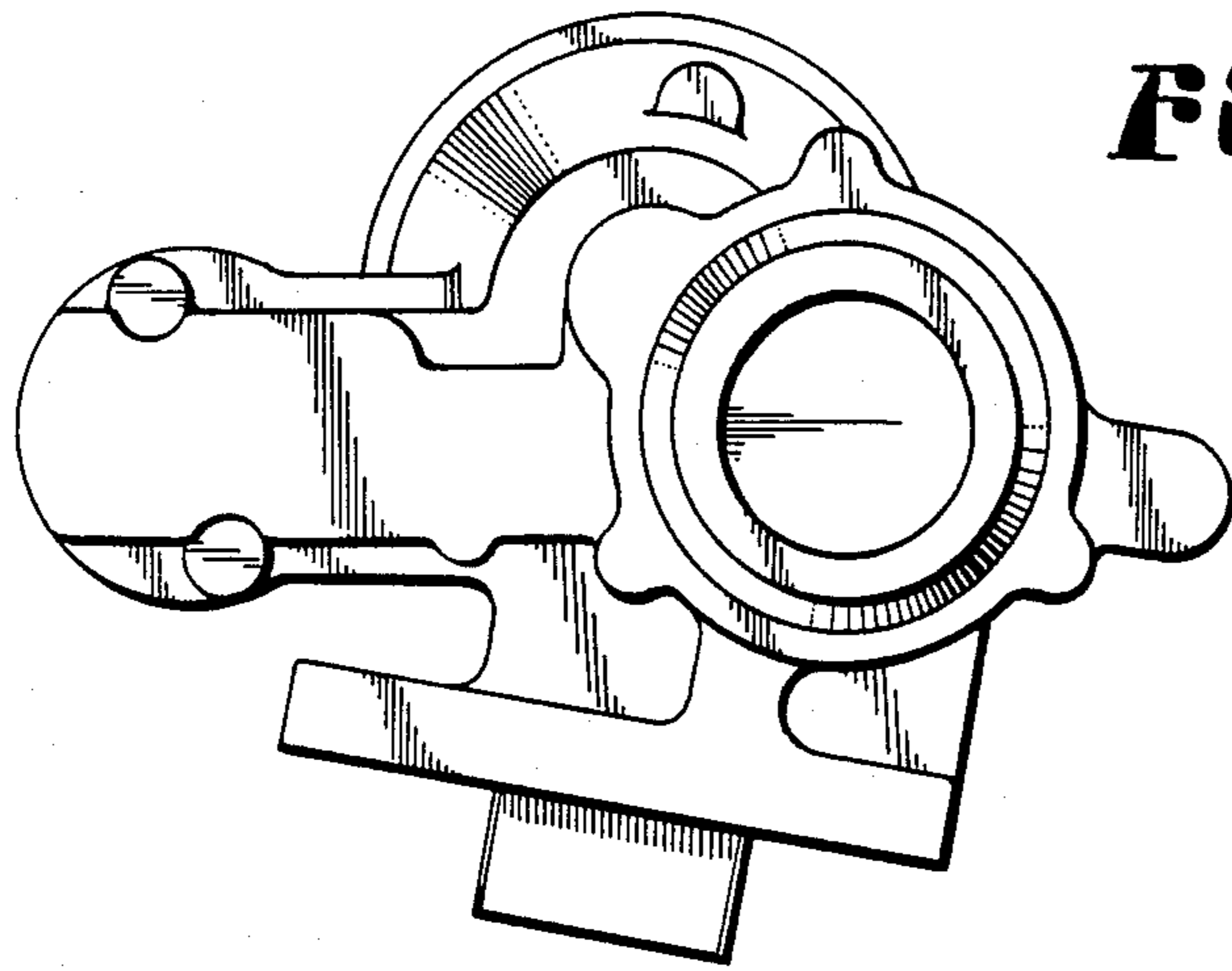


Fig. 1.

Fig. 2.

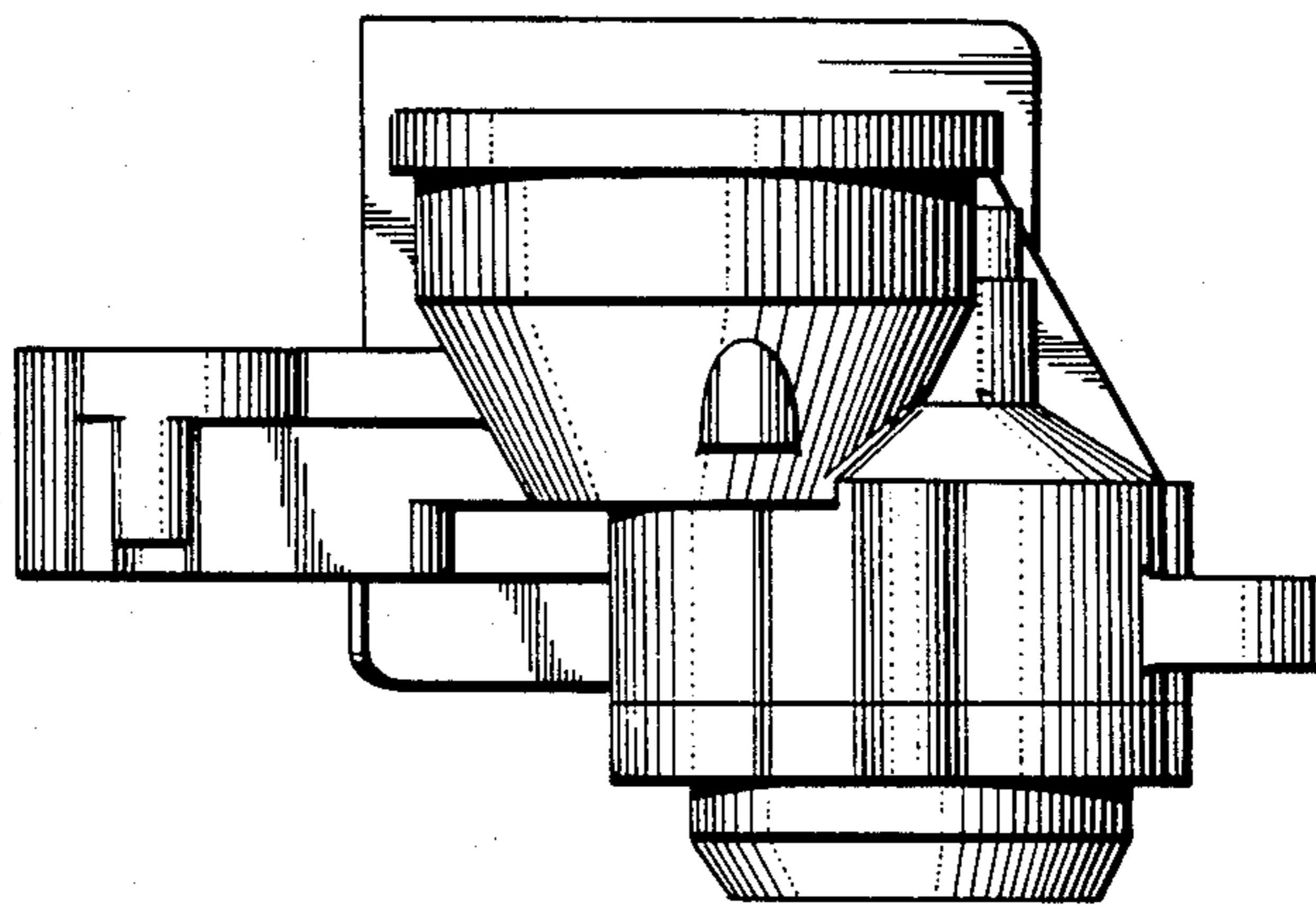


Fig. 3.

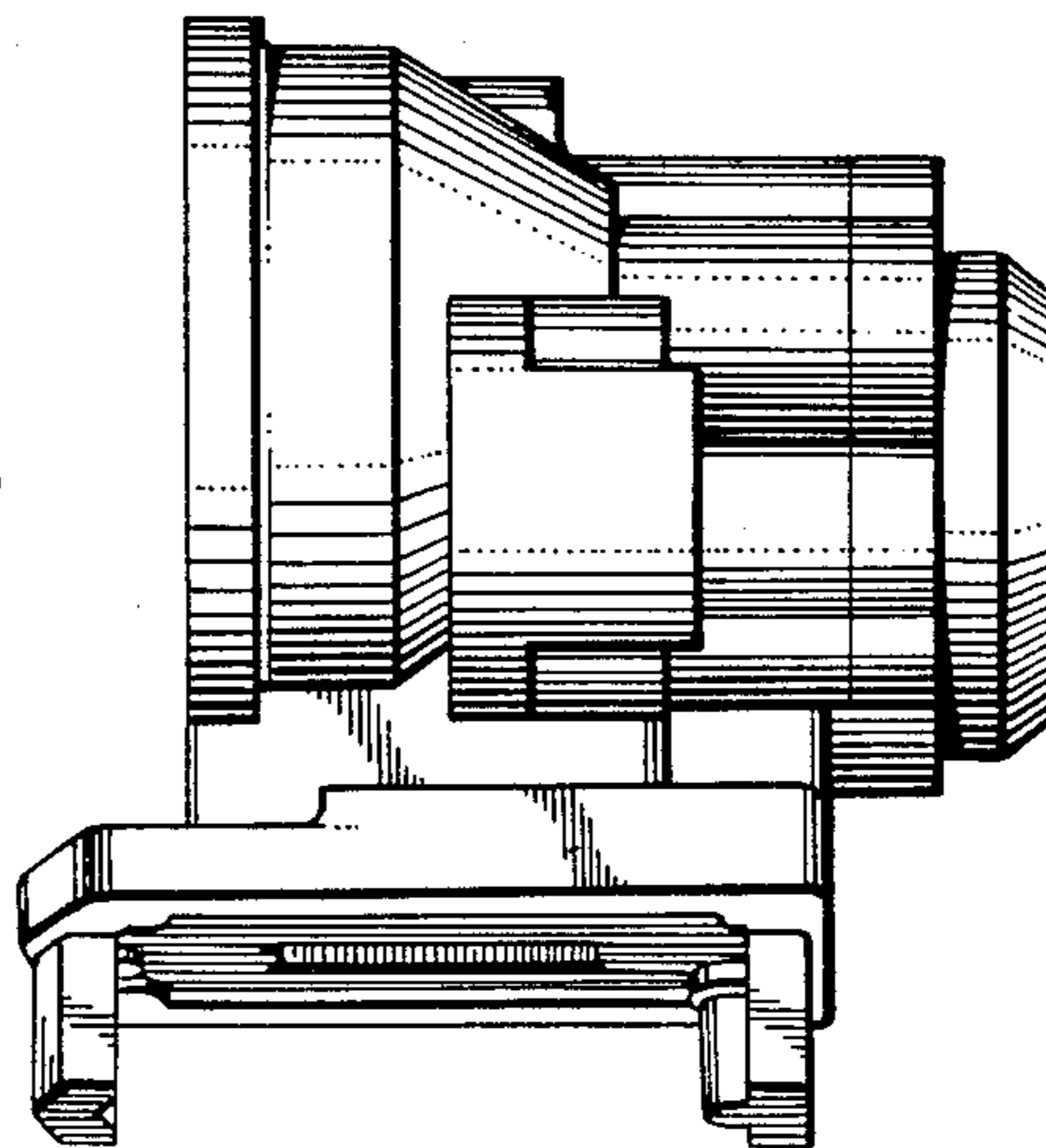


Fig. 4.

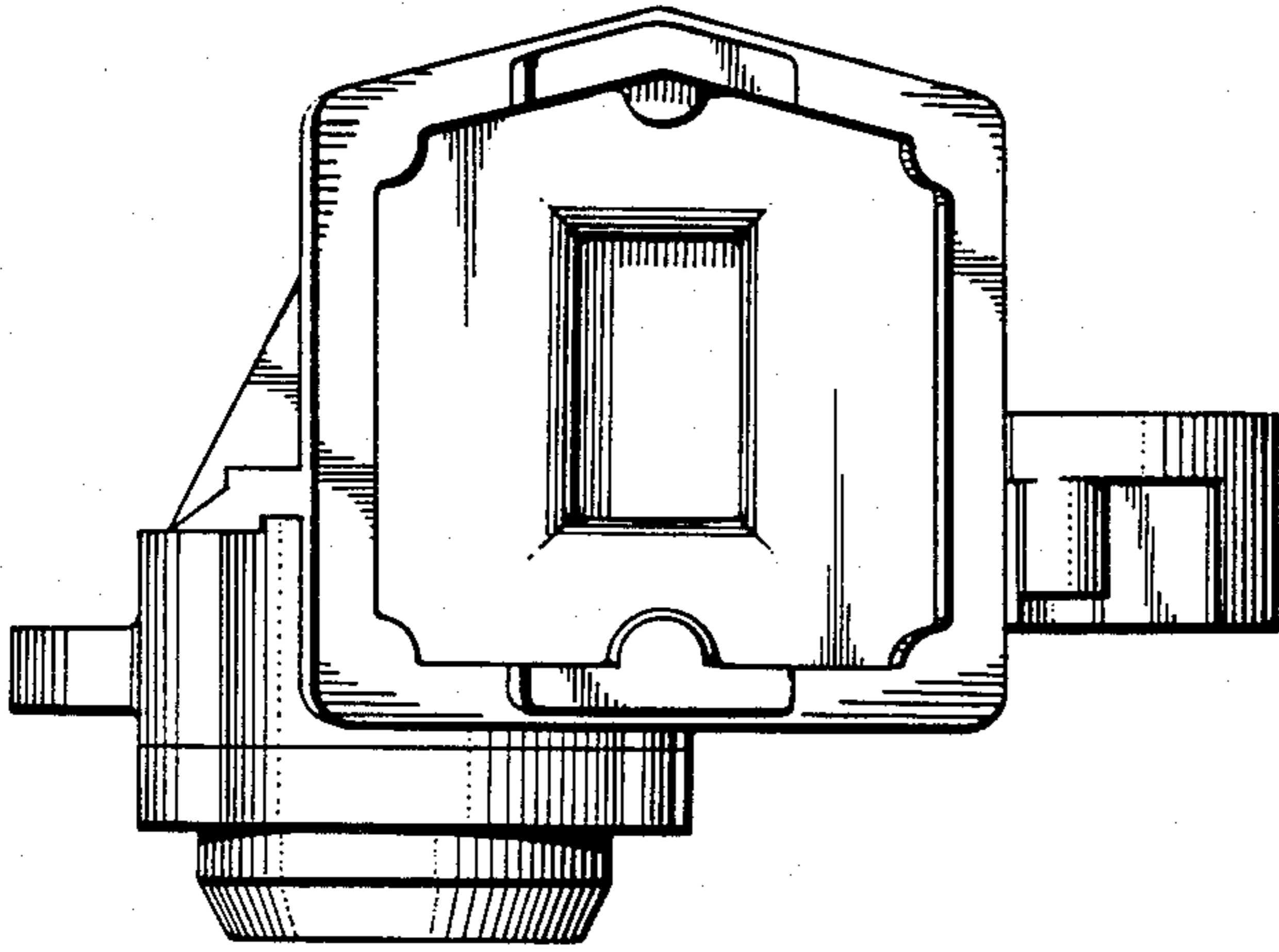
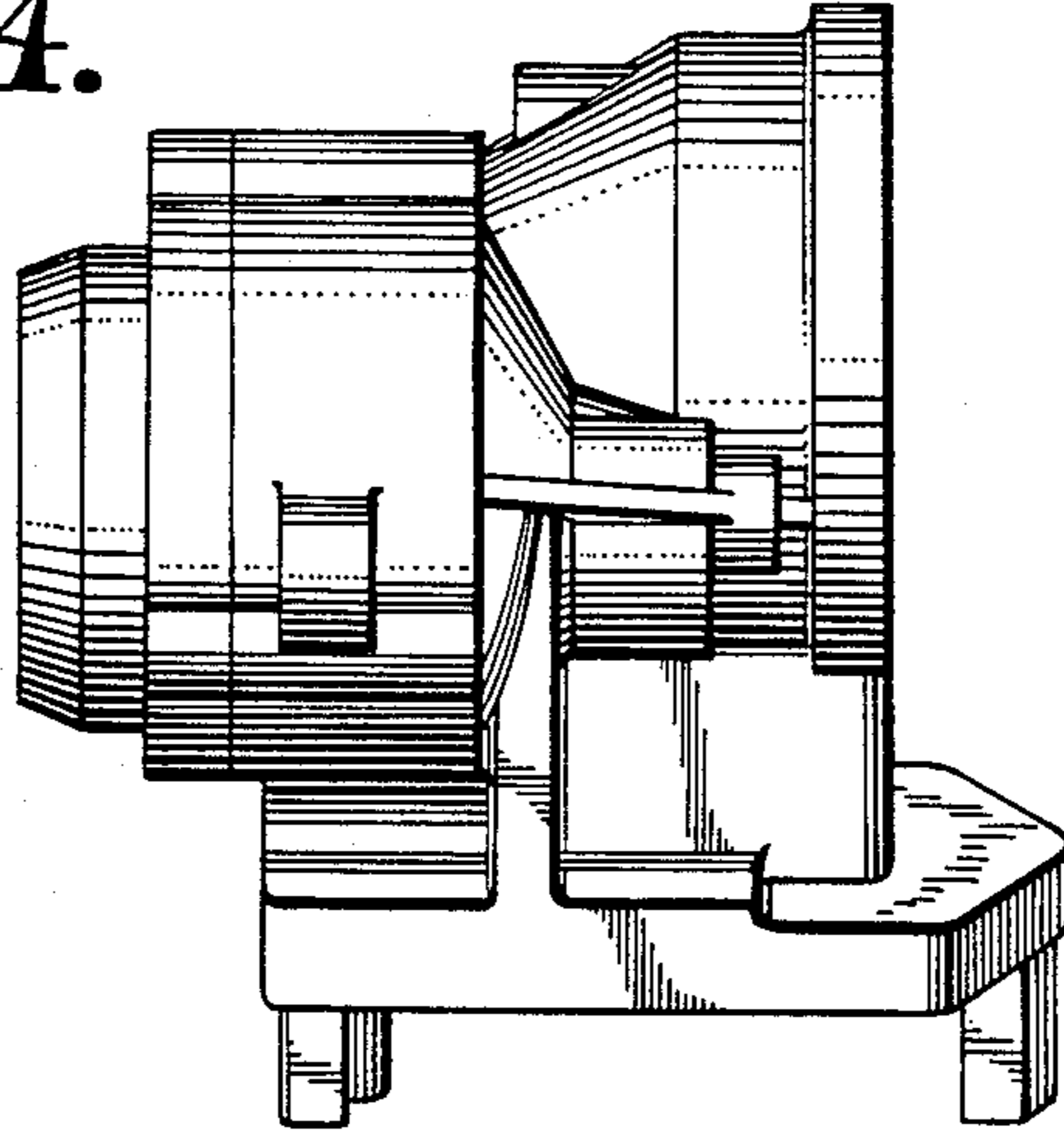
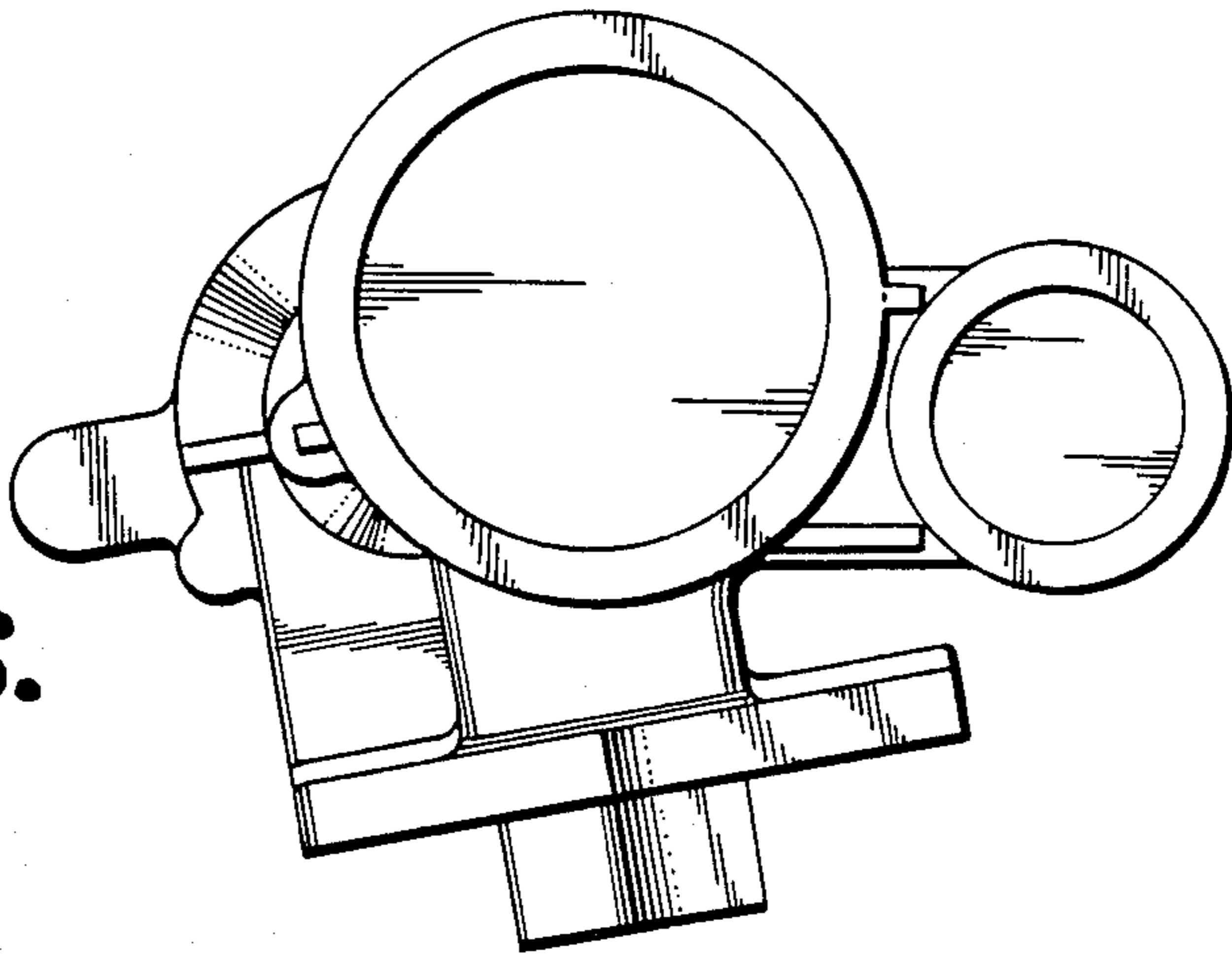


Fig. 5.

Fig. 6.



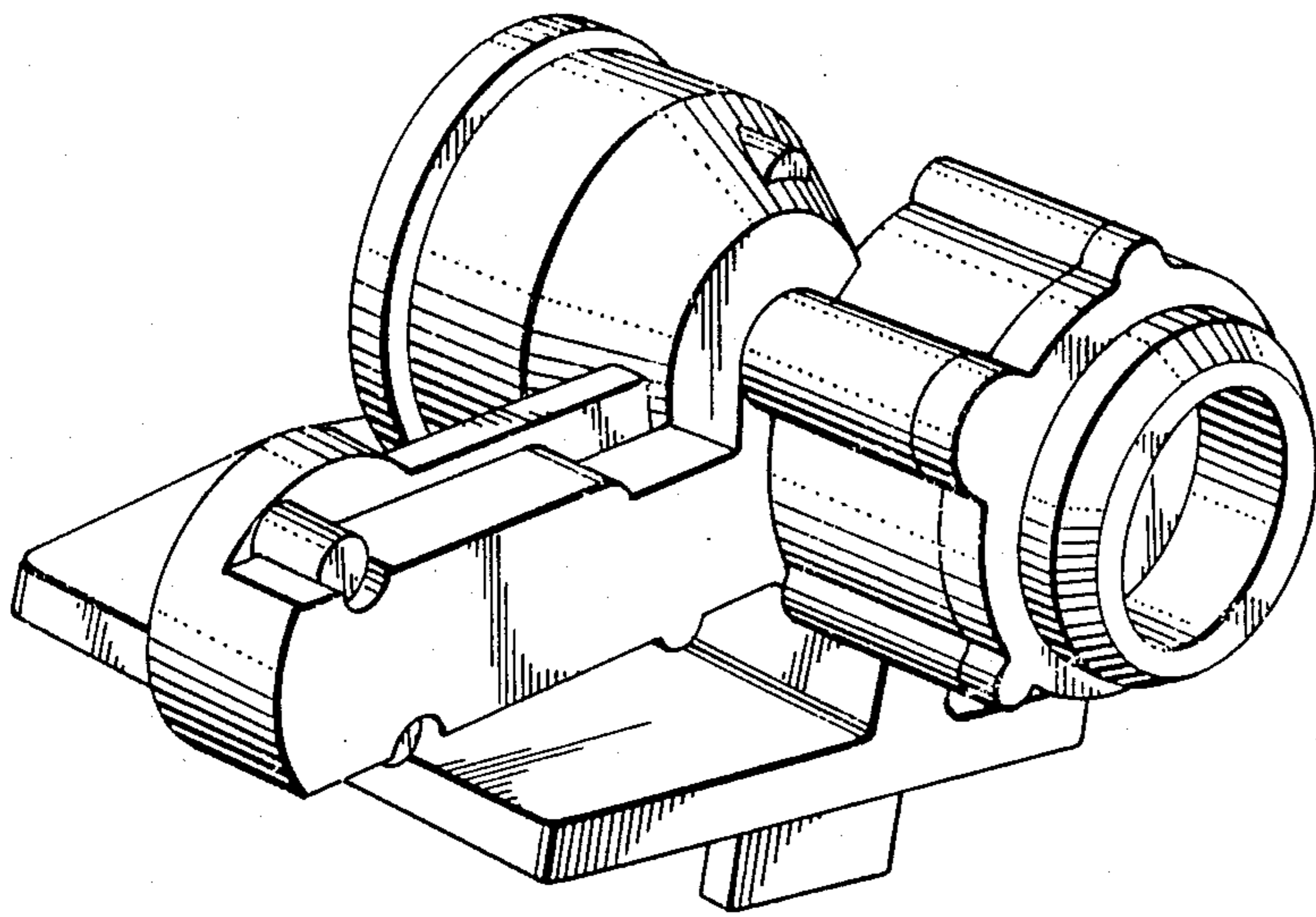


Fig. 7.

Fig. 8.

