

[54] LOUDSPEAKER GRILLE

[75] Inventor: Petrus H. J. Van de Ven, Valkenswaard, Netherlands

[73] Assignee: U.S. Philips Corporation, New York, N.Y.

[\*\*] Term: 14 Years

[21] Appl. No.: 833,459

[22] Filed: Feb. 14, 1986

[30] Foreign Application Priority Data

Aug. 21, 1985 [GB] United Kingdom ..... 1.028.732

[52] U.S. Cl. .... D14/219; D14/216

[58] Field of Search ..... D14/30, 31, 32, 33, D14/34, 99; 181/148, 150, 157, 199

[56] References Cited

U.S. PATENT DOCUMENTS

D. 276,045 10/1984 Kawachi ..... D14/30

D. 280,817 10/1985 Ohtsuji ..... D14/34 X  
D. 281,067 10/1985 Katsuno ..... D14/34 X  
D. 283,125 3/1986 Davidson ..... D14/34 X  
D. 288,807 3/1987 Hlavaty ..... D14/33 X  
4,550,796 11/1985 Tomita ..... 181/150 X

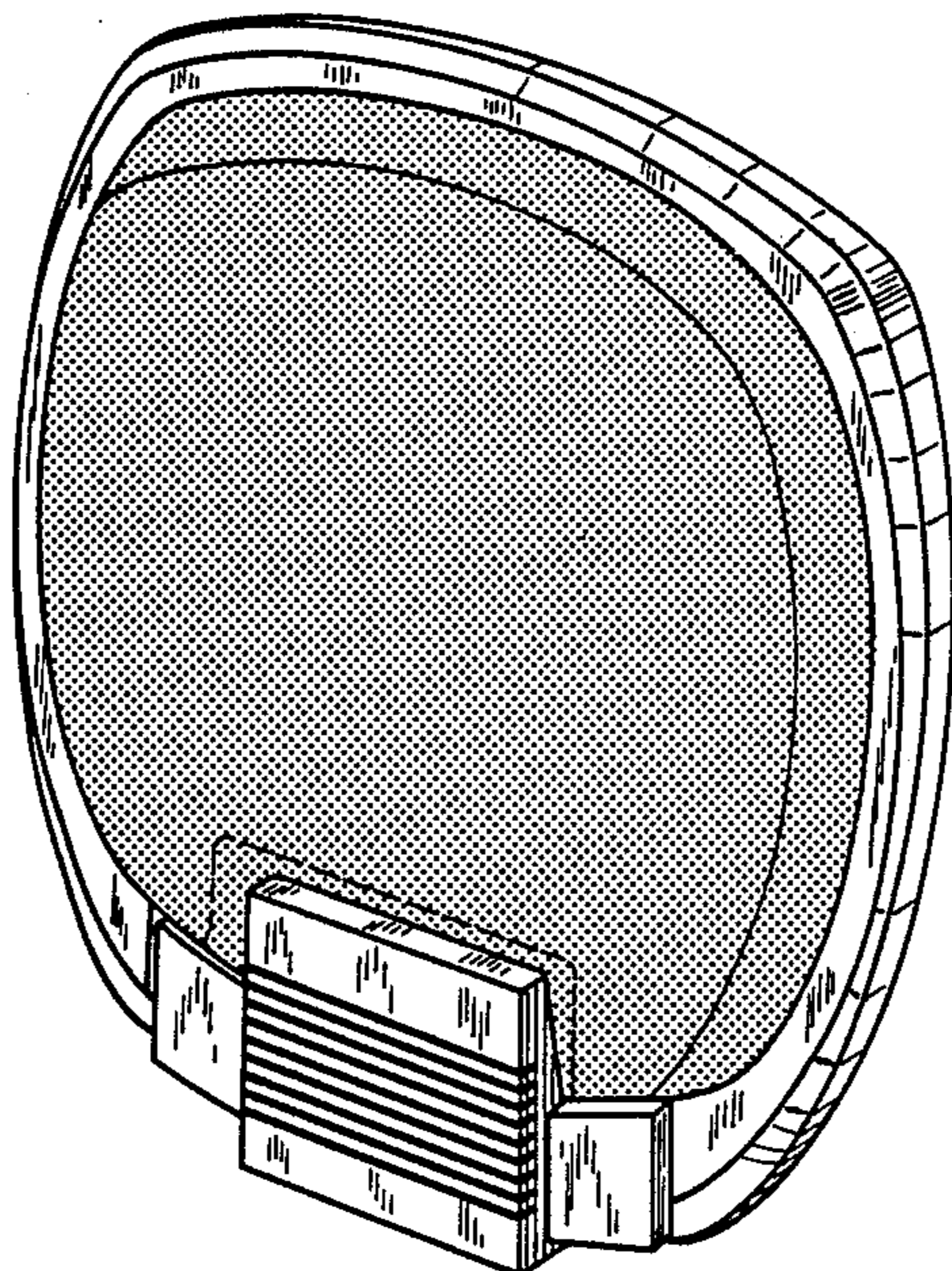
Primary Examiner—Bernard Ansher  
Assistant Examiner—Theodore M. Shooman

[57] CLAIM

The ornamental design for a loudspeaker grille, as shown.

DESCRIPTION

FIG. 1 is as front, and right side perspective view of a loudspeaker grille showing my new design;  
FIG. 2 is a front elevational view thereof;  
FIG. 3 is a rear elevational view thereof;  
FIG. 4 is a top plan view thereof;  
FIG. 5 is a bottom plan view thereof;  
FIG. 6 is a right side elevational view thereof;  
FIG. 7 is a left side elevational view thereof.



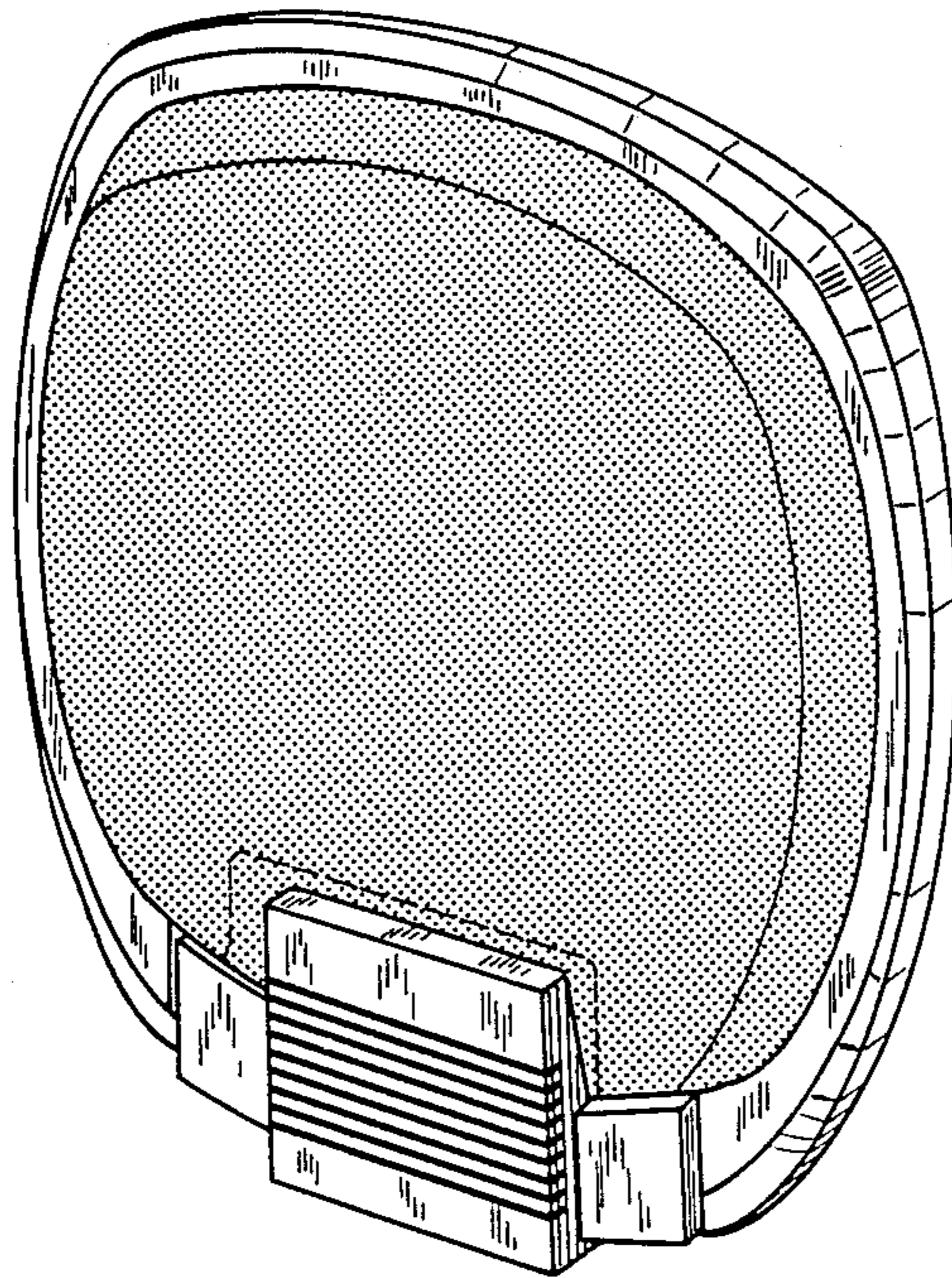


FIG. 1

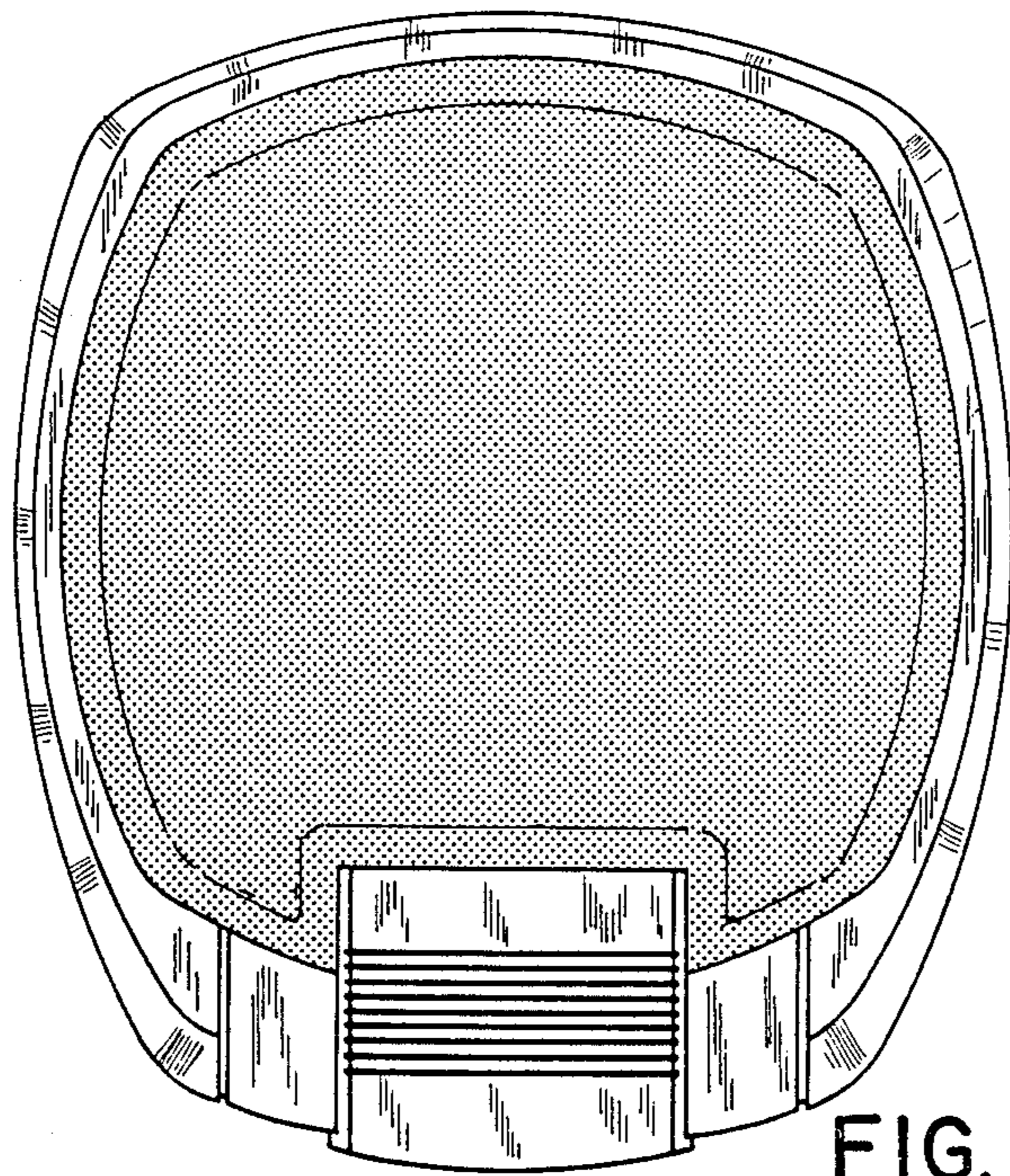


FIG. 2

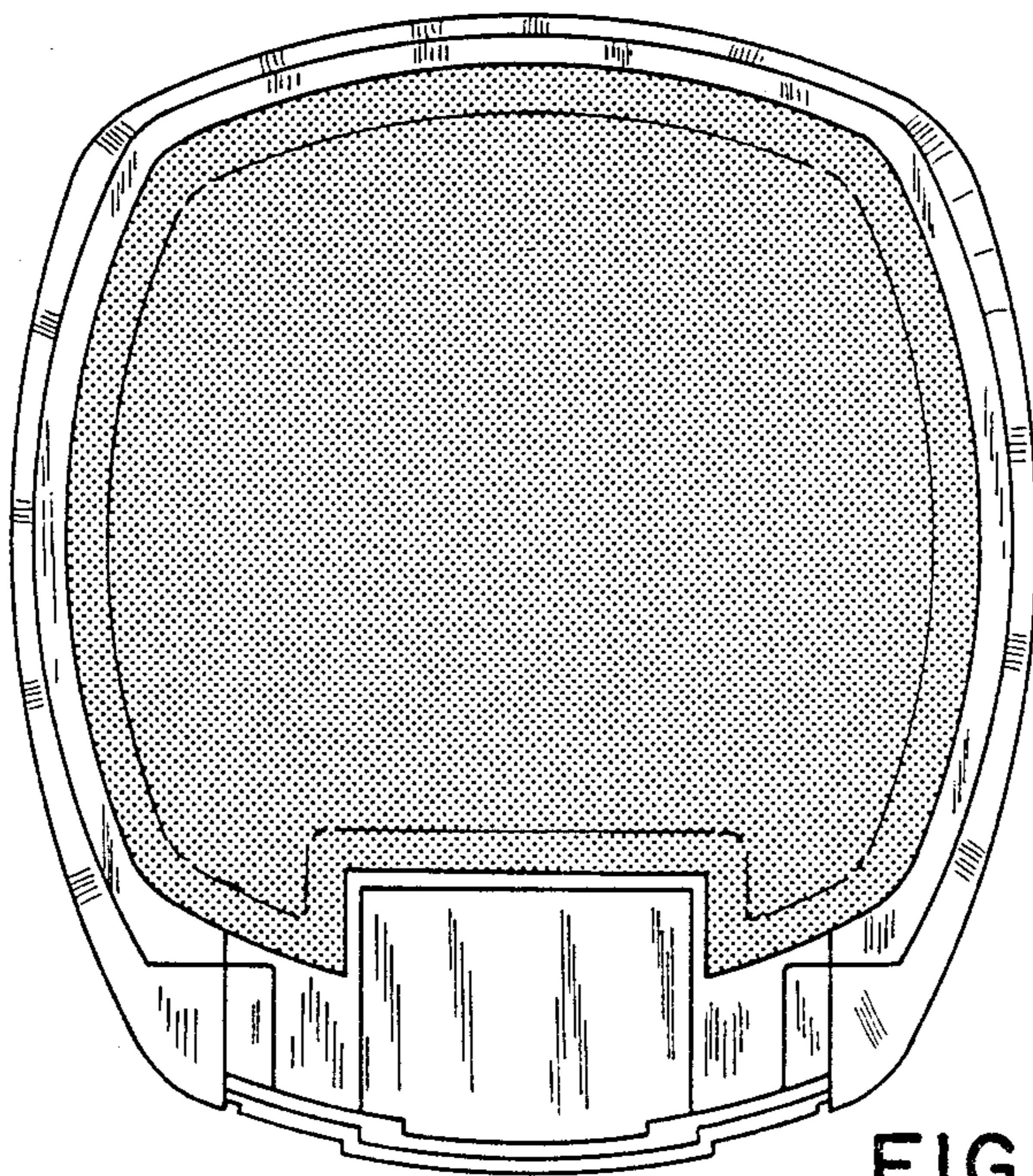


FIG. 3

FIG. 4

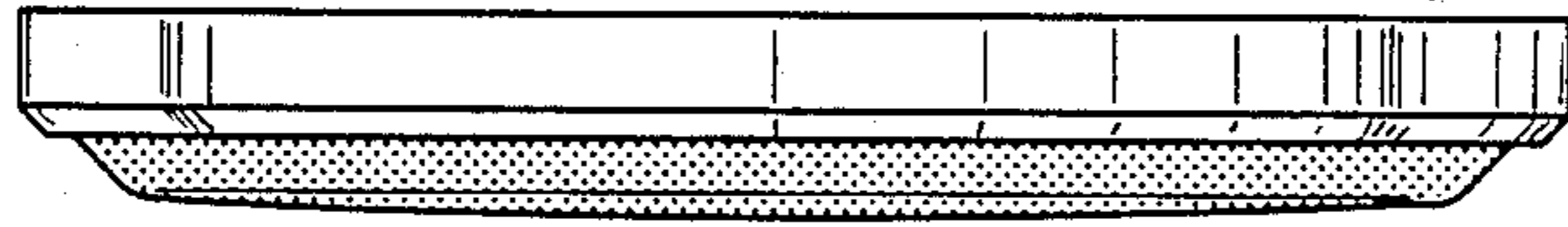


FIG. 5

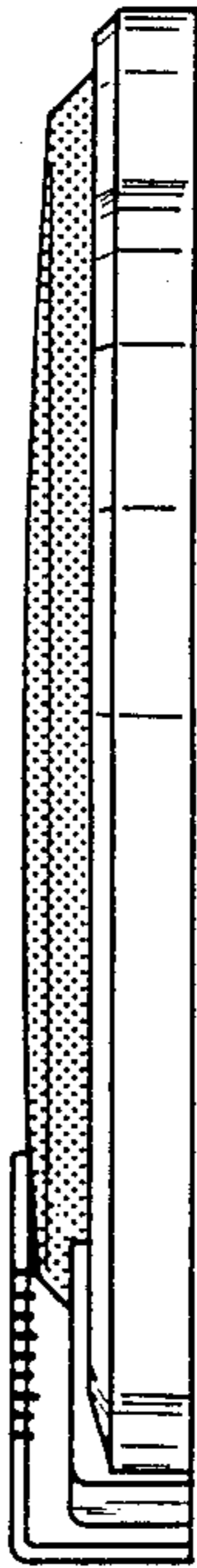
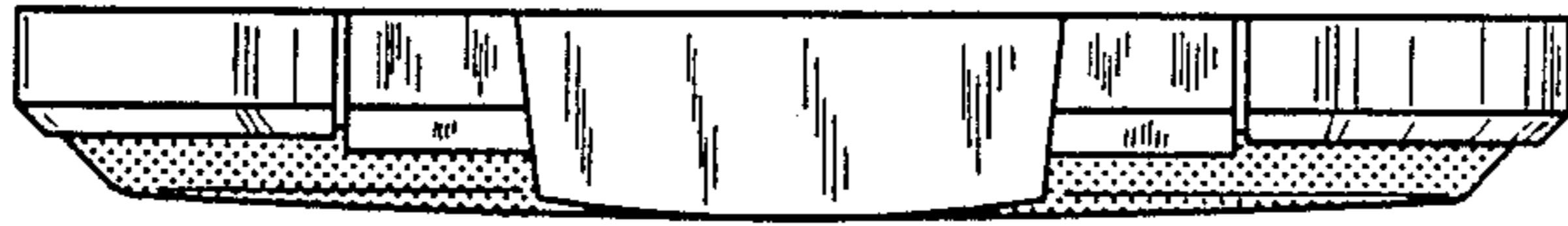


FIG. 6

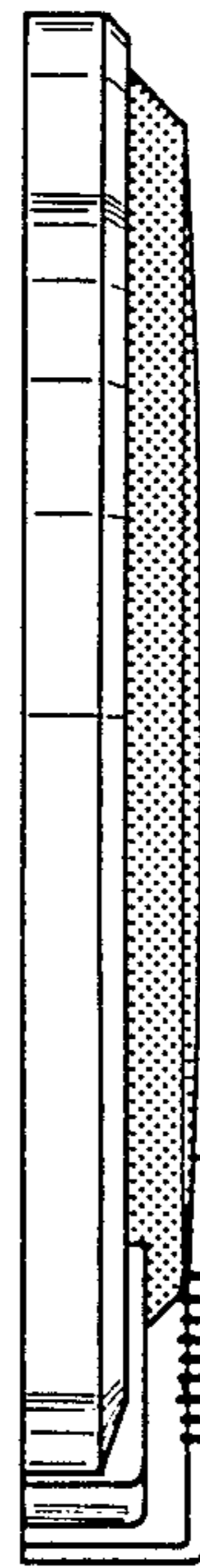


FIG. 7