

[54] PORTABLE COMPUTER

[75] Inventor: Jae J. Shim, Kyungki-do, Rep. of Korea

[73] Assignee: Gold Star Co., Ltd., Seoul, Rep. of Korea

[\*\*] Term: 14 Years

[21] Appl. No.: 838,056

[22] Filed: Feb. 28, 1986

[30] Foreign Application Priority Data

Aug. 31, 1985 [KR] Rep. of Korea ..... 12348/1985

[52] U.S. Cl. .... D14/106

[58] Field of Search ..... D14/100, 101, 105, 106, D14/107, 114; D18/7; D13/12, 40, 41; 340/365 R, 700, 711; 364/900, 708, 709

[56] References Cited

U.S. PATENT DOCUMENTS

- D. 275,955 10/1984 Moraine ..... D14/106
- D. 285,562 9/1986 Graham et al. .... D14/100
- D. 294,029 2/1988 Nishiyama et al. .... D14/106
- D. 294,578 3/1988 Yubisui ..... D14/106
- 4,704,604 11/1987 Fuhs ..... 364/708 X

FOREIGN PATENT DOCUMENTS

0160418 8/1985 Japan ..... 364/708

OTHER PUBLICATIONS

Hewlett-Packard Integral Personal Computer brochure, 1-1985, inside front cover.

Primary Examiner—Susan J. Lucas  
Attorney, Agent, or Firm—Birch, Stewart, Kolasch & Birch

[57] CLAIM

The ornamental design for a portable computer, as shown.

DESCRIPTION

FIG. 1 is a front perspective view of a portable computer showing my new design, the keyboard being omitted for convenience of illustration;

FIG. 2 is a front perspective view thereof, with the keyboard in the closed position and the top handle being raised;

FIG. 3 is a front perspective view thereof, with the keyboard in the open, operational position;

FIG. 4 is a top plan view thereof on an enlarged scale with the keyboard in the open, operational position;

FIG. 5 is a front elevational view thereof on an enlarged scale with the keyboard in the open position;

FIG. 6 is a bottom plan view thereof, on an enlarged scale with the keyboard in the closed position;

FIG. 7 is a rear elevational view thereof on an enlarged scale, with the keyboard in the closed position;

FIG. 8 is a side elevational view thereof on an enlarged scale with the keyboard in the open, operational position, the opposite side being a mirror image; and

FIG. 9 is a side elevational view thereof, on an enlarged scale with the keyboard in the closed position, the opposite side being a mirror image.

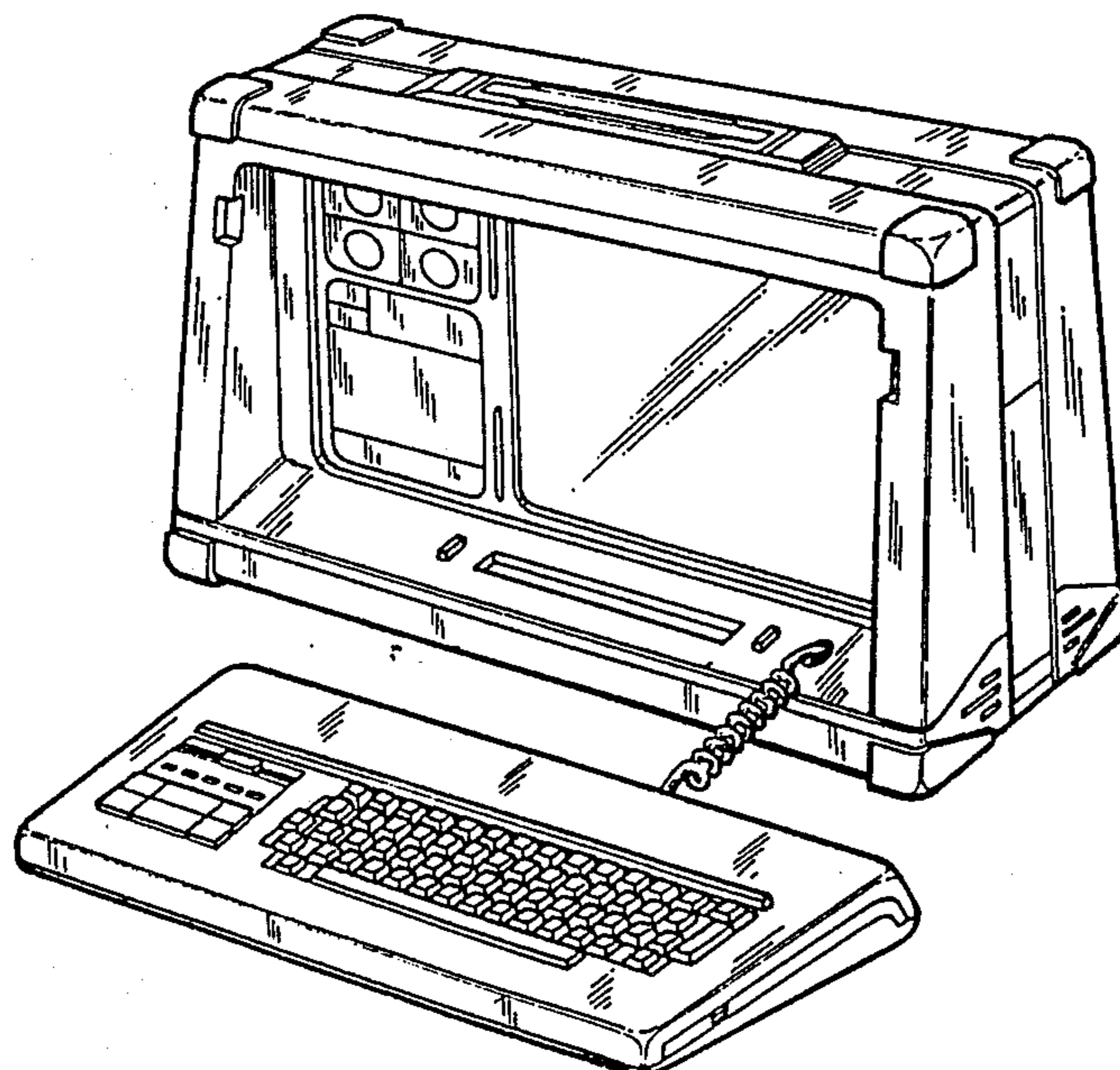


FIG. 1

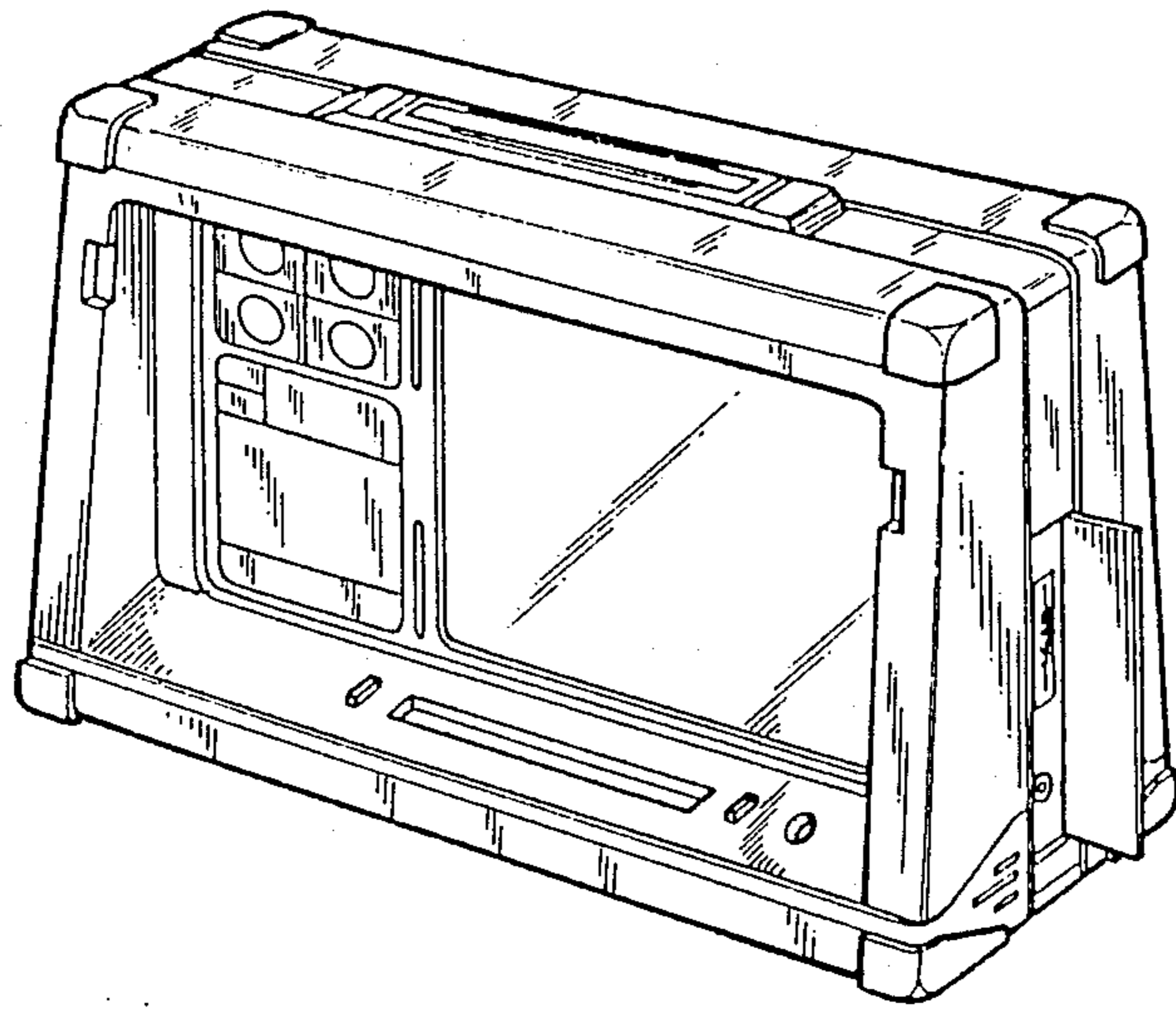


FIG. 2

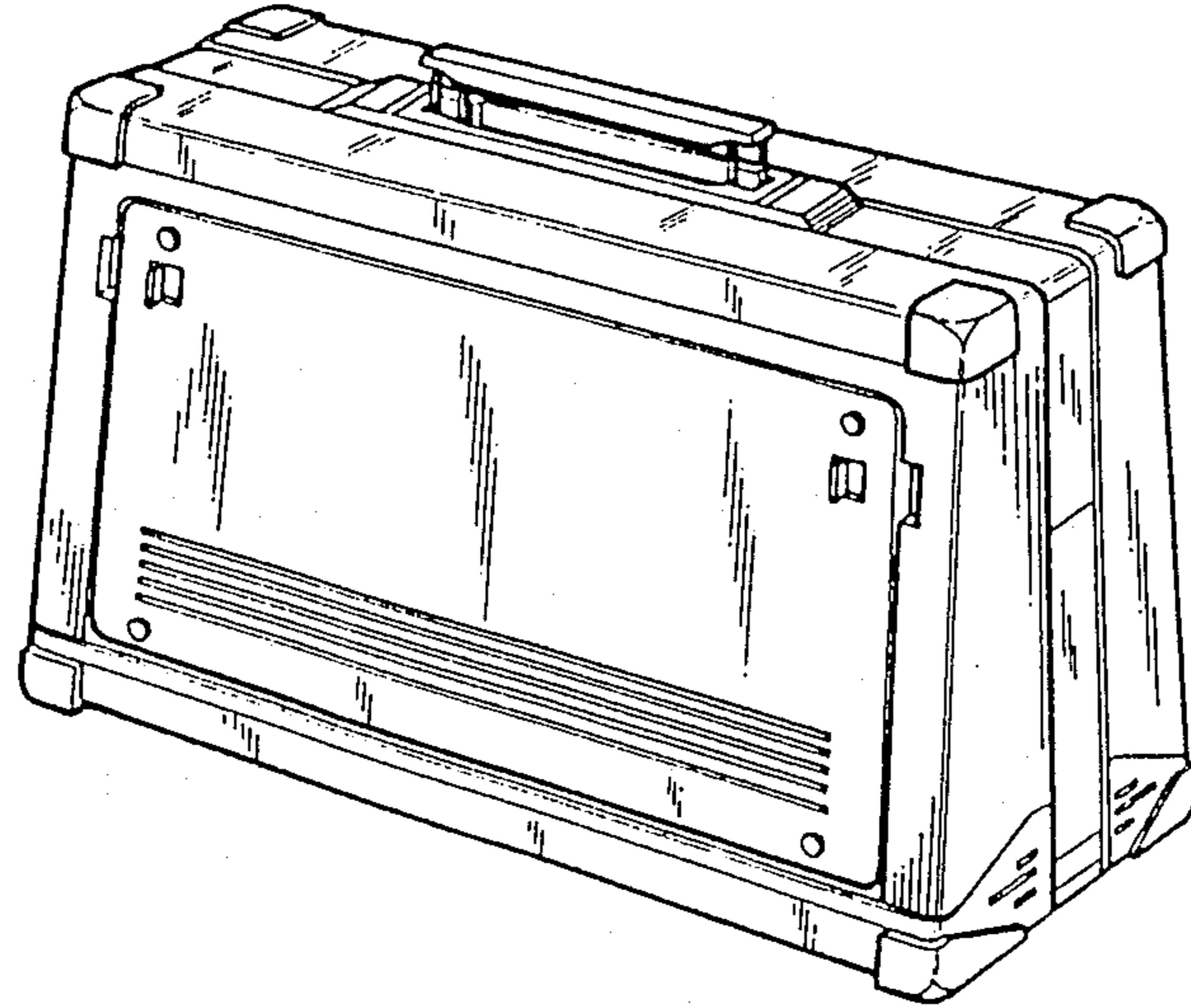


FIG. 3

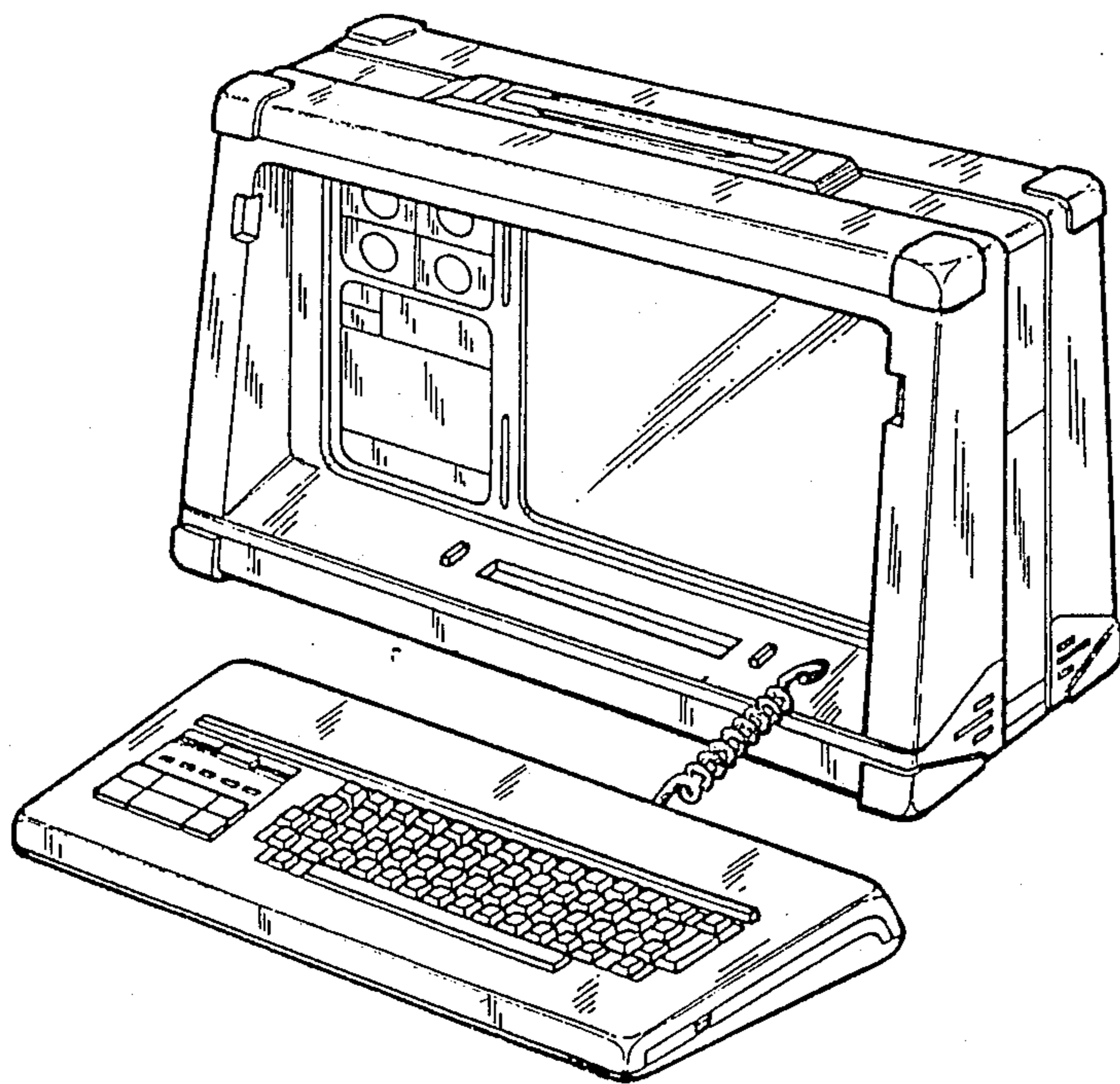


FIG. 4

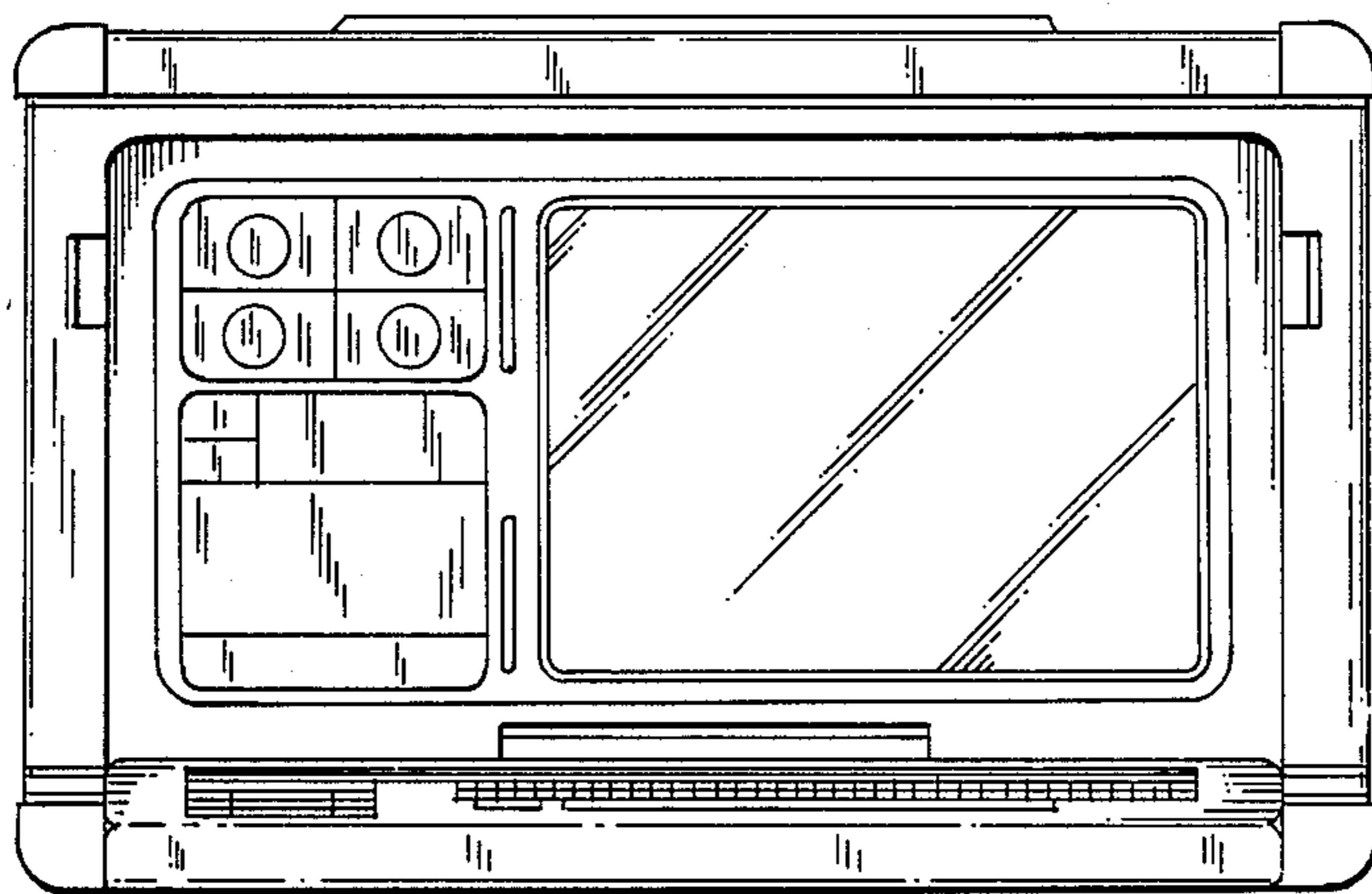
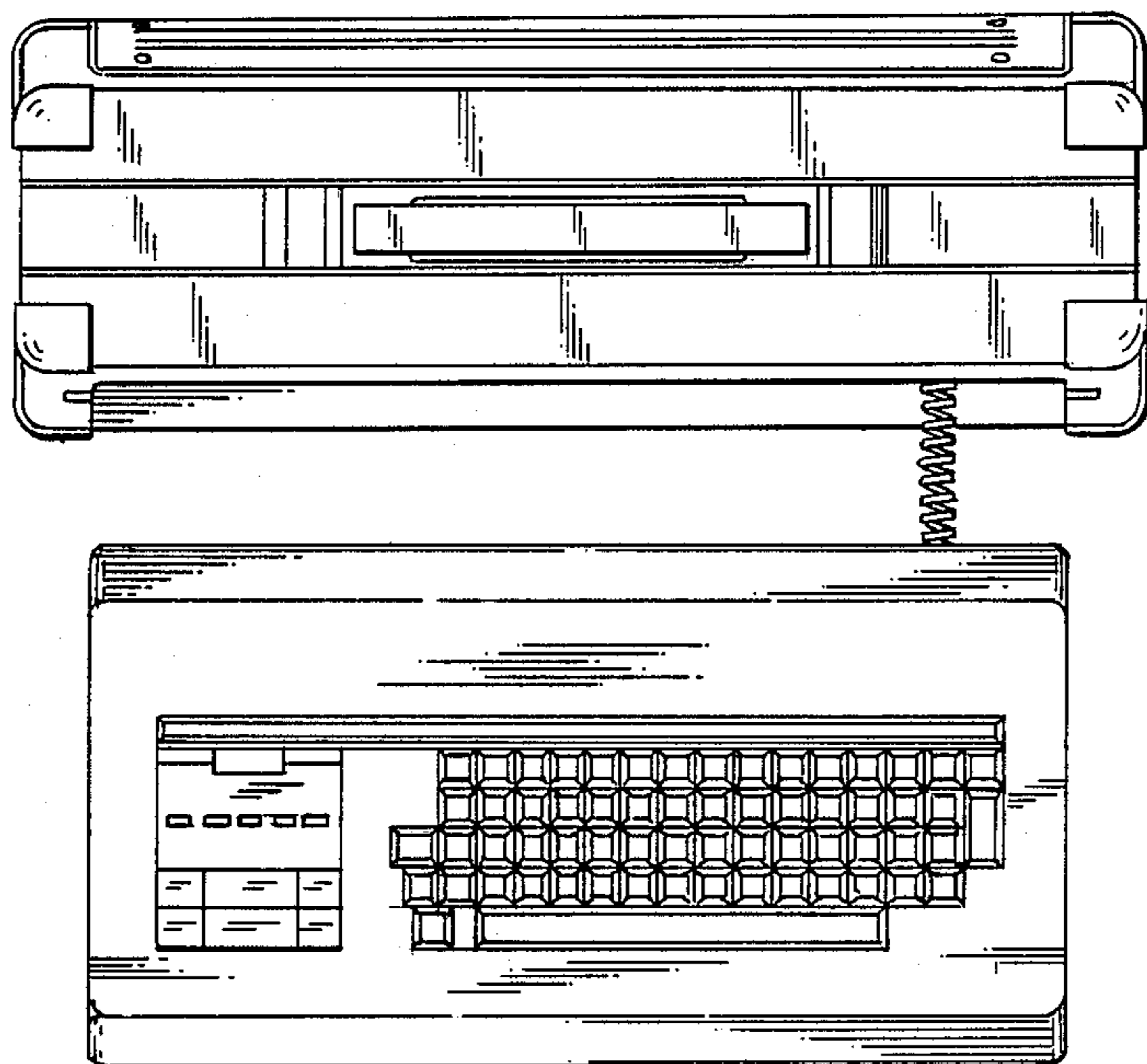


FIG. 5

FIG. 6

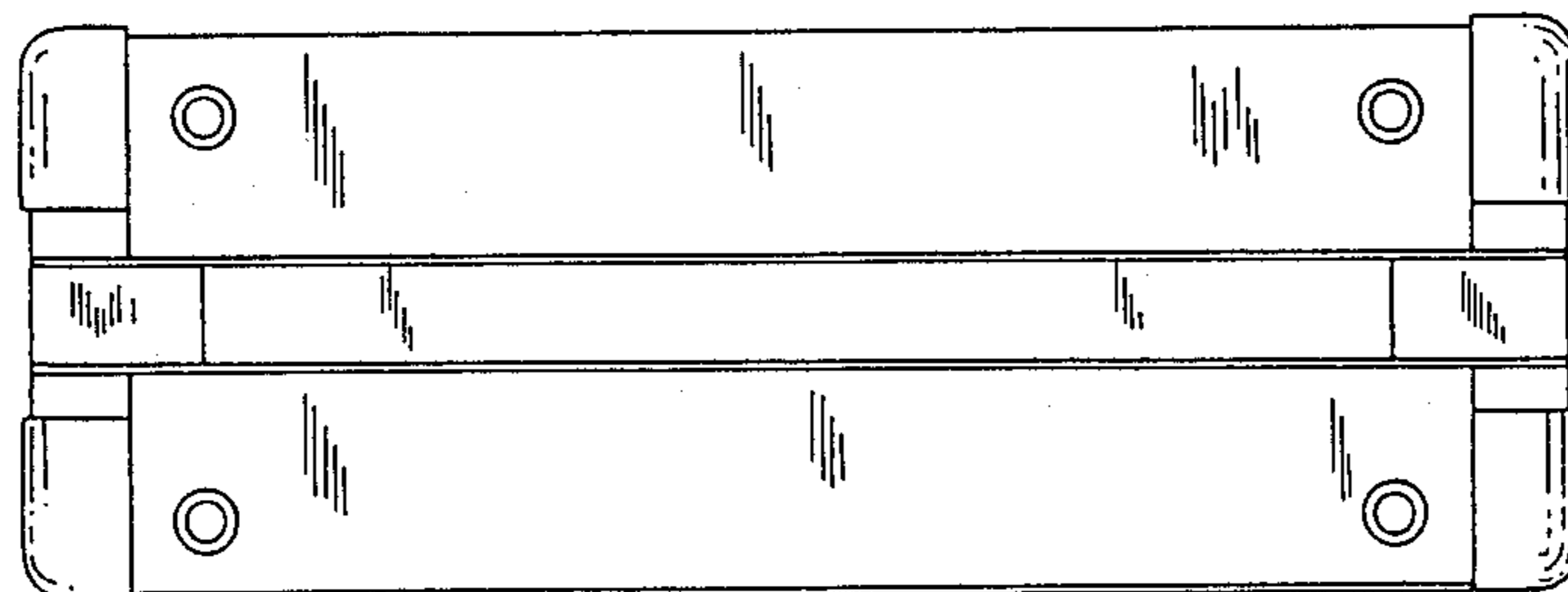


FIG. 7

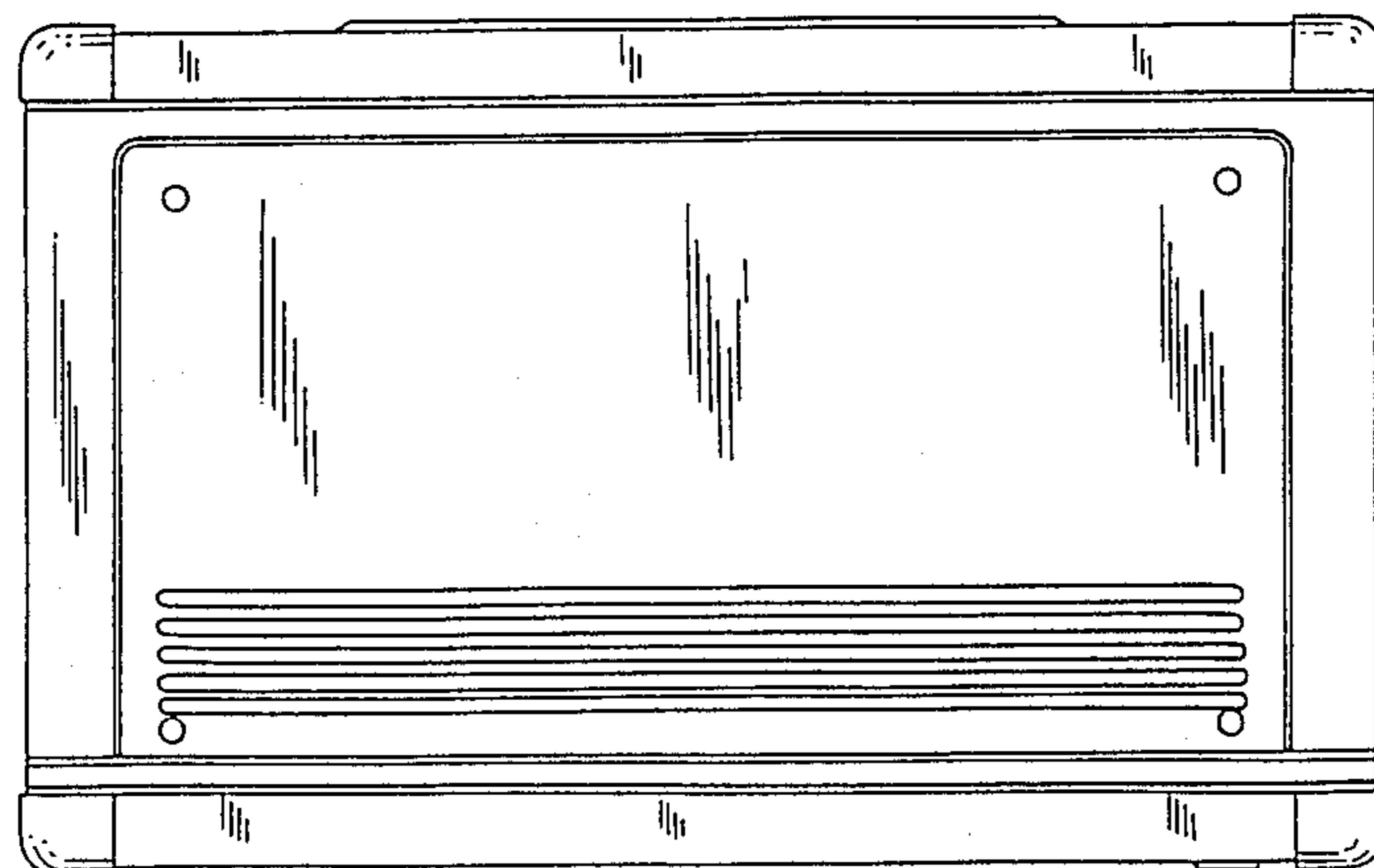


FIG. 8

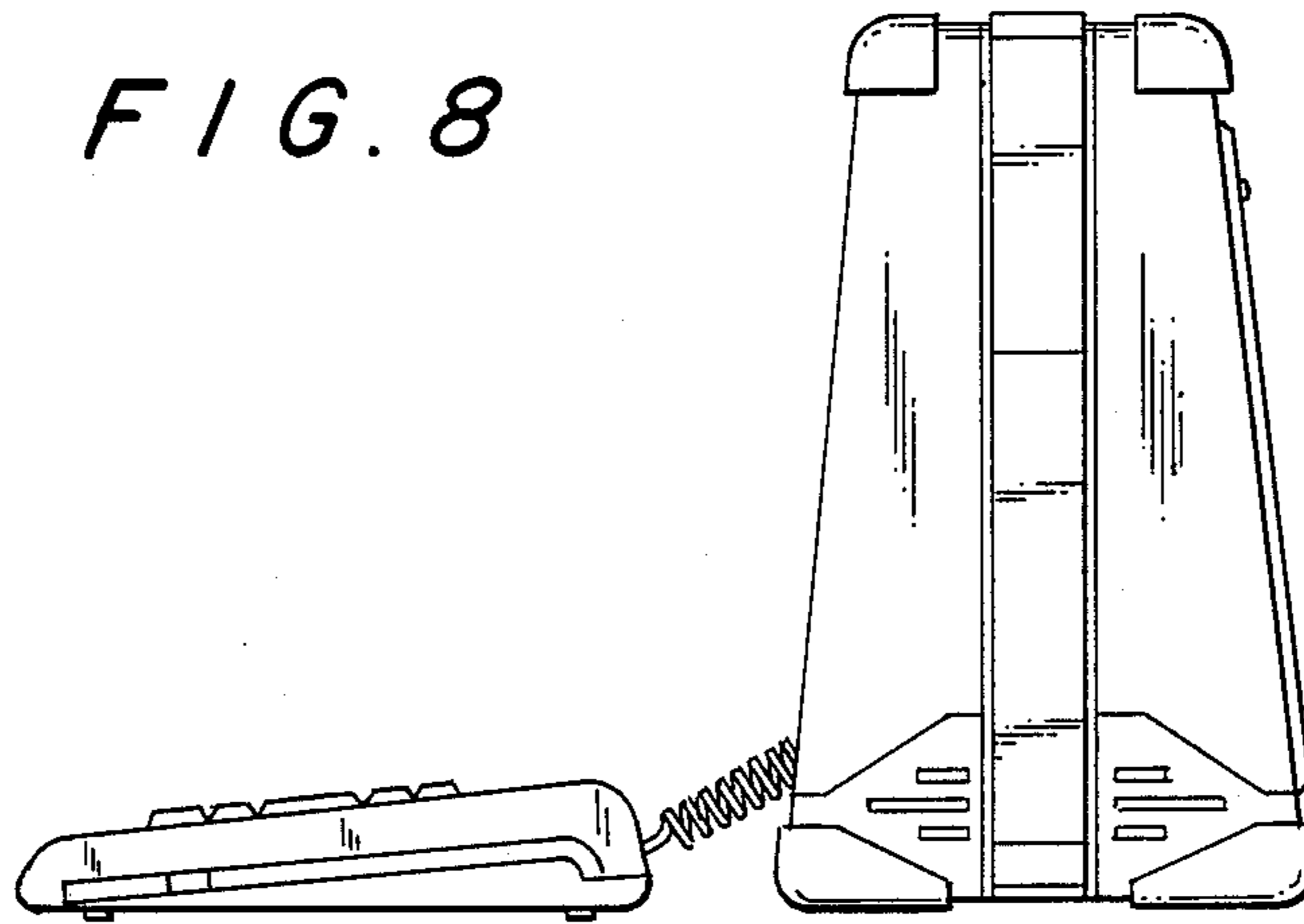


FIG. 9

