

[54] **BATTERY PACK FOR USE WITH PORTABLE POWER TOOLS OR THE LIKE**

[75] Inventor: Martin P. Gierke, Baltimore, Md.
 [73] Assignee: Black & Decker Inc., Newark, Del.
 [**] Term: 14 Years
 [21] Appl. No.: 152,591
 [22] Filed: Jan. 28, 1988

Related U.S. Application Data

[63] Continuation-in-part of Ser. No. 859,883, May 6, 1986.
 [52] U.S. Cl. D13/8
 [58] Field of Search D13/4, 5, 8-10;
 D14/65; D26/39, 40; 429/82, 89, 99, 100, 123,
 151, 153, 159, 163, 175-178, 180, 187; 307/150;
 310/50; 320/2-5

References Cited

U.S. PATENT DOCUMENTS

2,066,811	1/1937	Wheat	320/2
3,196,049	7/1965	Schilke	429/163
3,329,881	7/1967	Tolmie	310/50
4,029,248	6/1977	Lee	429/163
4,081,737	3/1978	Miyahara	320/2
4,300,087	11/1981	Meisner	320/2
4,481,458	11/1984	Lane	320/2

OTHER PUBLICATIONS

Sonotone Batteries catalog p. 4, two top photos on right of page.
 Design, Jun. 1986 between pages 66 & 67, "Walford's" battery charger.
 EMP-5 Battery and Charger Operating Instructions, Form 6949, Exide Corporation, Oct. 1969.
 Video Review Magazine, May 1984, p. 75, VDO-PAK Ad.

Primary Examiner—Bruce W. Dunkins
Assistant Examiner—Clare E. Heflin
Attorney, Agent, or Firm—Charles E. Yocum; Dennis A. Dearing; Edward D. Murphy

[57] **CLAIM**

The ornamental design for a battery pack for use with portable power tools or the like, as shown and described.

DESCRIPTION

FIG. 1 is a top, front and one side perspective view of

the battery pack for use with portable power tools or the like showing a first embodiment of my new design; FIG. 2 is a front elevational view thereof; FIG. 3 is a rear elevational view thereof; FIG. 4 is a side elevational view thereof; FIG. 5 is an opposite side elevational view thereof; FIG. 6 is a top plan view thereof; FIG. 7 is a bottom plan view thereof; FIG. 8 is a top, front and one side perspective view of the battery pack for use with portable power tools or the like showing a second embodiment of my new design; FIG. 9 is a rear elevational view thereof; FIG. 10 is a front elevational view thereof; FIG. 11 is a side elevational view thereof; FIG. 12 is an opposite side elevational view thereof; FIG. 13 is a top plan view thereof; FIG. 14 is a bottom plan view thereof; FIG. 15 is a top, front and one side perspective view of the battery pack for use with portable power tools or the like showing a third embodiment of my new design; FIG. 16 is a top, rear and one side perspective view thereof, the opposite side elevational and bottom plan views being identical to FIGS. 4 and 7, respectively, with the exception of the straps; FIG. 17 is a top, front and one side perspective view of the battery pack for use with portable power tools or the like showing a fourth embodiment of my new design; FIG. 18 is a top, rear and one side perspective view thereof, the opposite side elevational and bottom plan views being identical to FIGS. 11 and 14, respectively, with the exception of the straps; FIG. 19 is a top, front and one side perspective view of the battery pack for use with portable power tools or the like showing a fifth embodiment of my new design; FIG. 20 is a front elevational view thereof; FIG. 21 is a rear elevational view thereof; FIG. 22 is a top plan view thereof, the side views and bottom view being identical to FIGS. 6, 7 and 9, respectively; FIG. 23 is a top, rear and one side perspective view of the battery pack for use with portable power tools or the like showing a sixth embodiment of my new design; FIG. 24 is a rear elevational view thereof; FIG. 25 is a front elevational view thereof; FIG. 26 is a top plan view thereof, the side views and bottom view being identical to FIGS. 11, 12 and 14, respectively.

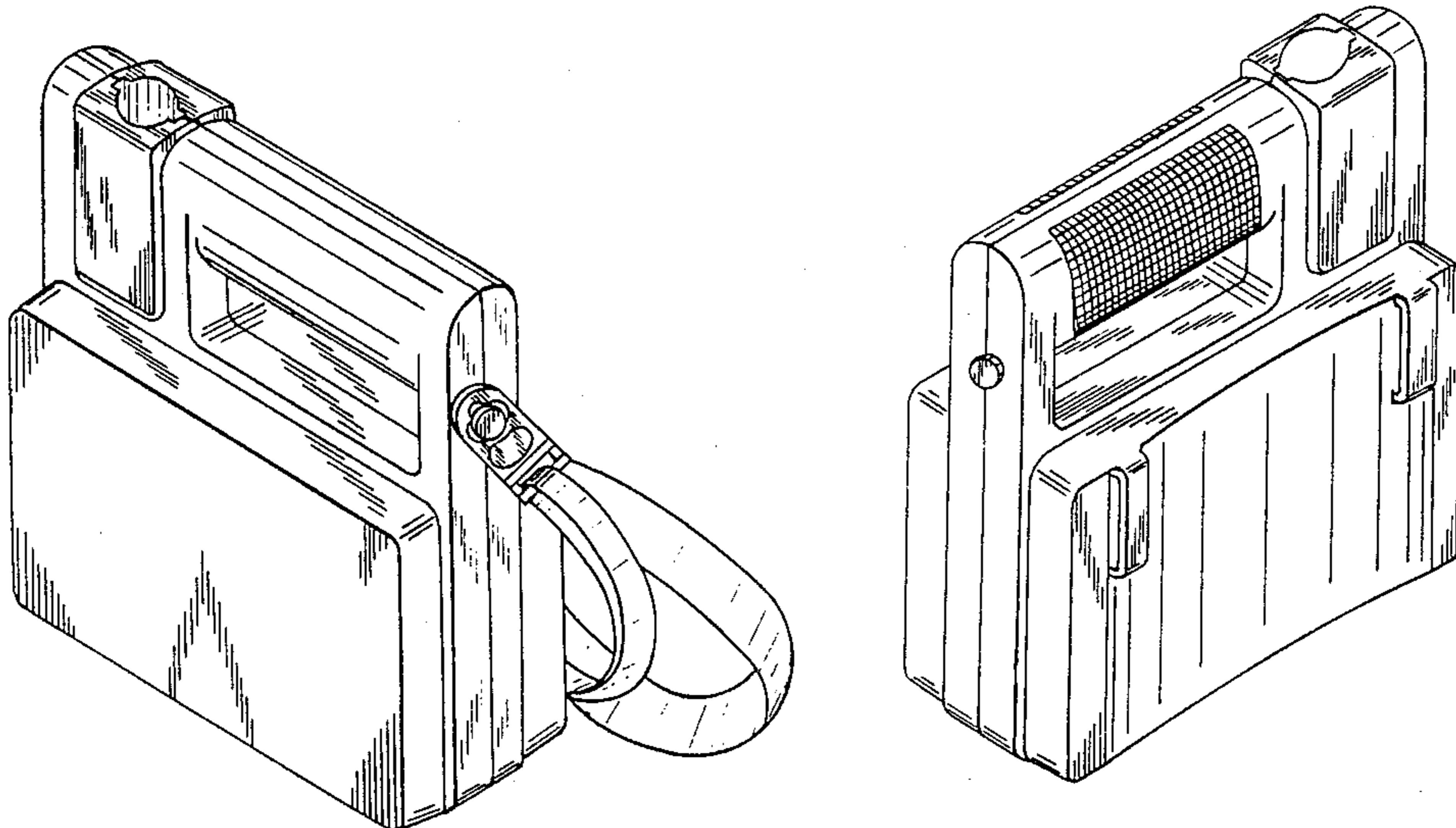


FIG. 1

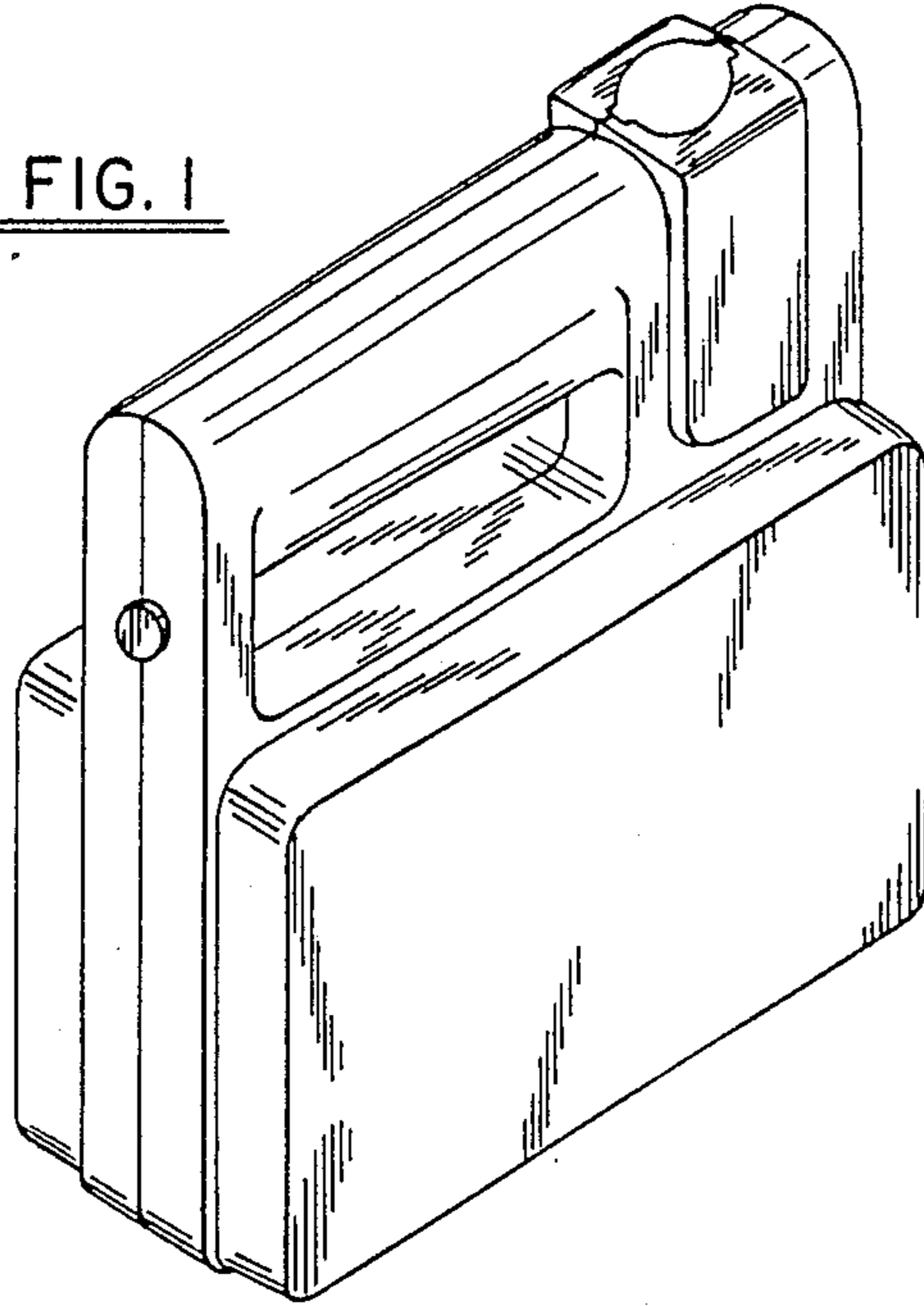


FIG. 2

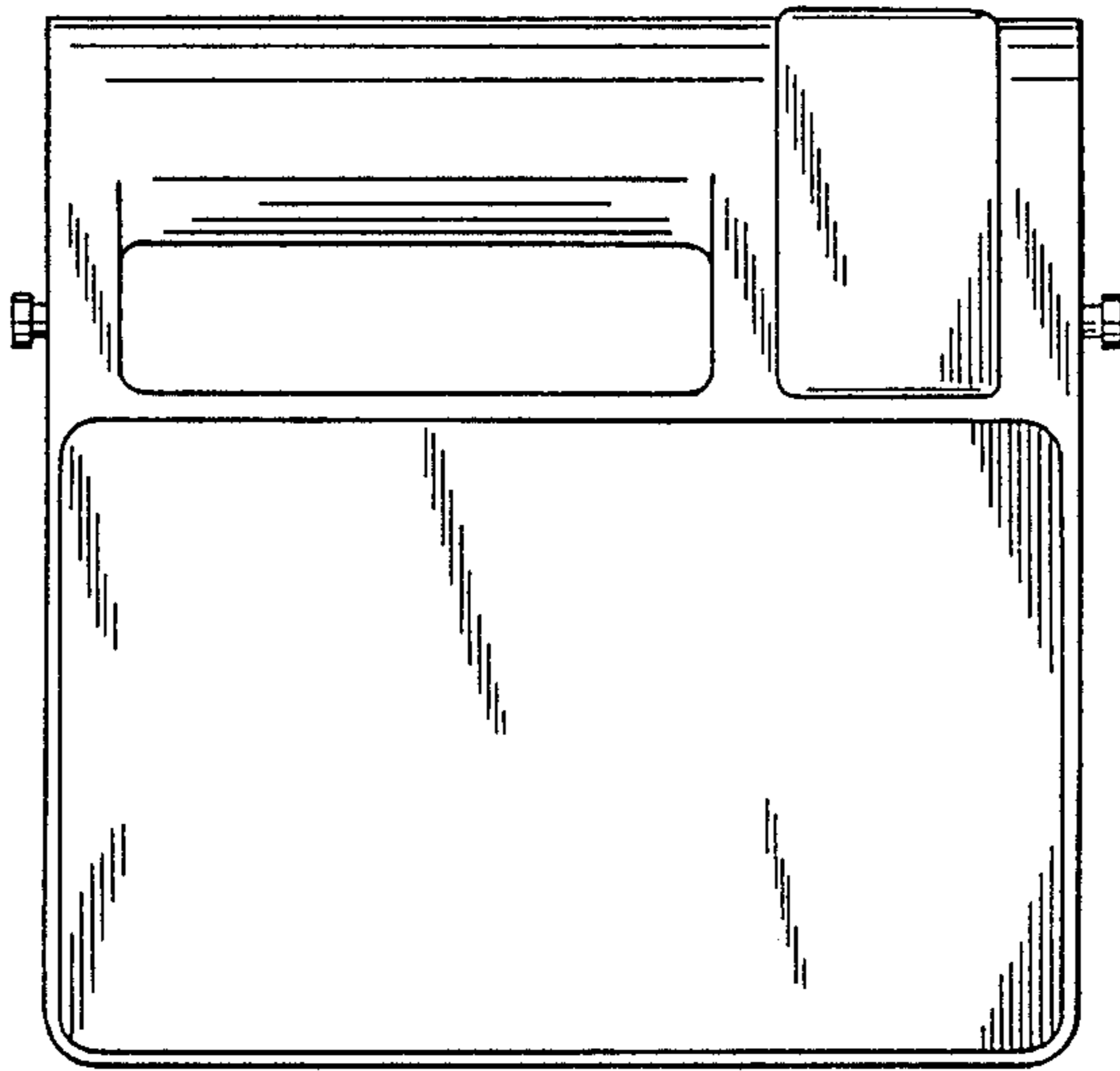


FIG. 3

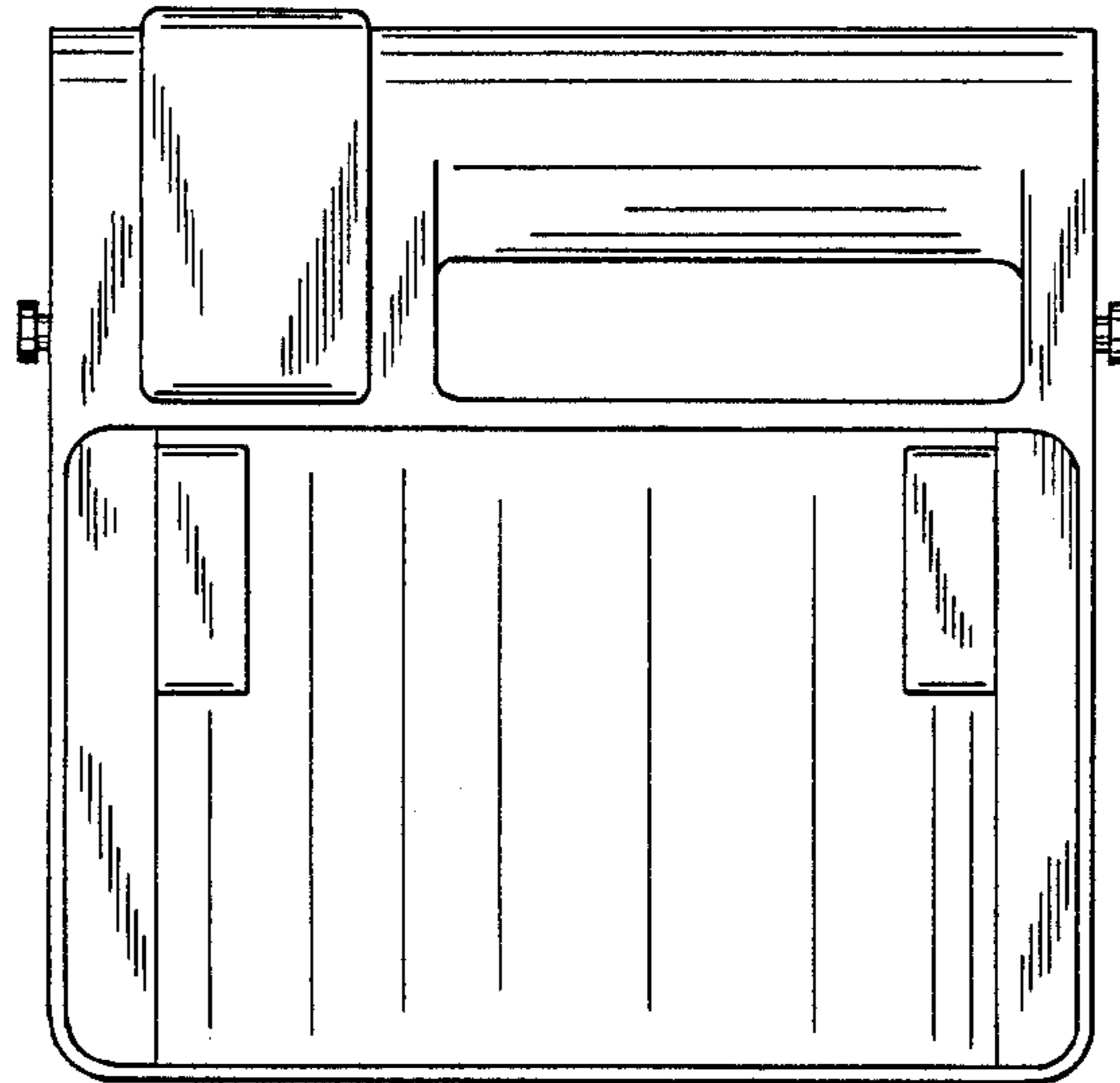


FIG. 4

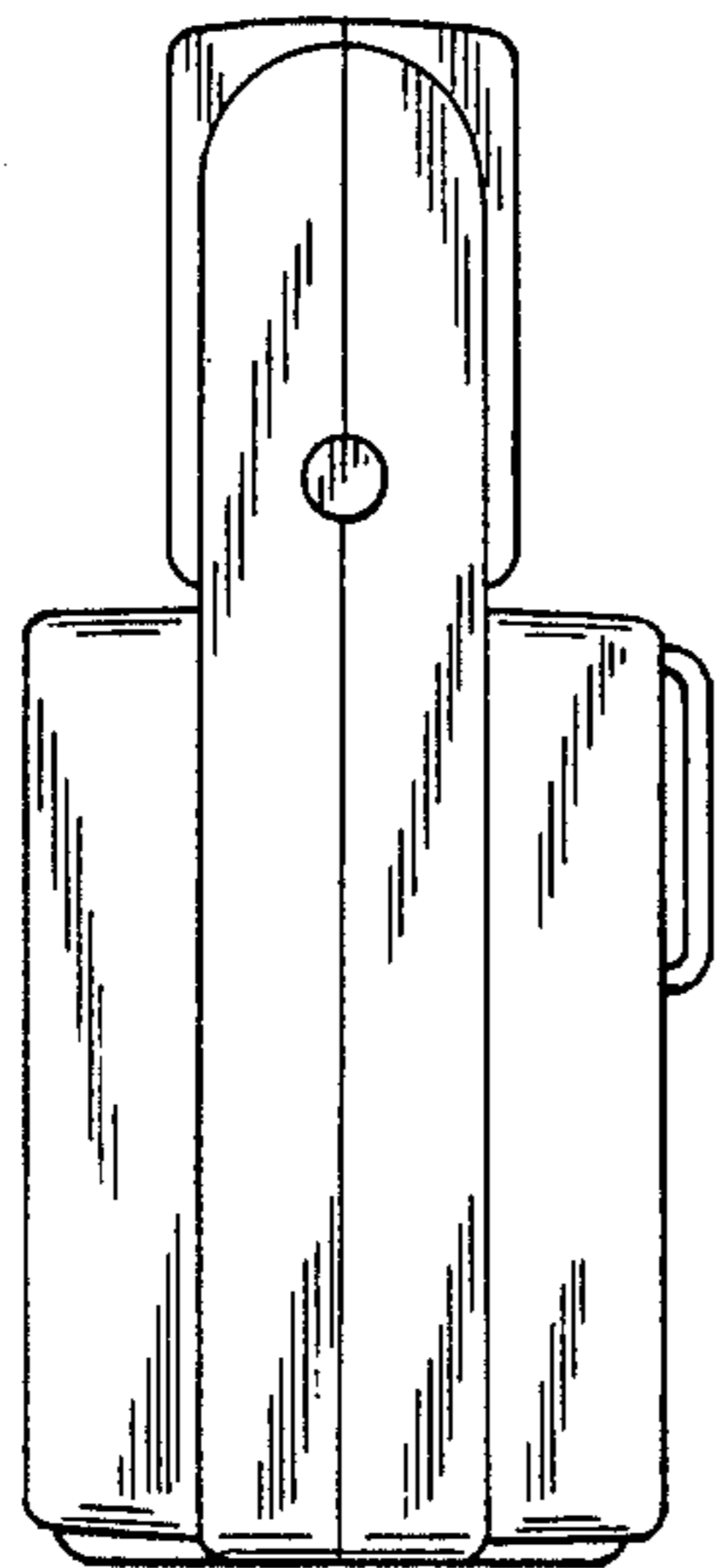


FIG. 5

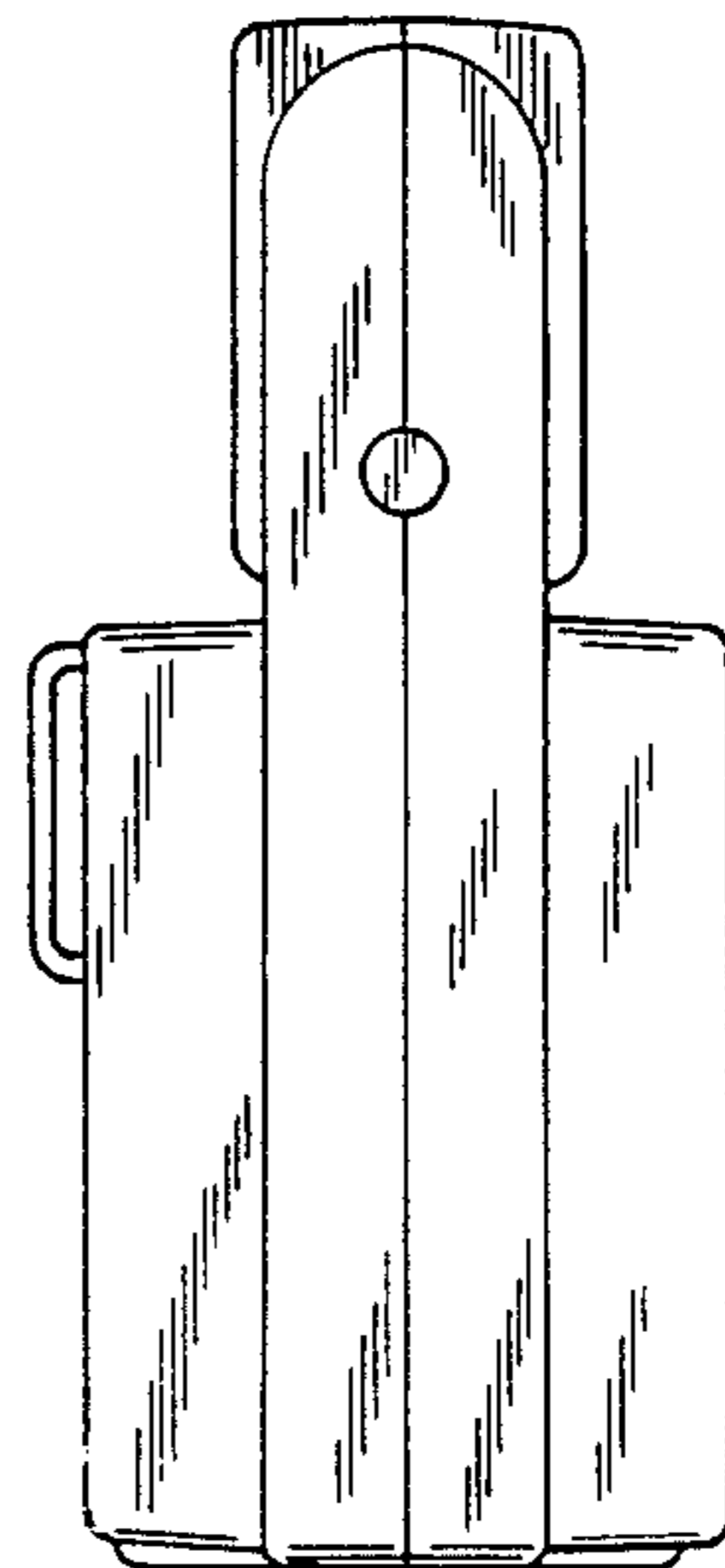


FIG. 6

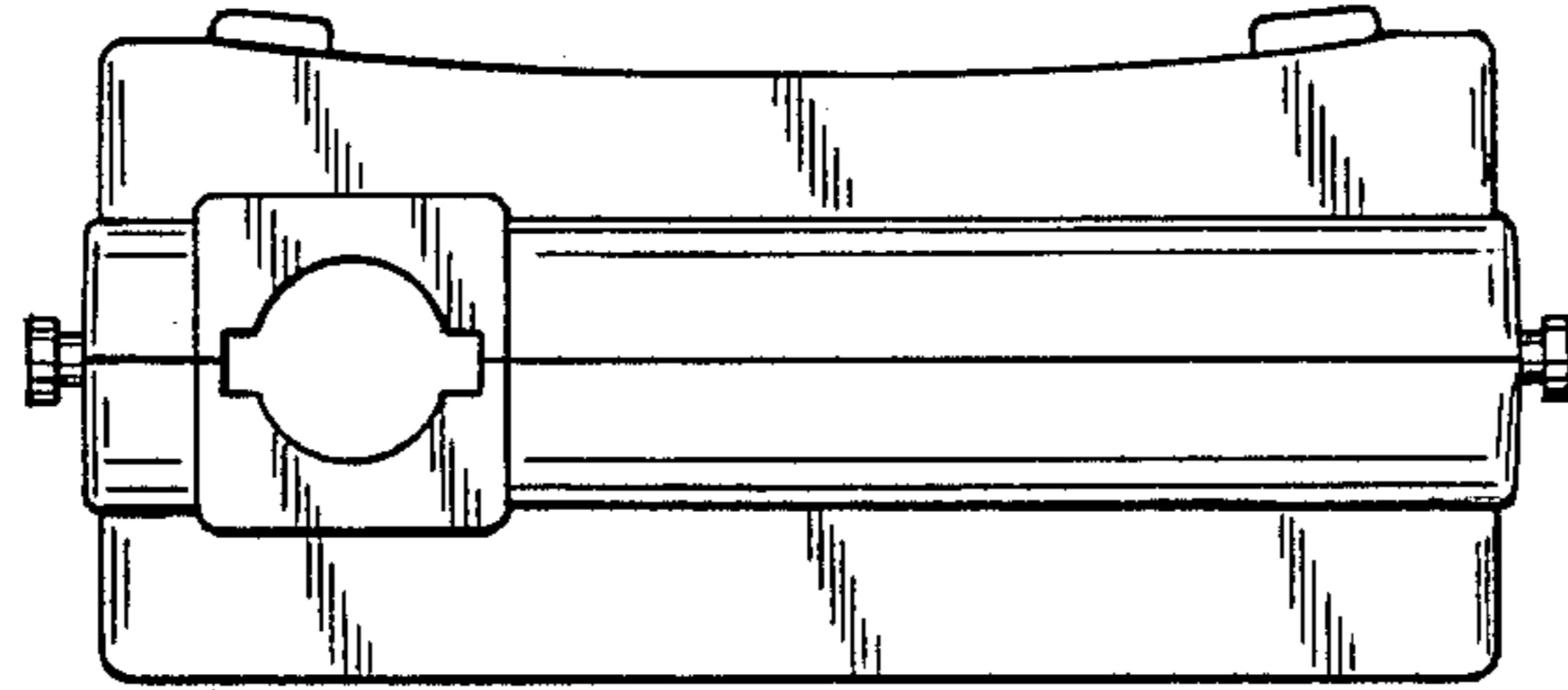


FIG. 7

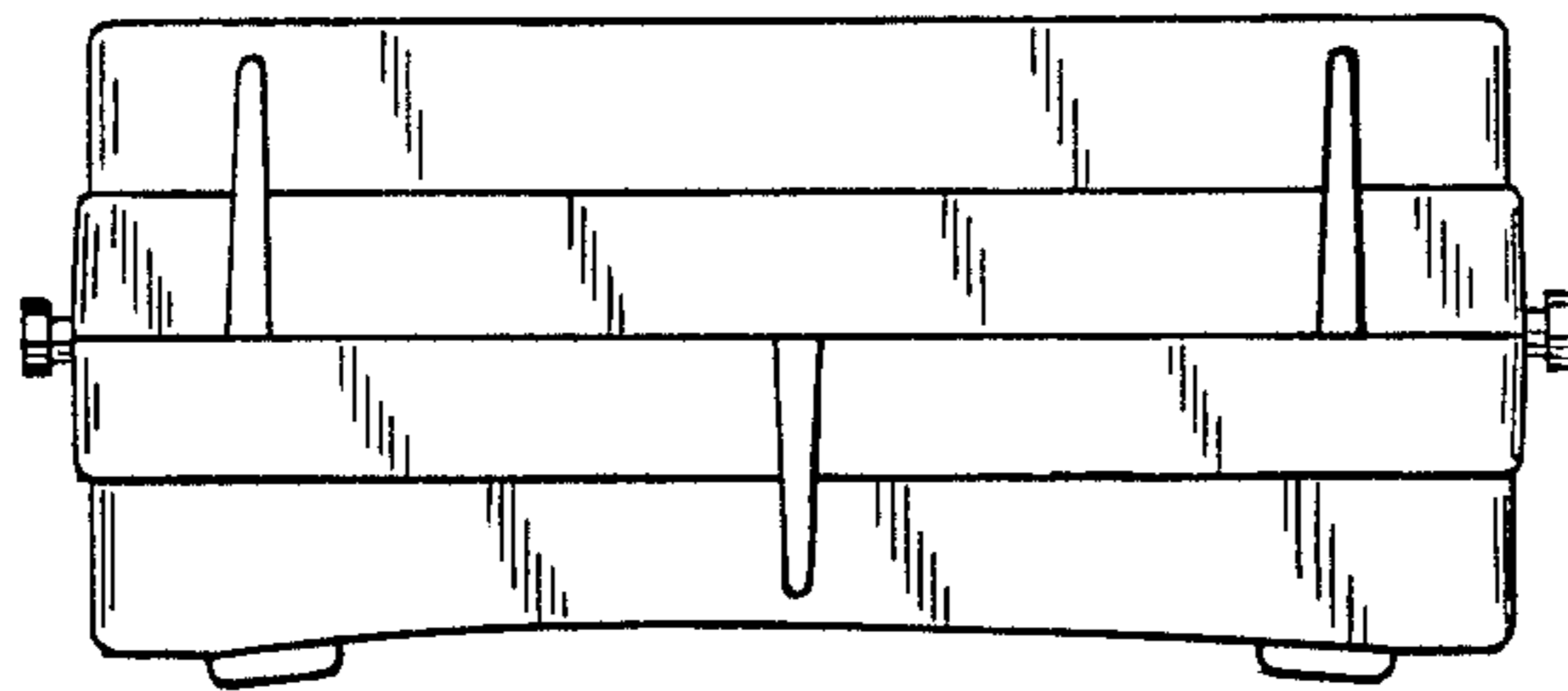


FIG. 8

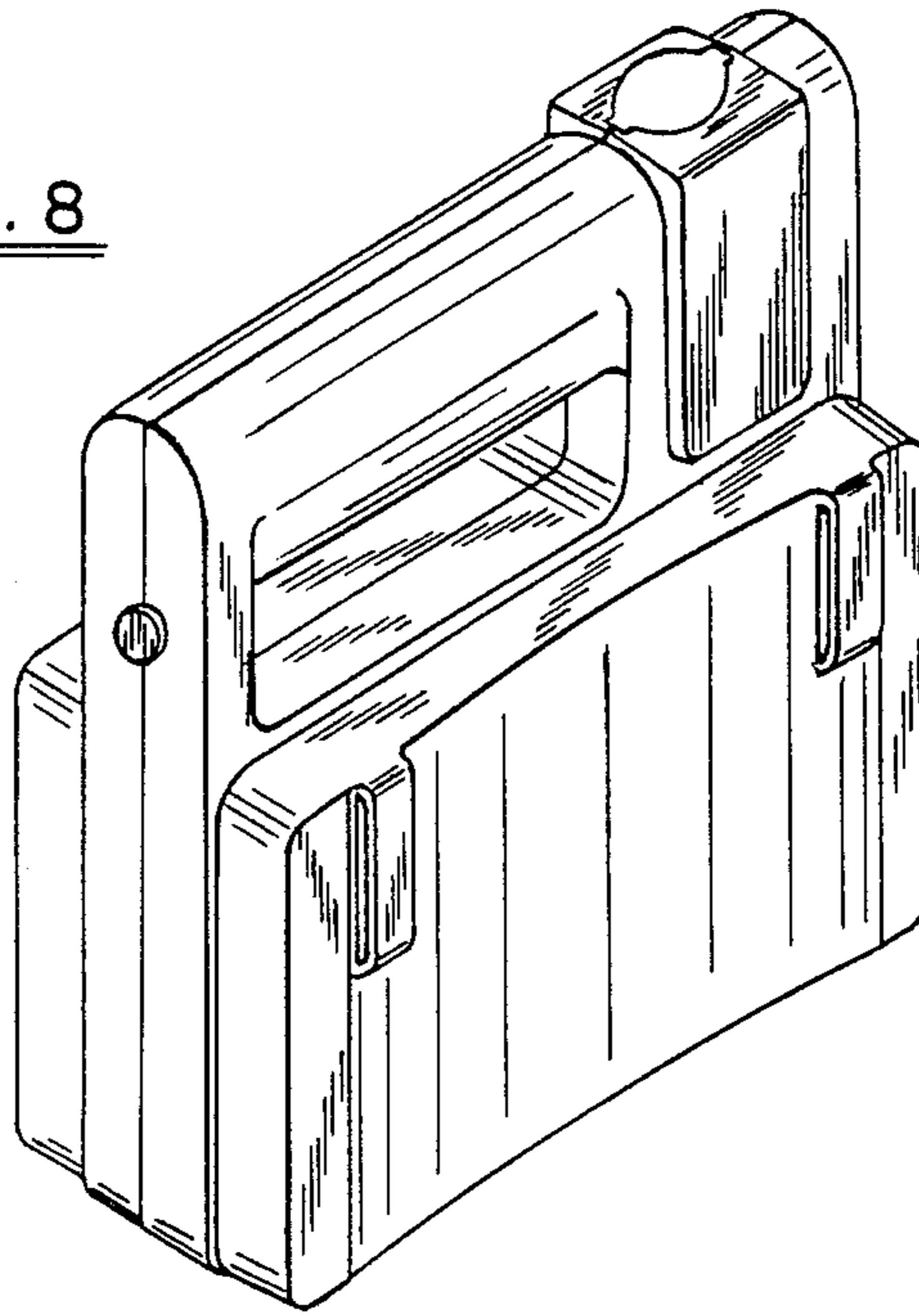


FIG. 9

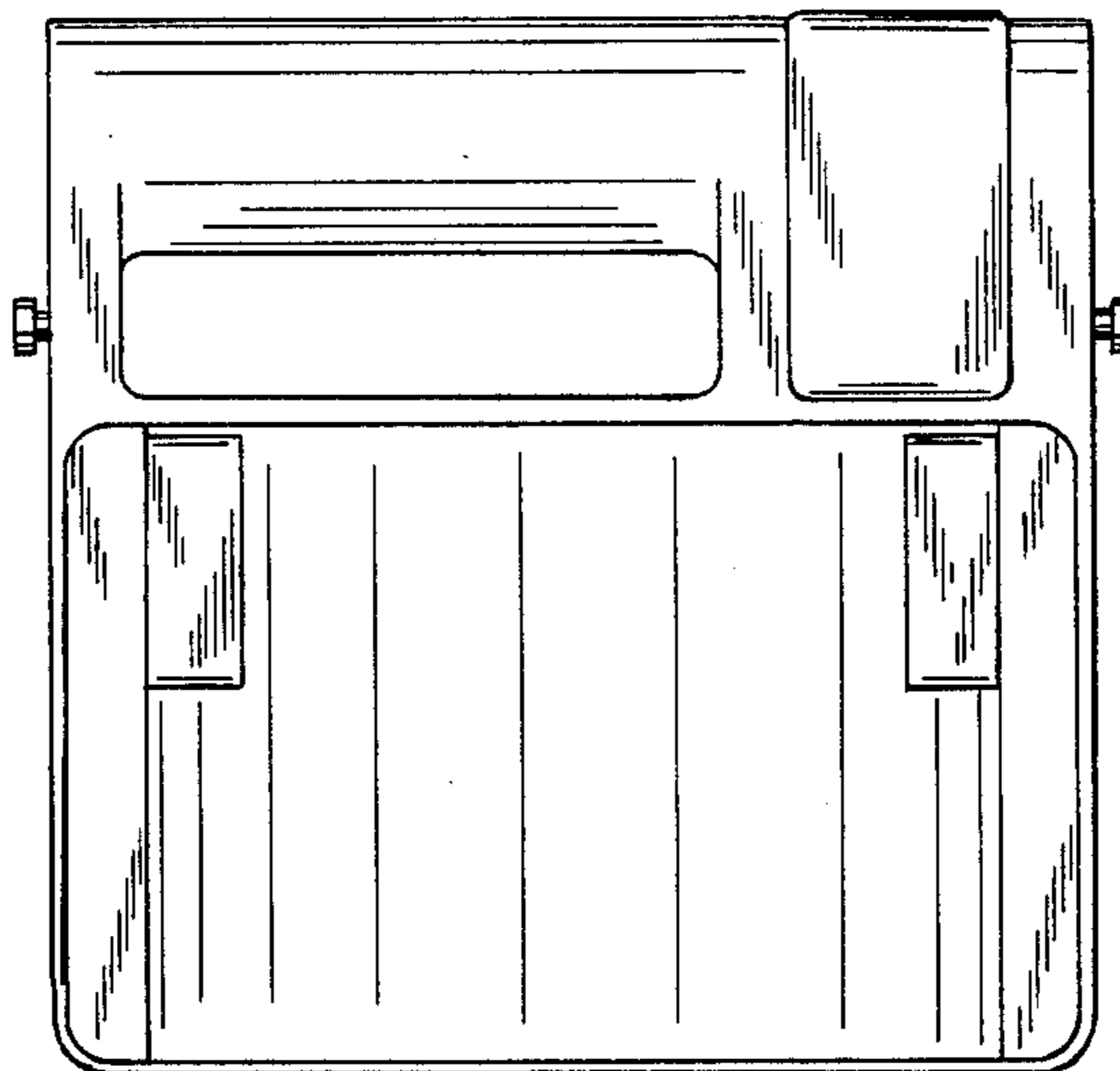


FIG. 10

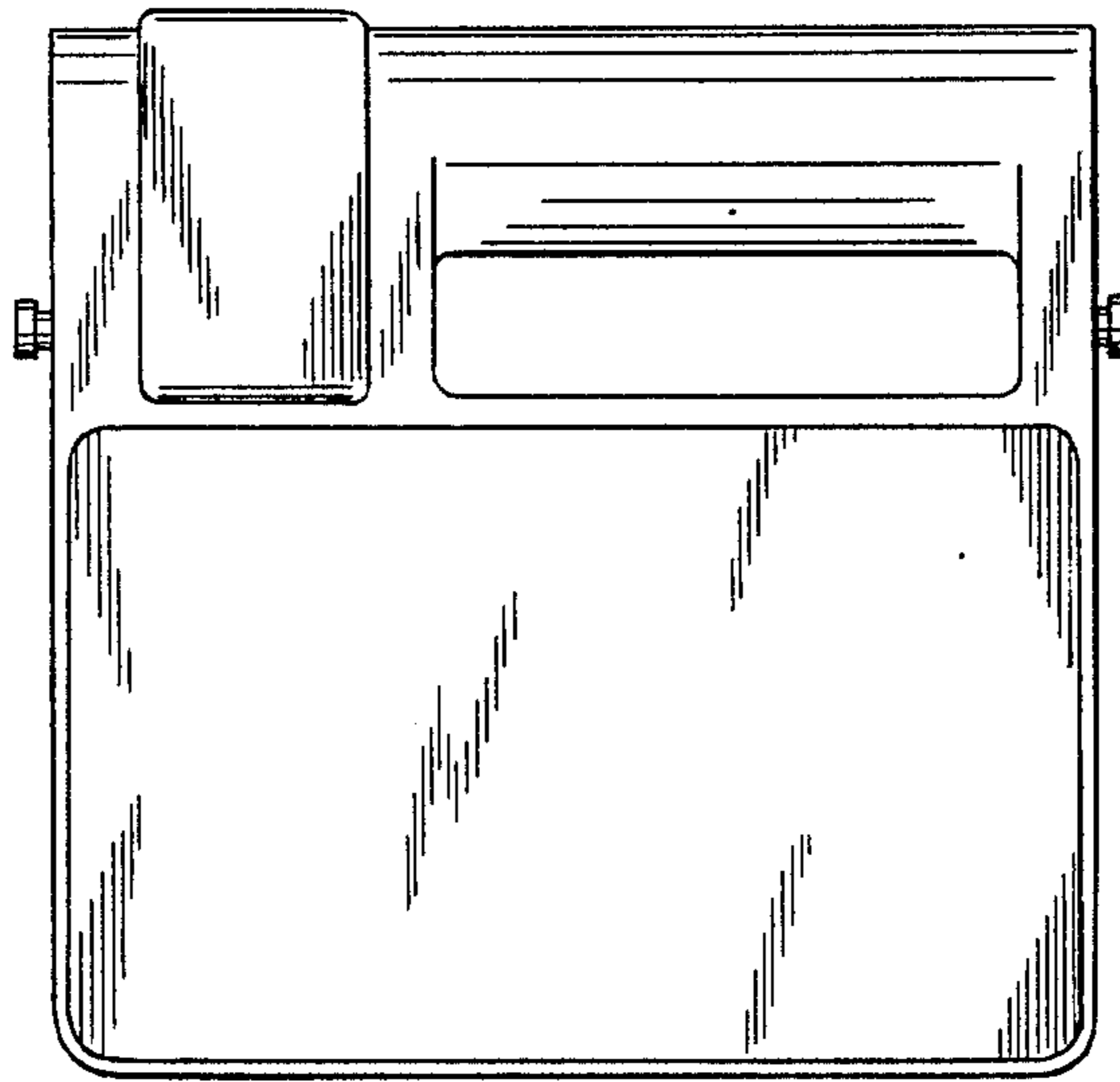


FIG. 11

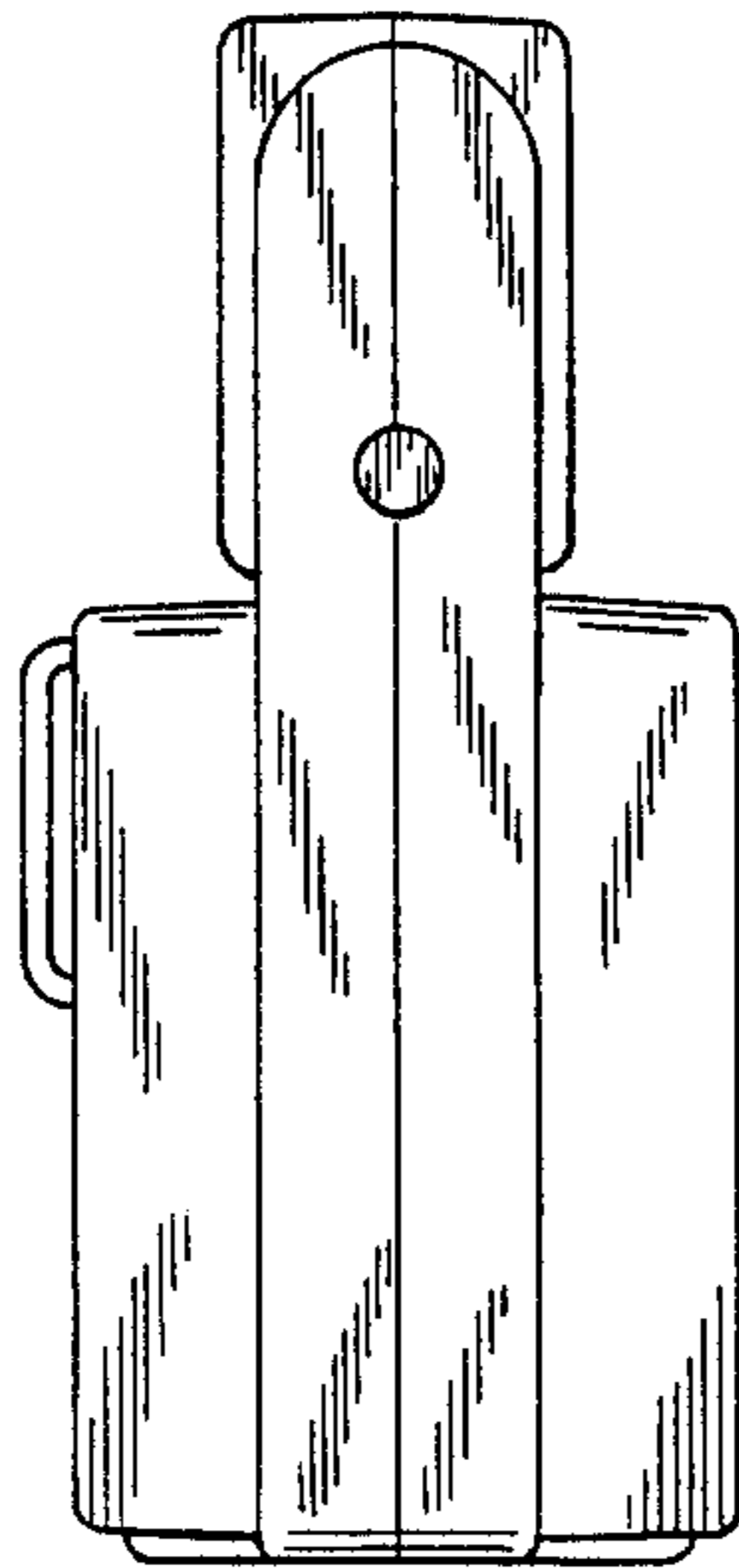


FIG. 12

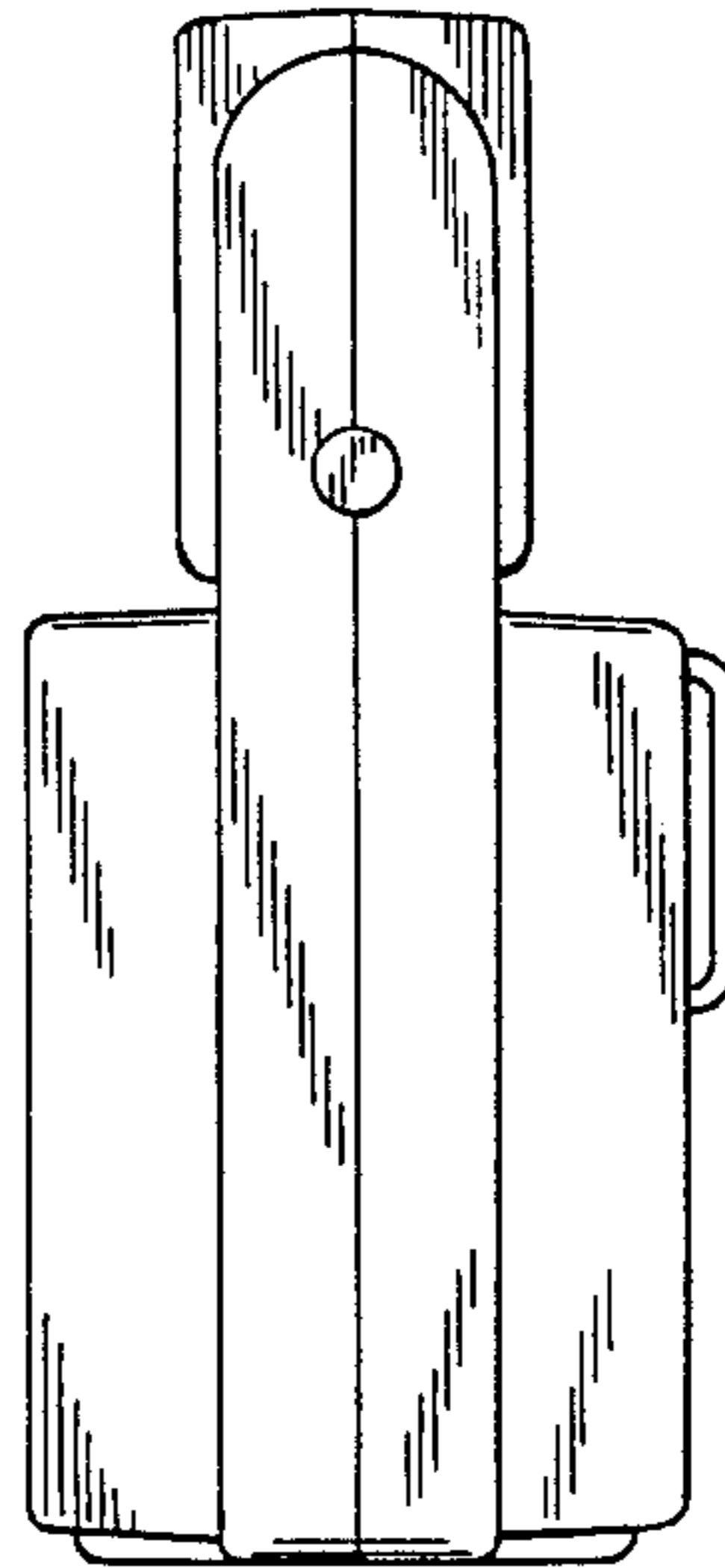


FIG. 13

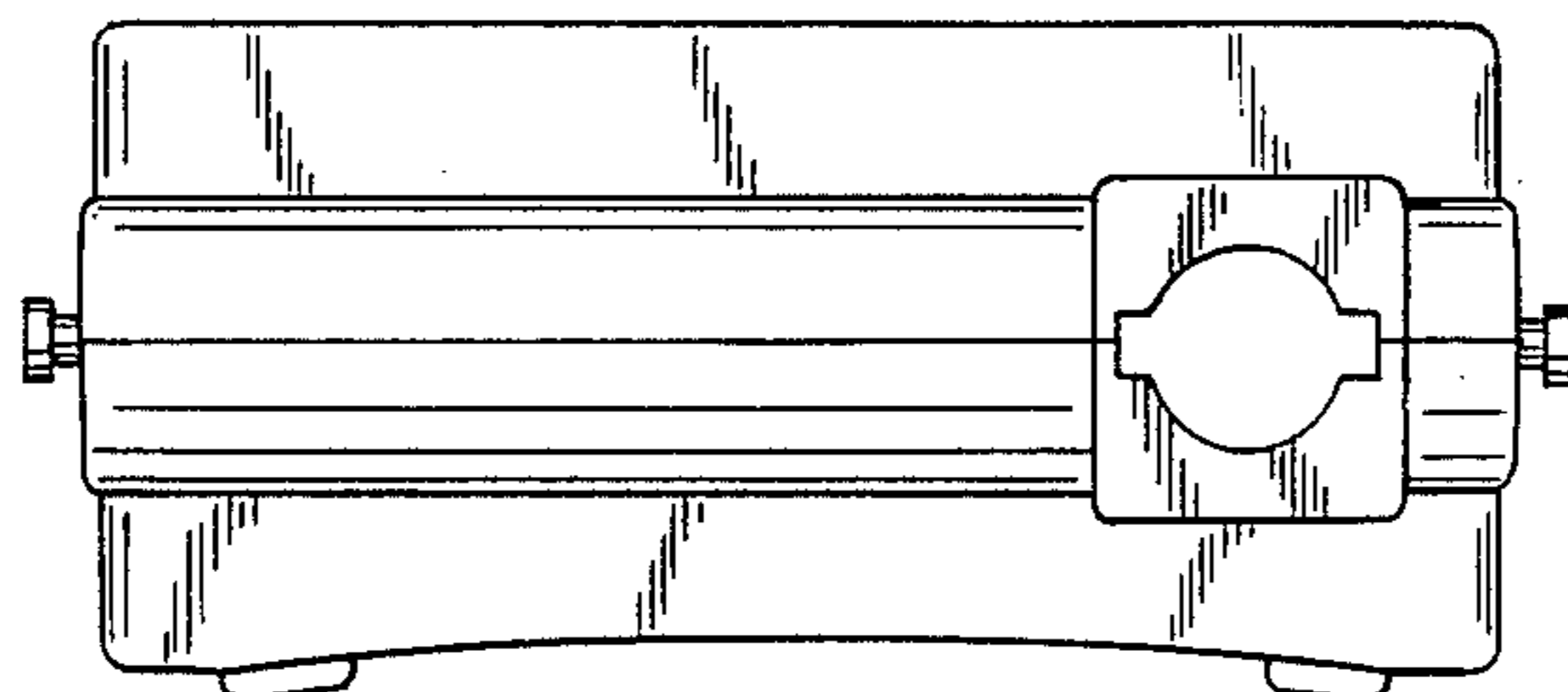


FIG. 14

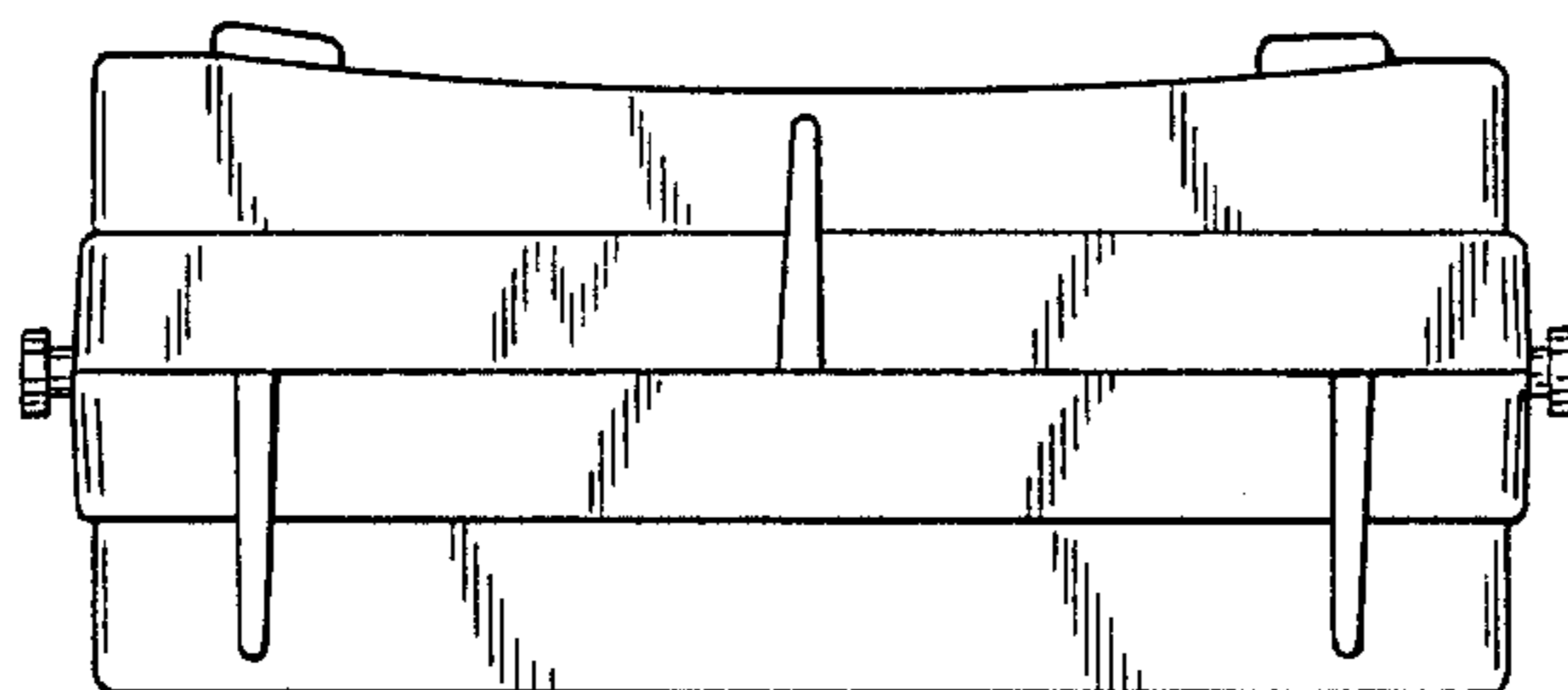


FIG. 15

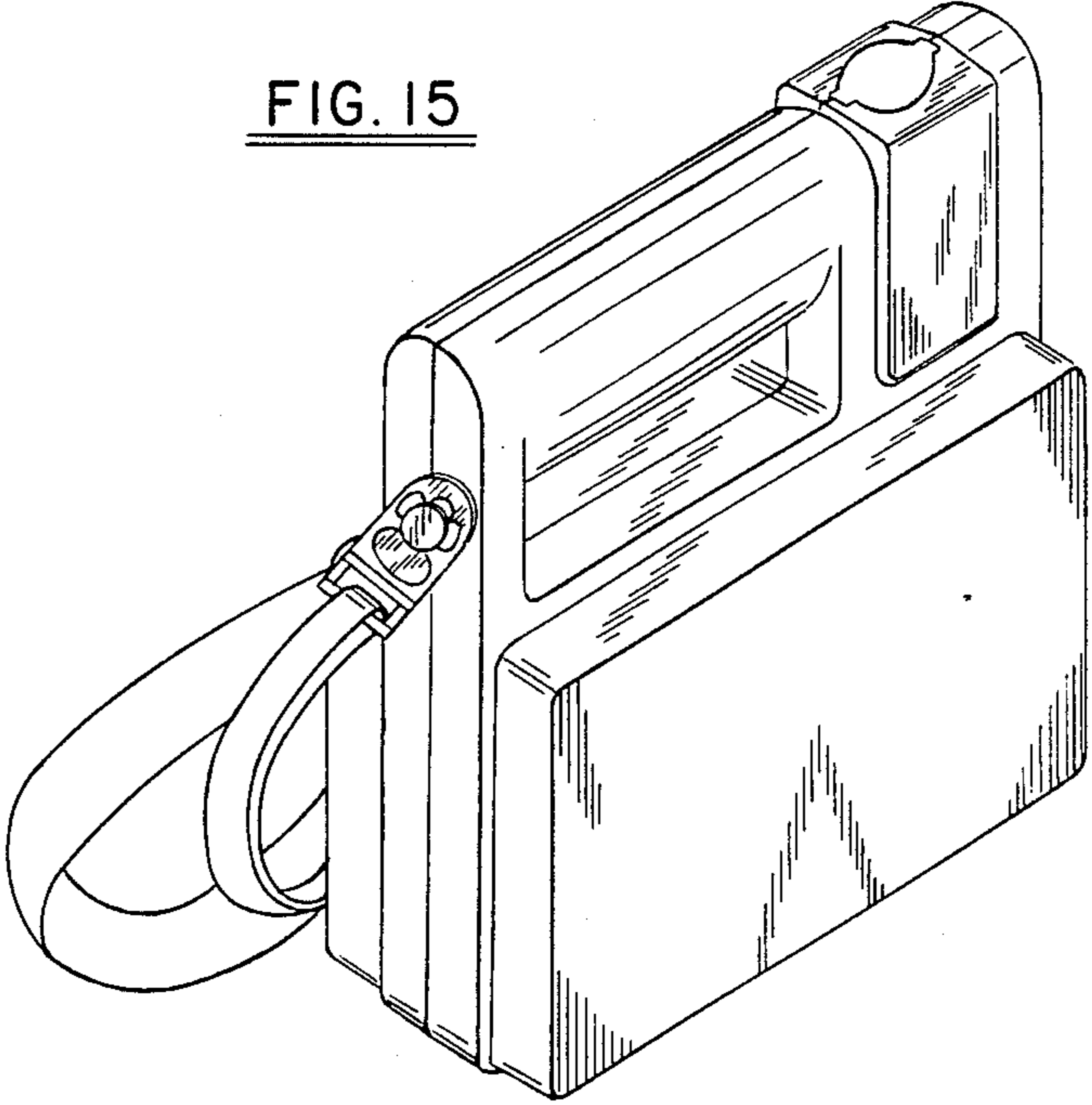
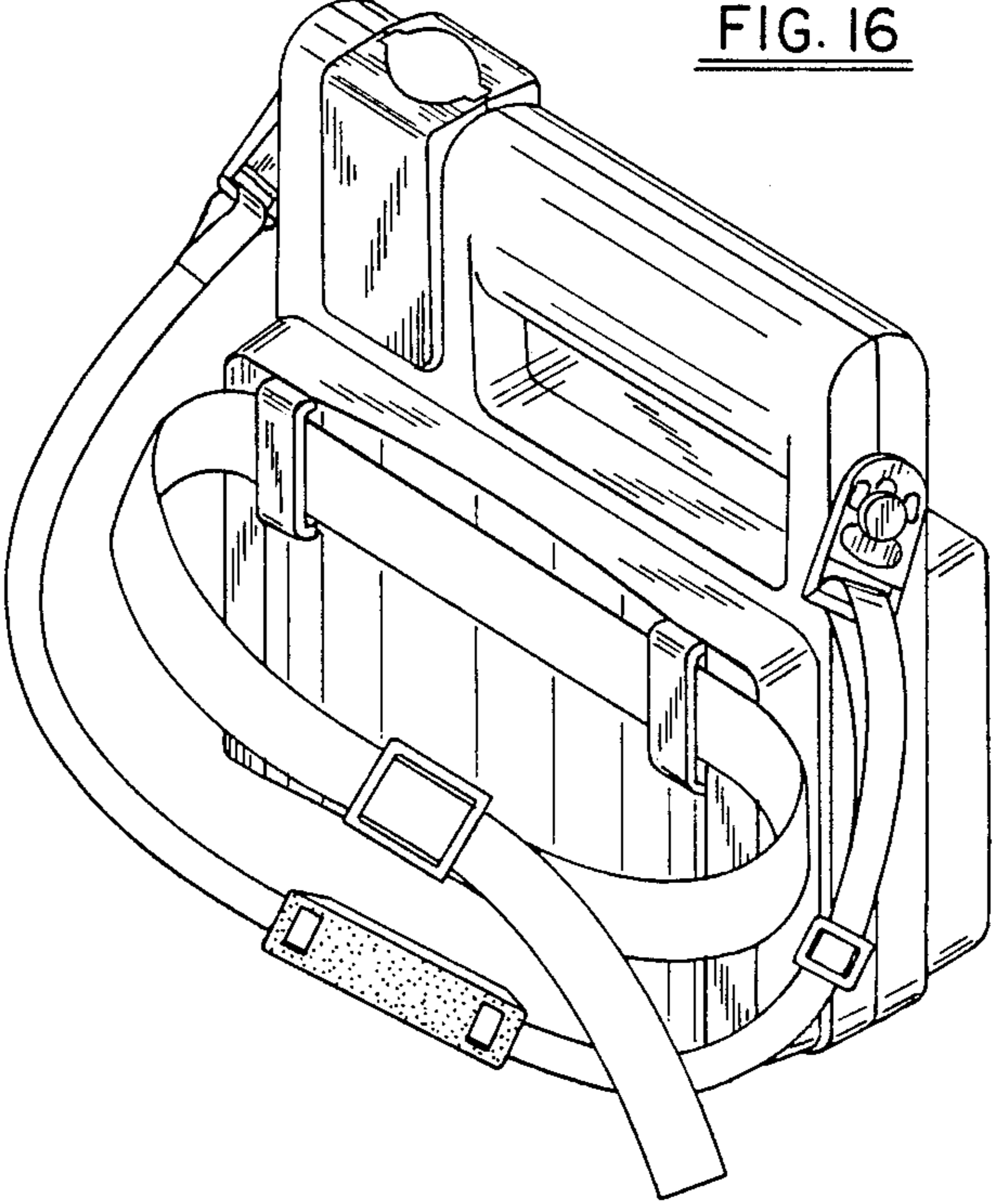


FIG. 16



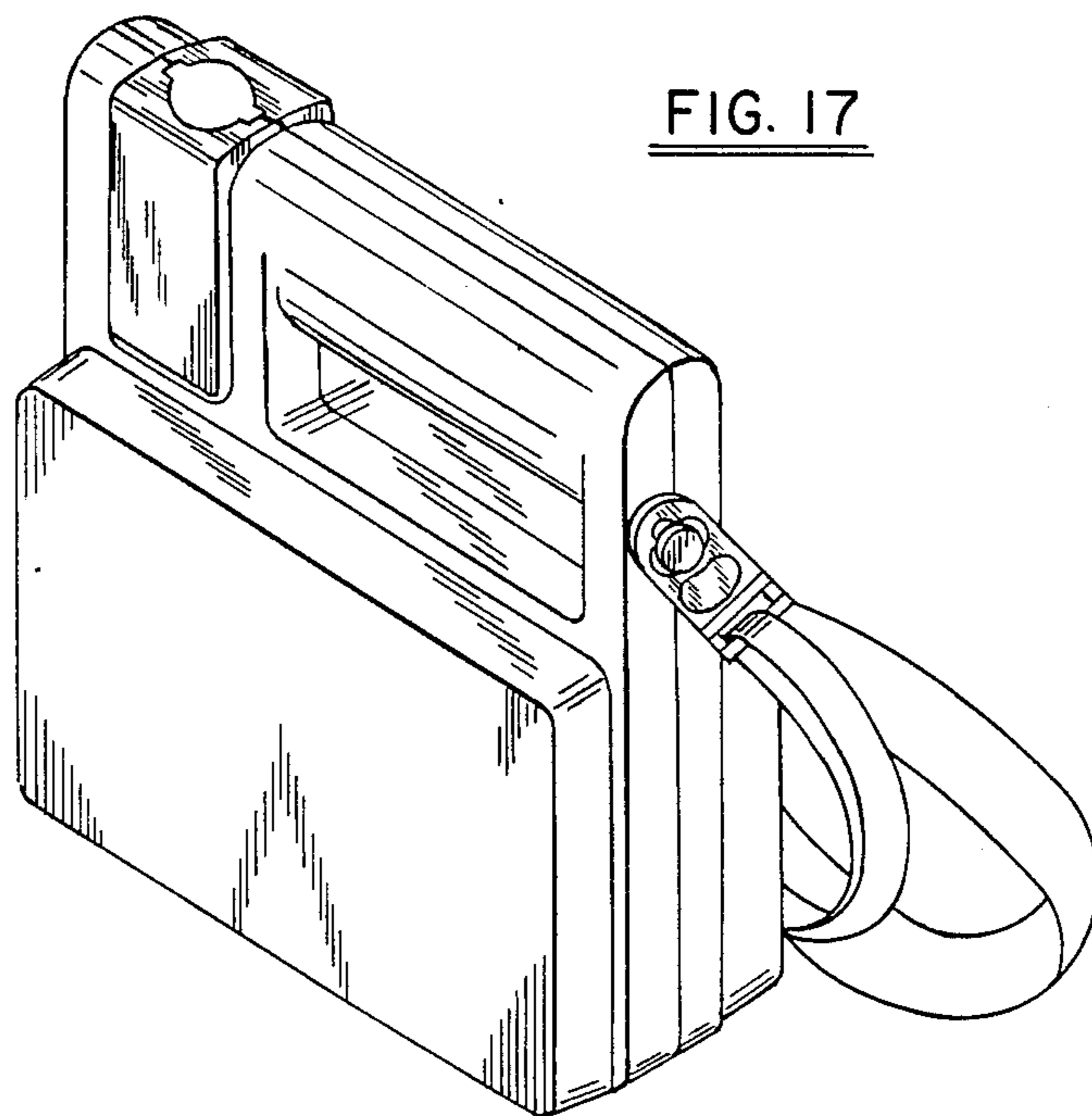


FIG. 17

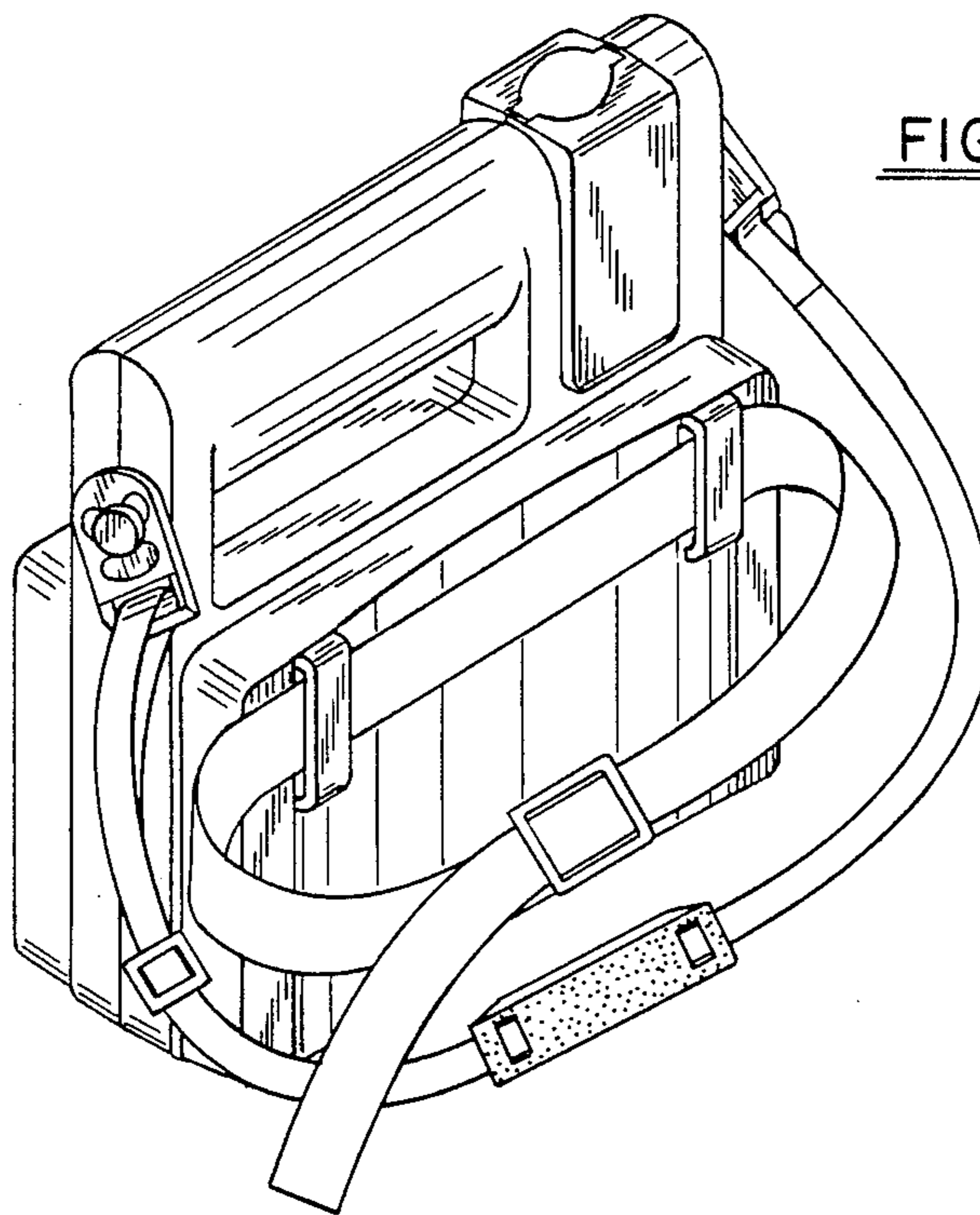


FIG. 18

FIG. 19

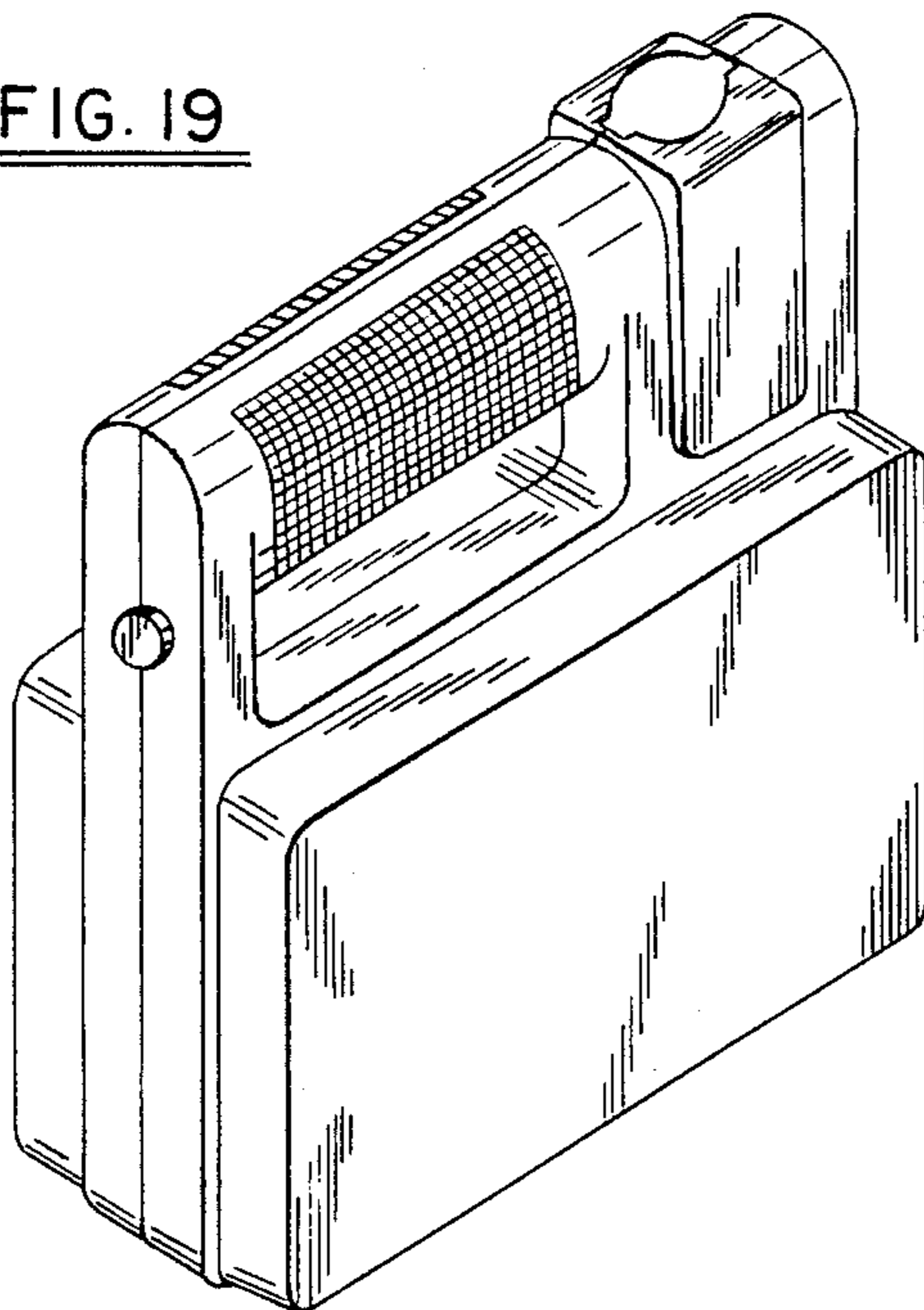


FIG. 20

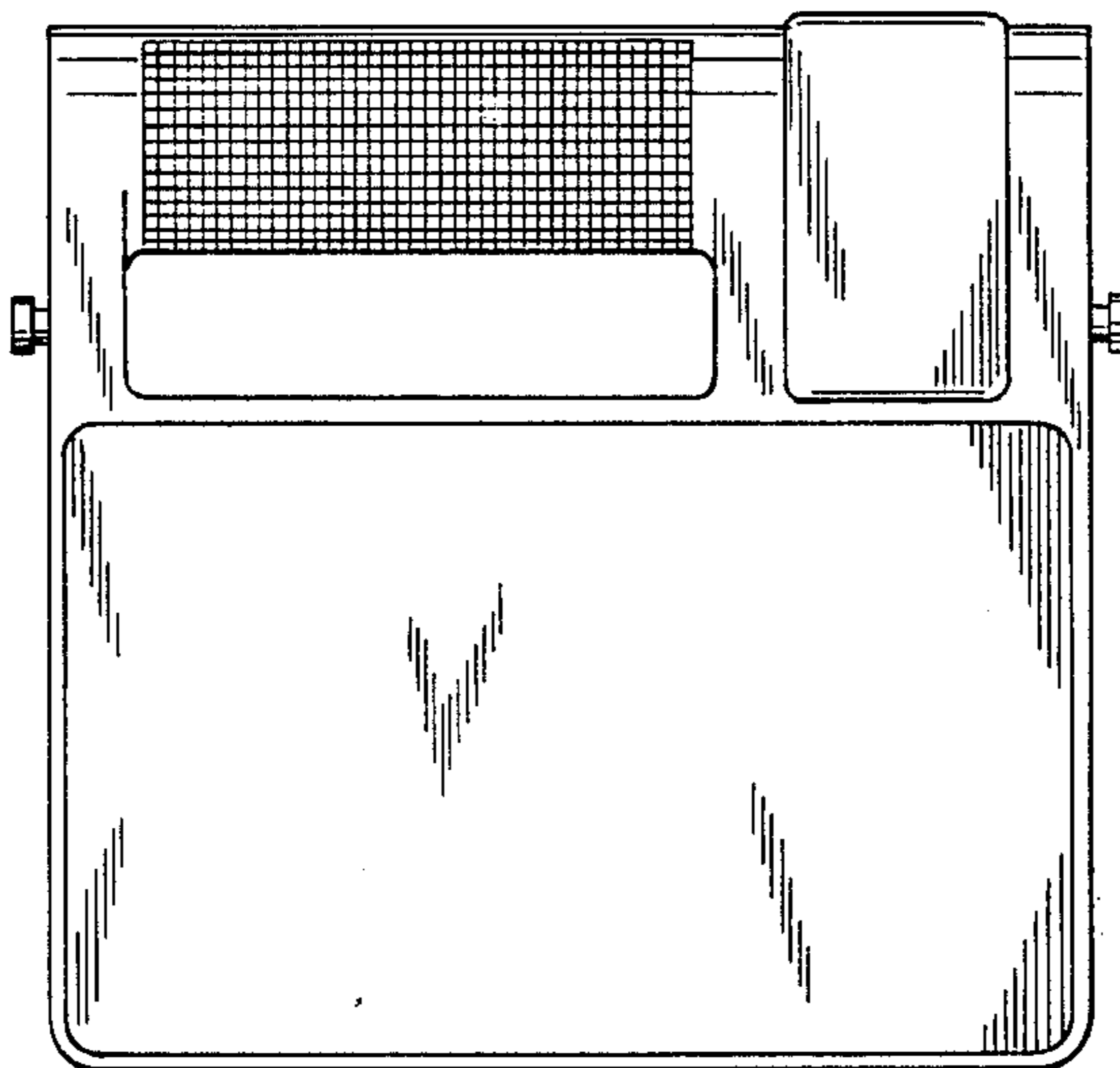


FIG. 21

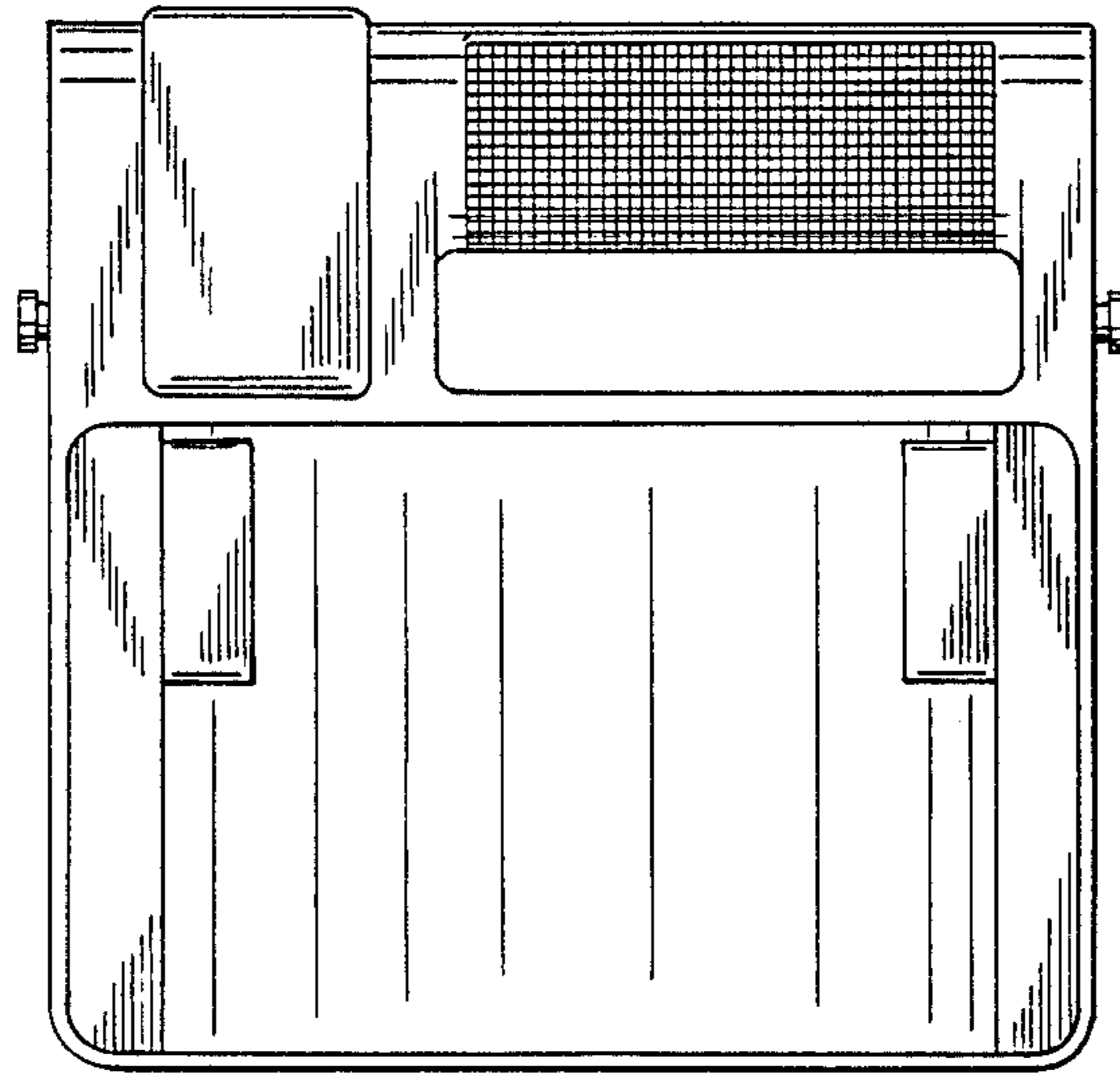


FIG. 22

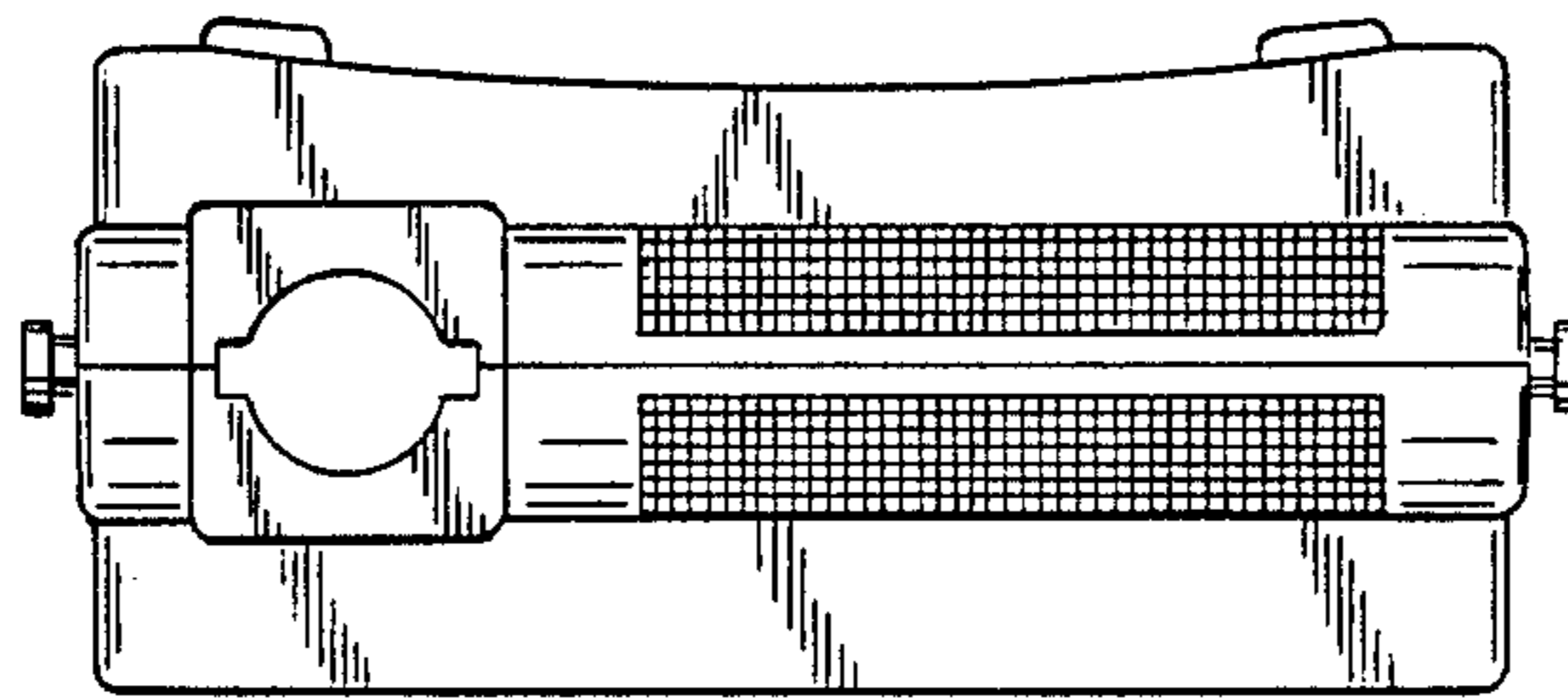


FIG. 23

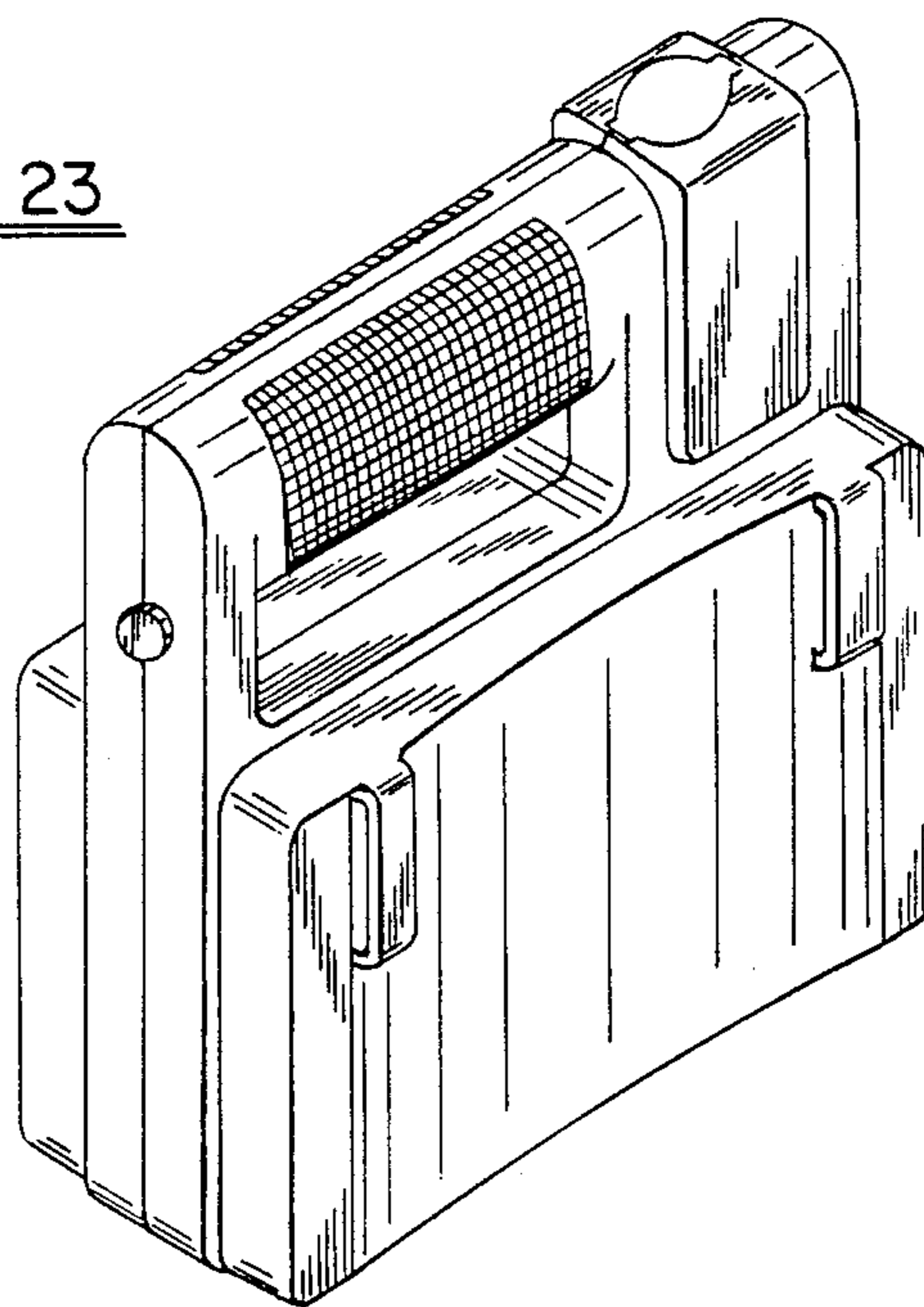


FIG. 24

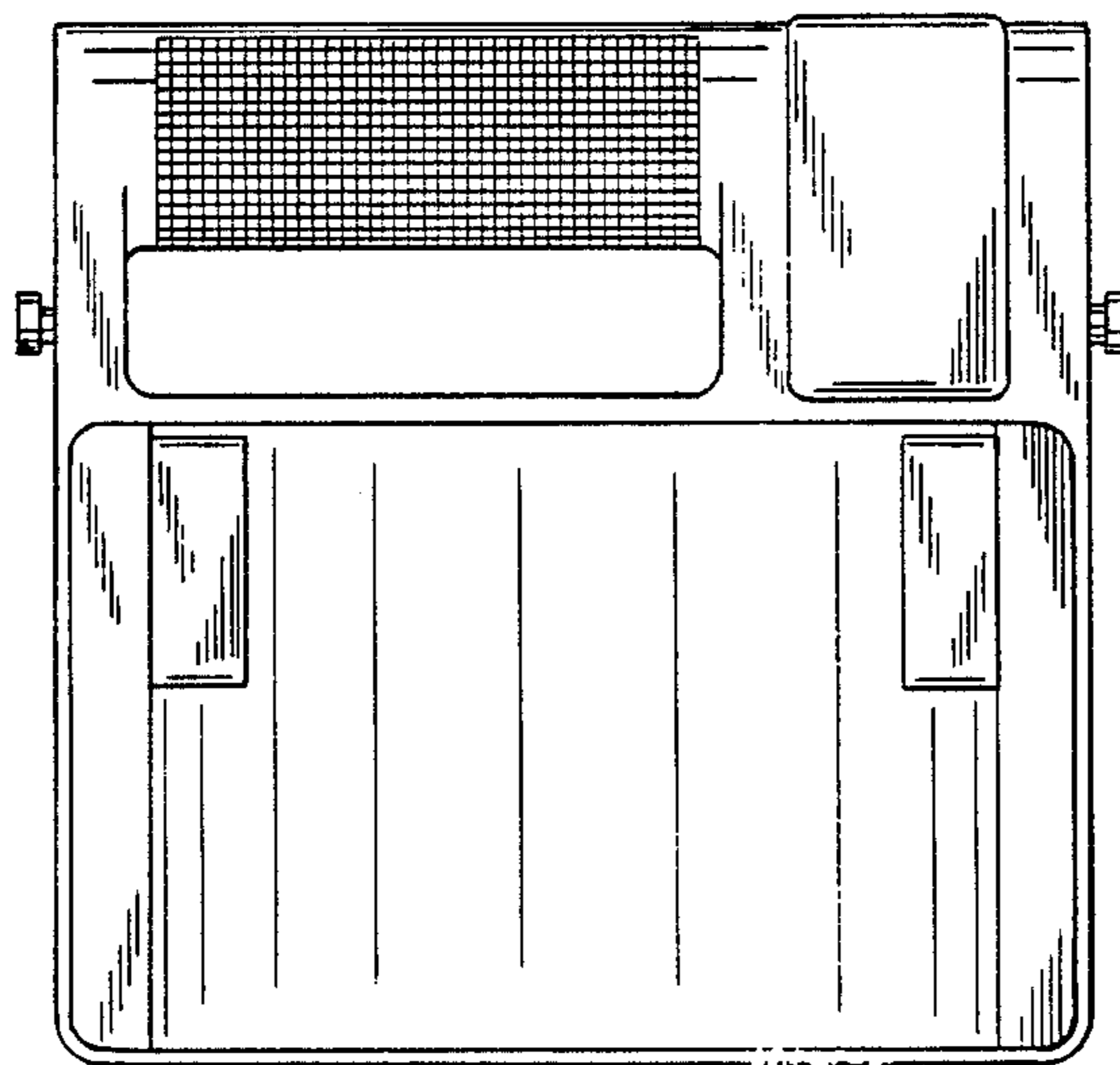


FIG. 25

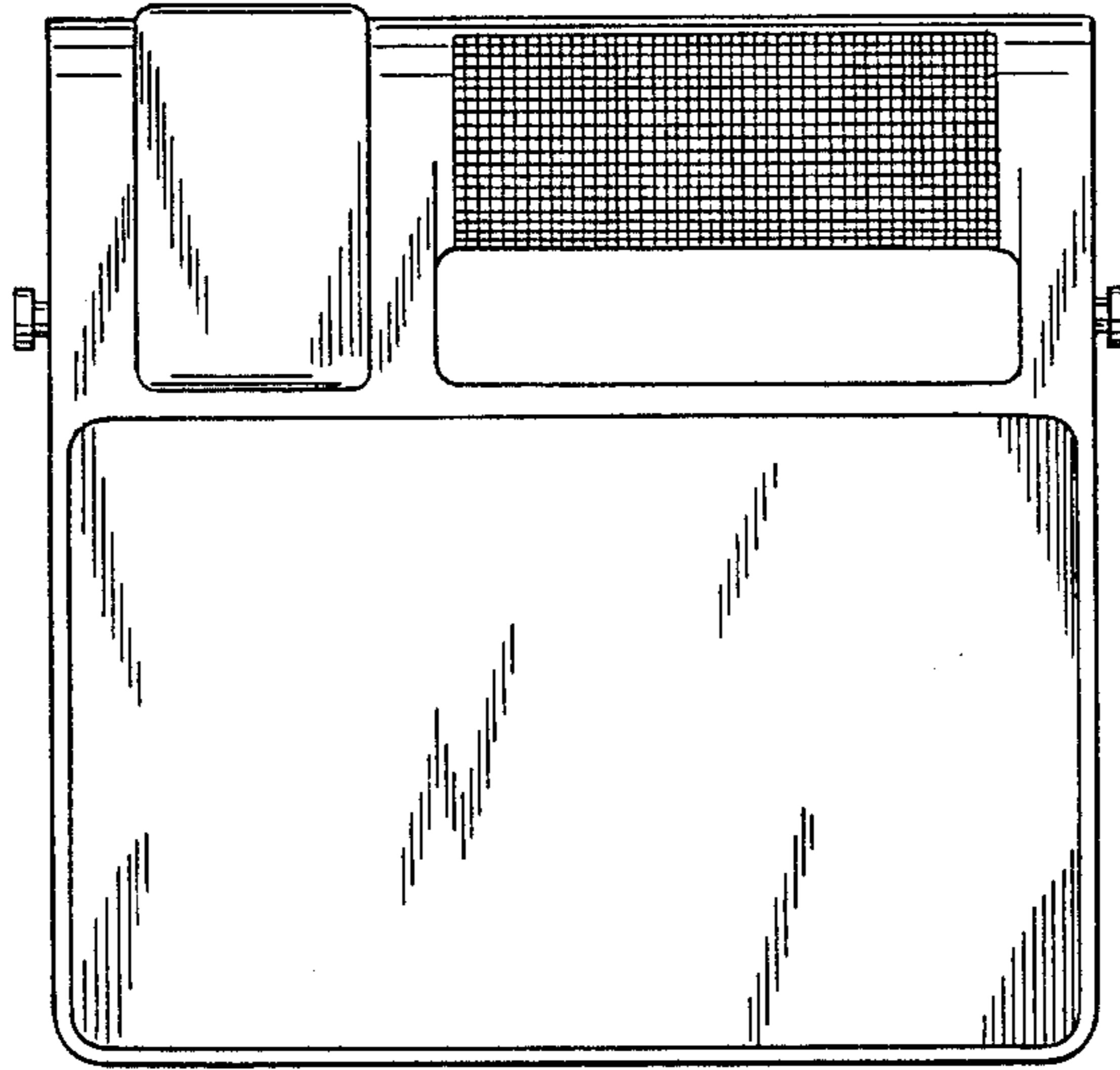


FIG. 26

