

[54] **FLUSH MOUNTED CHOCK**

4,417,539 11/1983 Thompson 114/381

[76] **Inventor: Bill D. May, 213 8th St., Port St. Joe, Fla. 32456**

Primary Examiner—Wallace R. Burke
Assistant Examiner—Kay H. Chin

[**] **Term: 14 Years**

[57] **CLAIM**

[21] **Appl. No.: 844,277**

The ornamental design for a flush mounted chock, as shown and described.

[22] **Filed: Mar. 11, 1986**

DESCRIPTION

[52] **U.S. Cl. D12/317; D8/367**

[58] **Field of Search D12/317, 217; 114/218, 114/381; D8/367**

FIG. 1 is a perspective view of a flush mounted chock showing my new design;

FIG. 2 is a top plan view thereof;

FIG. 3 is a side elevation view thereof;

FIG. 4 is a front elevational view thereof;

FIG. 5 is a perspective view of a second embodiment of the flush mounted chock;

FIG. 6 is a top plan view of FIG. 5;

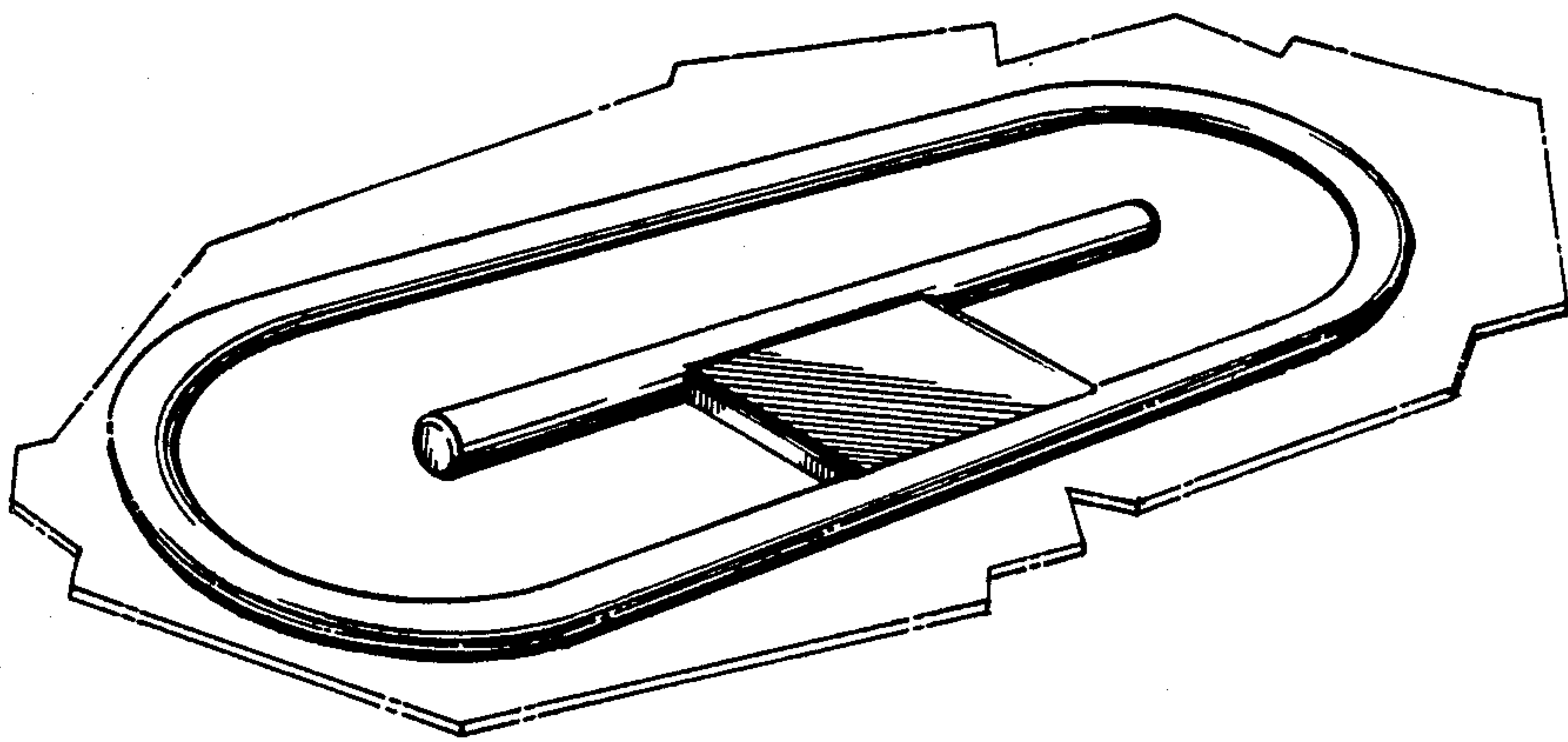
FIG. 7 is a side elevational view of FIG. 5; and

FIG. 8 is a front elevational view of FIG. 5.

[56] **References Cited**

U.S. PATENT DOCUMENTS

2,962,998	12/1960	Long	114/218
3,190,253	6/1965	Grimm	114/218
3,334,914	8/1967	Vierregger	114/218
3,747,554	7/1973	Allen	114/218



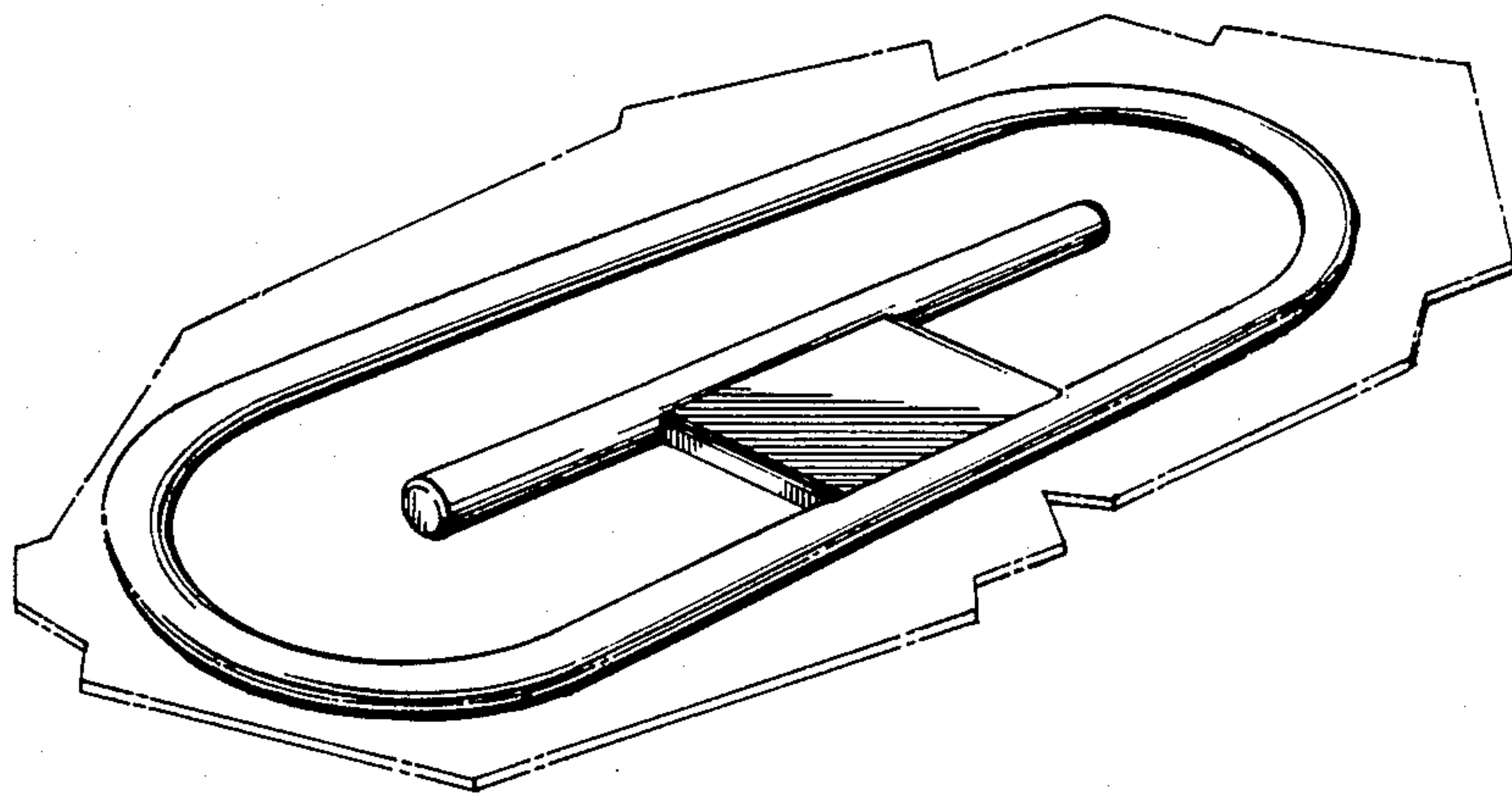


FIG 1

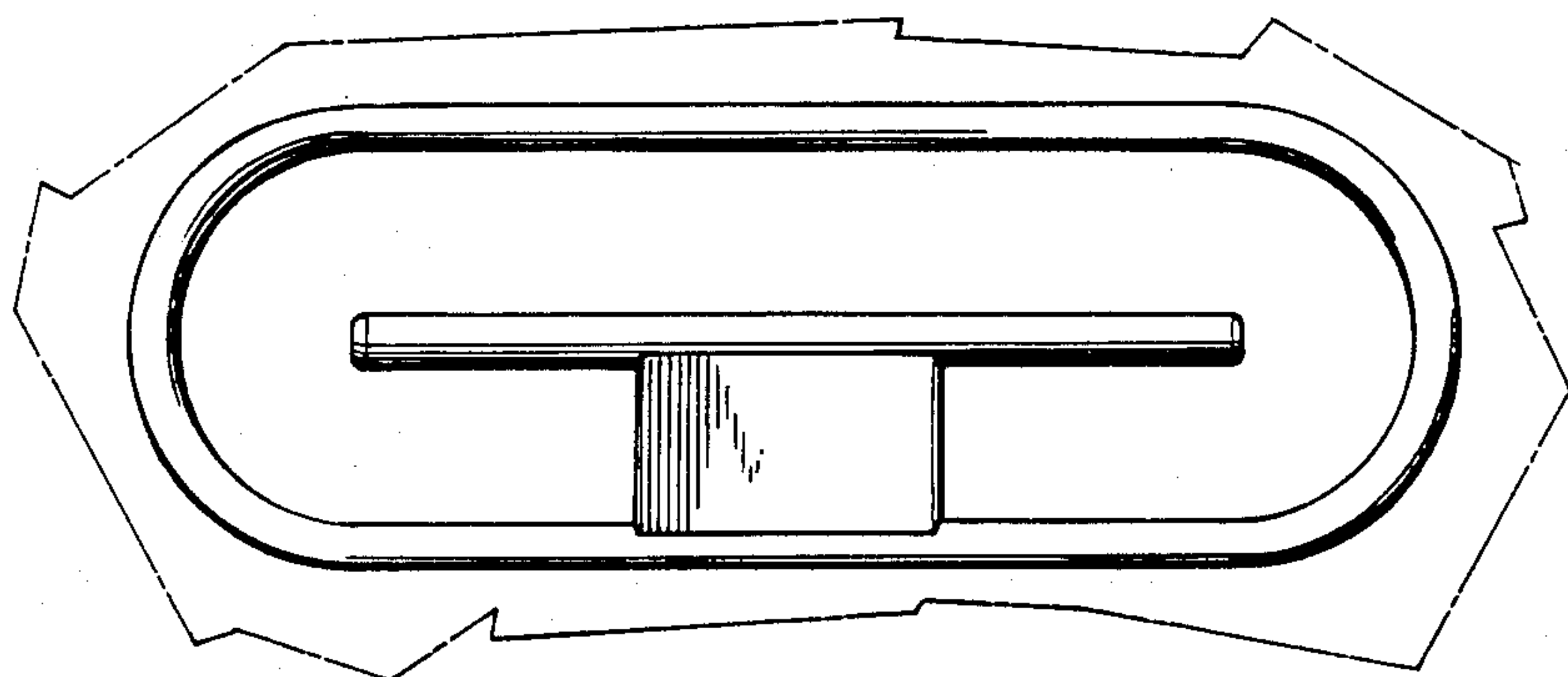


FIG 2

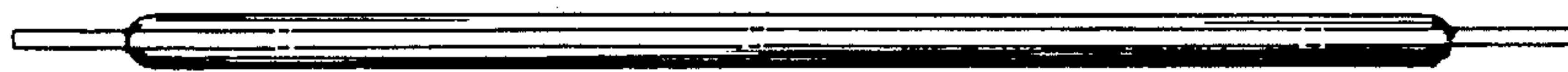


FIG 3



FIG 4

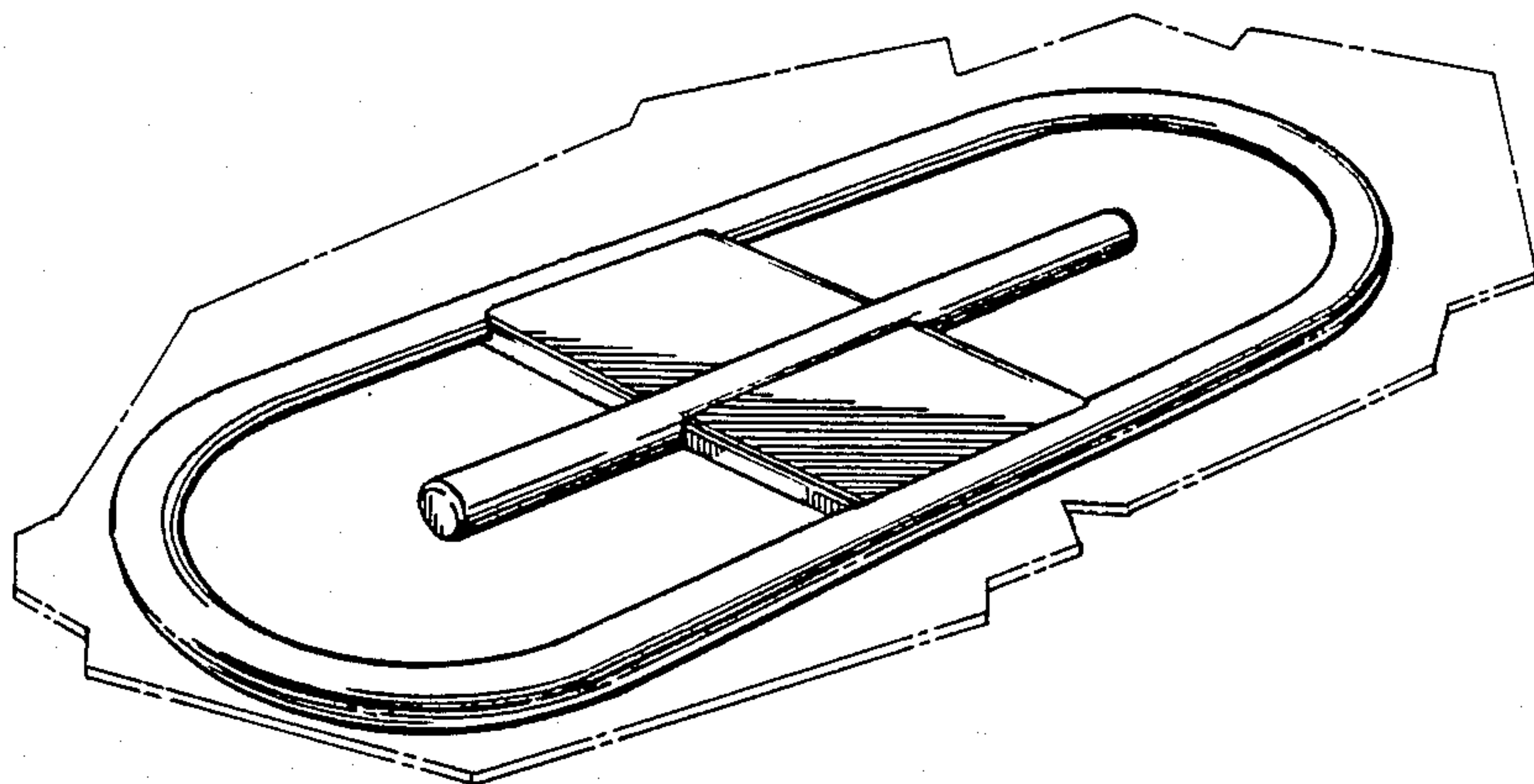


FIG 5

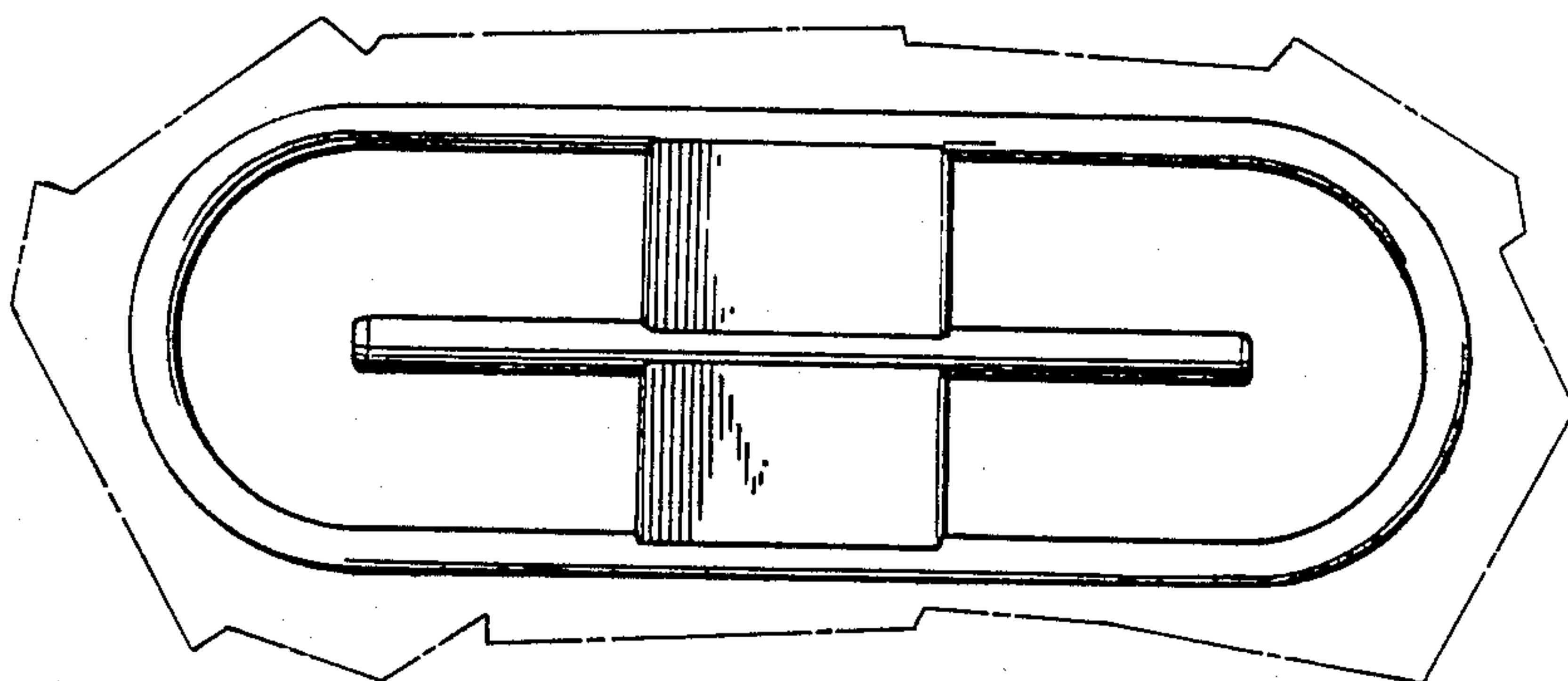


FIG 6

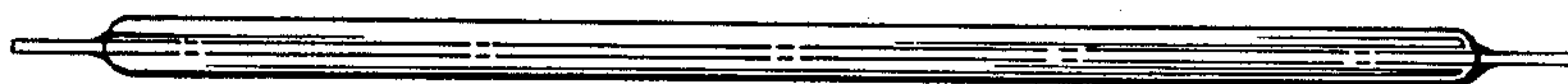


FIG 7

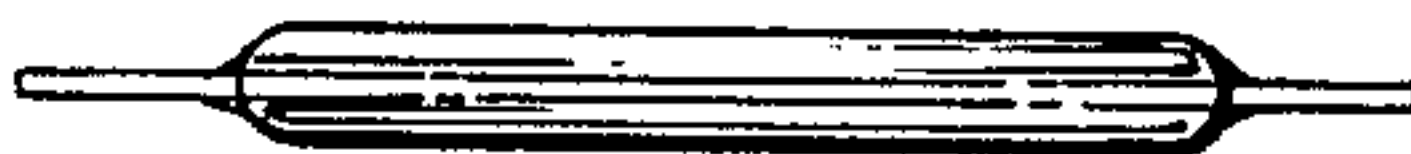


FIG 8