

[54] **RUNNING BOARD**

[75] Inventor: Robert E. Bowdoin, Elkhart, Ind.

[73] Assignee: Bowdoin Products, Inc., Elkhart, Ind.

[\*\*] Term: 14 Years

[21] Appl. No.: 13,381

[22] Filed: Feb. 11, 1987

[52] U.S. Cl. .... D12/203

[58] Field of Search ..... D12/203; D25/69;  
280/163, 169; 52/179, 181

[56] **References Cited**

**U.S. PATENT DOCUMENTS**

- D. 257,532 11/1980 Okland ..... D12/203
- D. 258,128 2/1981 Baker ..... D12/203
- D. 278,329 4/1985 Baker et al. .... D12/203

**OTHER PUBLICATIONS**

J. C. Whitney Catalog No. 478. J, ©1986, p. 69, Aluminum Running Board with Safety Step Rubber, Inserts & High-Back Running Board, b, lower left & right side of page respectively.

*Primary Examiner*—James M. Gandy  
*Attorney, Agent, or Firm*—James D. Hall; Thomas J. Dodd; Todd A. Dawson

[57] **CLAIM**

The ornamental design for a running board, as shown and described.

**DESCRIPTION**

FIG. 1 is a perspective view of the running board showing my new design;  
FIG. 2 is an enlarged left end elevation view thereof, the right end being a mirror image of that shown;  
FIG. 3 is an enlarged front elevation view thereof;  
FIG. 4 is an enlarged top plan view thereof;  
FIG. 5 is a left end elevation view of a running board showing a second embodiment of my new design, the right end being a mirror image of that shown;  
FIG. 6 is a front elevation view of FIG. 5; and  
FIG. 7 is a top plan view of FIG. 5.

The running board has been broken away in the middle in FIGS. 3, 4, 6 and 7 for convenience of illustration and the bottom and rear of the running board are understood to be flat and unornamented.

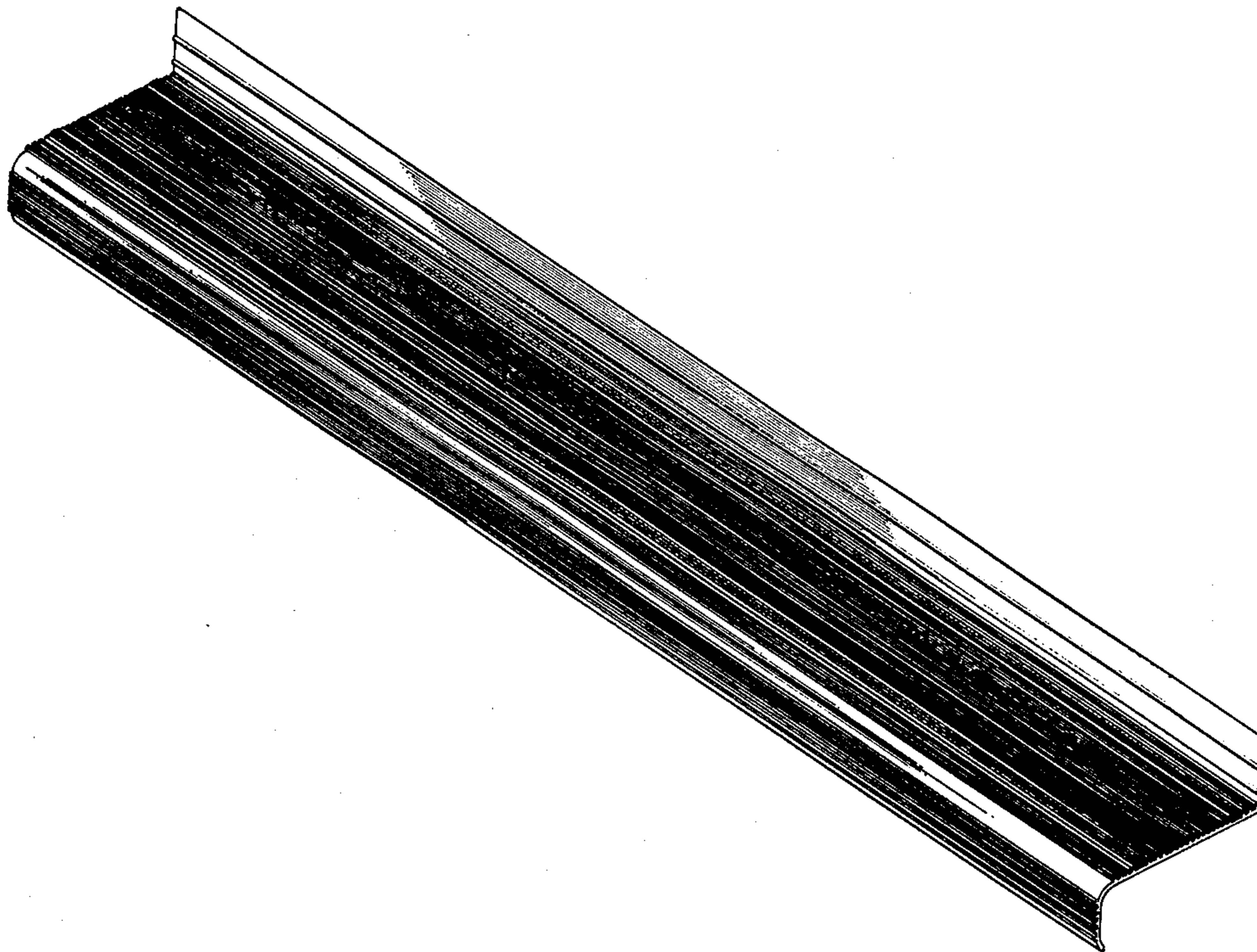
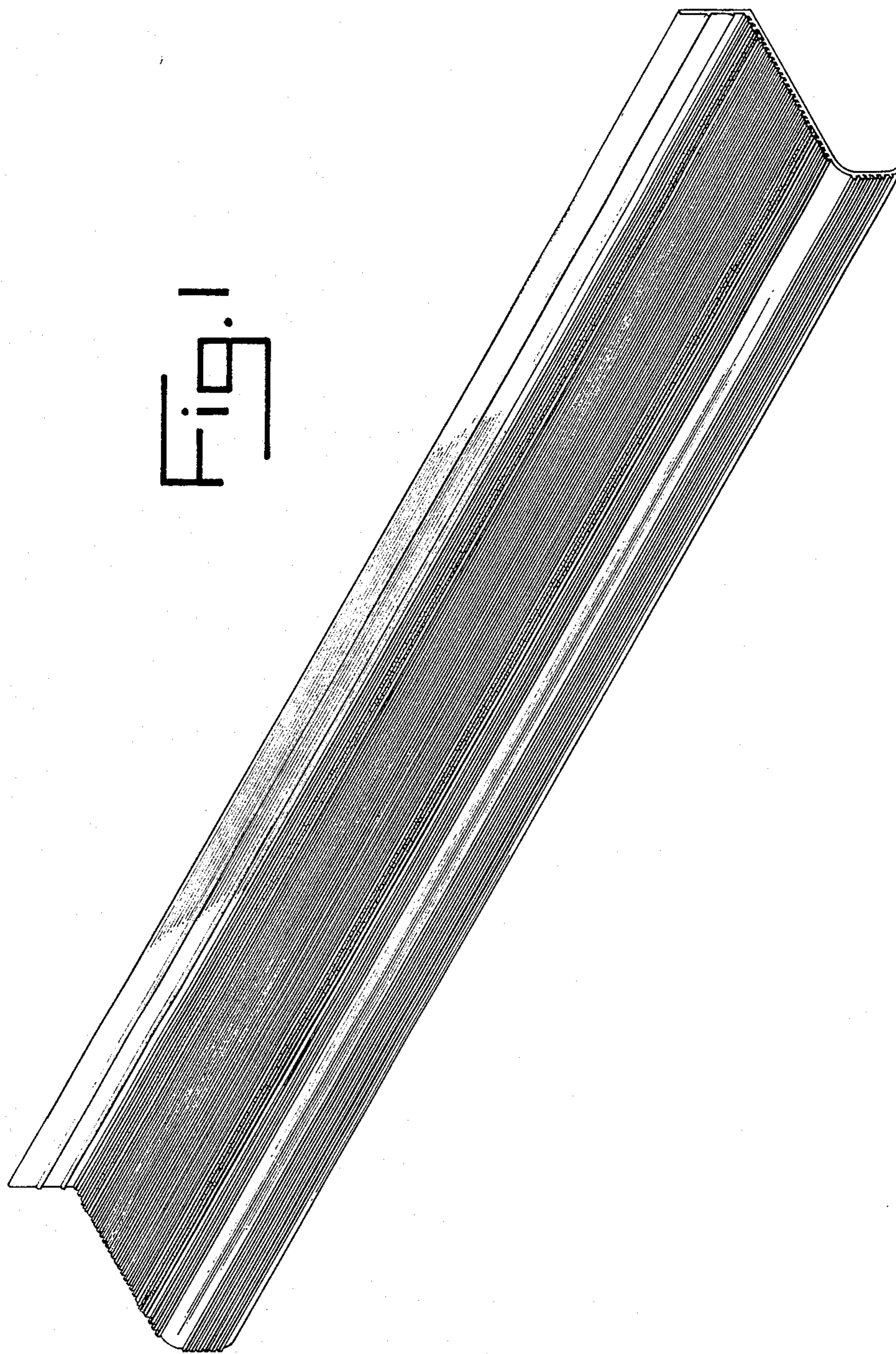


Fig. 1



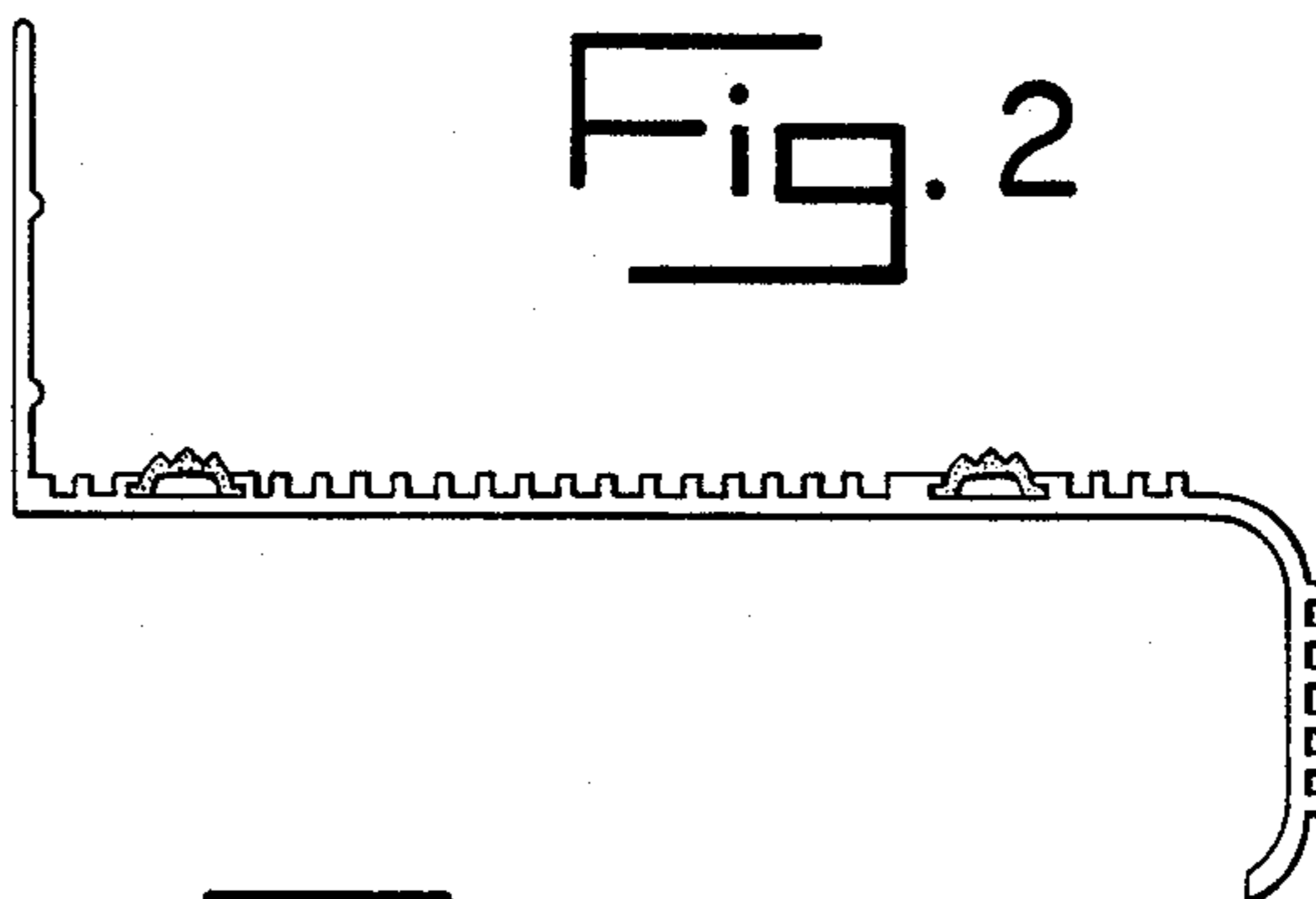


Fig. 3

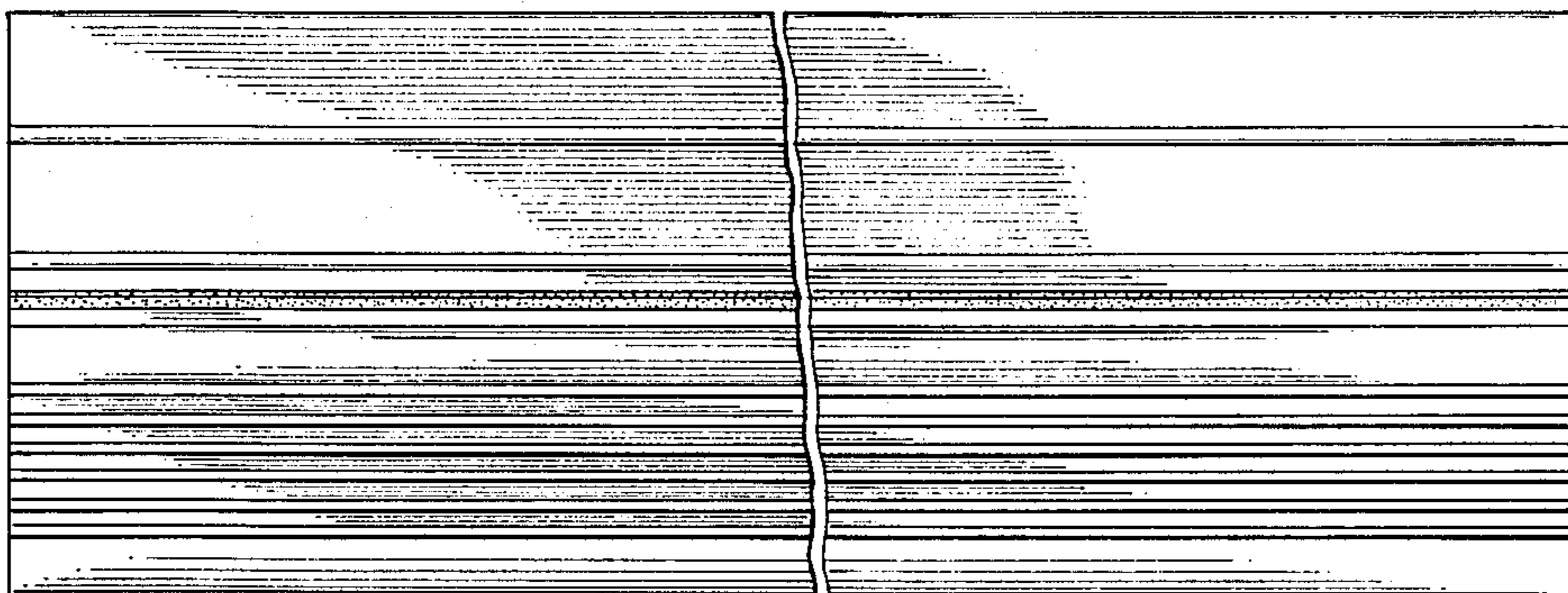


Fig. 4

