

[54] BLIND SPOT REAR VIEW MIRROR

[76] Inventors: Harold V. Sentmore, 2015 Jennifer, San Antonio, Tex. 78224; Gloriadean A. Leggett, 843 Blue Aster, San Antonio, Tex. 78245

[**] Term: 14 Years

[21] Appl. No.: 84,742

[22] Filed: Aug. 13, 1987

[52] U.S. Cl. D12/187

[58] Field of Search D12/187; 350/600, 605, 350/612, 615, 616; 248/475.1, 479, 484, 485, 487

[56] References Cited

U.S. PATENT DOCUMENTS

D. 188,757	9/1960	Suarez	D12/187
4,004,850	1/1977	Nelson	350/616
4,019,812	4/1977	Carnine	350/616

OTHER PUBLICATIONS

J. C. Whitney Catalog No. 451D, ©1984, p. 110, Dual-Panel Rear View Blind-Spot Mirror, center, right side of page.

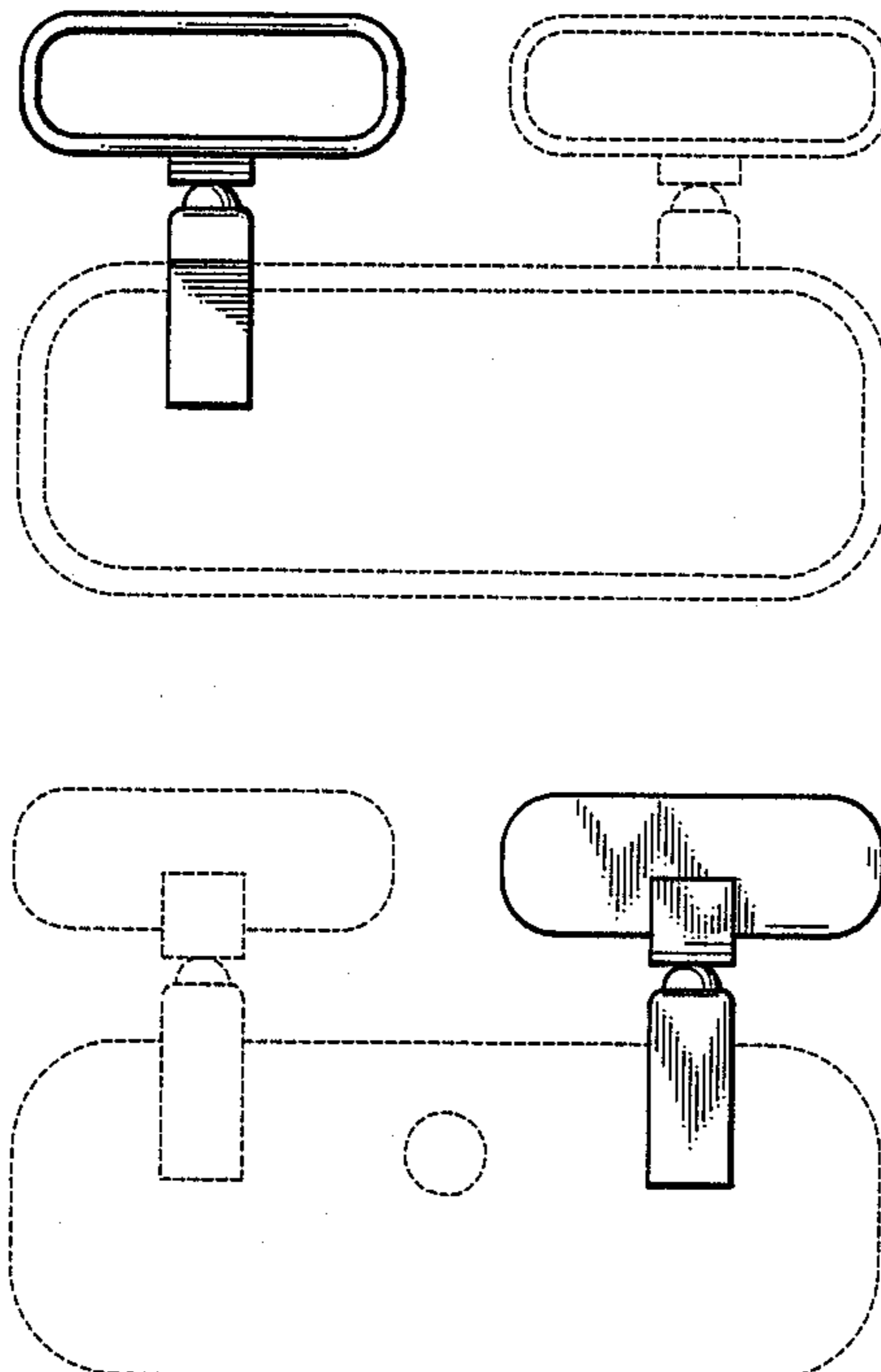
Primary Examiner—James M. Gandy
Attorney, Agent, or Firm—Jerry T. Kearns

[57] CLAIM

The ornamental design for a blind spot rear view mirror, as shown and described.

DESCRIPTION

FIG. 1 is a front elevational view of a blind spot rear view mirror showing our new design; FIG. 2 is a rear elevational view thereof; FIG. 3 is a left side elevational view thereof; FIG. 4 is a right side elevational view thereof; FIG. 5 is a top plan view thereof; and, FIG. 6 is a bottom plan view thereof. The broken line showing of the mirrors is for illustrative purposes only and forms no part of the claimed design.



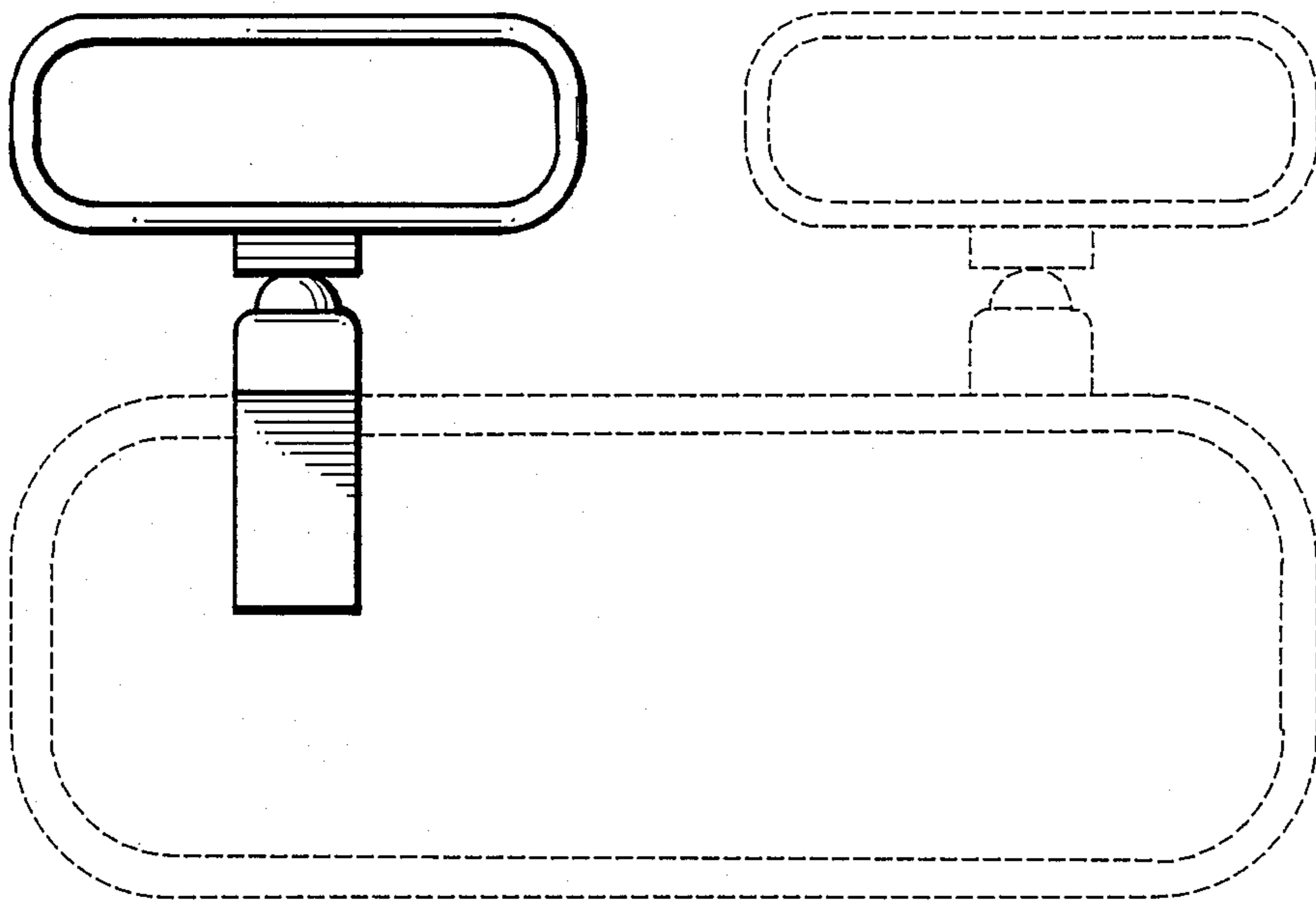


Fig. 1

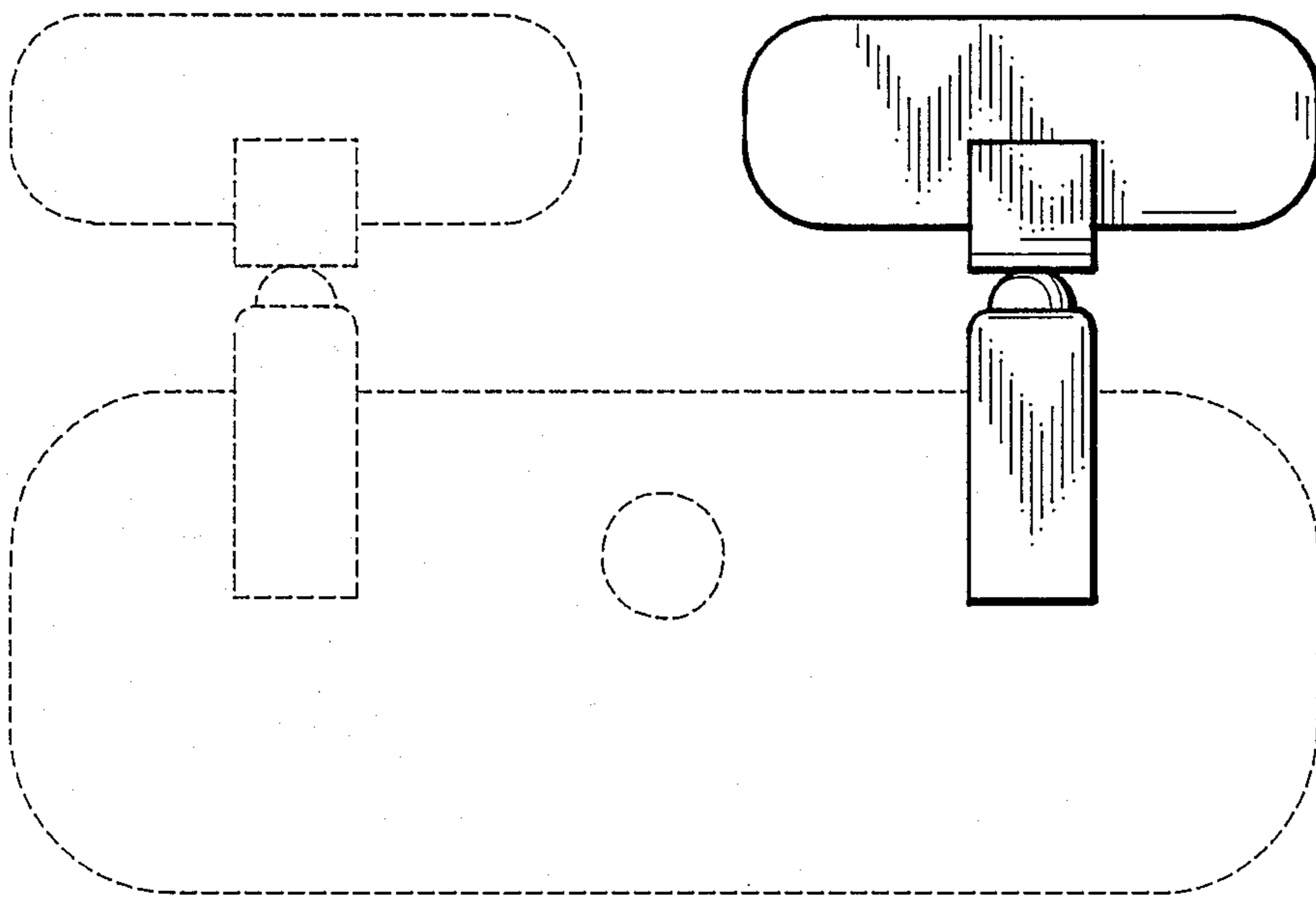


Fig. 2

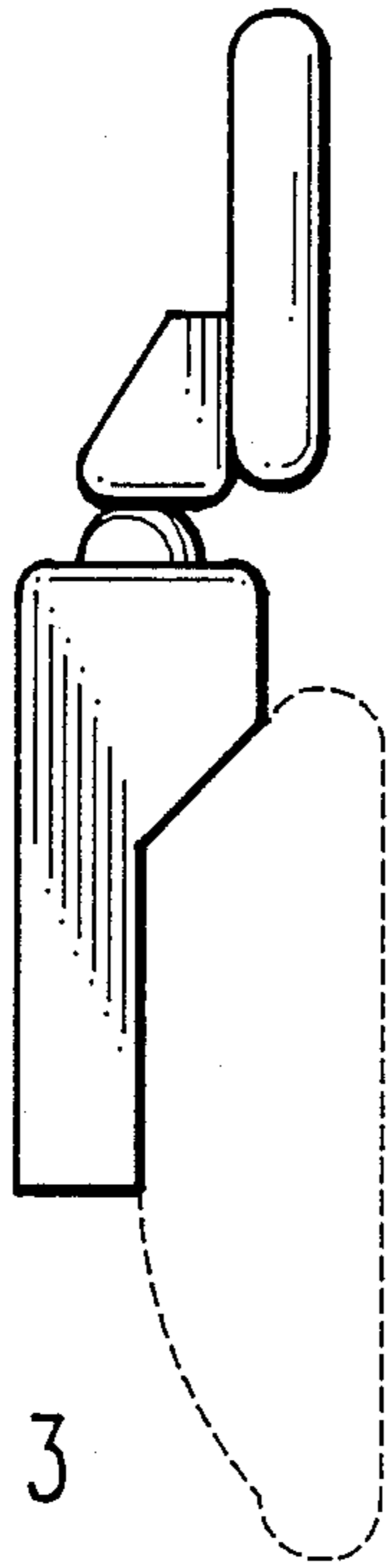


Fig. 3

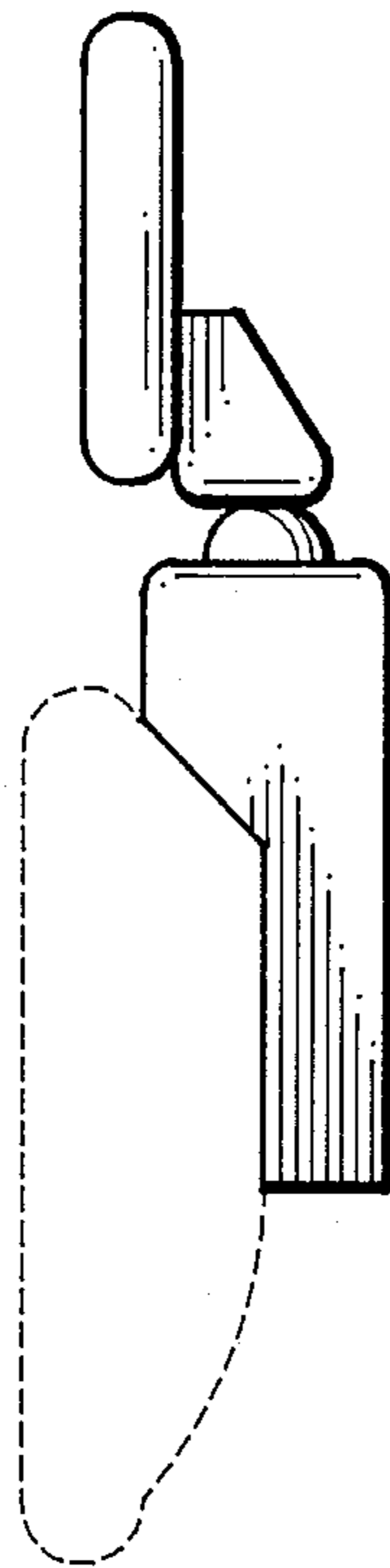


Fig. 4

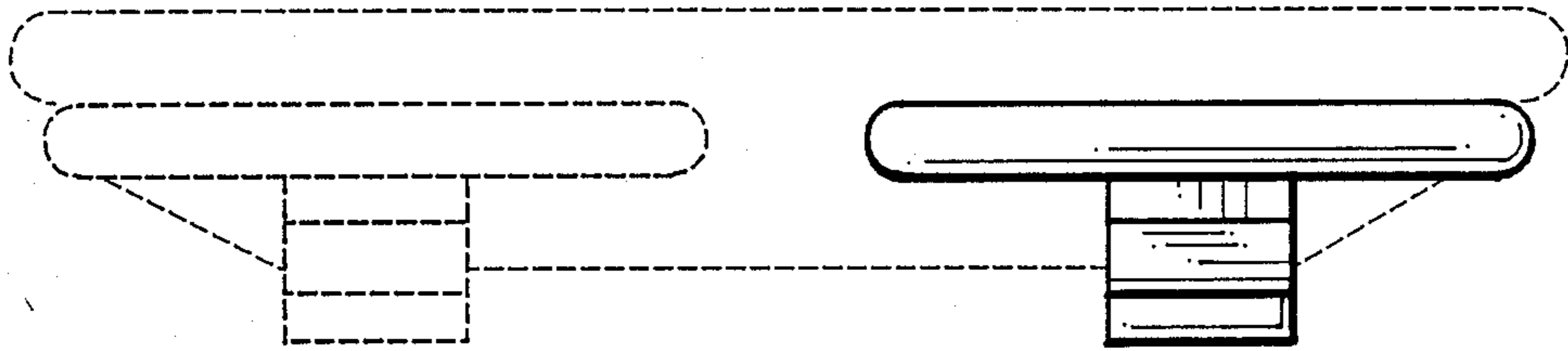


Fig. 5



Fig. 6