

[54] INVALID-CARRYING BEACH CHAIR

4,695,072 9/1987 Brooks 280/47.25

[76] Inventor: Jack C. Turlington, Jr., 2812 Overton Rd., Richmond, Va. 23228

Primary Examiner—Wallace R. Burke
Assistant Examiner—Kay H. Chin
Attorney, Agent, or Firm—Norman B. Rainer

[**] Term: 14 Years

[57] CLAIM

[21] Appl. No.: 841,362

The ornamental design for an invalid-carrying beach chair, substantially as shown and described.

[22] Filed: Mar. 3, 1986

[52] U.S. Cl. D12/128; D34/24

[58] Field of Search D34/12, 24, 26; 280/47.25; 296/20; D12/128, 132

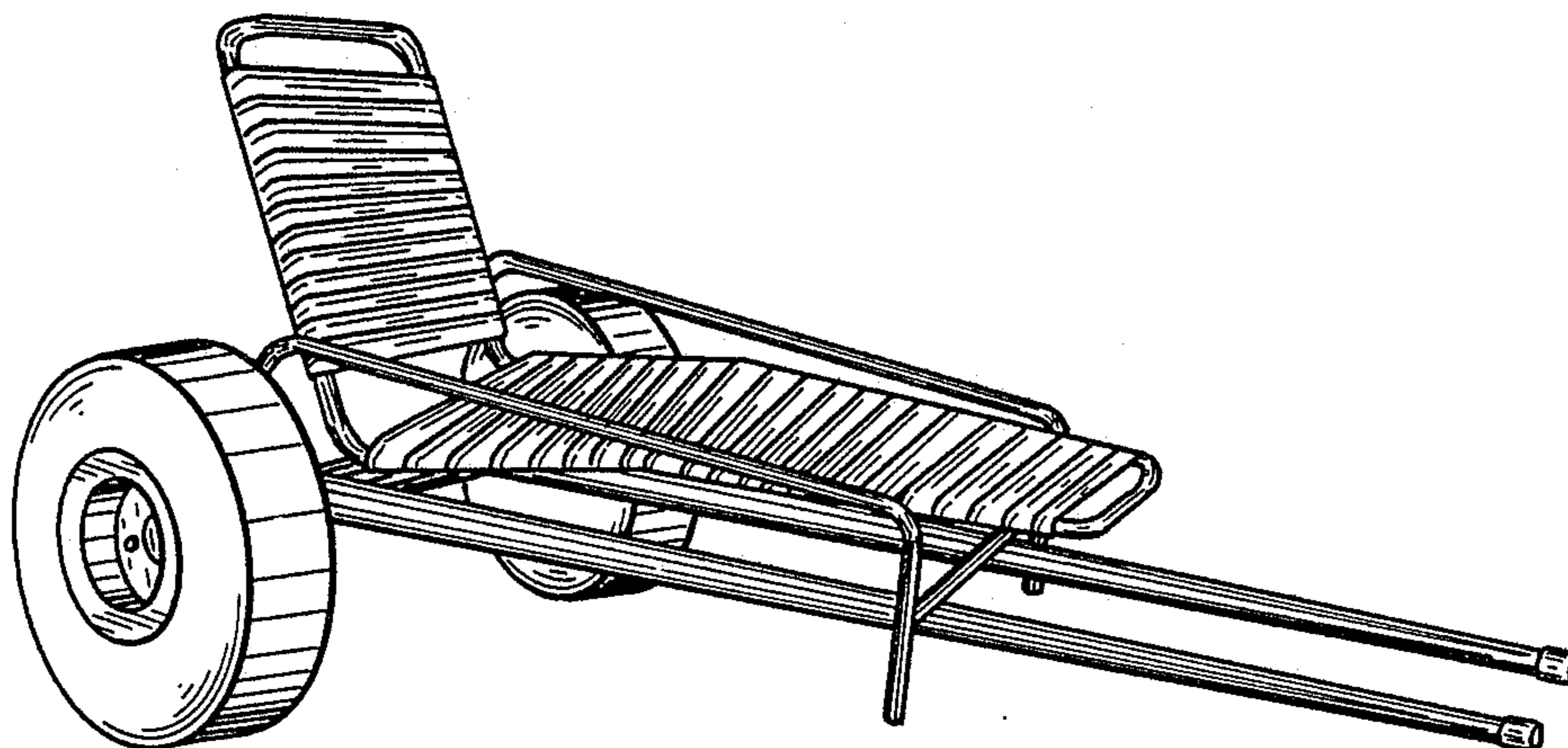
DESCRIPTION

[56] References Cited

U.S. PATENT DOCUMENTS

- 4,667,973 5/1987 Bowers D34/24
- 4,671,522 6/1987 Fragione, Jr. D34/24
- 4,679,807 7/1987 Raybon 280/47.25

FIG. 1 is a perspective view of an invalid-carrying beach chair showing my new design;
 FIG. 2 is a side elevational view thereof, the opposite side elevational view being a mirror image of that shown;
 FIG. 3 is a top plan view thereof;
 FIG. 4 is a front elevational view thereof; and
 FIG. 5 is a rear elevational view thereof.



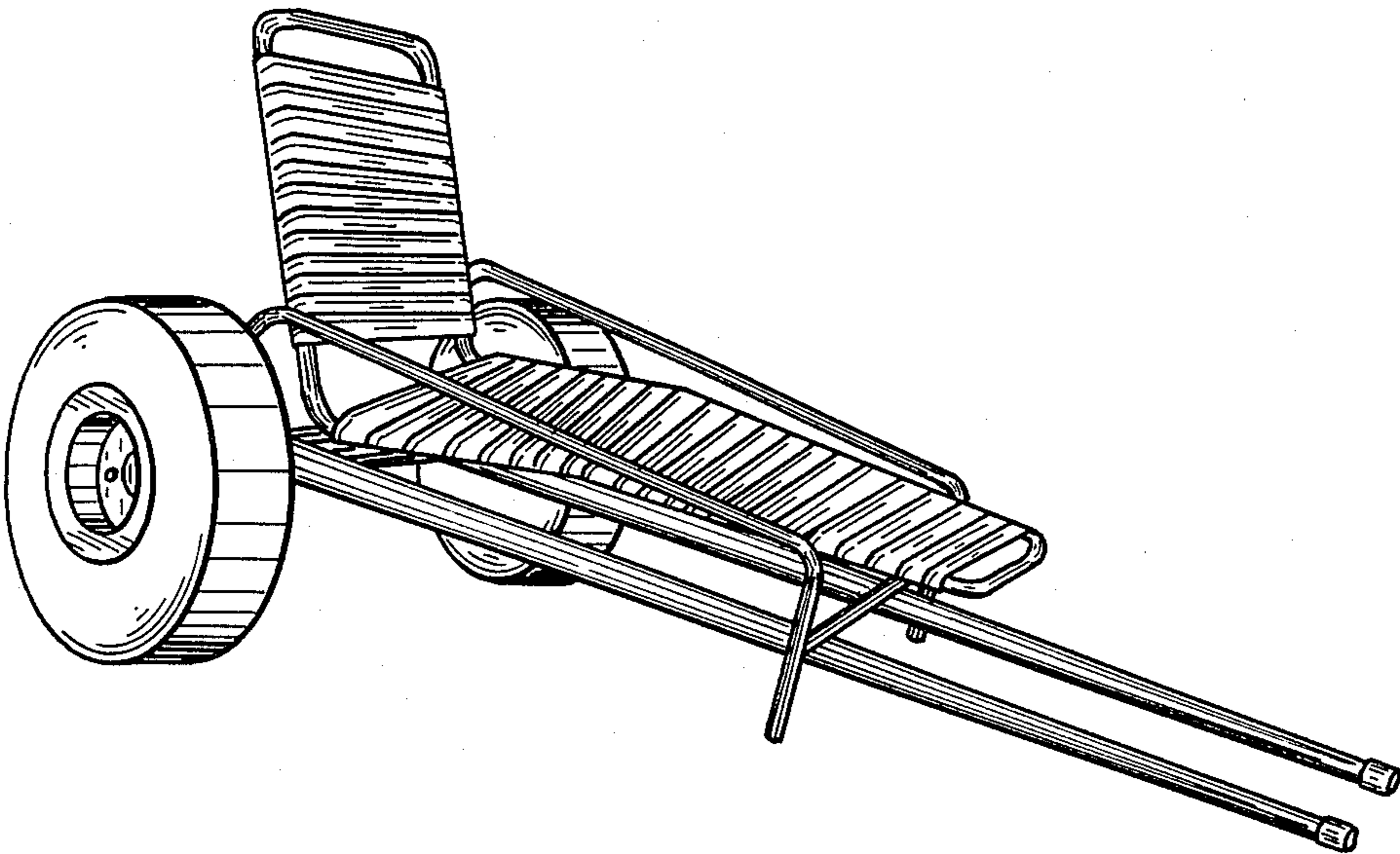


FIG. 1

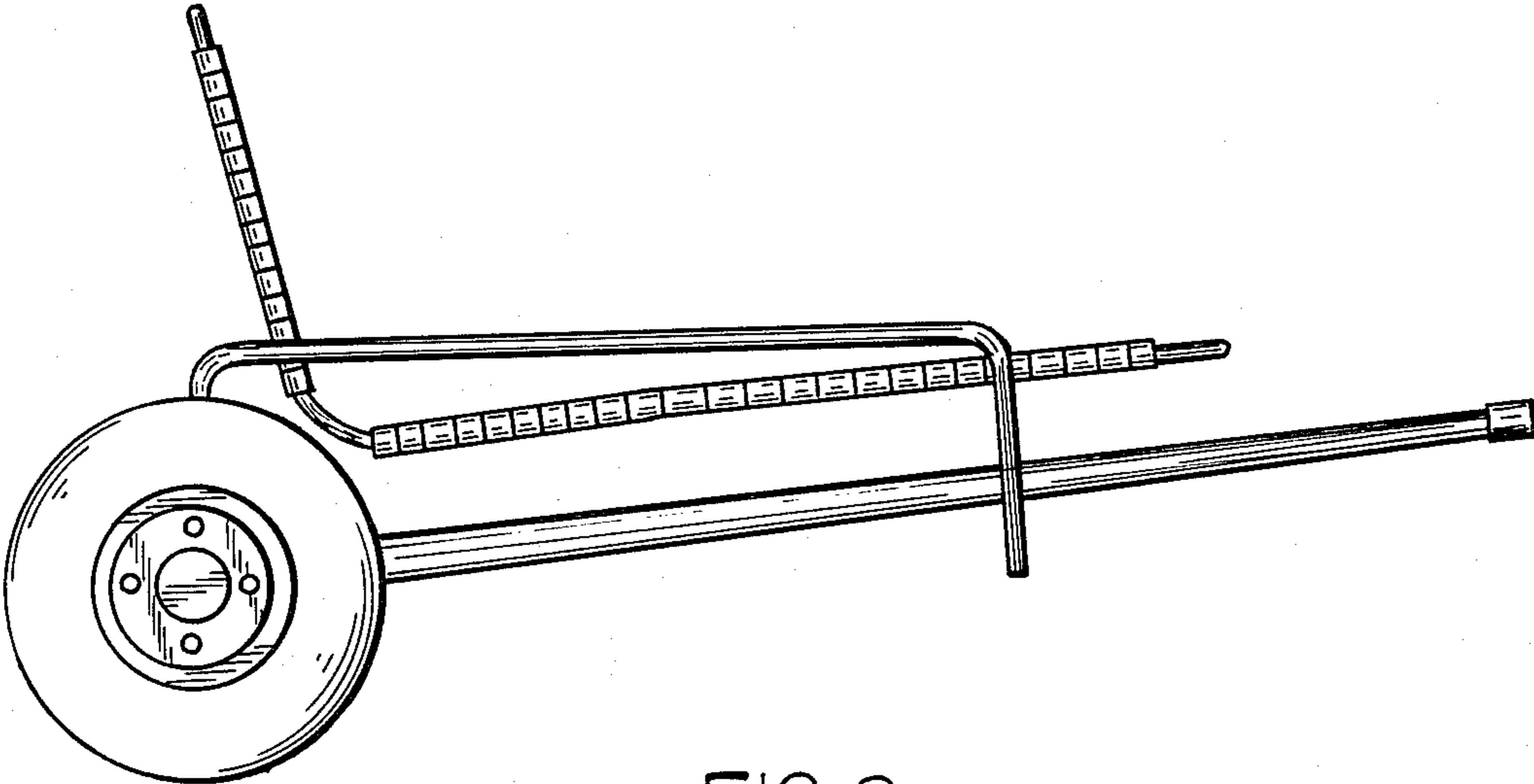


FIG. 2

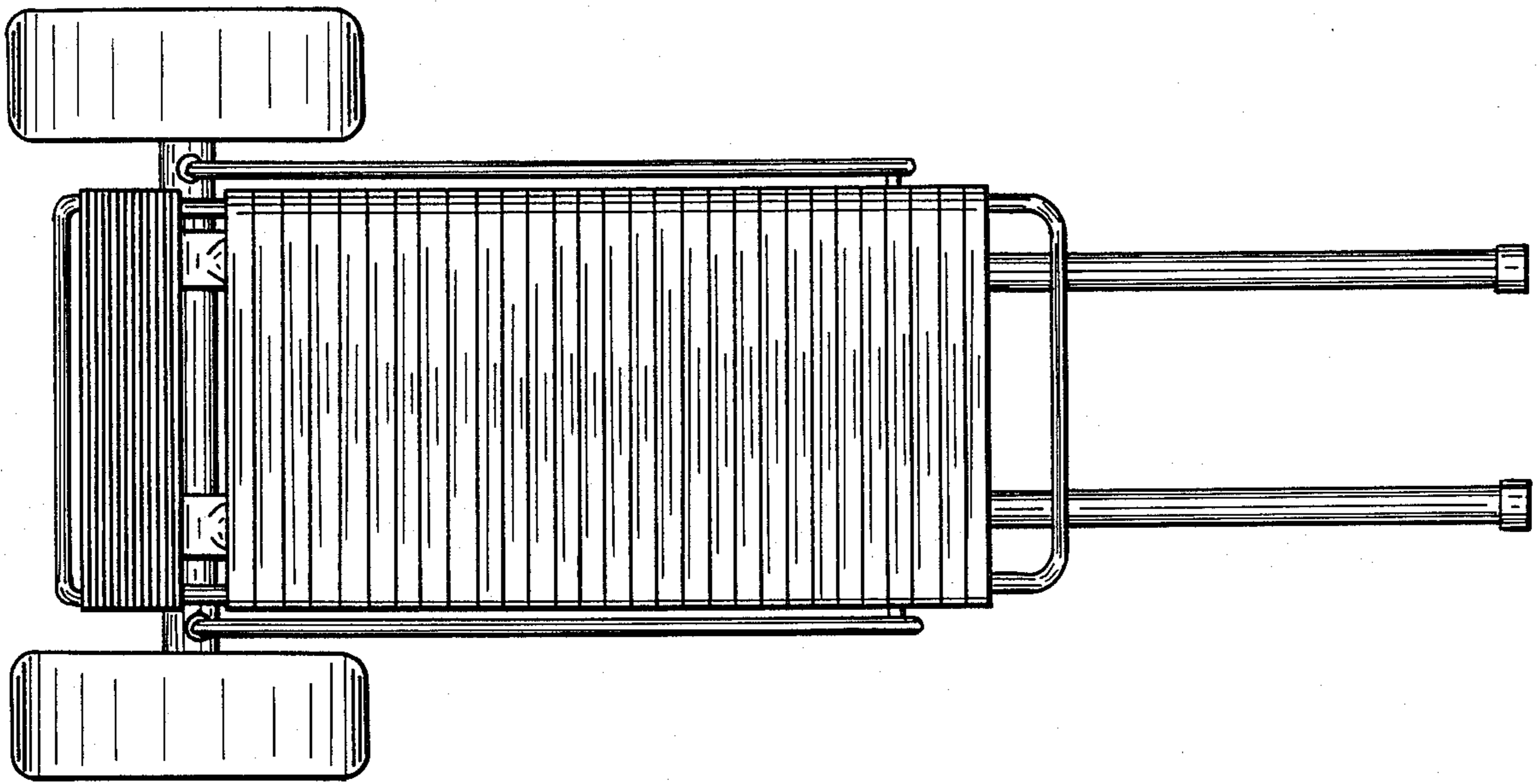


FIG. 3

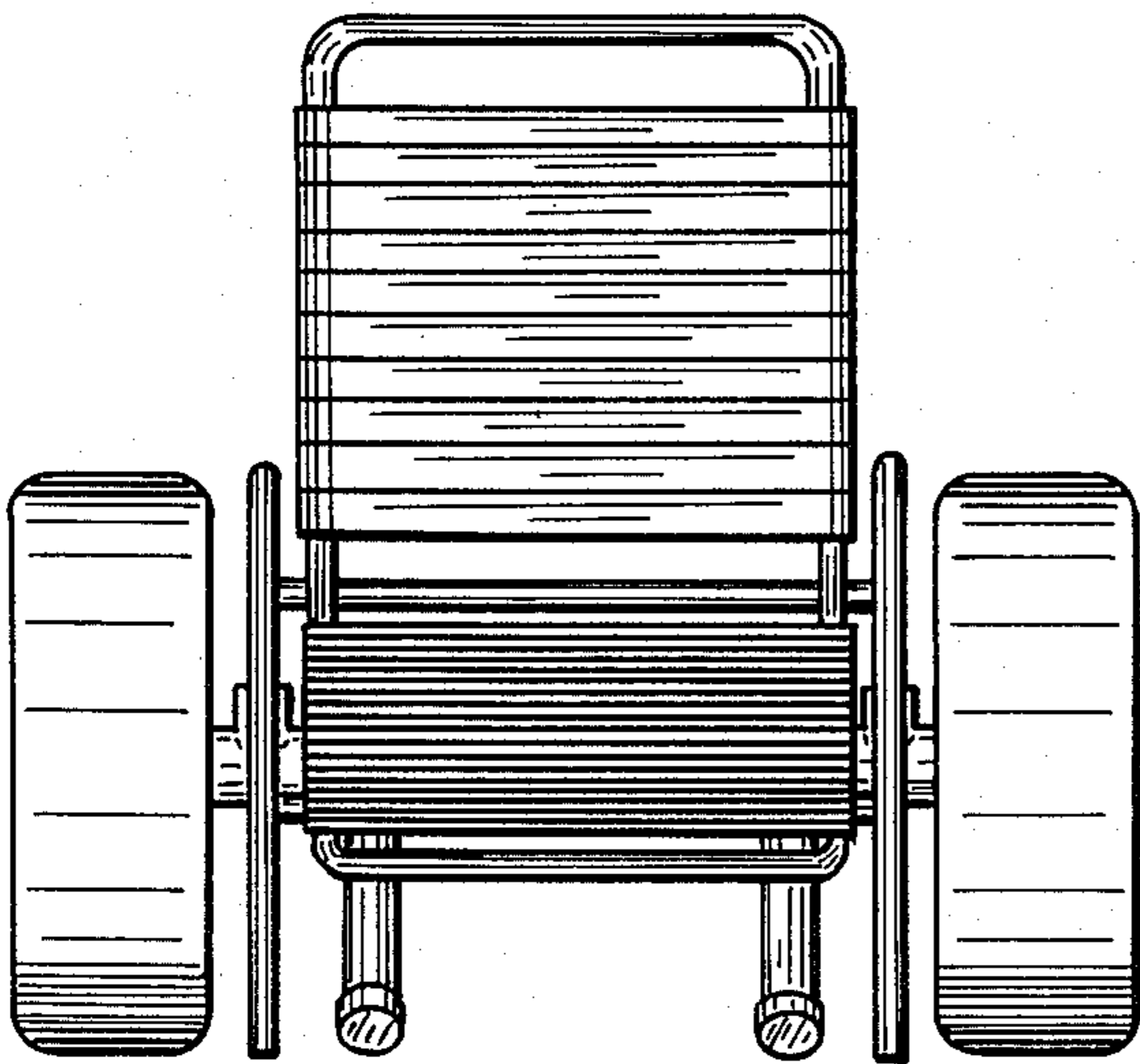


FIG. 4

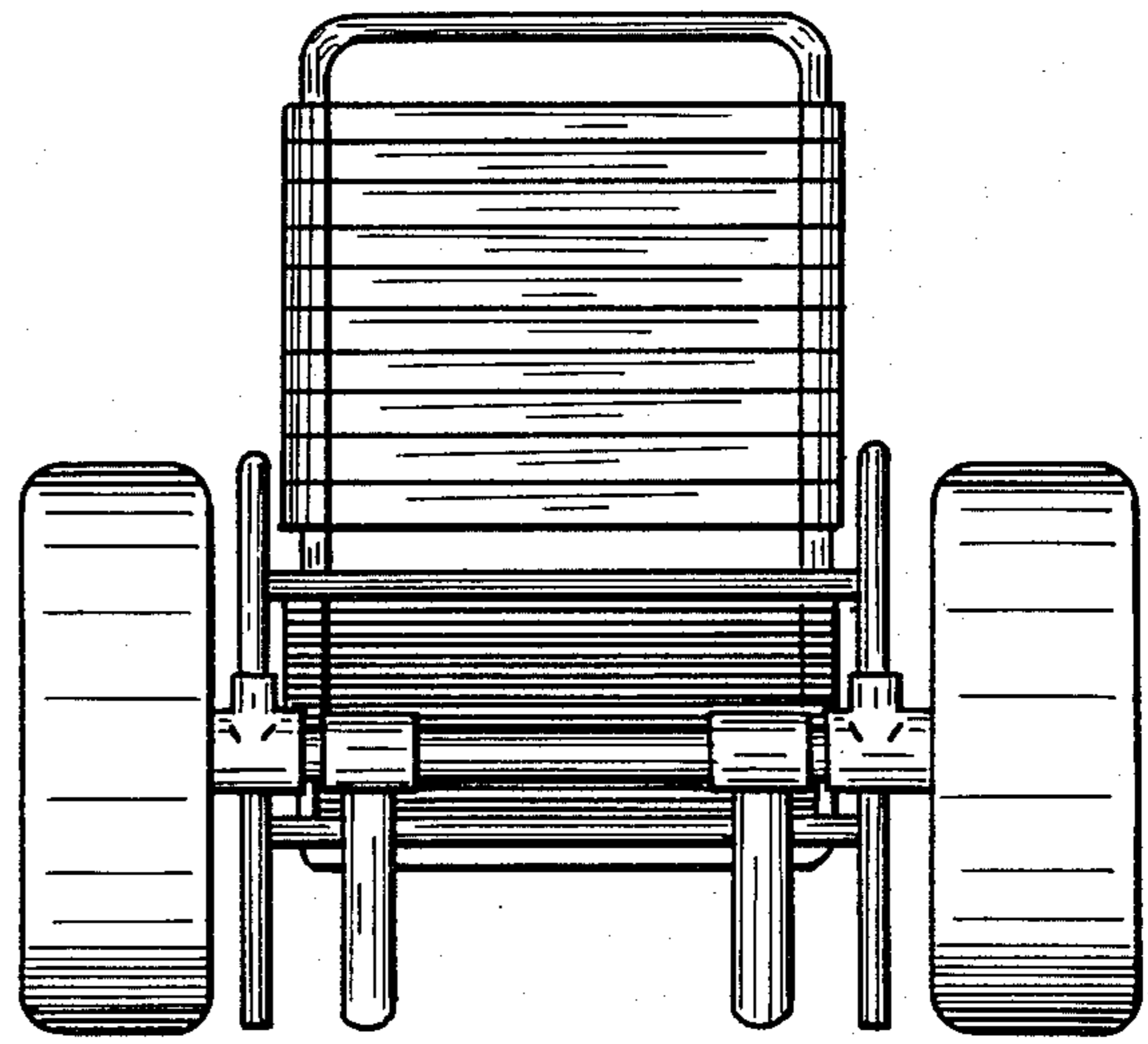


FIG. 5