

[54] LOCKET OR SIMILAR ARTICLE

[76] Inventor: Morris B. Saxon, 12580 Gwendolyn Farms, Chardon, Ohio 44024

[**] Term: 14 Years

[21] Appl. No.: 847,011

[22] Filed: Mar. 27, 1986

[52] U.S. Cl. D11/80; D11/81

[58] Field of Search D11/2, 40-48, D11/61, 75, 79-81, 85, 116; 63/1.1, 2, 23, 18-21

[56] References Cited

U.S. PATENT DOCUMENTS

- D. 62,875 8/1923 Benson D11/116 X
- D. 139,767 12/1944 Davidson D11/43
- D. 247,881 5/1978 Hitchens D11/41

Primary Examiner—Louis S. Zarfes
Attorney, Agent, or Firm—Ralph E. Jocke

[57] CLAIM

The ornamental design for a locket or similar article, as shown and described.

DESCRIPTION

FIG. 1 is a front elevational view of a locket or similar article showing my new design in closed condition.

FIG. 2 is a rear elevational view thereof.

FIG. 3 is a rear elevational view of the locket in open condition.

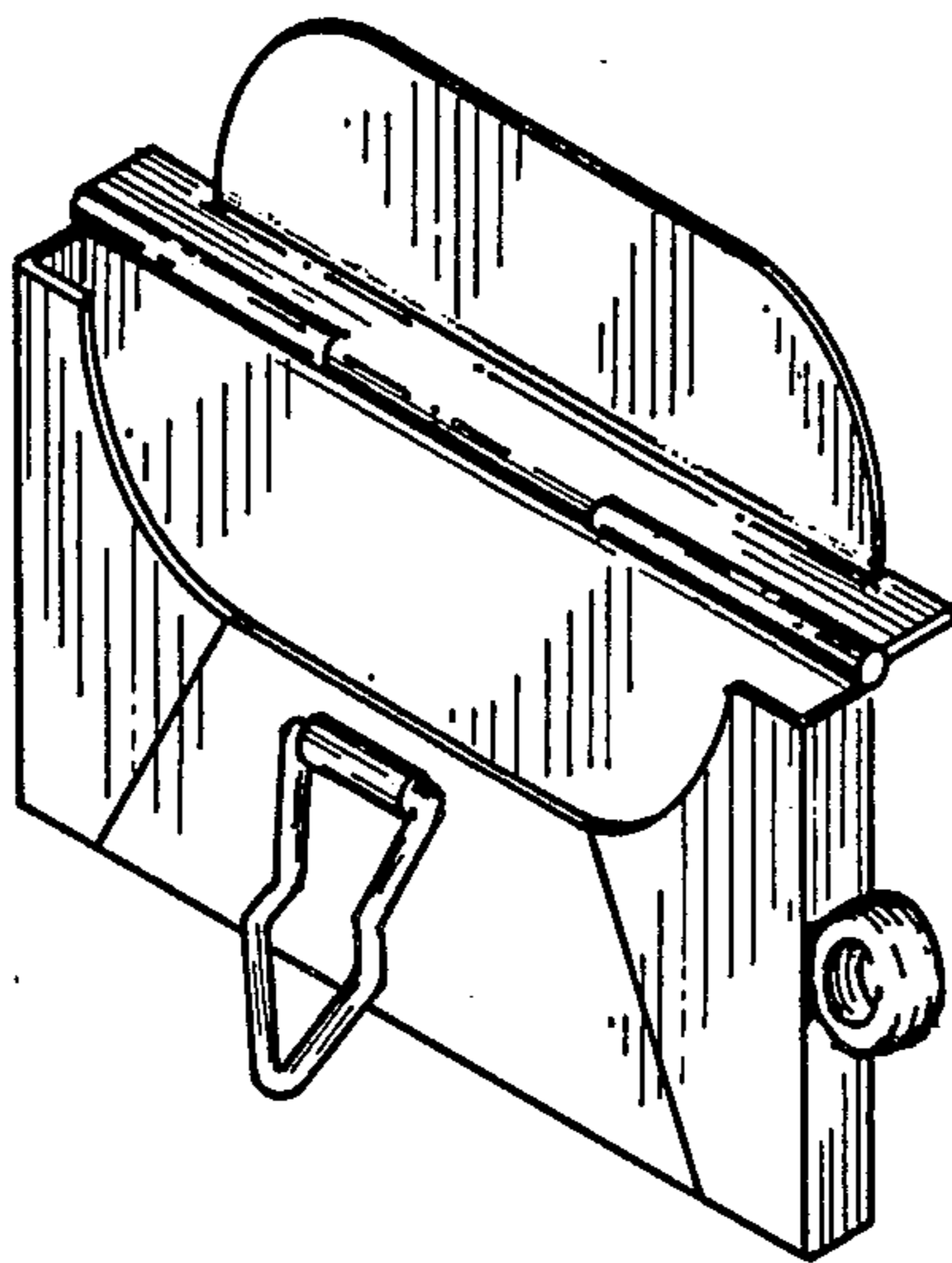
FIG. 4 is a top plan view of the locket in the closed condition.

FIG. 5 is a bottom plan view thereof.

FIG. 6 is a perspective view of the locket in the open condition.

All surfaces of the locket not shown are plain and unornamented.

The broken line showing of locket contents in FIG. 3 is for illustrative purposes only and forms no part of the claimed design.



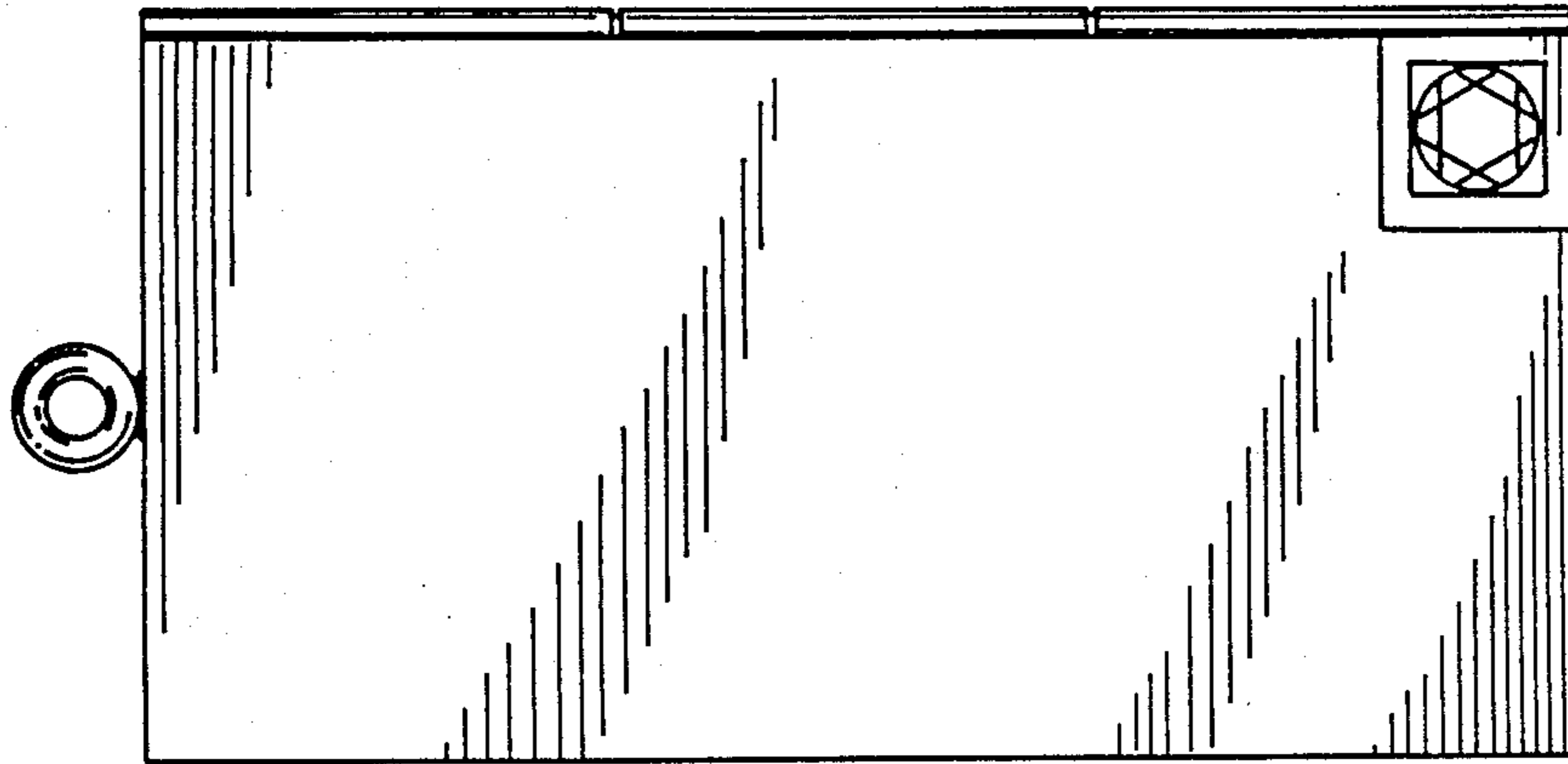


FIG. 1

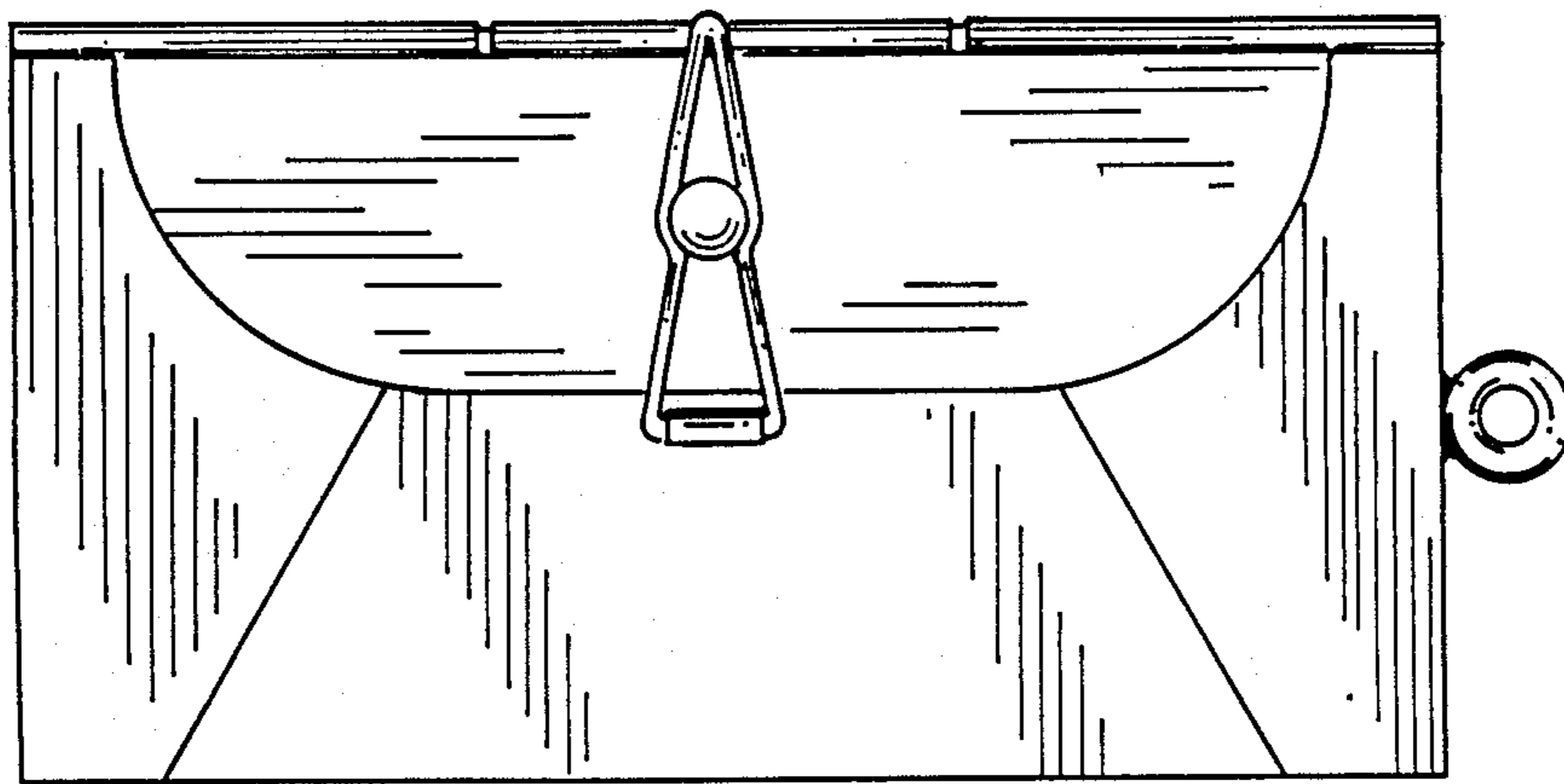


FIG. 2

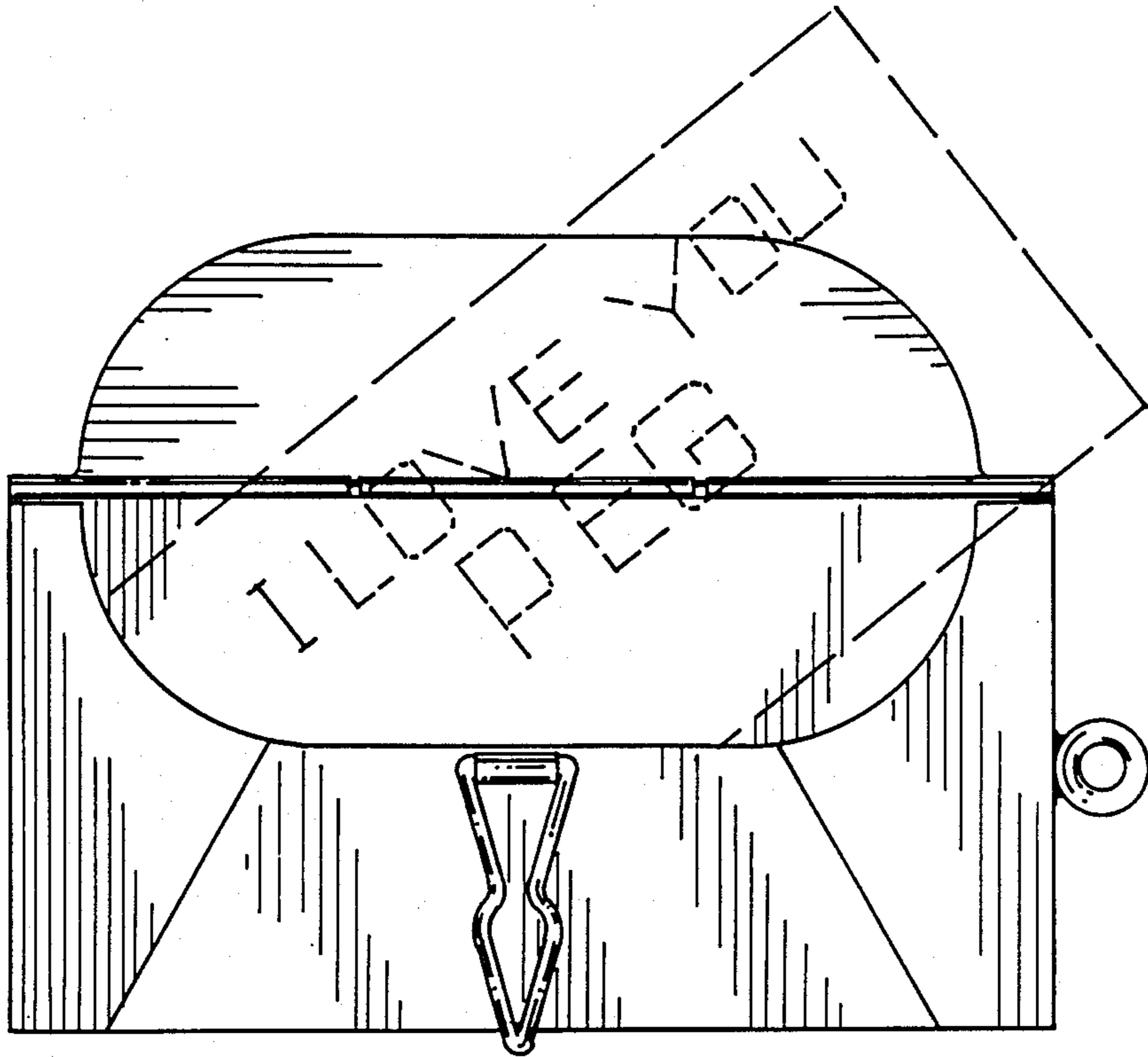


FIG. 3

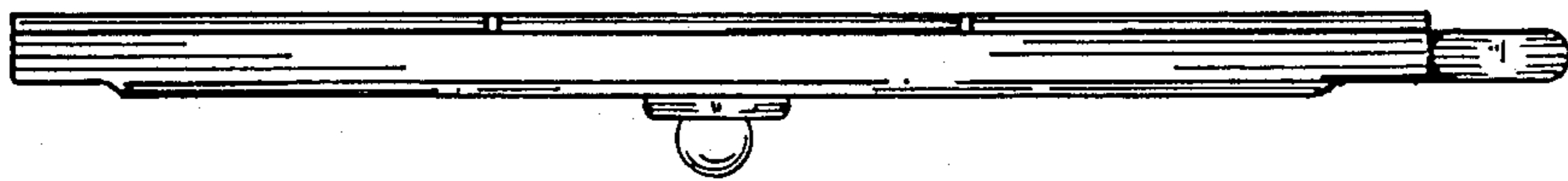


FIG. 4



FIG. 5

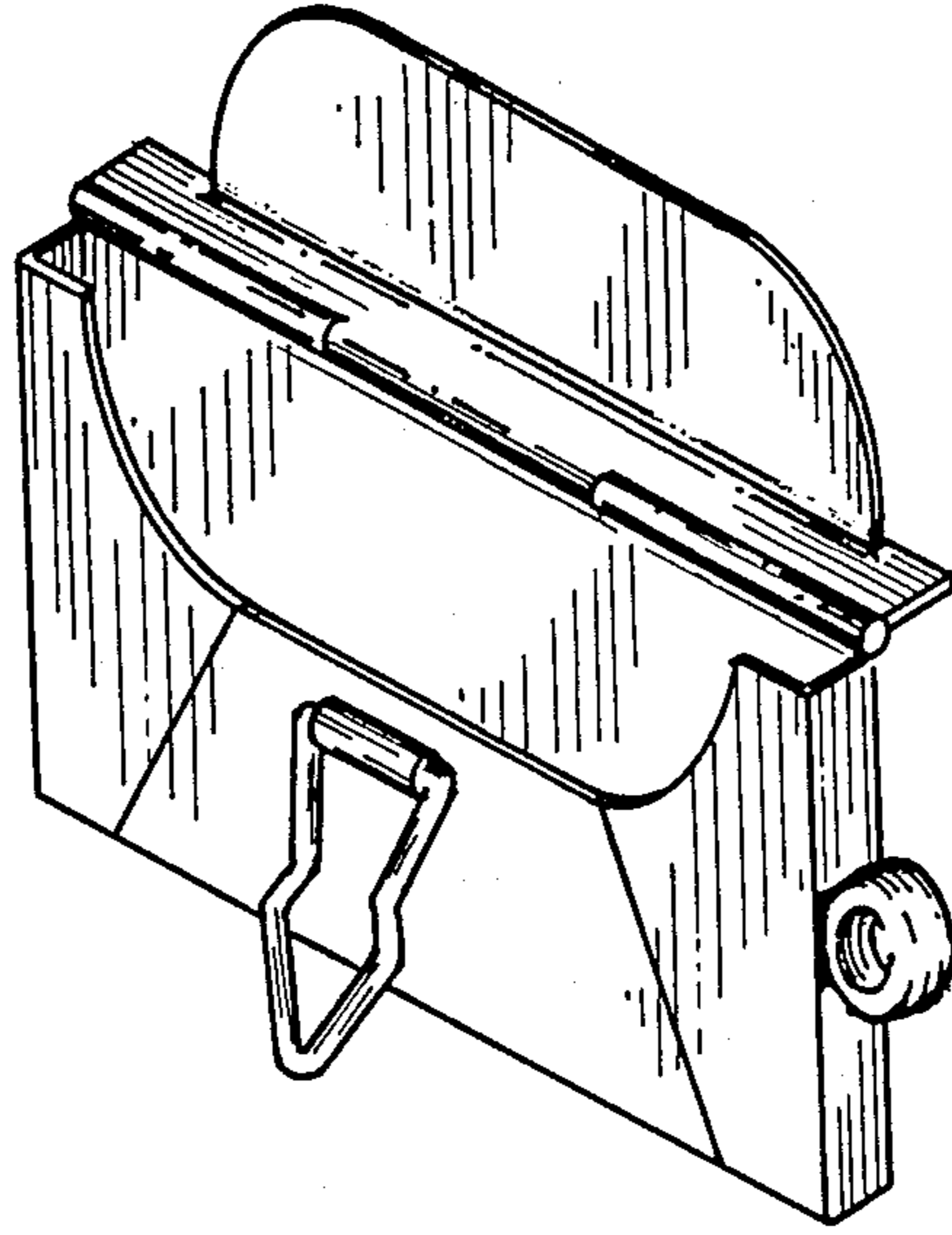


FIG. 6