

[54] HOLDER FOR FLAGS OR THE LIKE

1,894,686 1/1933 Heyman 63/20
2,361,772 10/1944 Kaplan 24/5
2,721,410 10/1955 Davis 24/5

[76] Inventor: Nancy R. Danniger, 406 S. Alandele,
Los Angeles, Calif. 90036

Primary Examiner—B. J. Bullock
Assistant Examiner—Dominic Simone
Attorney, Agent, or Firm—Michael A. Painter

[**] Term: 14 Years

[21] Appl. No.: 863,392

[57] CLAIM

[22] Filed: May 14, 1986

The ornamental design for an holder for flags or the like, as shown and described.

[52] U.S. Cl. D11/40; D11/183

[58] Field of Search D11/200, 222, 226, 40,
D11/41, 181, 182, 183; 63/2, 4, 20; 24/3, 5, 13;
D8/396

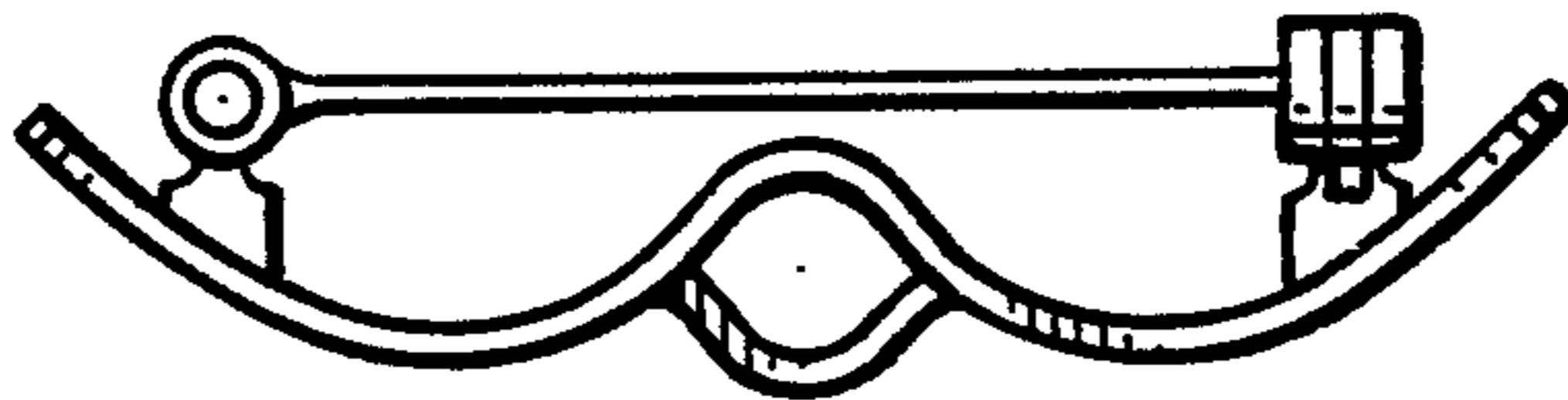
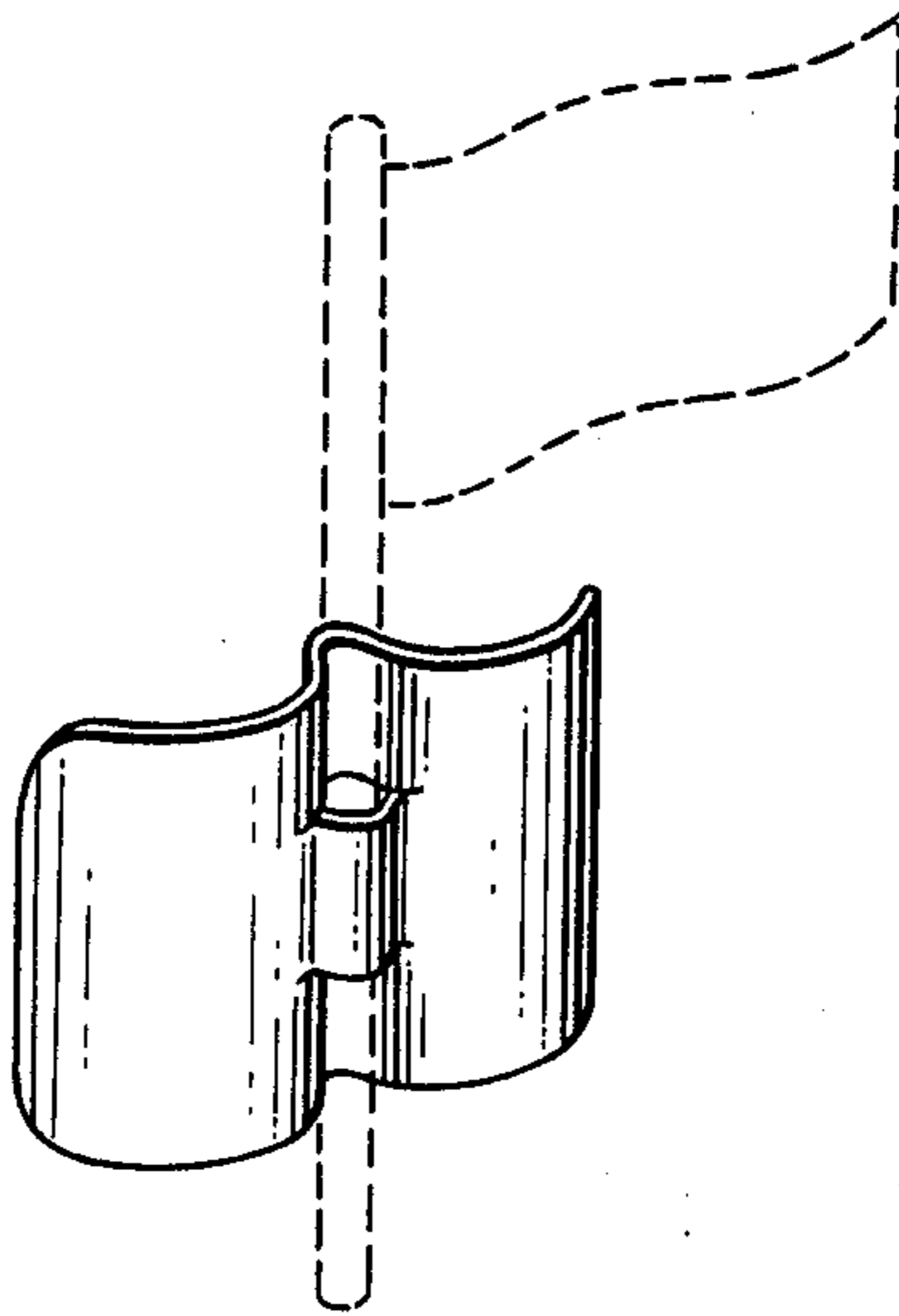
DESCRIPTION

[56] References Cited

U.S. PATENT DOCUMENTS

D. 28,422	3/1898	Cary	D8/396
D. 187,495	3/1960	Atman	D8/396
D. 244,765	4/1977	Grenon	D11/40
D. 271,006	10/1983	Bernatek, Sr.	D11/182
D. 277,466	2/1985	Chien	D11/41

FIG. 1 is a front left perspective view of a holder for flags or the like showing my new design, the flags shown in broken lines for illustrative purposes only; FIG. 2 is a front elevational view thereof; FIG. 3 is a right side elevational view thereof; FIG. 4 is a left side elevational view thereof; FIG. 5 is a rear elevational view thereof. FIG. 6 is a top plan view thereof; and FIG. 7 is a bottom plan view thereof.



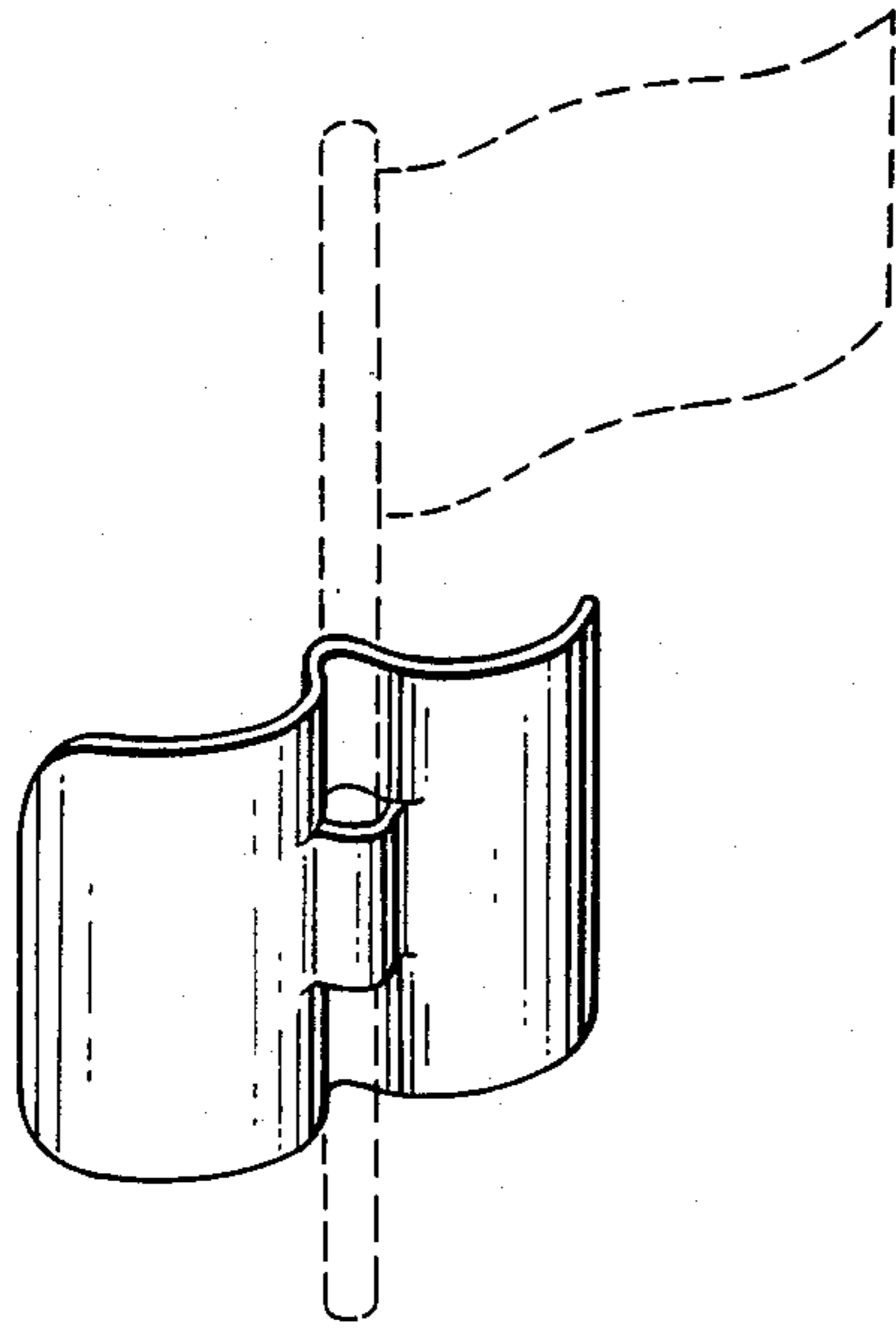


Fig. 1

Fig. 2

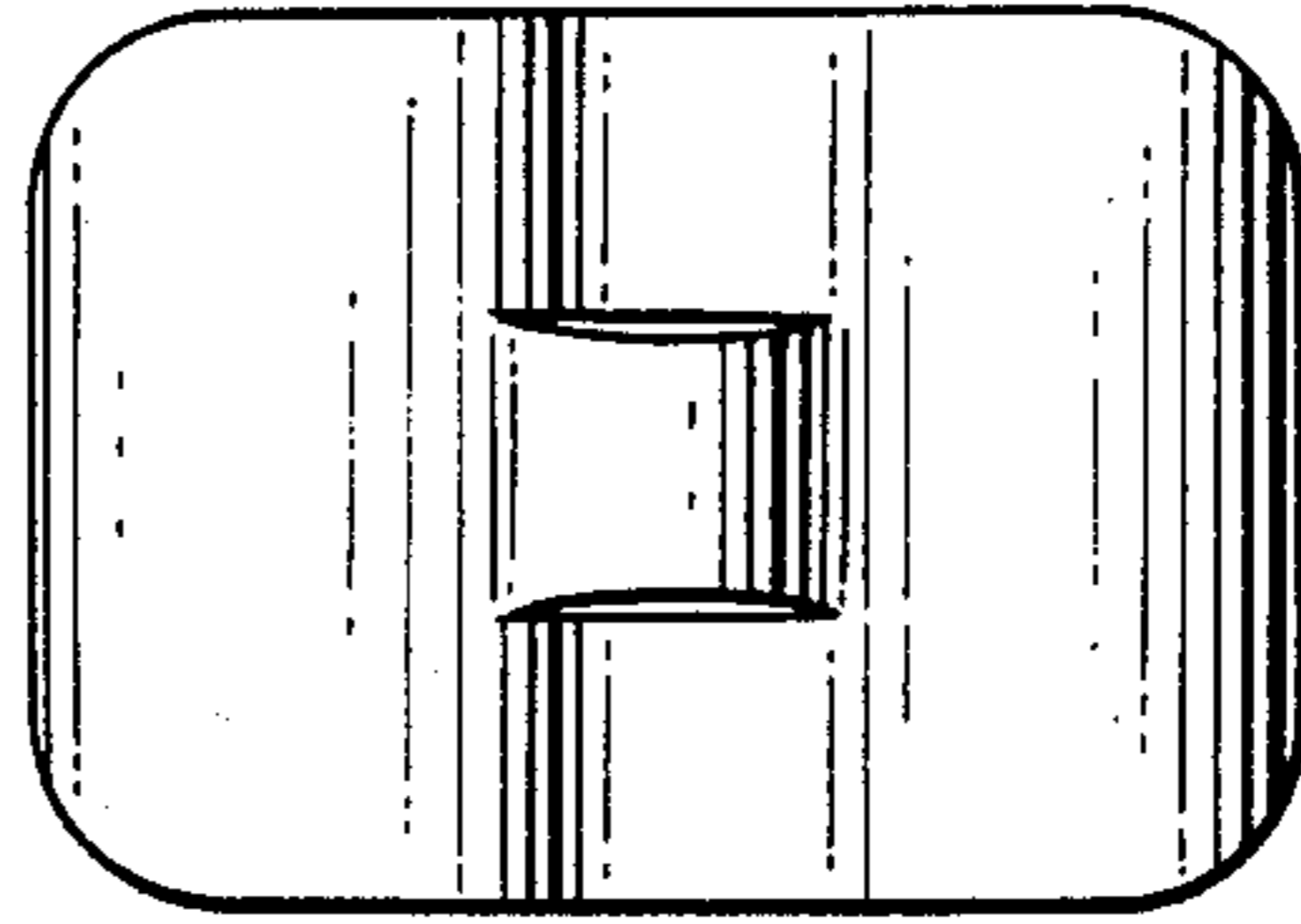


Fig. 3



Fig. 4

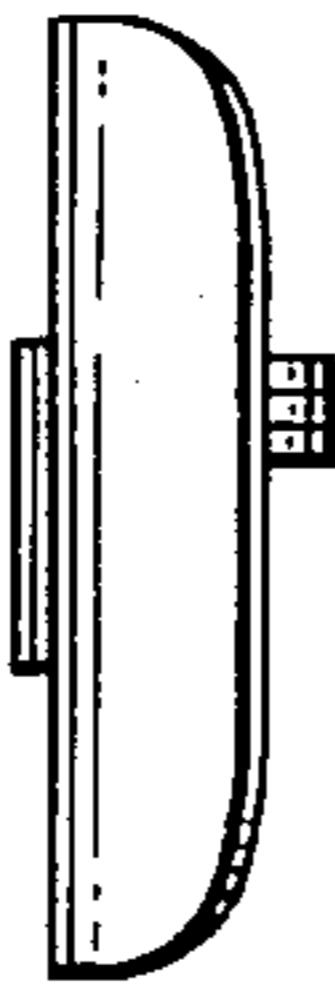


Fig. 5

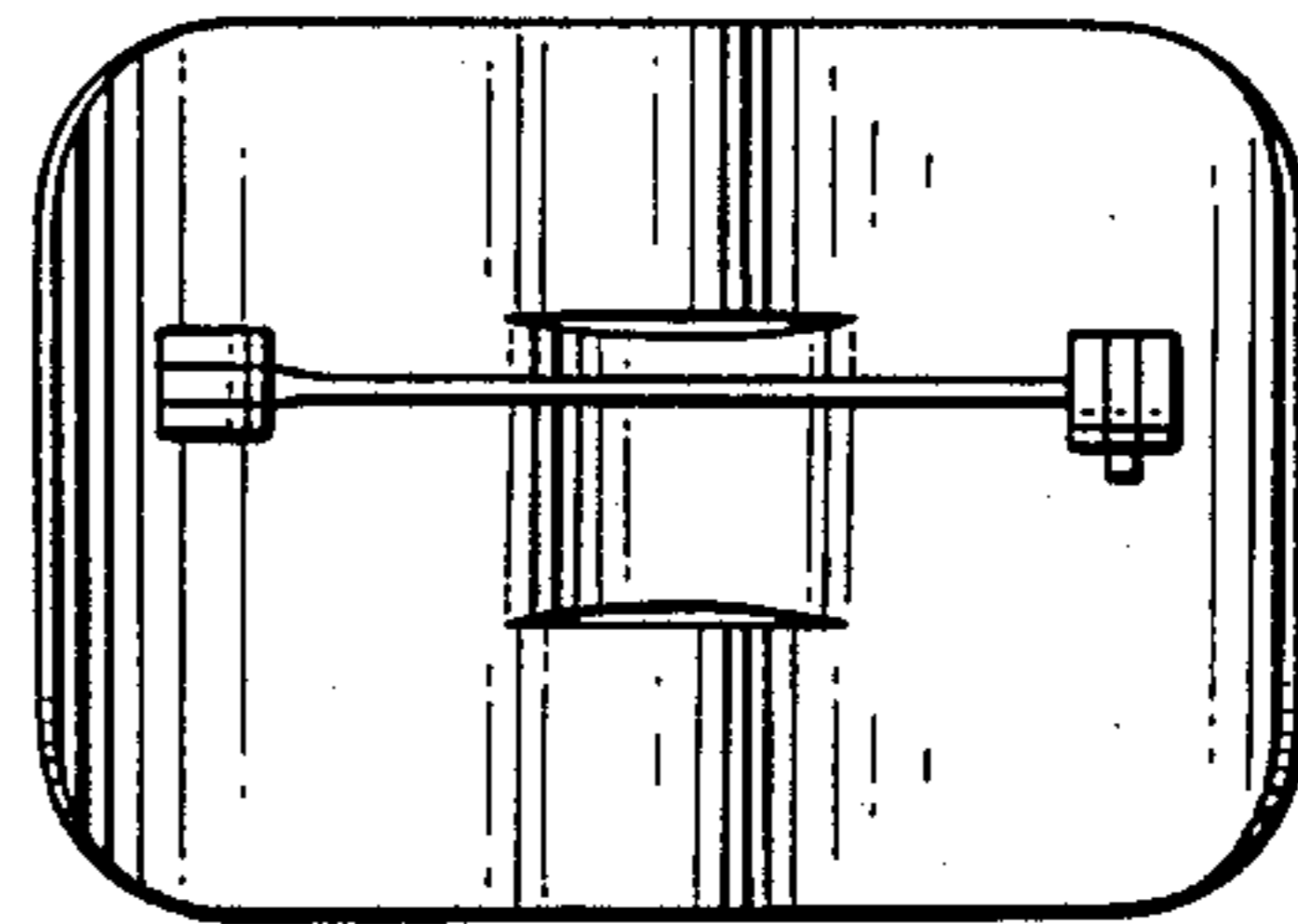


Fig. 6



Fig. 7

