

[54] **LOCK STATUS INDICATOR**  
[76] **Inventor: William DeForrest, 1825 Via Burton, Anaheim, Calif. 92805**  
[\*\*] **Term: 14 Years**  
[21] **Appl. No.: 841,339**  
[22] **Filed: Mar. 3, 1986**  
[52] **U.S. Cl. .... D10/109; D20/18**  
[58] **Field of Search ..... D20/10, 22, 27, 18, D20/19, 20, 43, 28; 40/10 R, 15 R, 901, 459, 460; D10/109; 116/281, 200, 321, 323; 70/432**

2,169,743 8/1939 Schlage ..... 116/200 X  
4,490,999 1/1985 Castle et al. .... 70/432  
4,559,796 12/1985 De Forrest, Sr. .... 70/432

*Primary Examiner*—Susan J. Lucas  
*Assistant Examiner*—Freda S. Nunn  
*Attorney, Agent, or Firm*—Herb Boswell

[56] **References Cited**  
**U.S. PATENT DOCUMENTS**

D. 180,144 4/1957 George ..... D20/18  
D. 195,675 7/1963 Stall ..... D8/372 X  
394,140 12/1888 Spicer ..... 116/200 X  
1,171,287 2/1916 Waschau ..... 40/460  
1,216,899 2/1917 Weyer ..... 40/460

[57] **CLAIM**  
The ornamental design for a lock status indicator, as shown and described.

**DESCRIPTION**

FIG. 1 is a perspective view of my new design for a lock status indicator;  
FIG. 2 is a front elevational view thereof;  
FIG. 3 is a left side elevational view thereof;  
FIG. 4 is a top plan view thereof;  
FIG. 5 is a right side elevational view thereof;  
FIG. 6 is a rear elevational view thereof; and  
FIG. 7 is a bottom plan view thereof.

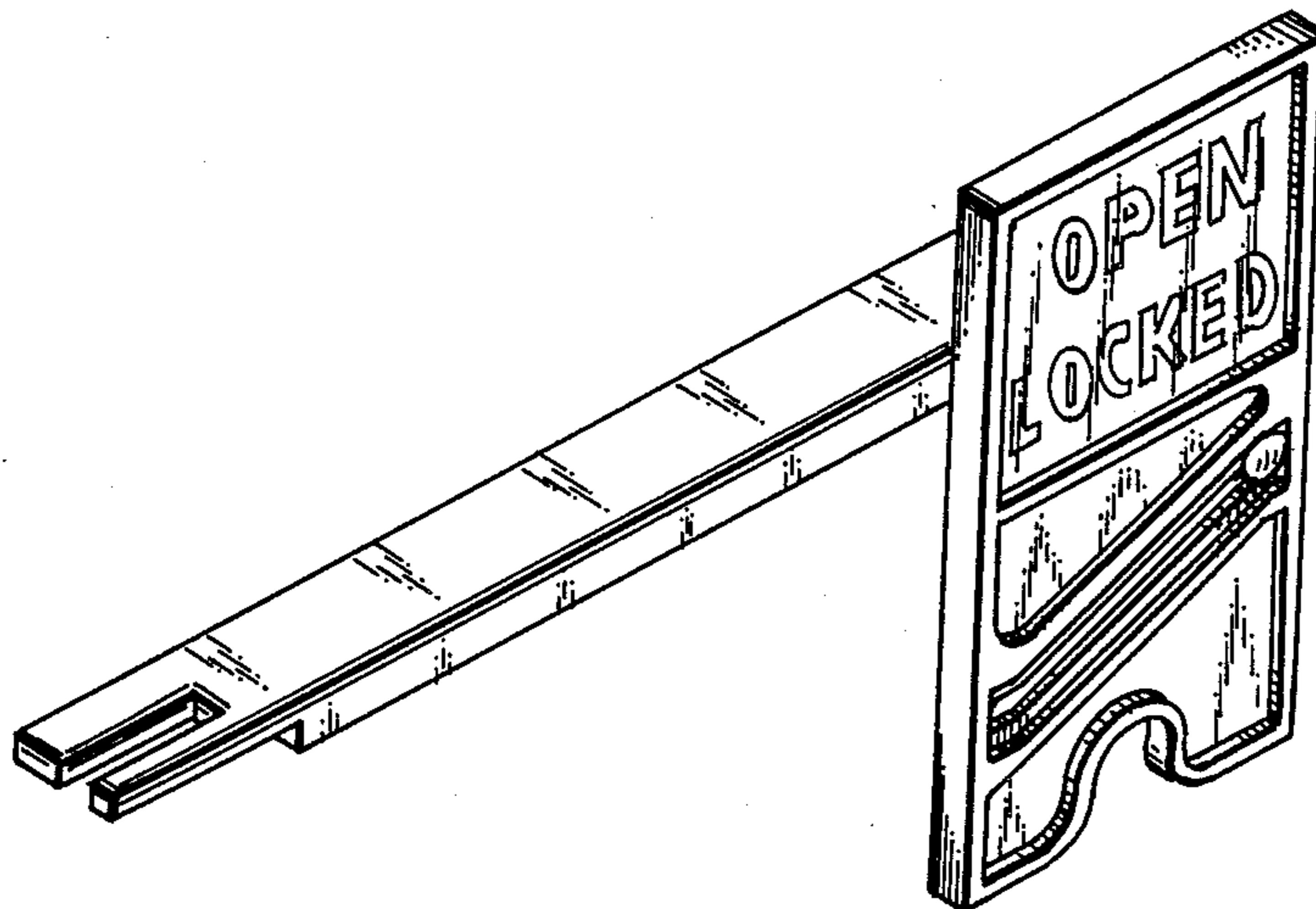


FIG. 1

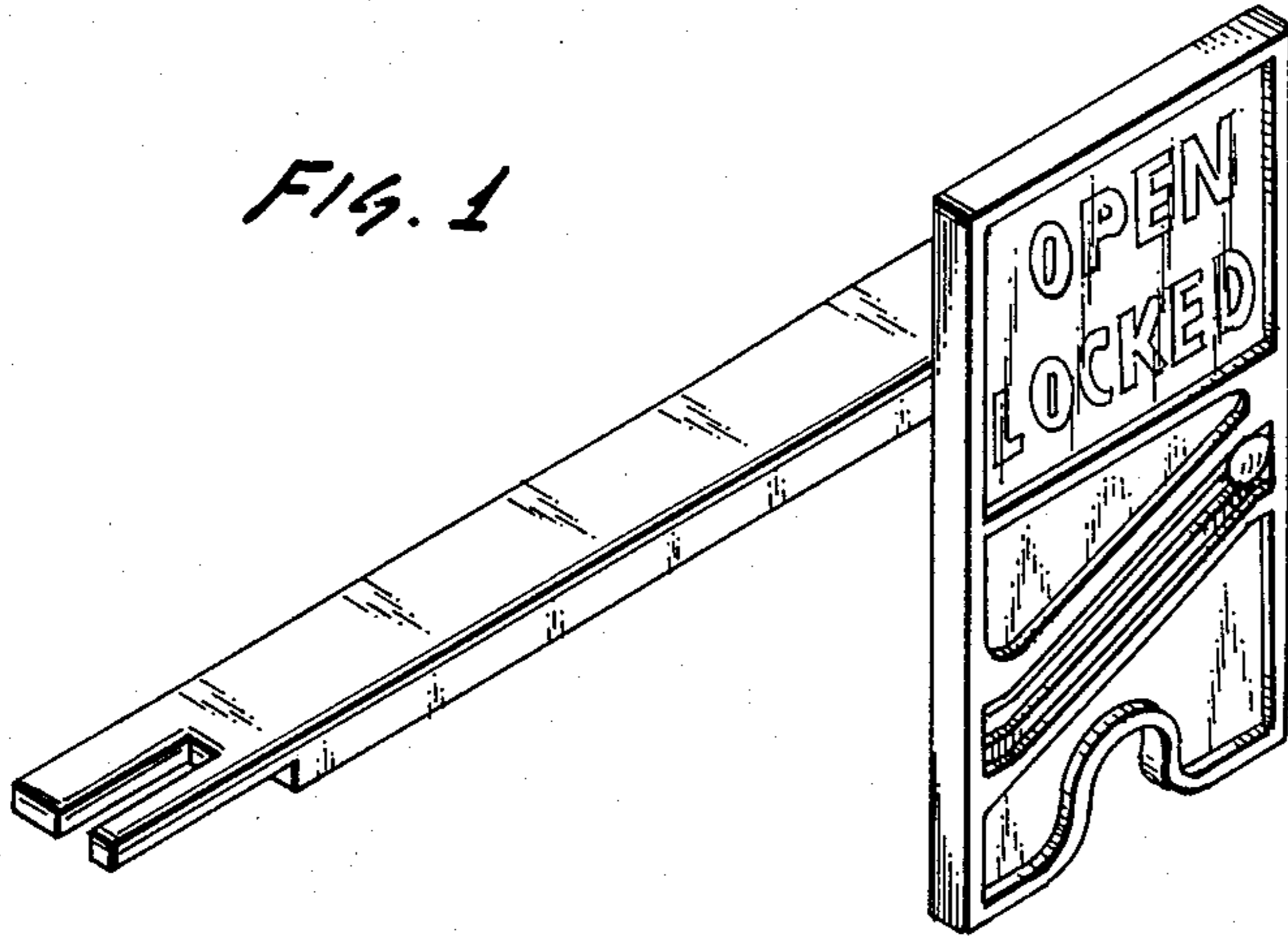


FIG. 2

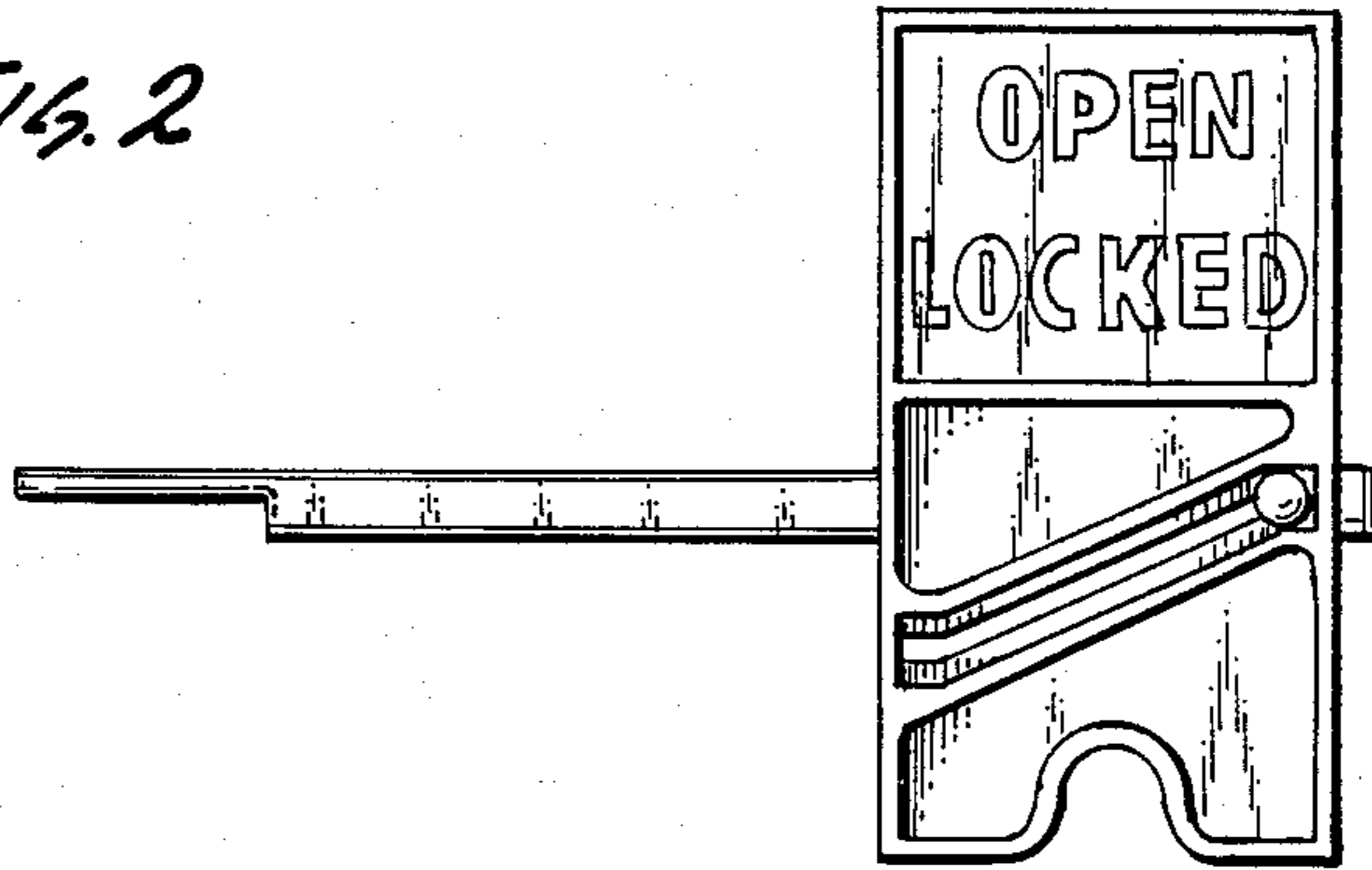
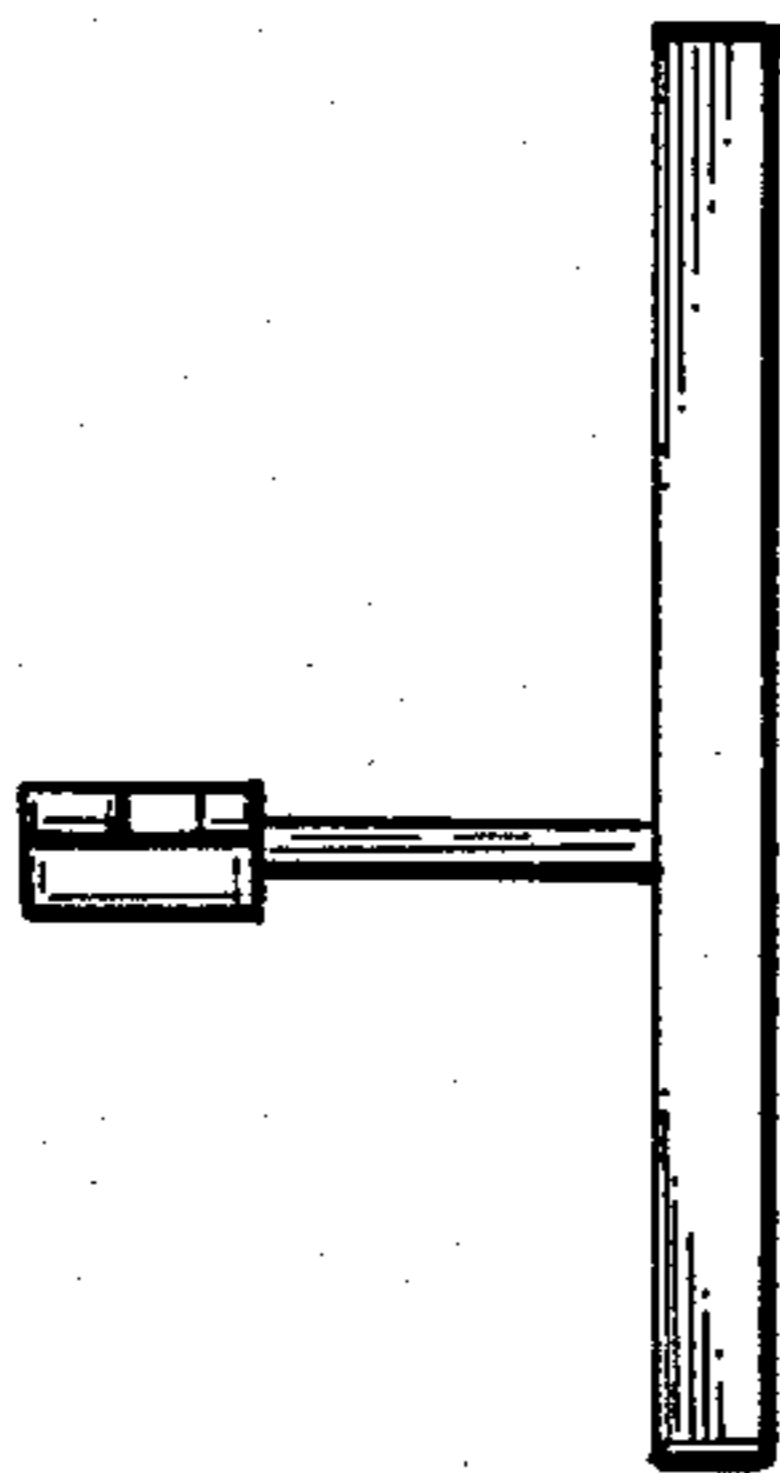


FIG. 3



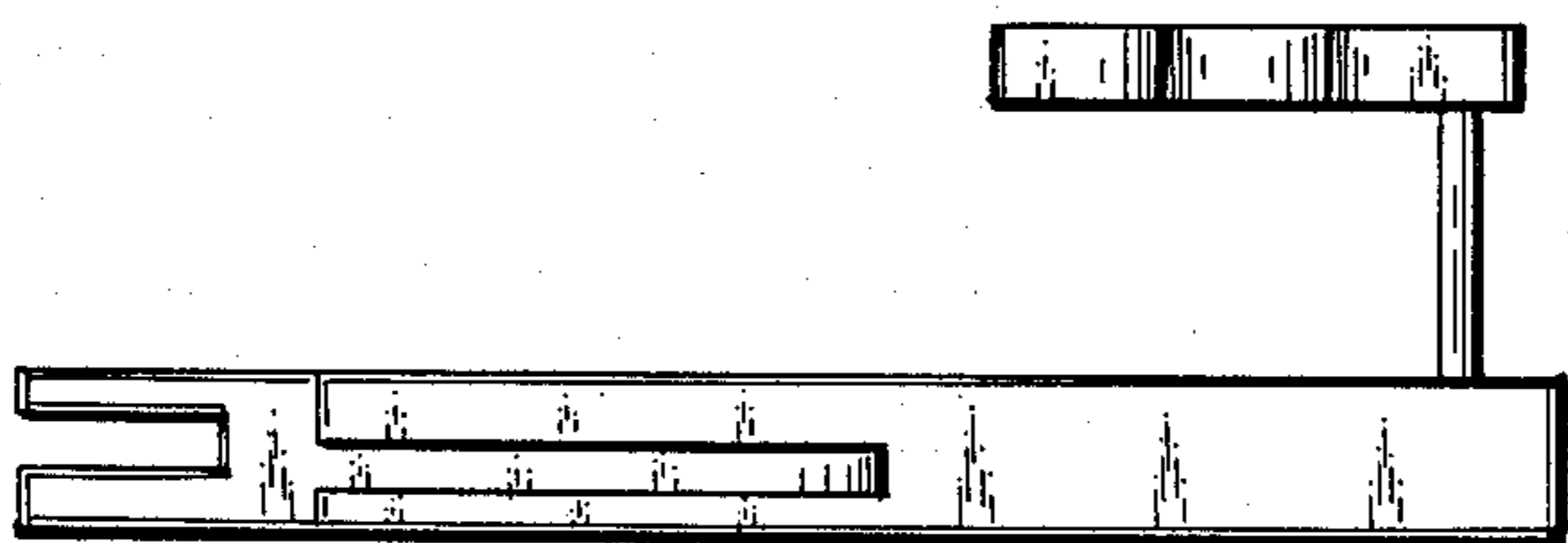
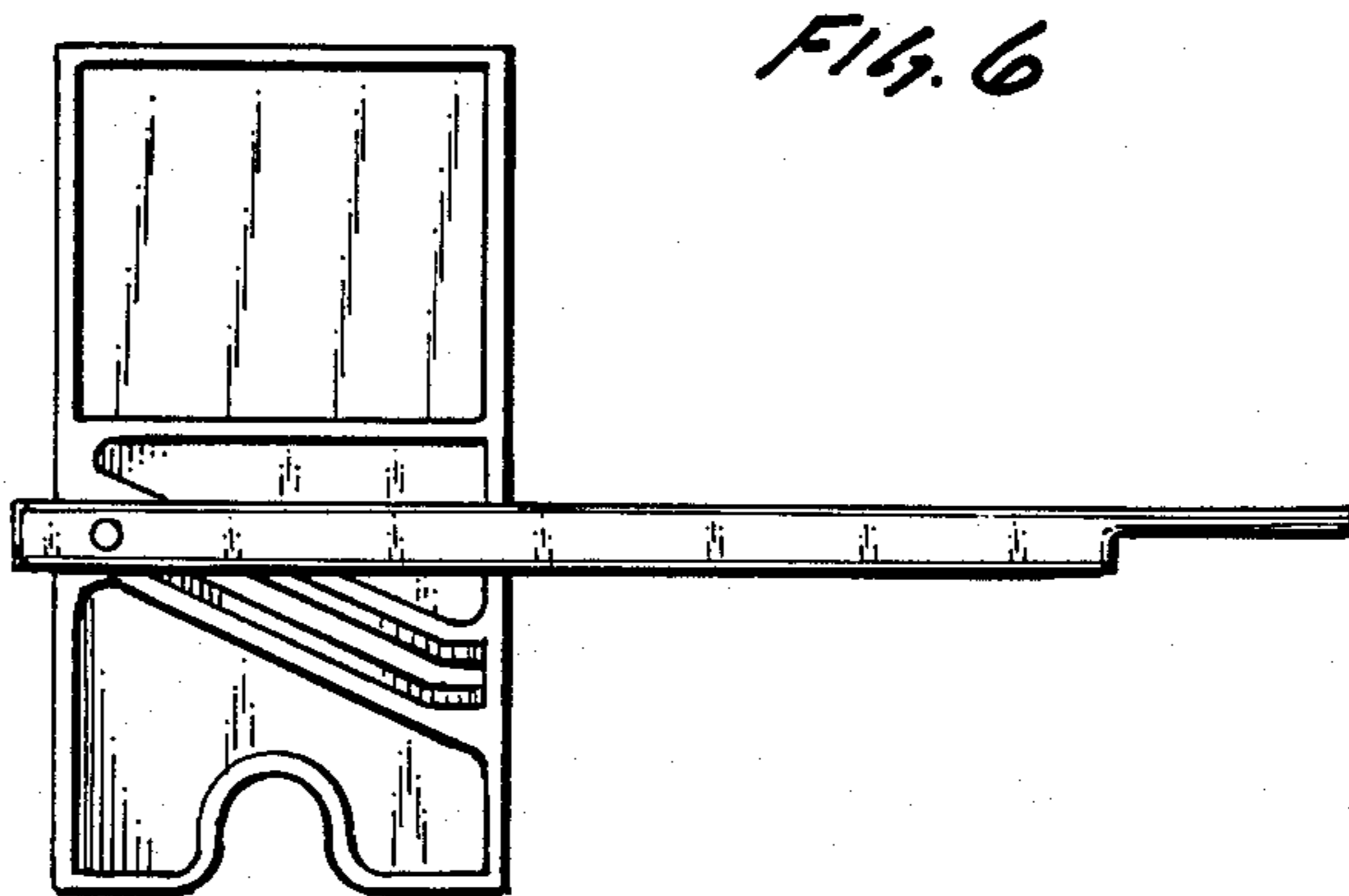
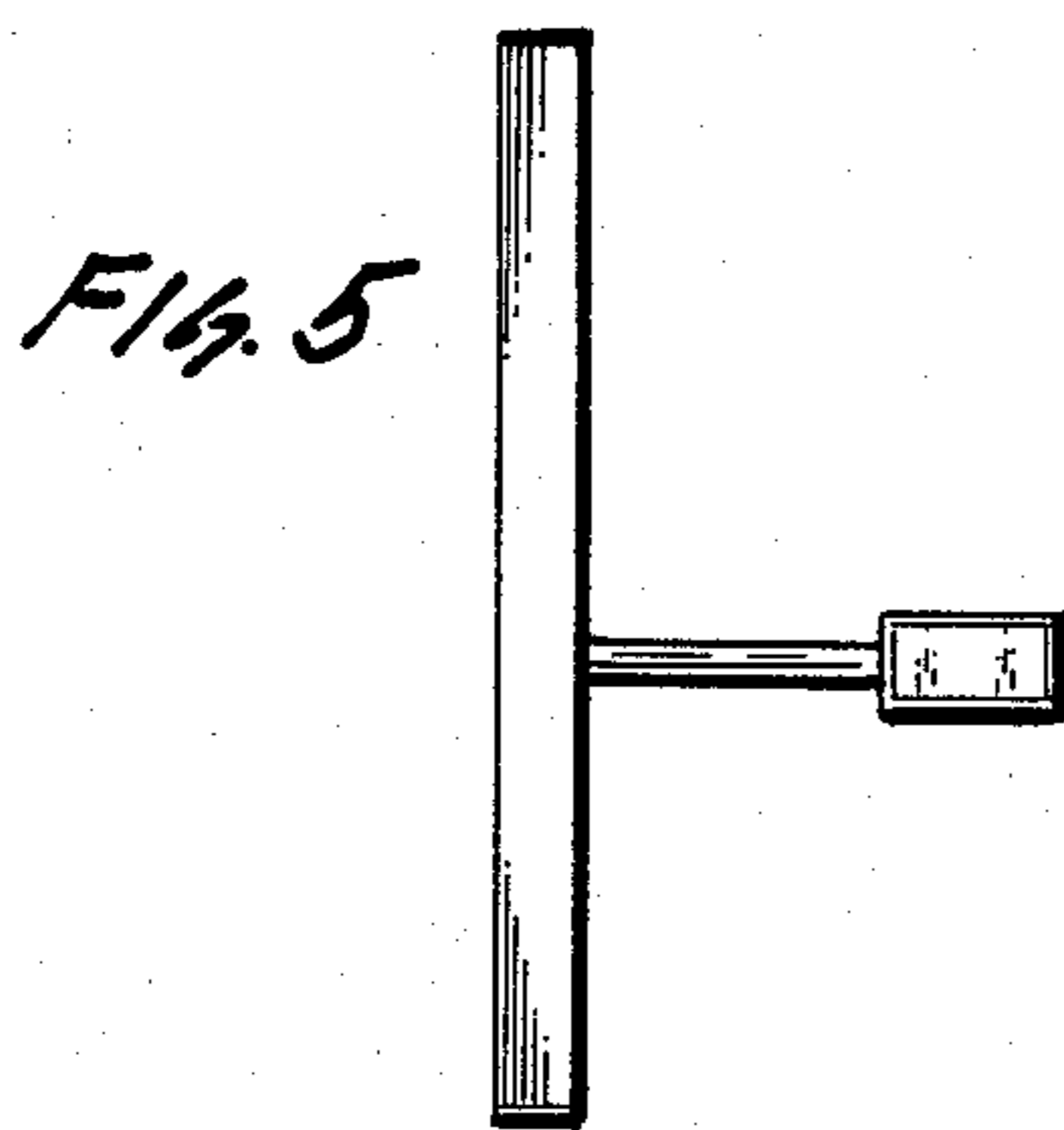
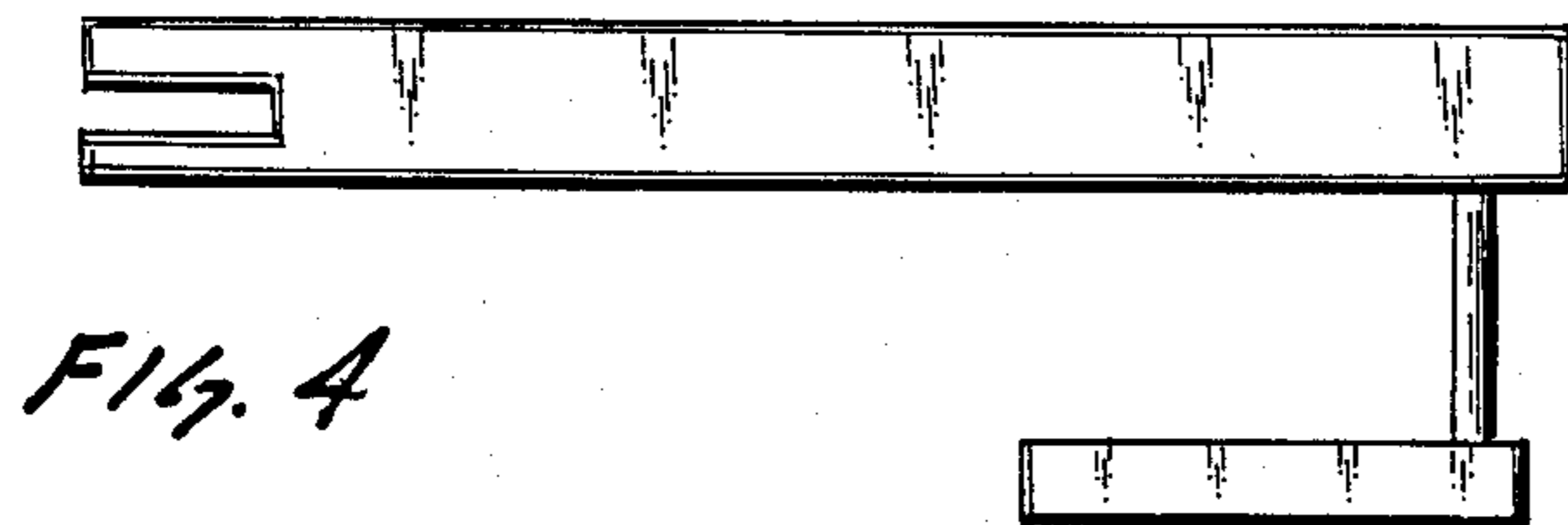


Fig. 7