

[54] DIAPER DISPENSER

[76] Inventor: Stuart J. Eisendrath, 2175 15th Ave., San Francisco, Calif. 94116

[**] Term: 14 Years

[21] Appl. No.: 862,375

[22] Filed: May 9, 1986

[52] U.S. Cl. D9/432

[58] Field of Search D9/414, 417, 432, 427; D32/37; 206/233; 229/9, 11, 20, 19, 122.2, 122.1, 305; 221/303, 305, 309, 282

3,450,308	6/1969	Schoenefeld	221/309
4,039,118	8/1977	Kawaoka	229/122.1 X
4,170,325	10/1979	Pawlowski et al.	229/17 B
4,538,726	9/1985	Pastva	229/122.2 X

Primary Examiner—Bernard Ansher
Assistant Examiner—Prabhakar Deshmukh
Attorney, Agent, or Firm—Kathleen A. Skinner

[57] CLAIM

The ornamental design for a diaper dispenser, as shown and described.

DESCRIPTION

FIG. 1 is a perspective view of a diaper dispenser showing my new design;
 FIG. 2 is a top plan view of the chute portion shown separately for clarity of illustration;
 FIG. 3 is a front elevation of FIG. 2;
 FIG. 4 is a left side elevation of FIG. 2;
 FIG. 5 is a rear side elevation of FIG. 2;
 FIG. 6 is a bottom plan view of FIG. 2;
 FIG. 7 is a right side elevation of FIG. 2;
 FIG. 8 is a cross-section taken in the direction of an arrow on line 8—8 of FIG. 3;
 FIG. 9 is a rear side elevation of the removable lid also shown separately for clarity of illustration;
 FIG. 10 is a right side elevation of FIG. 9;
 FIG. 11 is a front elevation of FIG. 9;
 FIG. 12 is a top plan view of FIG. 9;
 FIG. 13 is a left side elevation of FIG. 9 and;
 FIG. 14 is a bottom plan view of FIG. 9.

[56] References Cited

U.S. PATENT DOCUMENTS

D. 85,566	11/1931	Young .	
D. 157,543	2/1950	Tant et al. .	
D. 161,590	1/1951	Pattison, Jr. .	
D. 162,809	4/1951	Gay .	
D. 224,692	8/1972	Gray .	
D. 249,764	10/1978	Burkiacich .	
349,786	9/1886	Duke 229/20
1,119,213	12/1914	Abt .	
1,653,286	12/1927	Huggins 221/282
1,734,031	11/1929	Carlson .	
1,986,101	1/1935	Brodsky 229/17
2,774,470	12/1956	O'Part D9/417 X
2,805,111	9/1957	Jarnot 312/42
3,040,952	6/1962	Garman 229/122.2 X
3,102,675	9/1963	Schrom 229/20
3,164,298	1/1965	Repko 221/282
3,235,318	2/1966	Rosenberg 312/42

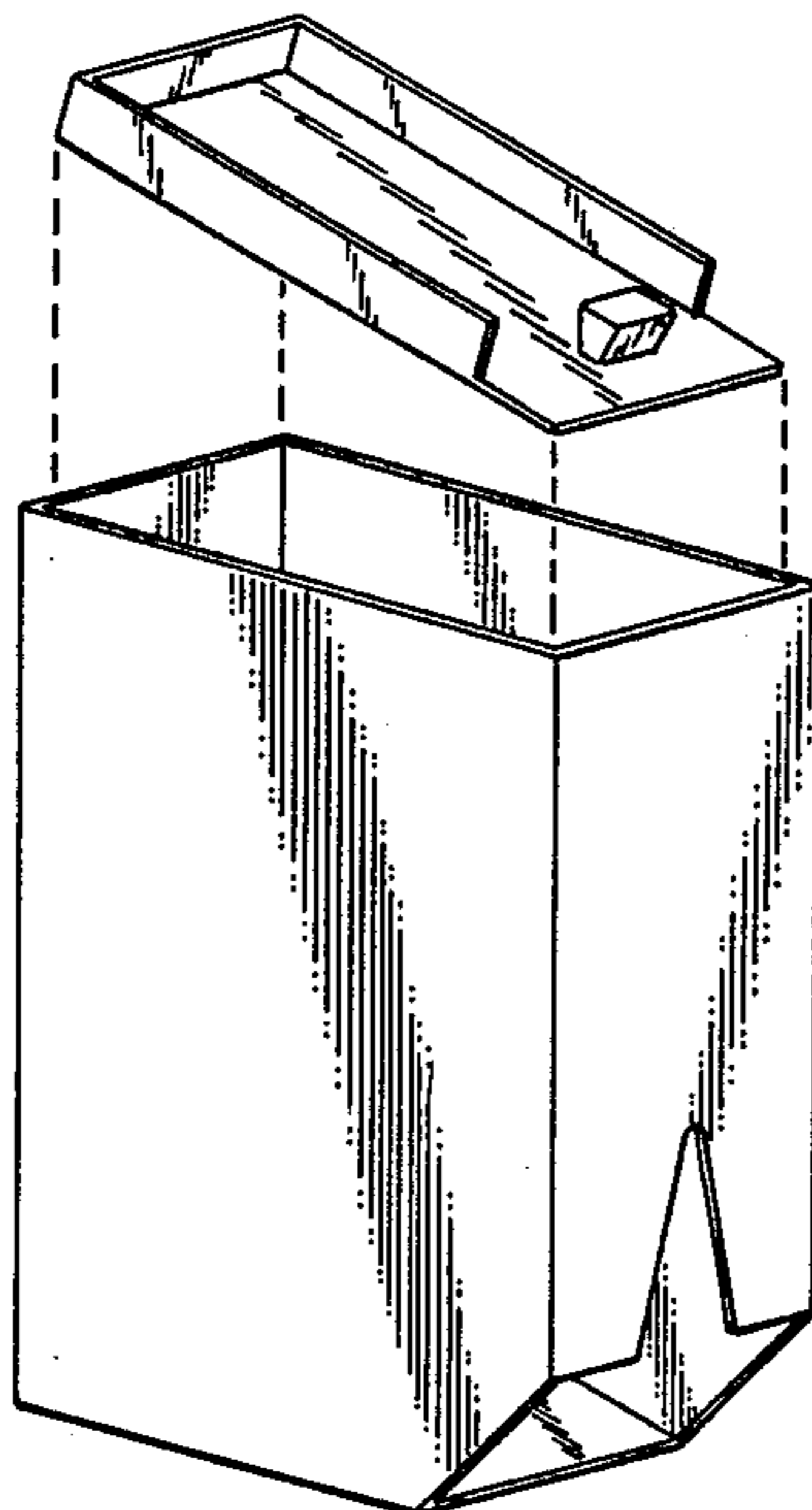


FIG. 1.

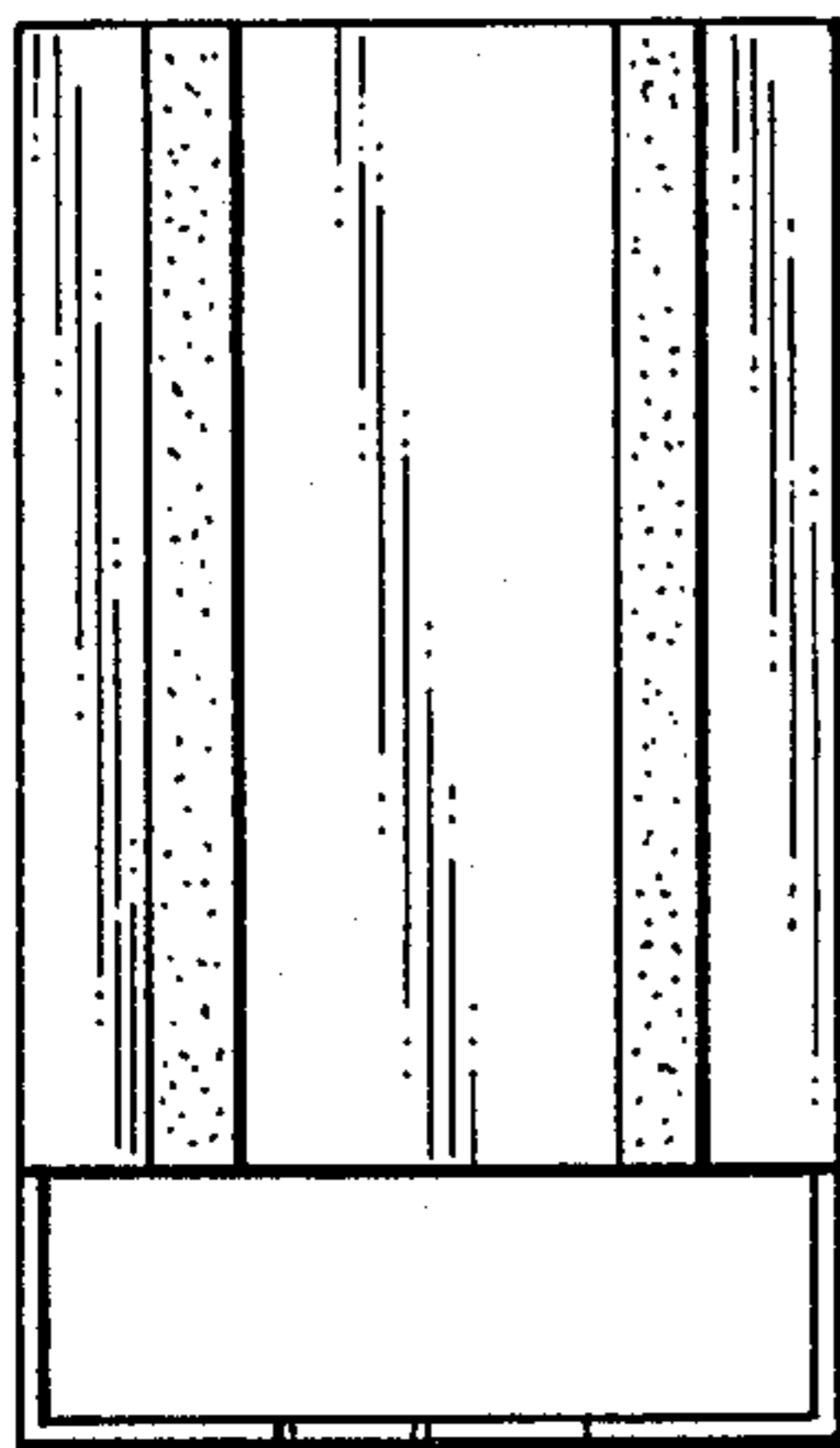
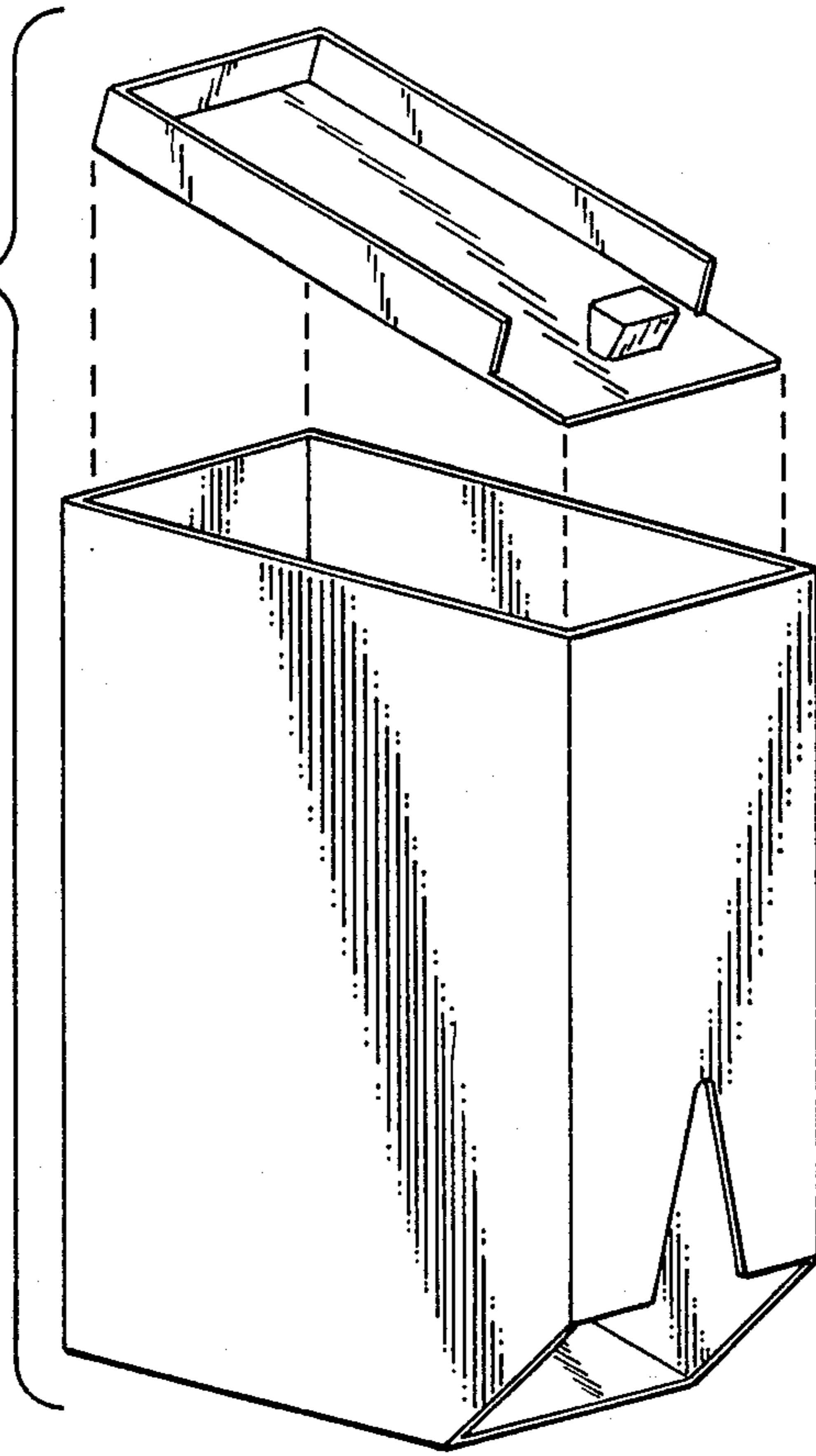


FIG. 6.

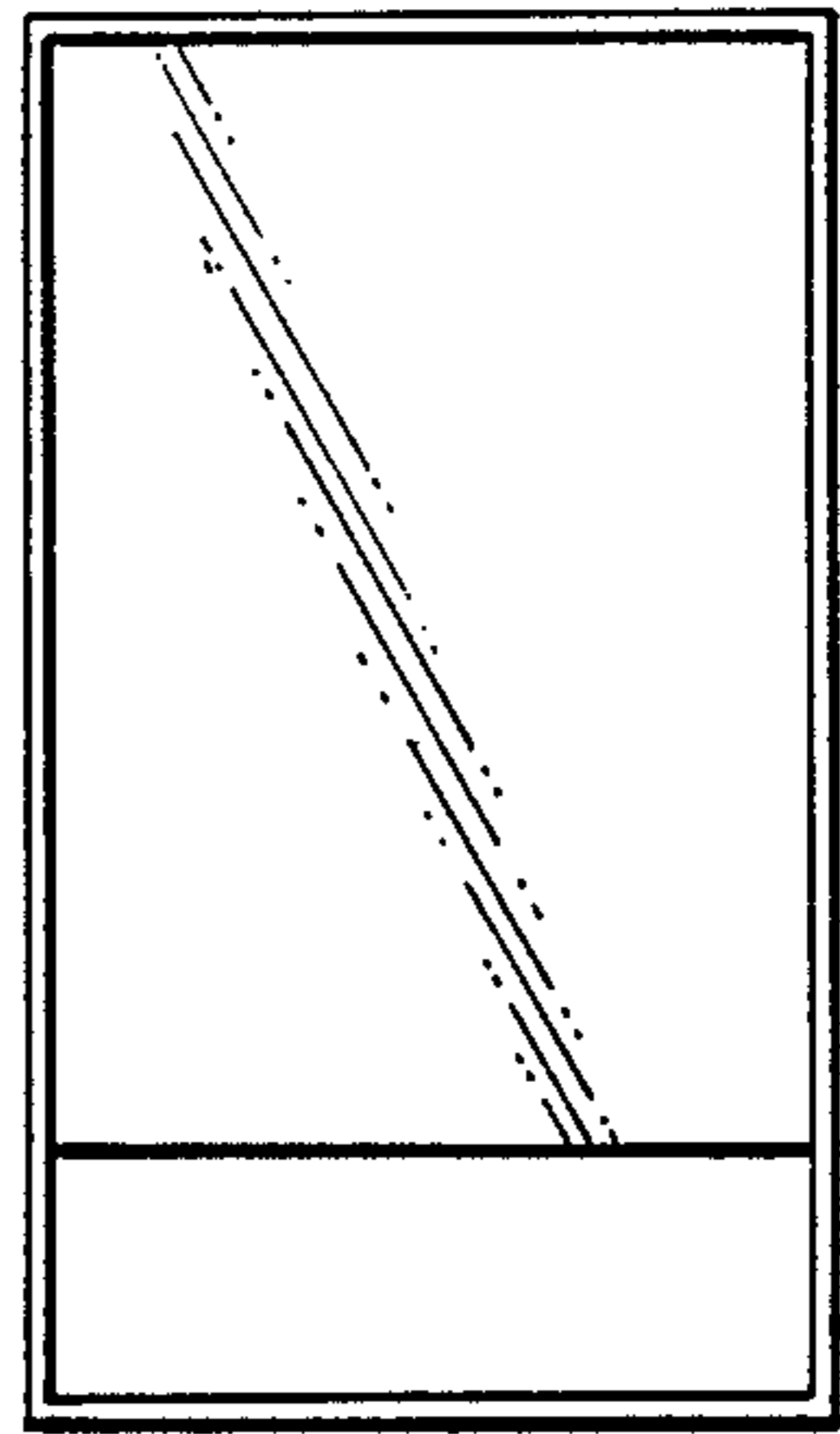


FIG. 2.

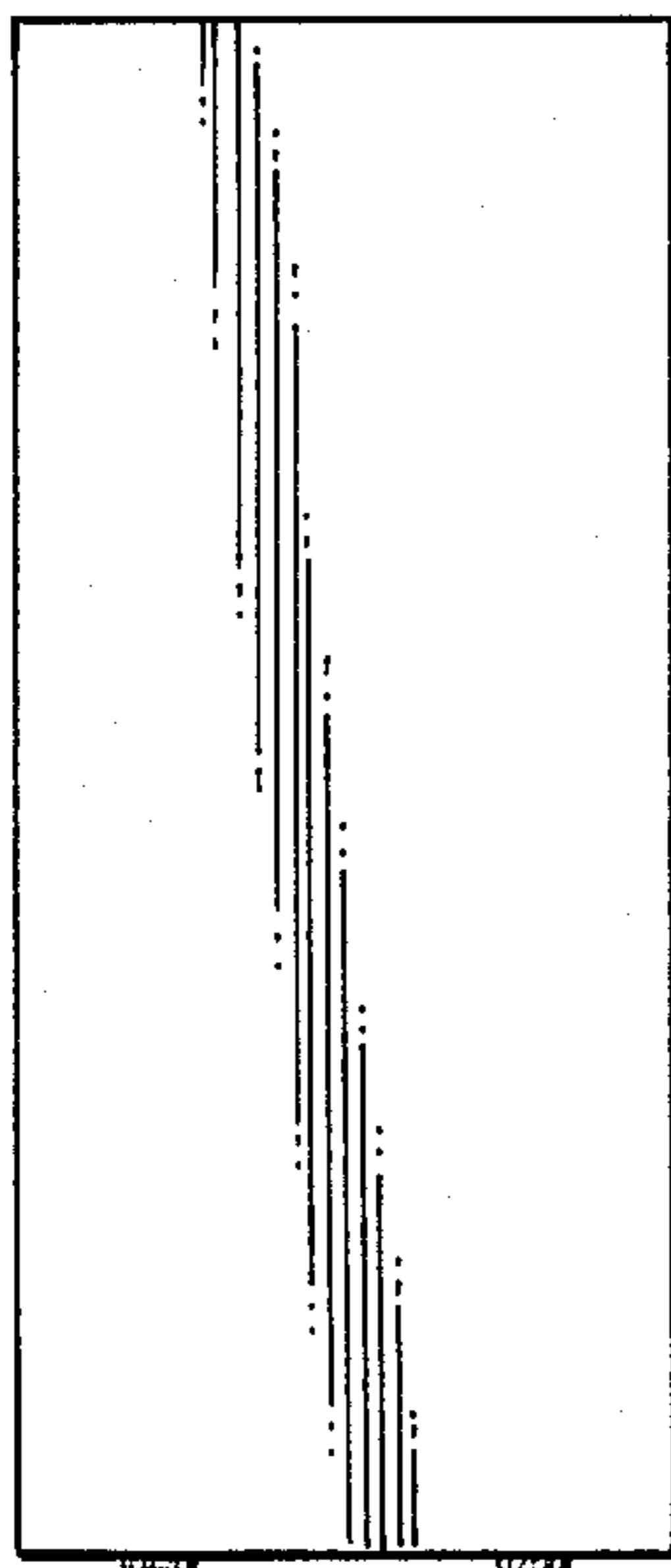


FIG. 5.

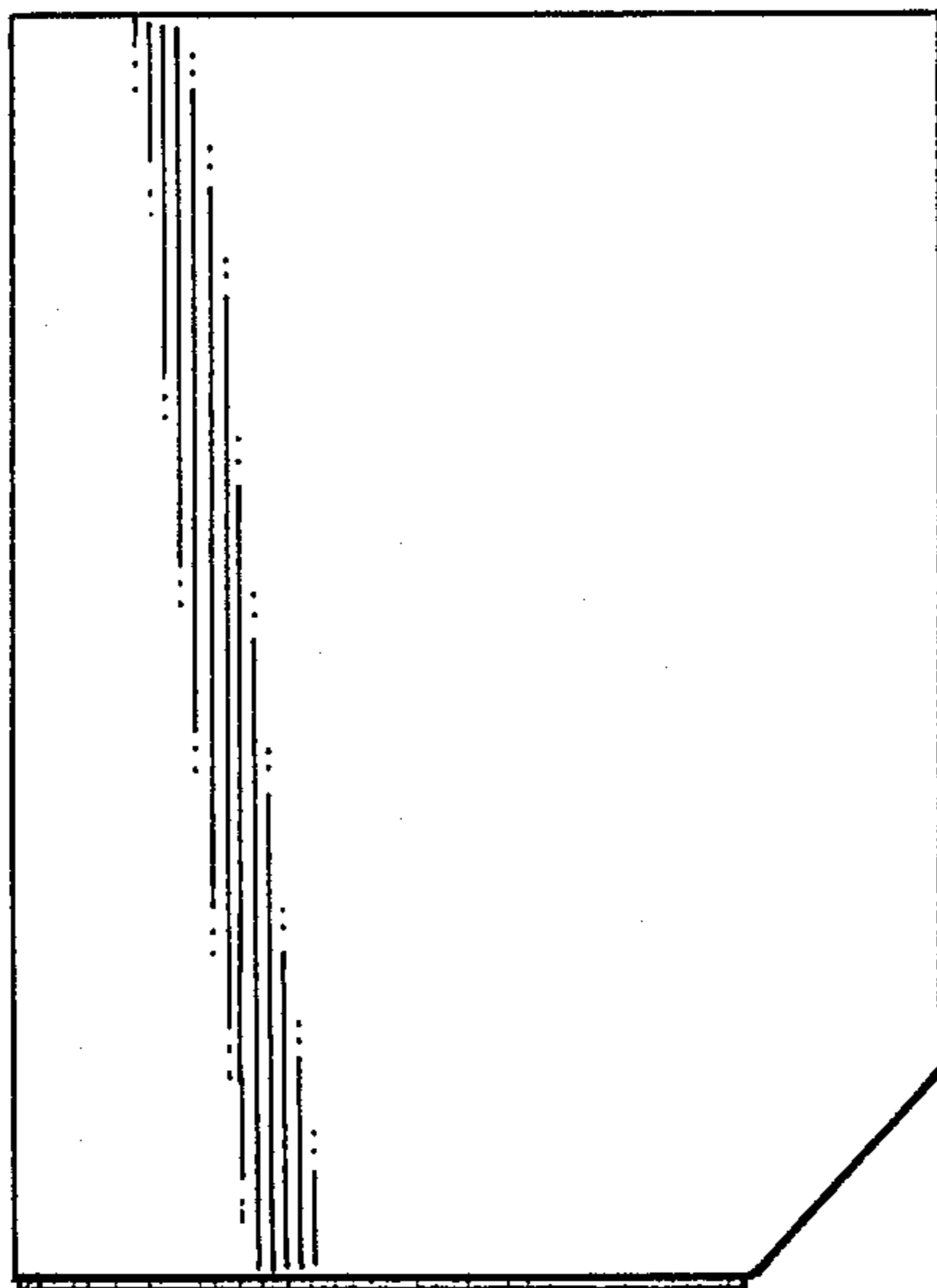


FIG. 4.

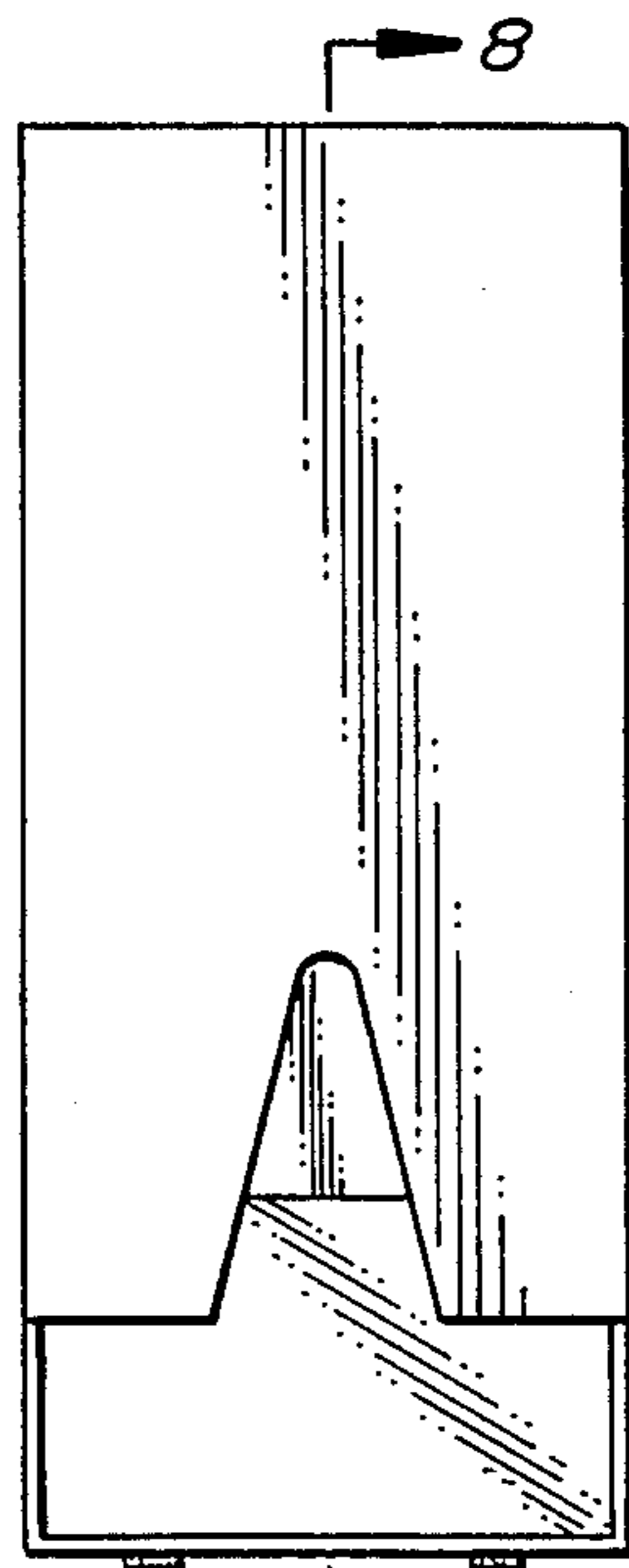


FIG. 3.

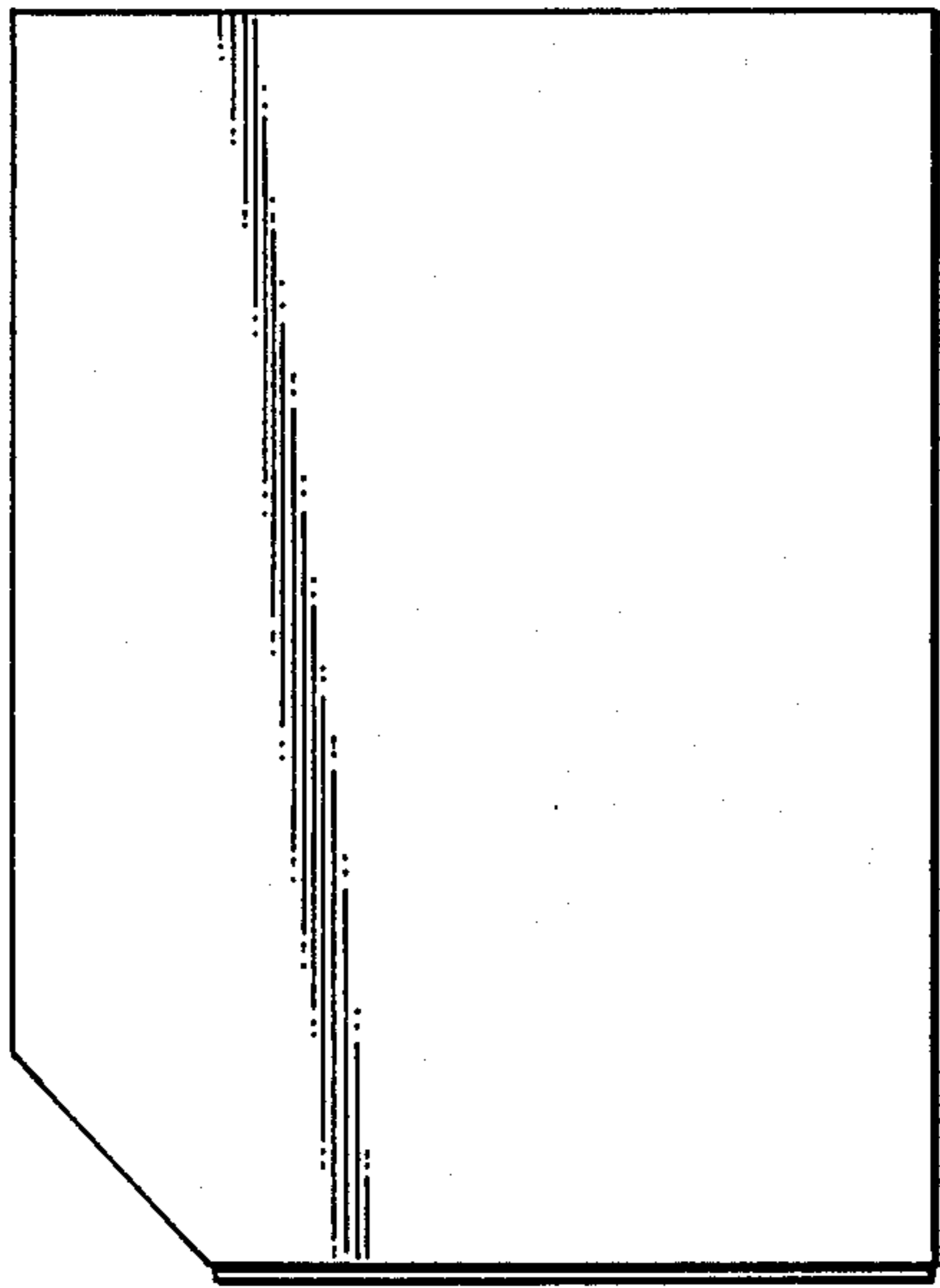


FIG. 7.

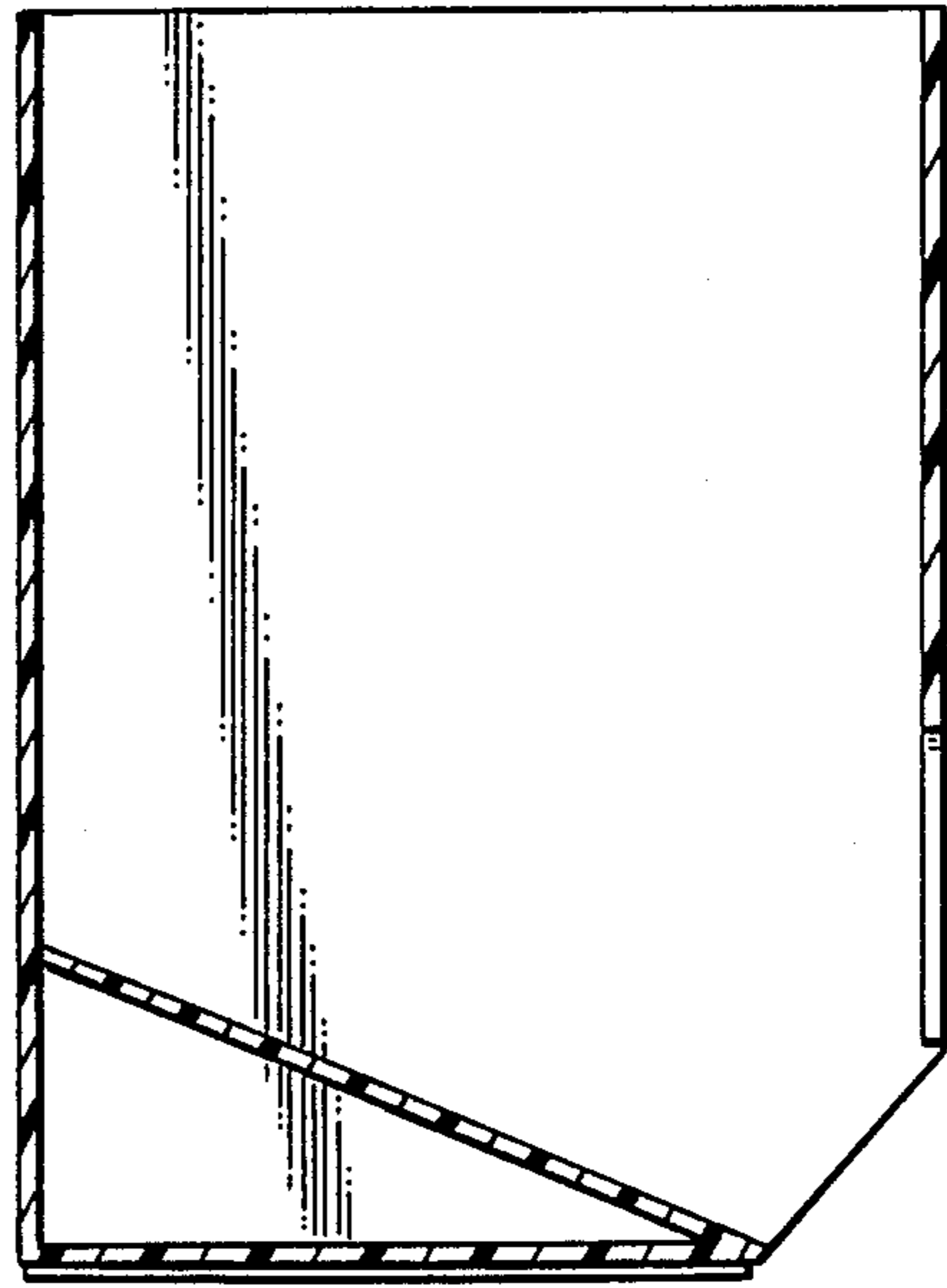


FIG. 8.



FIG. 9.



FIG. 10.



FIG. 11.

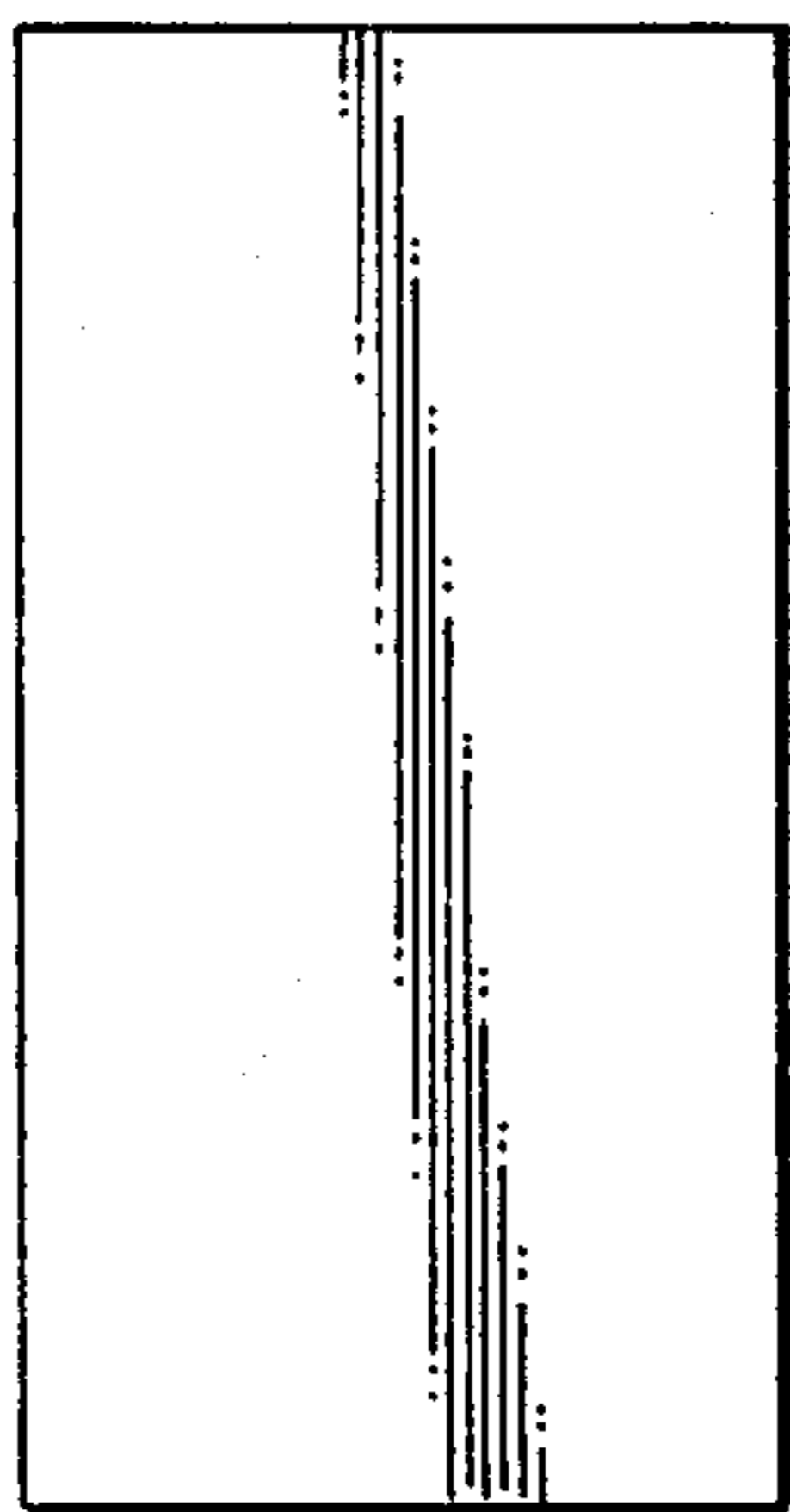


FIG. 14.



FIG. 13.

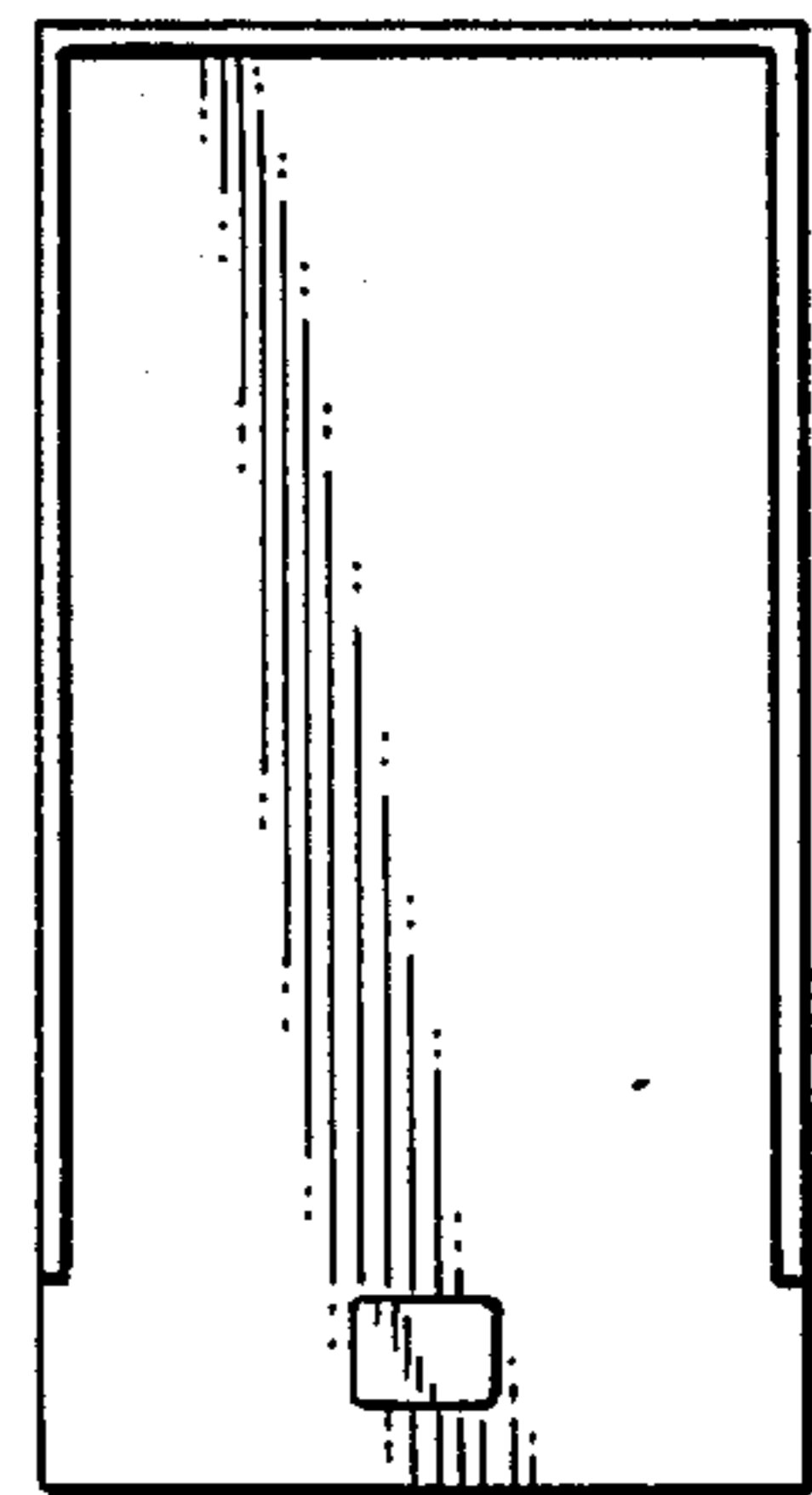


FIG. 12.