

[54] CHAIN SAW

[75] Inventors: Kazuo Nakajima, Saitama; Kiyoshi Anbo, Fussaku, both of Japan

[73] Assignee: Komatsu Zenoah Co., Tokyo, Japan

[**] Term: 14 Years

[21] Appl. No.: 853,948

[22] Filed: Apr. 21, 1986

[30] Foreign Application Priority Data

Oct. 21, 1985 [JP]	Japan	60-43809
[52] U.S. Cl.		D8/65; D8/69
[58] Field of Search		D8/61-70; 30/381-385

[56] References Cited

U.S. PATENT DOCUMENTS

D. 268,089	3/1983	Sato	D8/65
D. 288,896	3/1987	Yamamoto et al.	D8/65
4,141,143	2/1979	Hirschhoff et al.	30/381
4,197,604	4/1980	Murray	30/382
4,370,809	2/1983	Takahashi et al.	30/381
4,462,158	7/1984	Wehle	30/381

OTHER PUBLICATIONS

McCulloch advertisement #190301, ©1975 for the "Super Pro-40".

Remington advertisement #CS-208, ©1977 for the "Mighty-Mite" Chain Saw.

WEN advertising mailer for "Hornet Mark III", 16" Chain Saw.

Poulan advertising brochure printed 4-1986, models 2800, 3000 & 3400.

Primary Examiner—Bruce W. Dunkins

Assistant Examiner—Clare E. Heflin

Attorney, Agent, or Firm—Foley & Lardner, Schwartz, Jeffery, Schwaab, Mack, Blumenthal & Evans

[57] CLAIM

The ornamental design for a chain saw, as shown and described.

DESCRIPTION

FIG. 1 is a perspective view of a chain saw, showing our new design;

FIG. 2 is a right side elevational view thereof;

FIG. 3 is a left side elevational view thereof;

FIG. 4 is a front elevational view thereof;

FIG. 5 is a rear elevational view thereof;

FIG. 6 is a top plan view thereof; and

FIG. 7 is a bottom plan view thereof.

The broken line showing of the blade is for illustrative purposes only and forms no part of the claimed design.

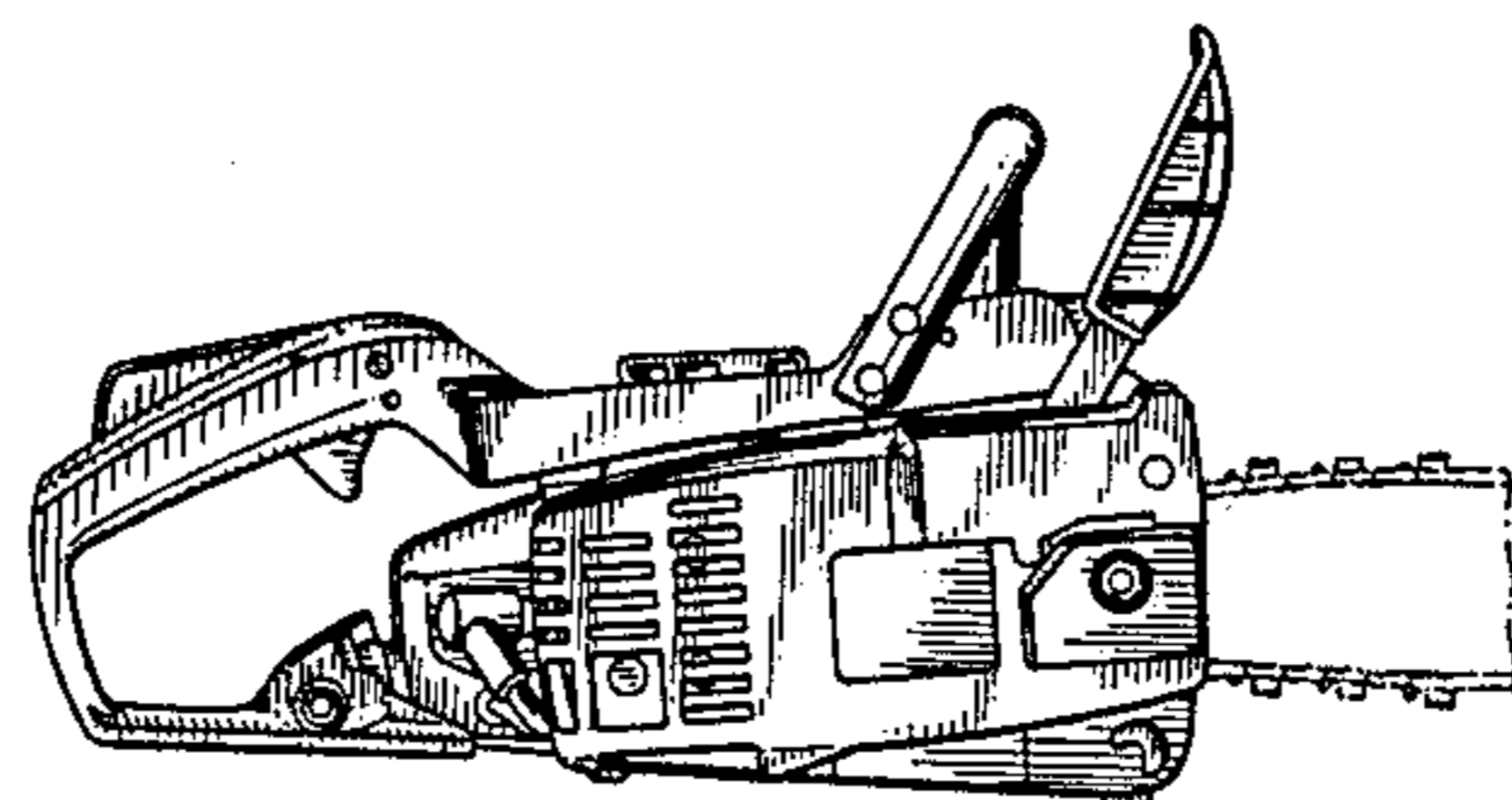
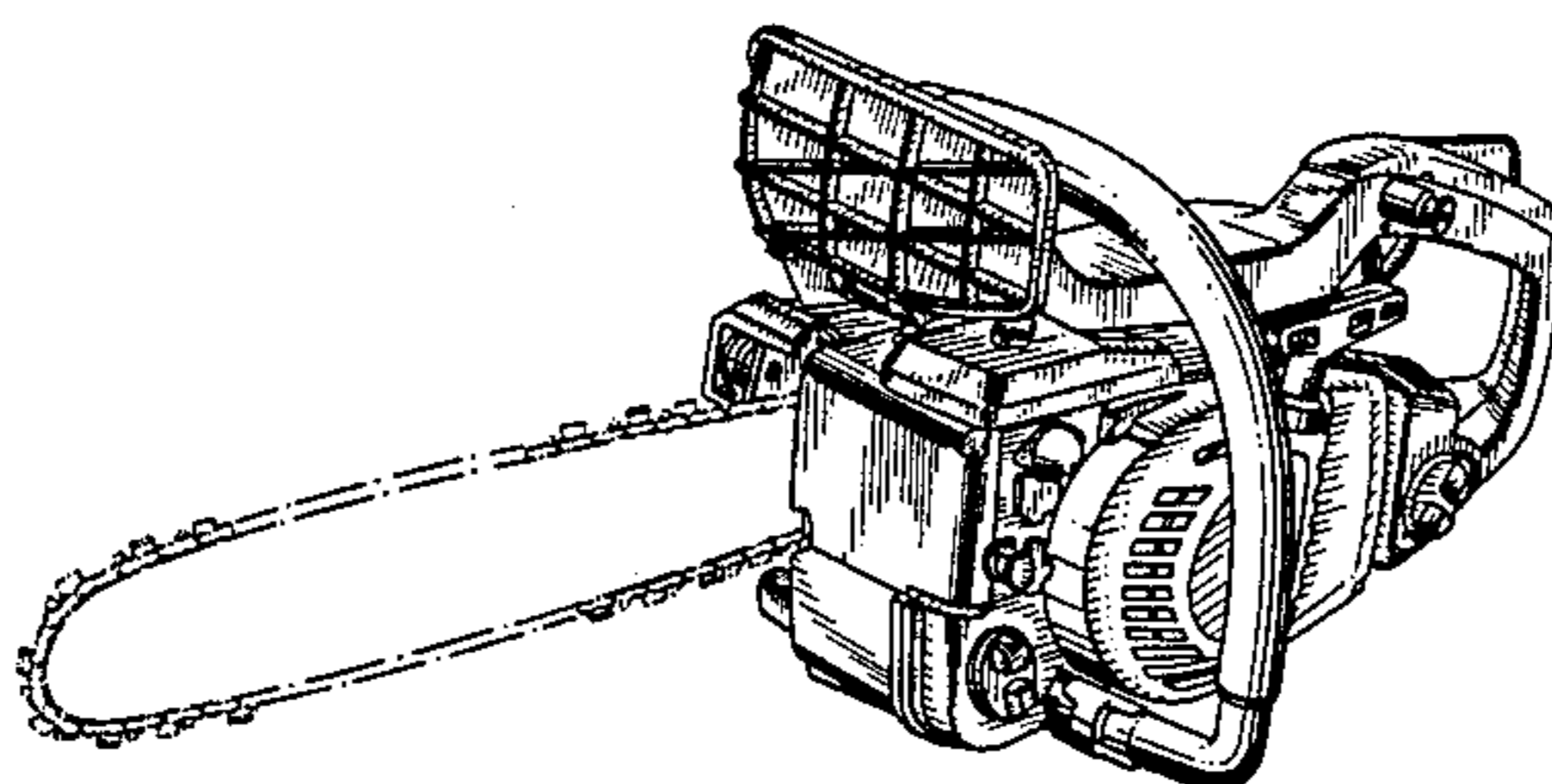


FIG. 1

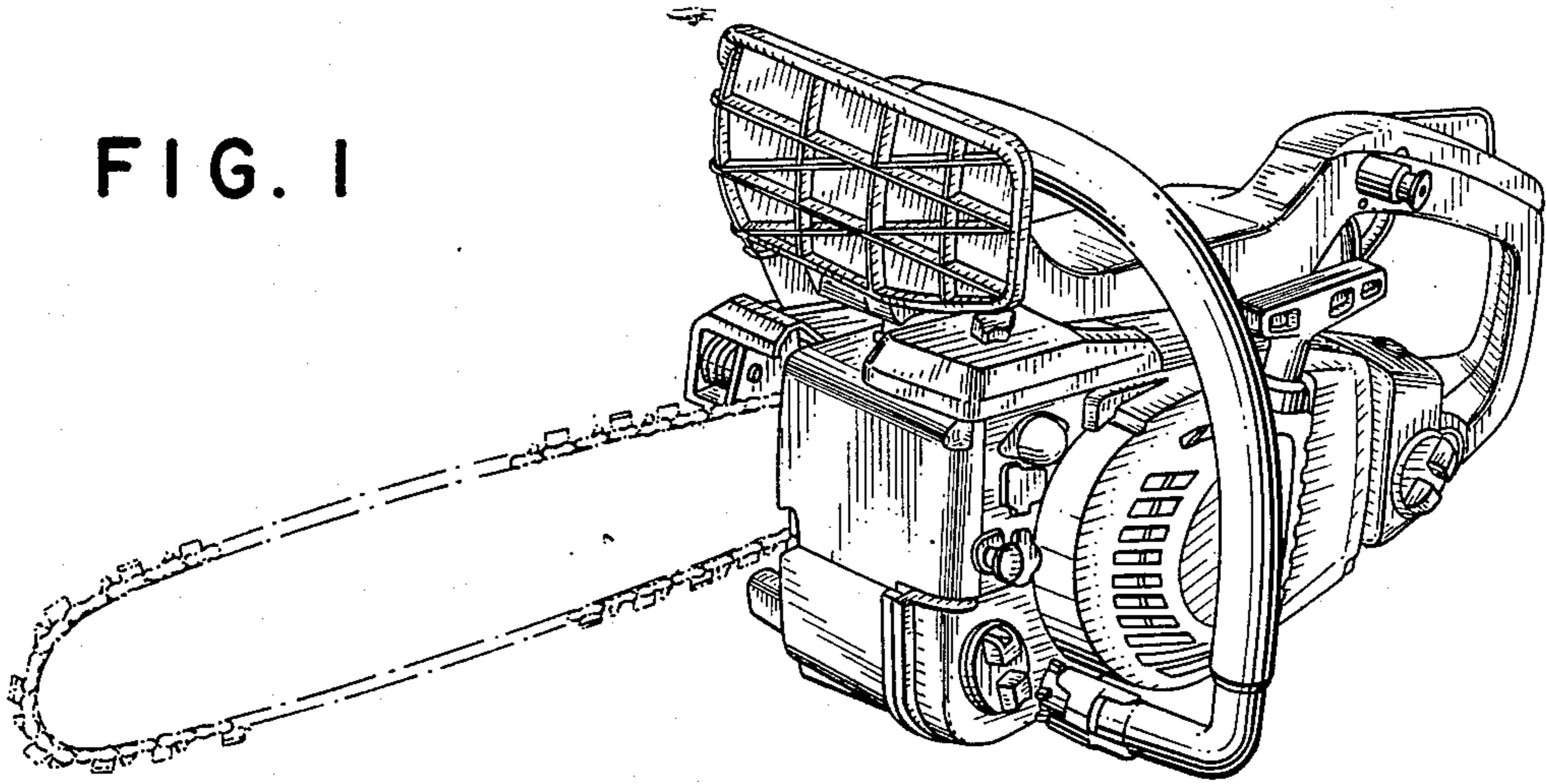


FIG. 2

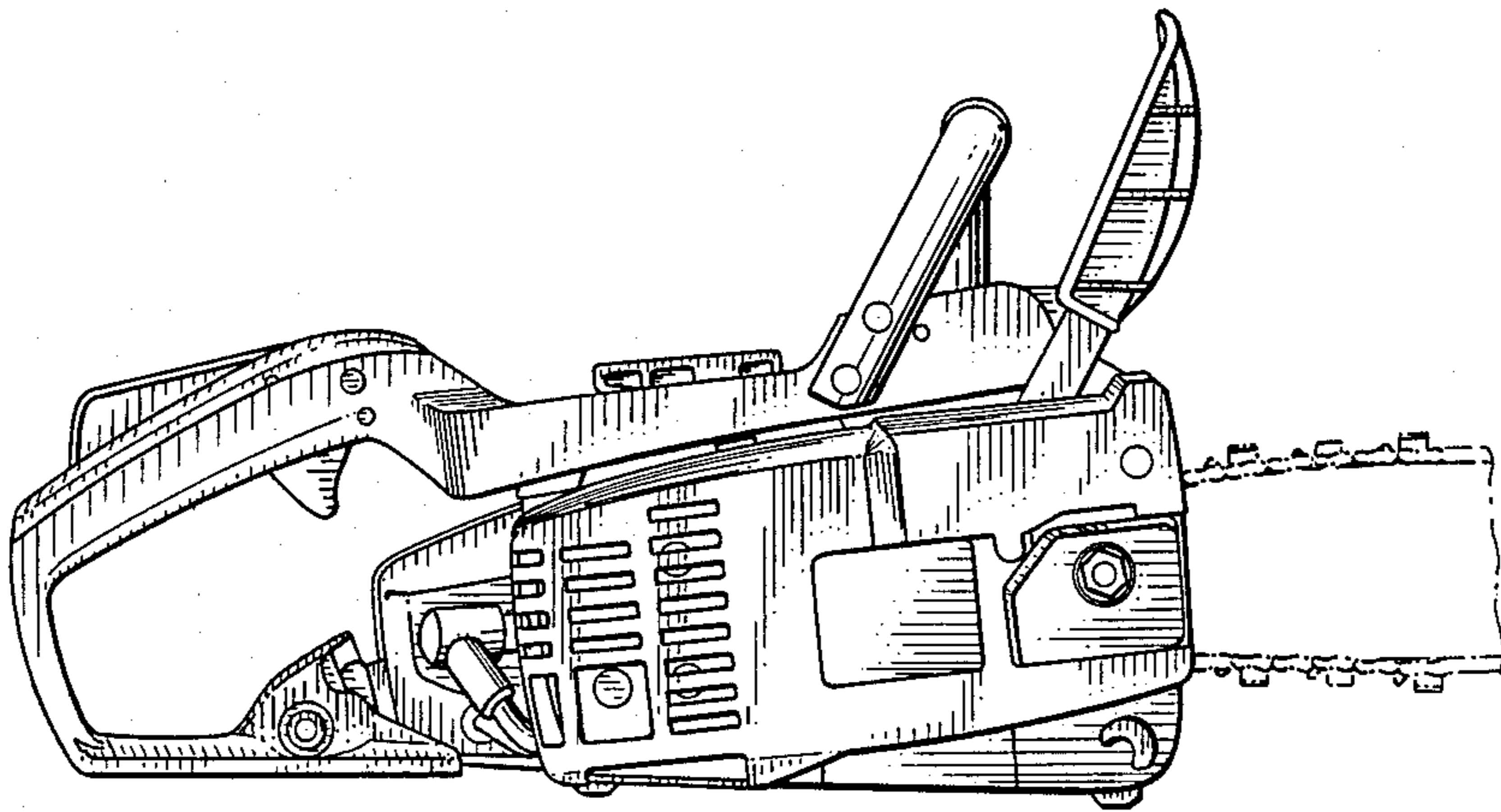


FIG. 3

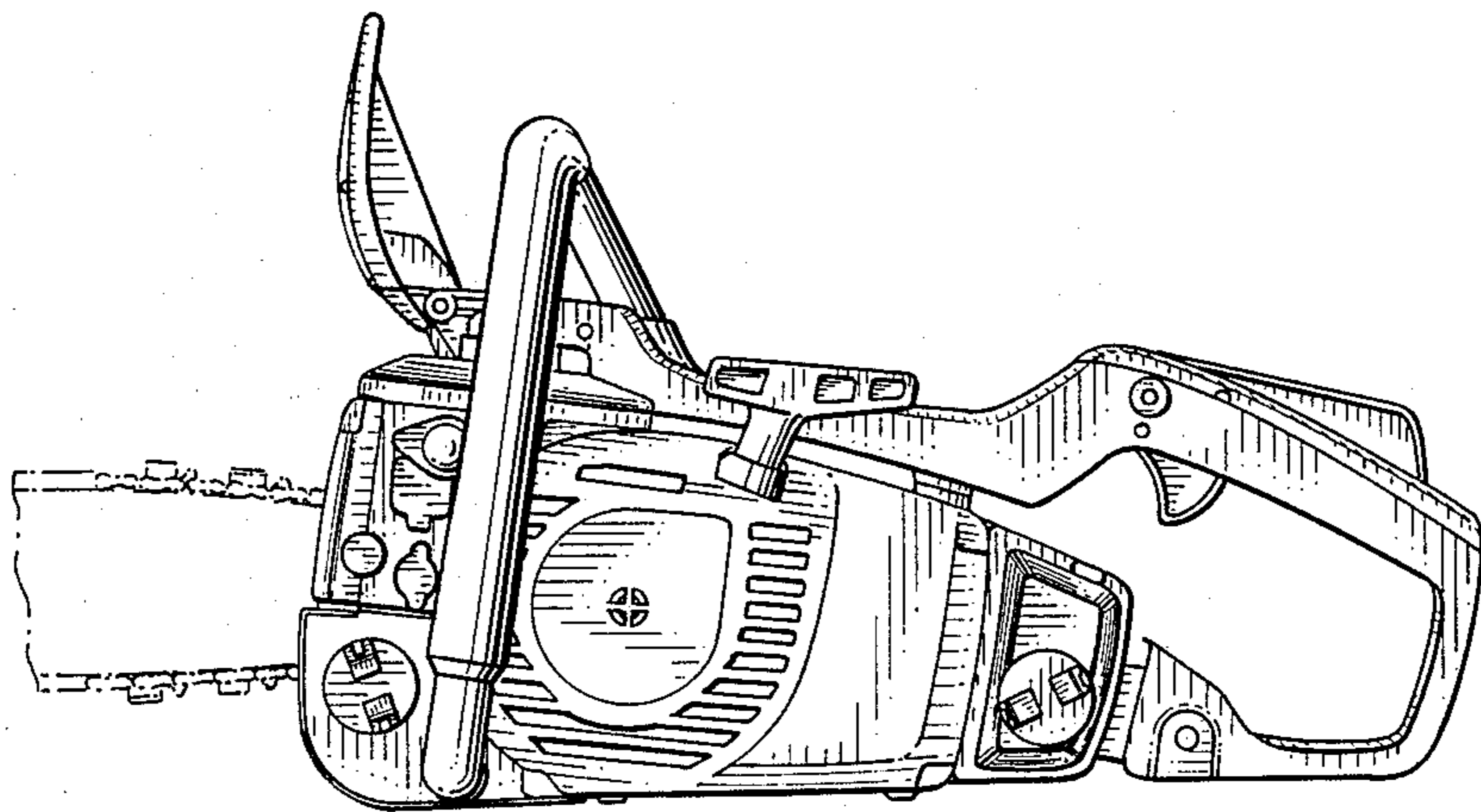


FIG. 4

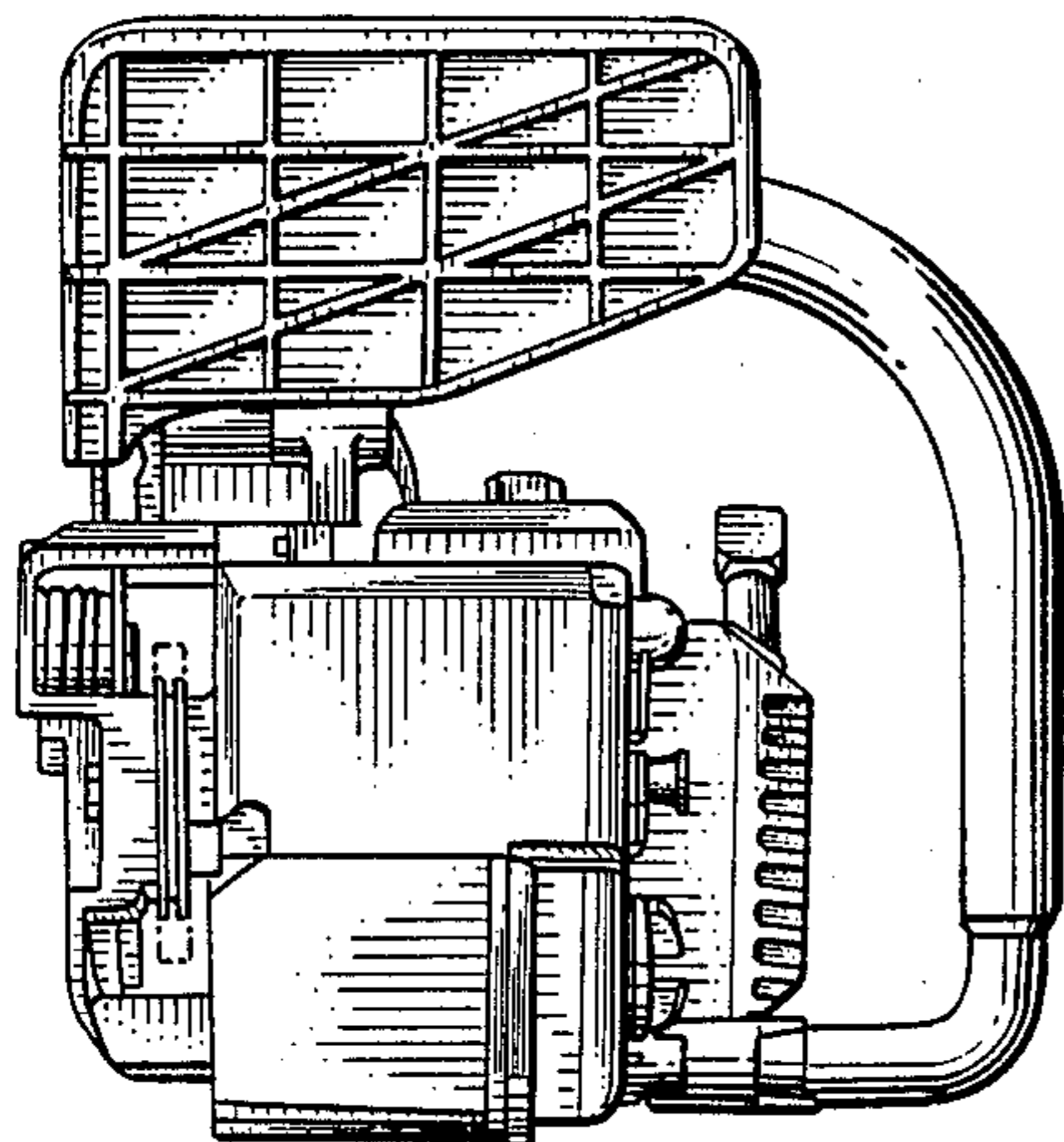


FIG. 5

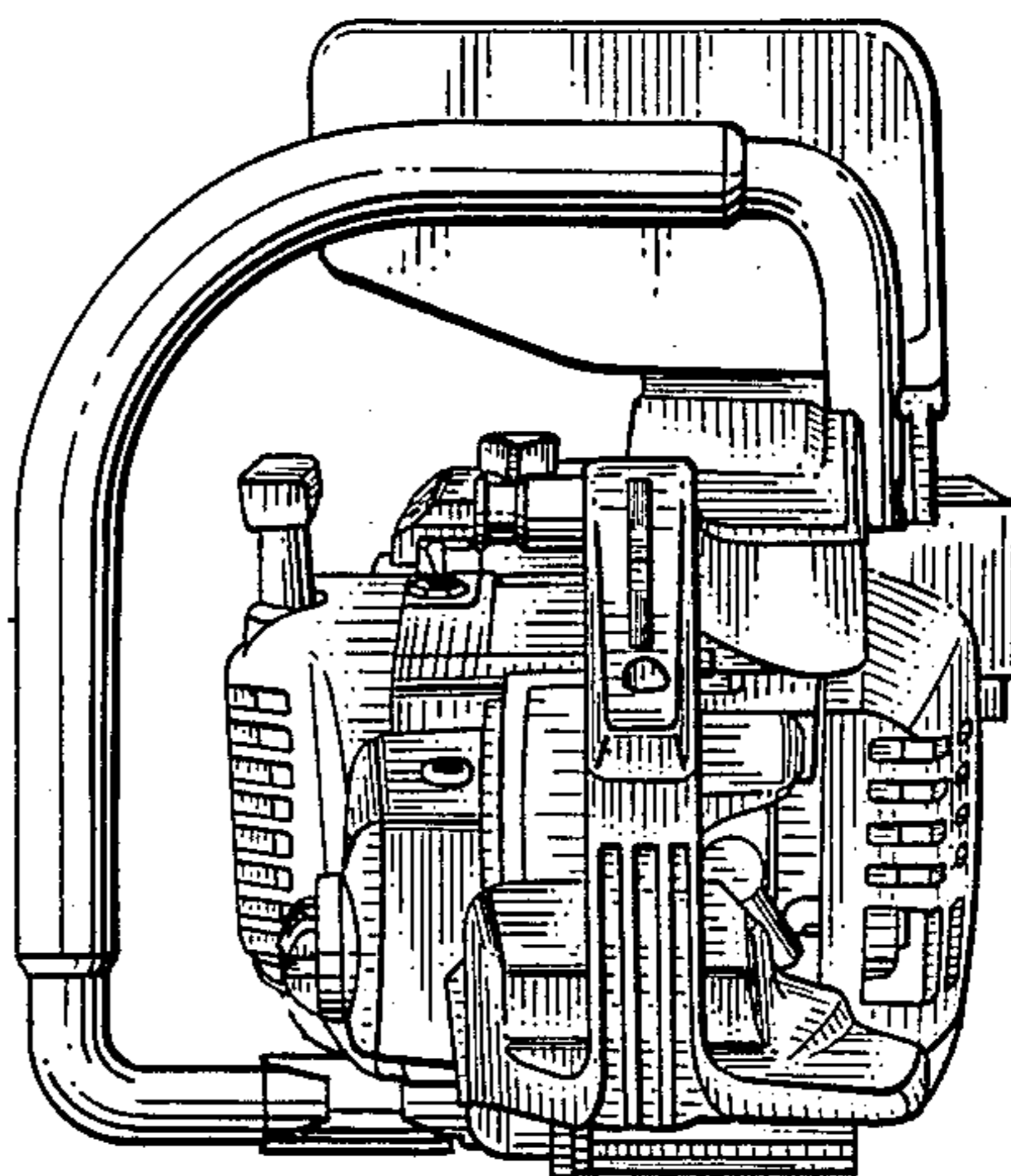


FIG. 6

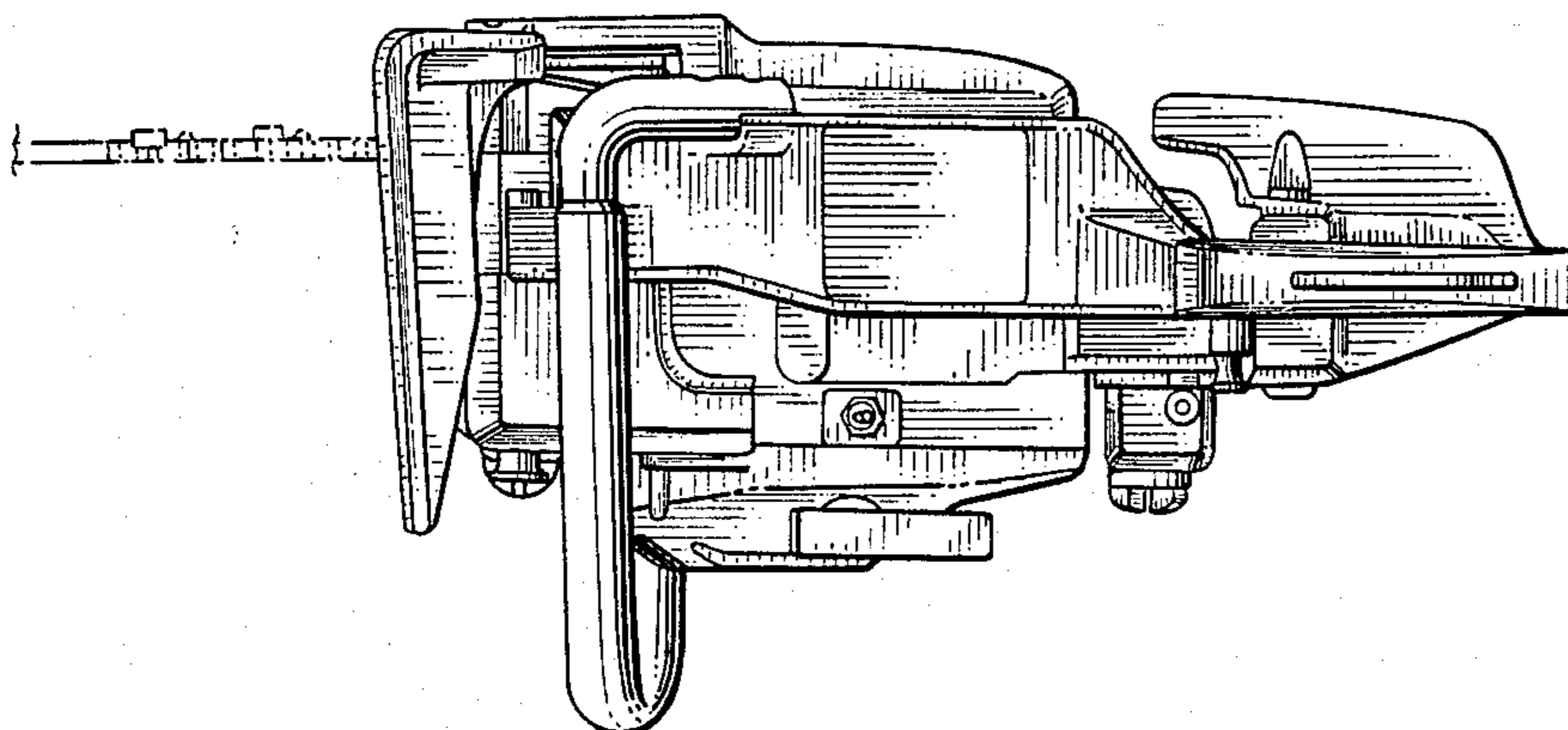


FIG. 7

