

[54] CAN OPENER

[56]

References Cited

U.S. PATENT DOCUMENTS

D. 240,700 7/1976 Scott et al. D8/35
3,858,313 1/1975 Yamaguchi D8/36 X

Primary Examiner—Bernard Ansher
Assistant Examiner—Terry A. Pfeffer
Attorney, Agent, or Firm—Neil M. Rose

[75] Inventor: Richard K. Thomas, Elk Grove Village, Ill.

[73] Assignee: Sunbeam Corporation, Downers Grove, Ill.

[57]

CLAIM

The ornamental design for a can opener, as shown and described.

[**] Term: 14 Years

DESCRIPTION

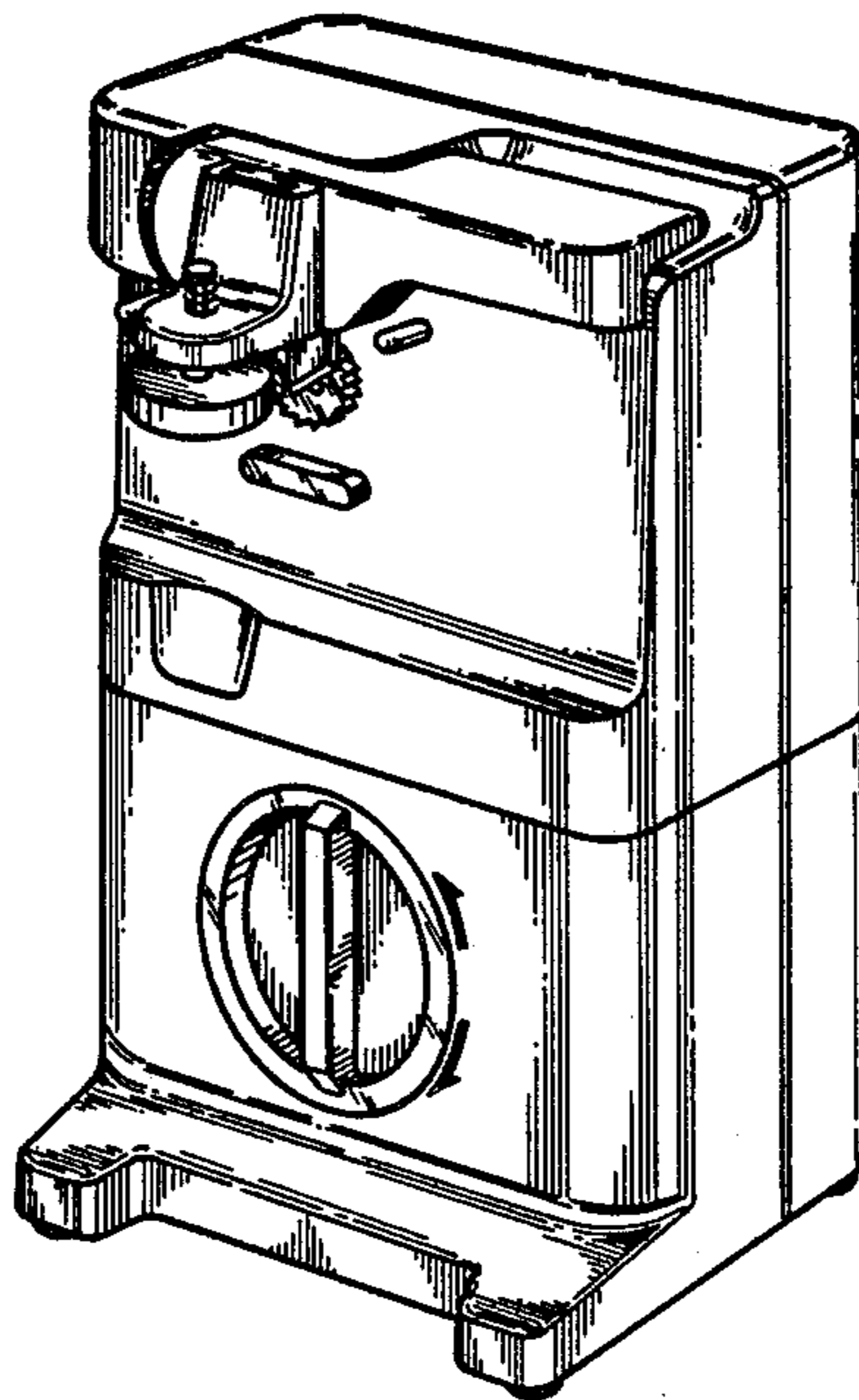
[21] Appl. No.: 34,318

FIG. 1 is a front, top, right side perspective view of a can opener showing my new design;
FIG. 2 is a right side elevational view thereof;
FIG. 3 is a left side elevational view thereof;
FIG. 4 is a rear, top, left side perspective view thereof;
FIG. 5 is a top plan view thereof; and
FIG. 6 is a bottom plan view thereof.

[22] Filed: Apr. 3, 1987

[52] U.S. Cl. D8/35; D8/36

[58] Field of Search D8/36, 33-35;
30/400, 410, 416, 421-426



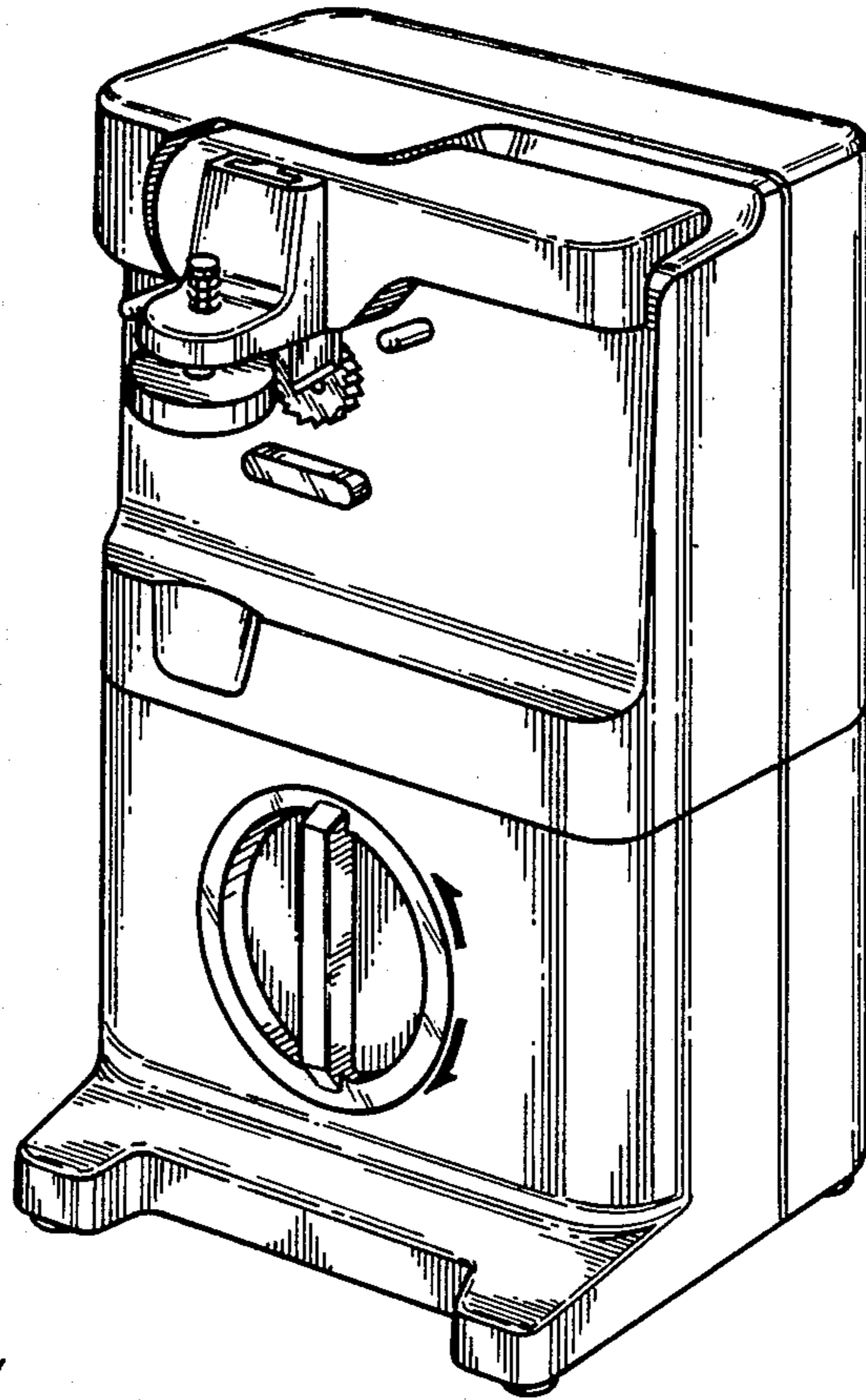


Fig. 1

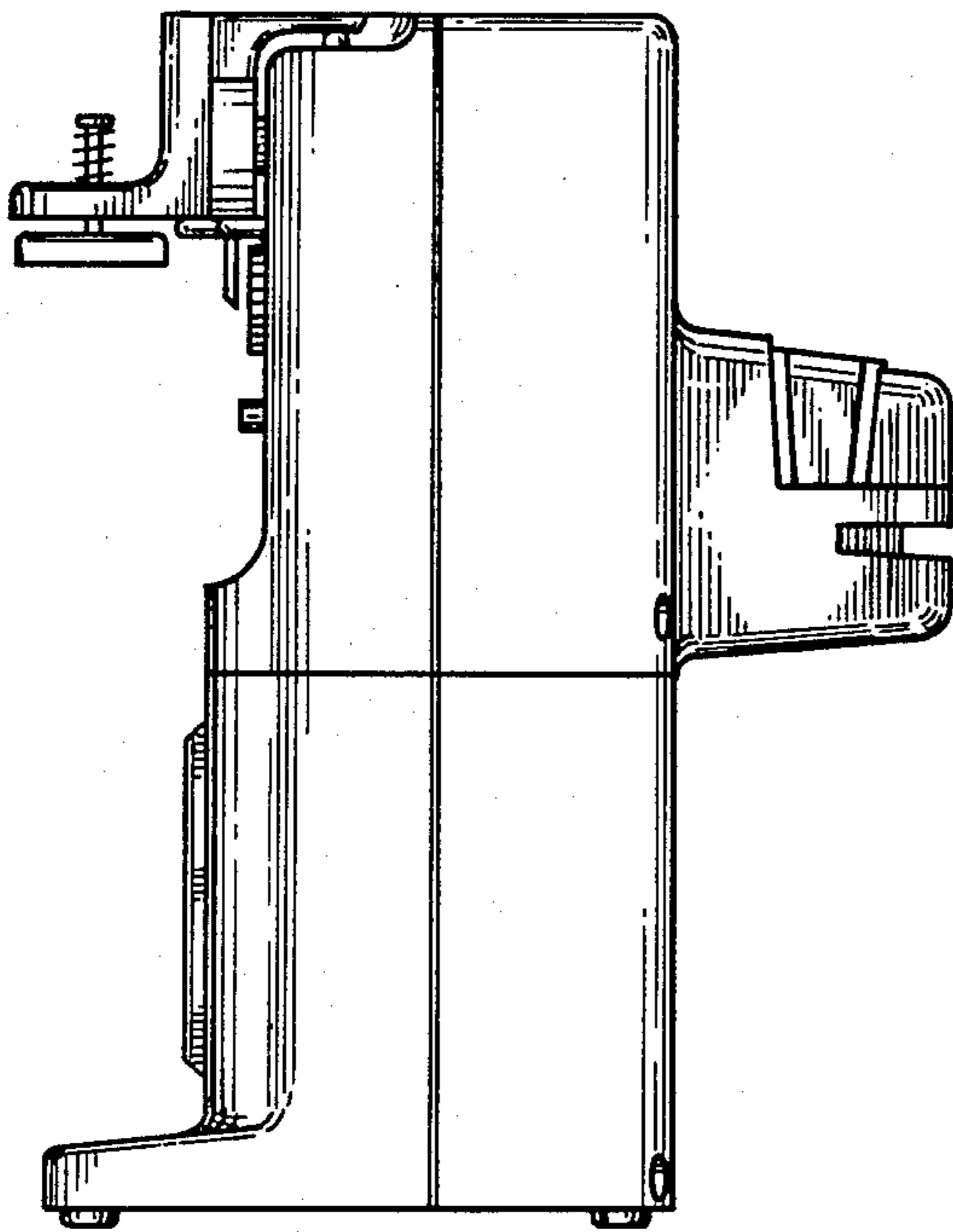


Fig. 2

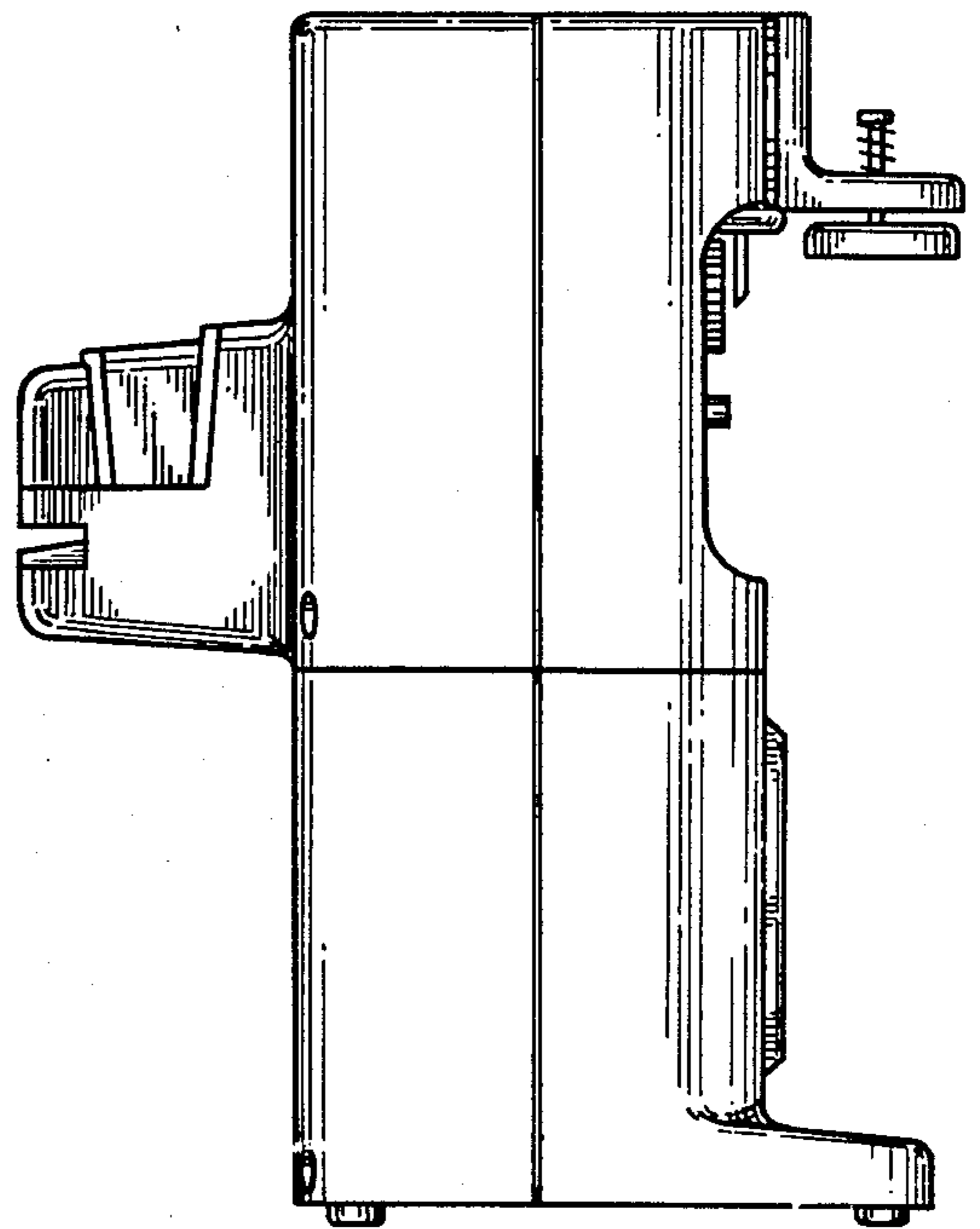


Fig. 3

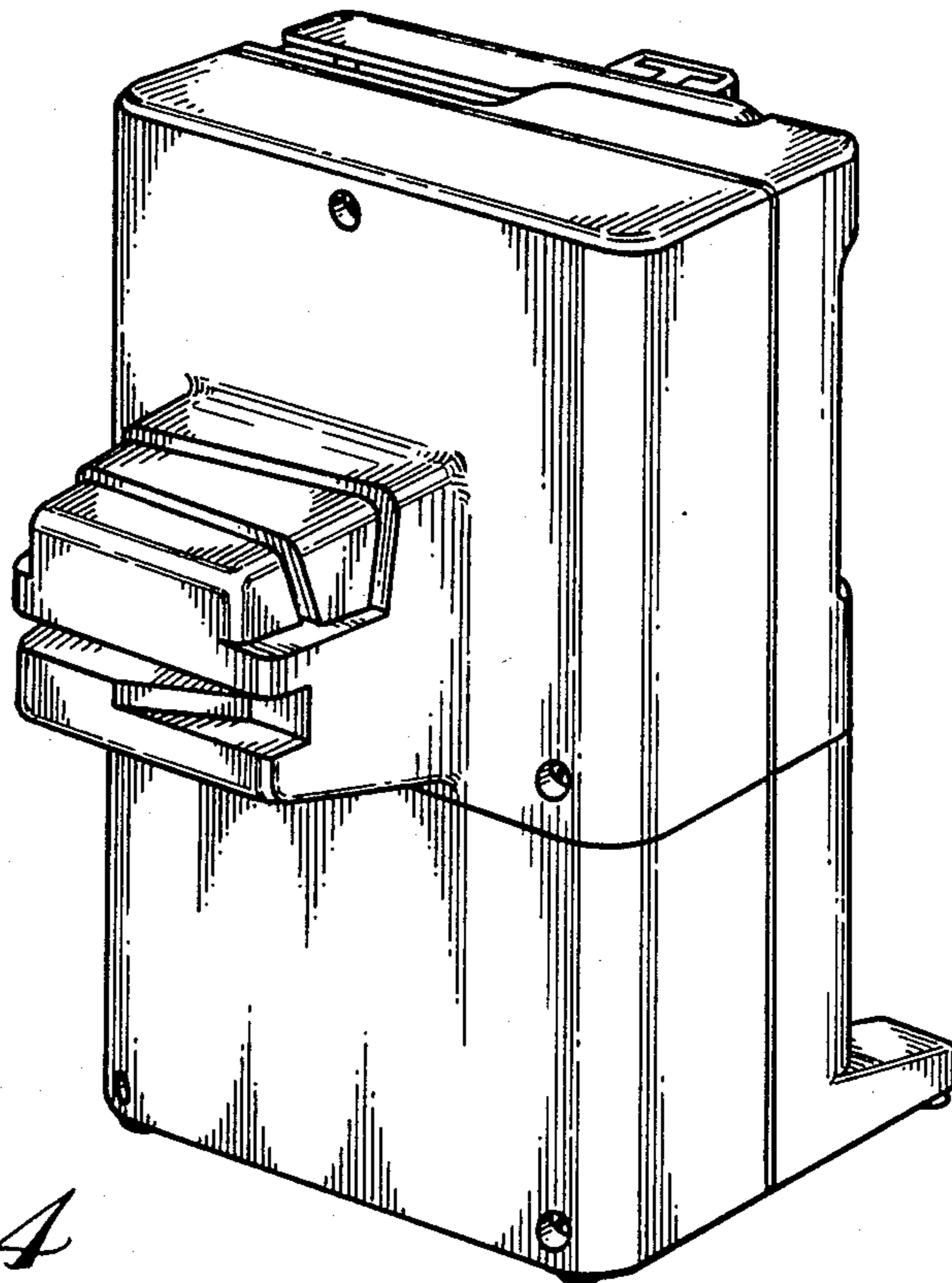


Fig. 4

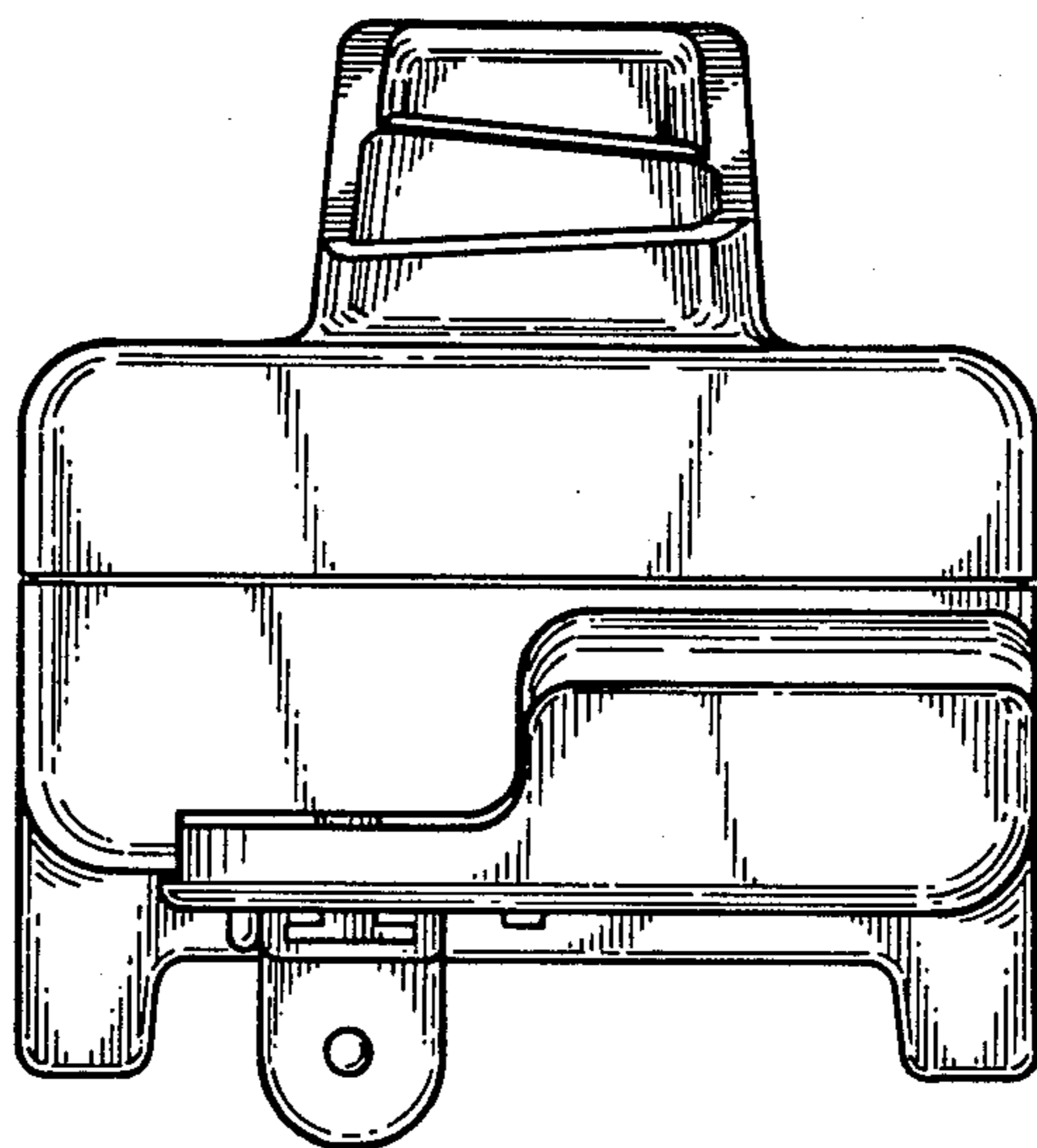


Fig. 5

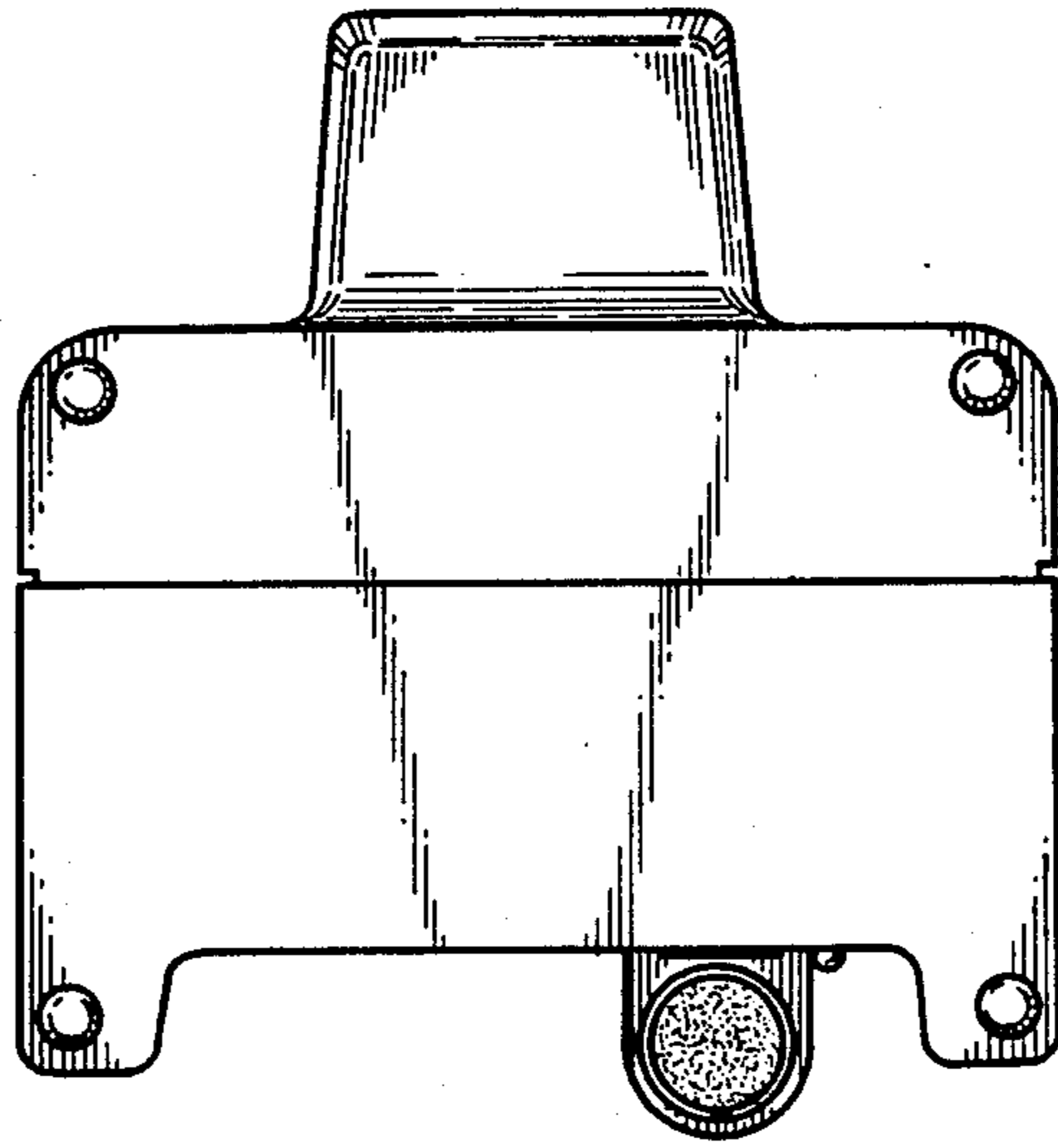


Fig. 6