

[54] **COVERED BUTTER DISH OR THE LIKE**

[75] **Inventors:** Robert H. C. M. Daenen,  
Erembodgem; Pieter K. J. DeCoster,  
Aalst; both of Belgium

[73] **Assignee:** Dart Industries Inc., Deerfield, Ill.

[\*\*] **Term:** 14 Years

[21] **Appl. No.:** 878,442

[22] **Filed:** Jun. 25, 1986

[52] **U.S. Cl.** ..... D7/84

[58] **Field of Search** ..... D7/84, 82, 83, 16;  
D9/414, 423-424, 430, 432; 220/352; 206/557;  
62/457, 371

[56] **References Cited**

**U.S. PATENT DOCUMENTS**

D. 258,722 3/1981 Comisso et al. .... D9/423  
3,863,833 2/1975 Swett et al. .... 206/557

**OTHER PUBLICATIONS**

Tupperware Catalog, 4/76, p. 14, Item F10 Bread Server.

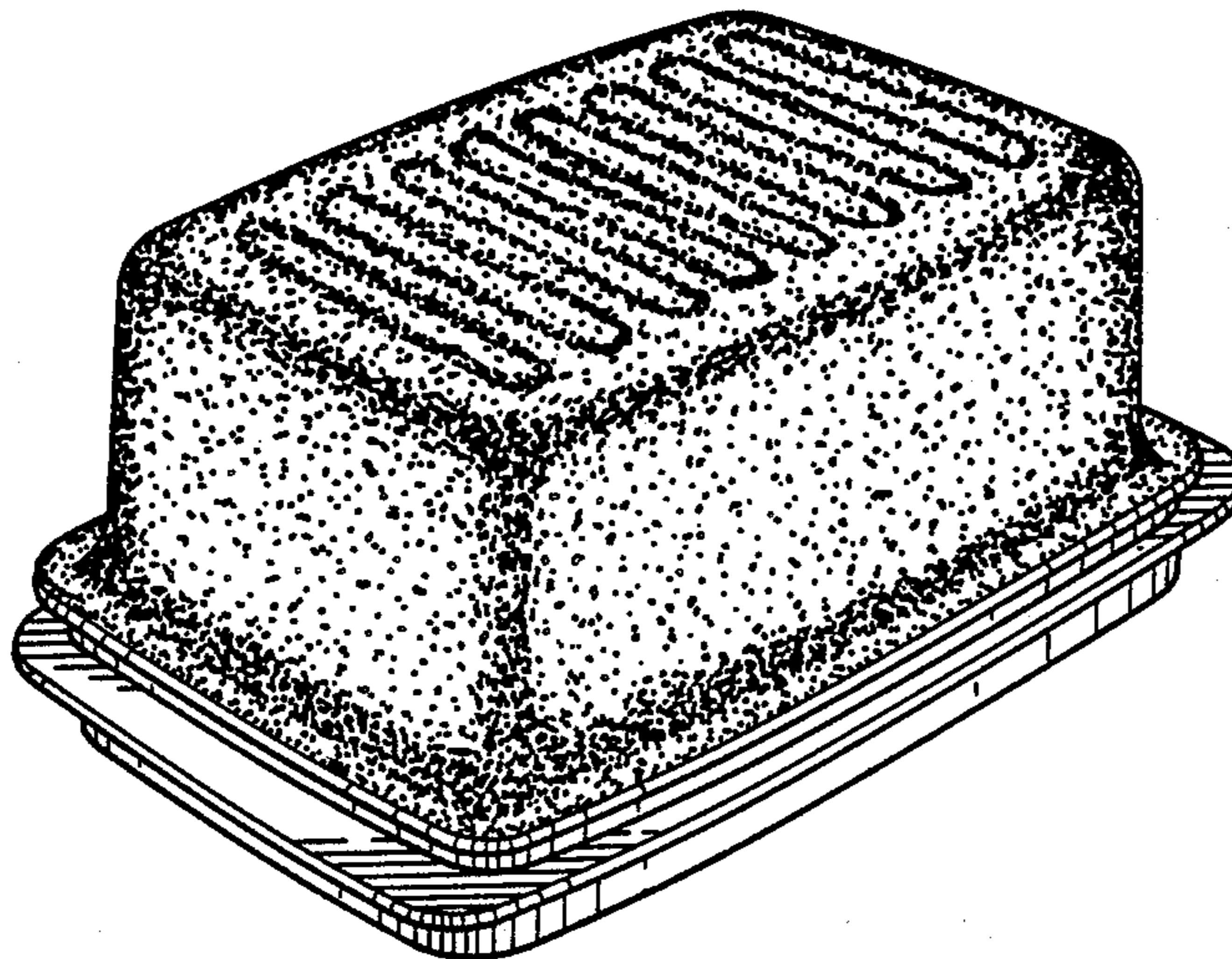
*Primary Examiner*—Bernard Ansher  
*Assistant Examiner*—Terry A. Pfeffer  
*Attorney, Agent, or Firm*—John A. Doninger

[57] **CLAIM**

The ornamental design for a covered butter dish or the like, as shown and described.

**DESCRIPTION**

FIG. 1 is a top perspective view of the covered butter dish or the like showing our new design;  
FIG. 2 is a top plan view thereof;  
FIG. 3 is a bottom plan view thereof;  
FIG. 4 is an exploded side elevational view thereof;  
FIG. 5 is an exploded end elevational view thereof;  
FIG. 6 is a plan view of the butter dish with the cover removed for clarity of illustration; and  
FIG. 7 is a cross-sectional view taken along line 7—7 of FIG. 2.



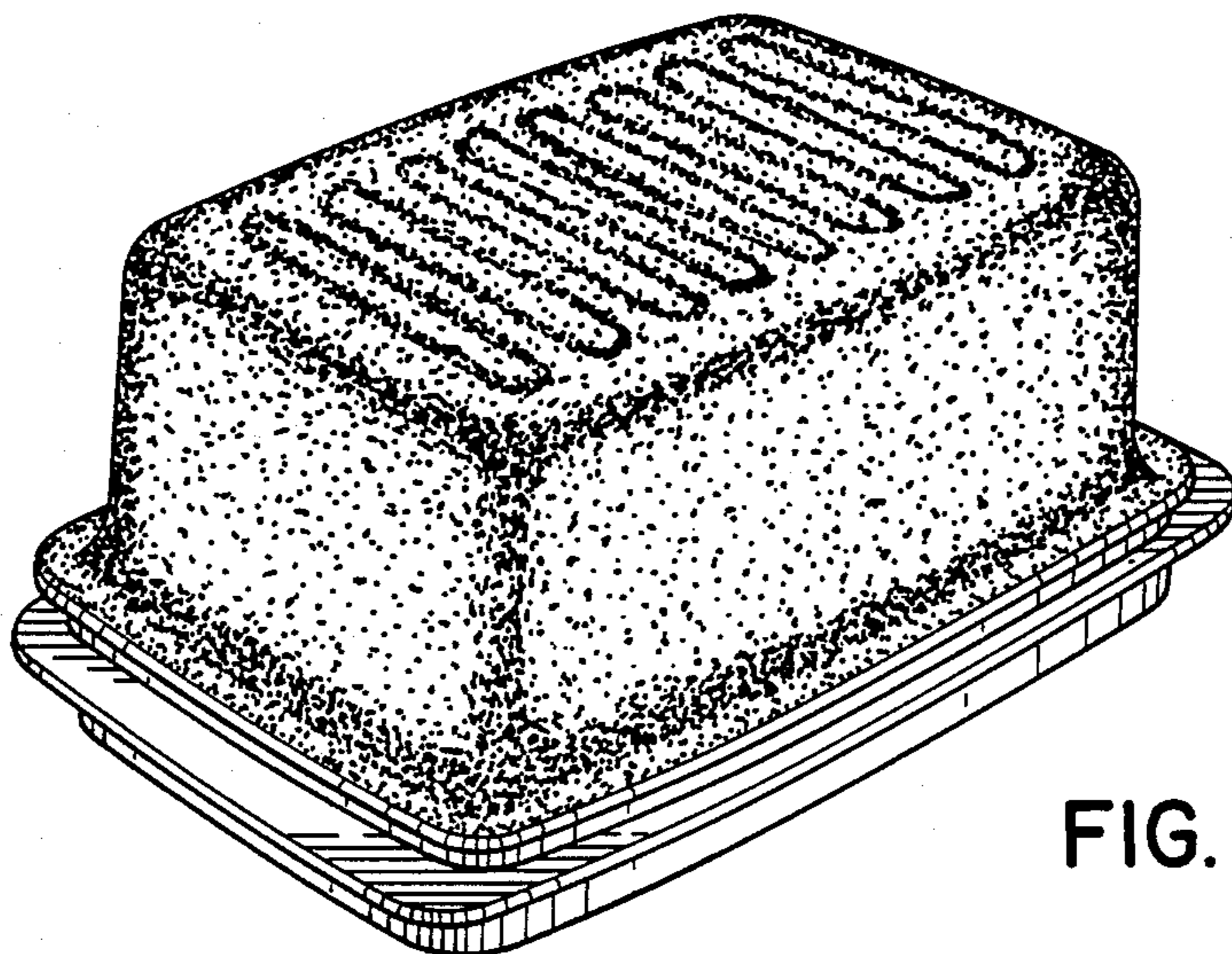


FIG. 1

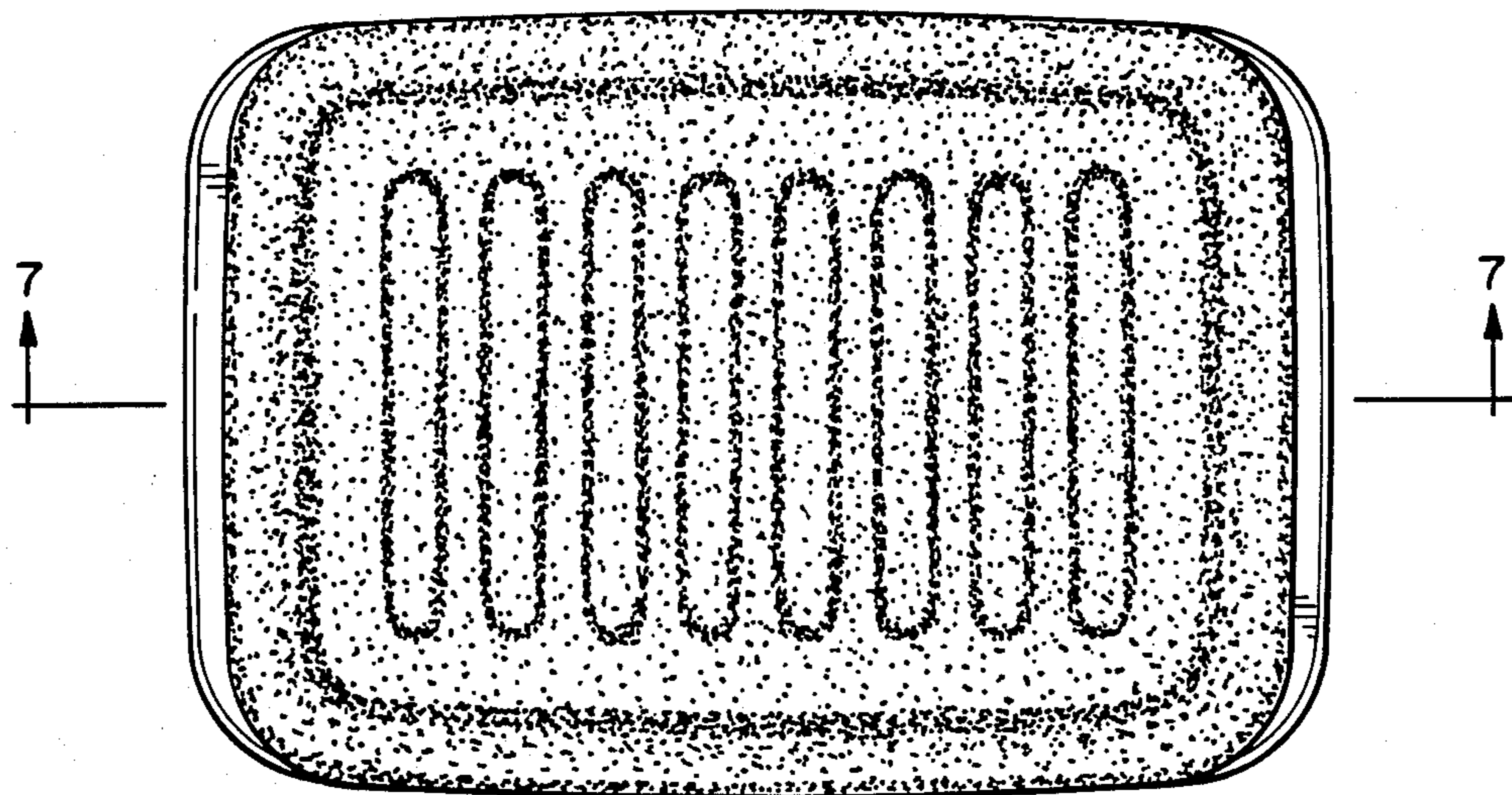


FIG. 2

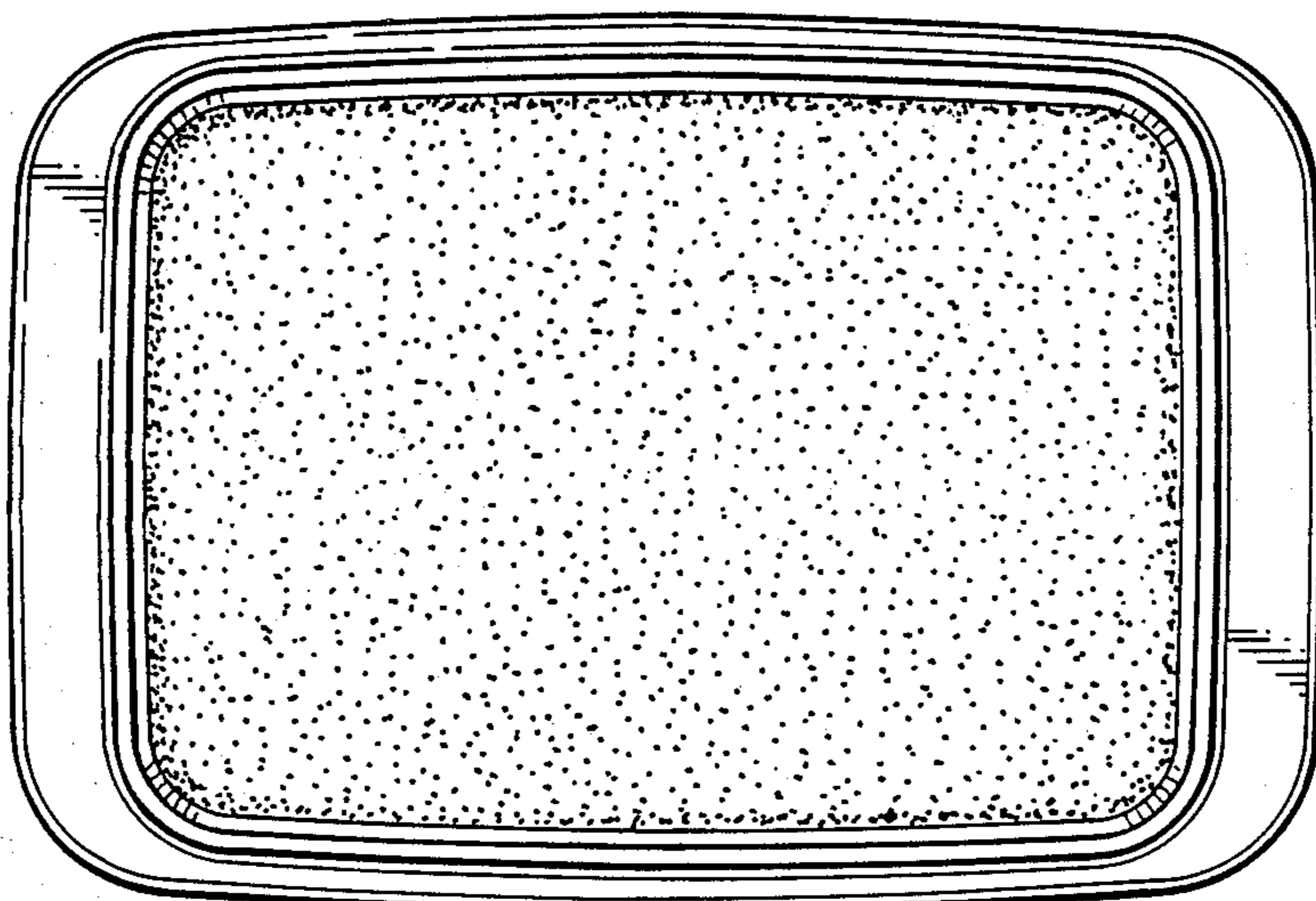
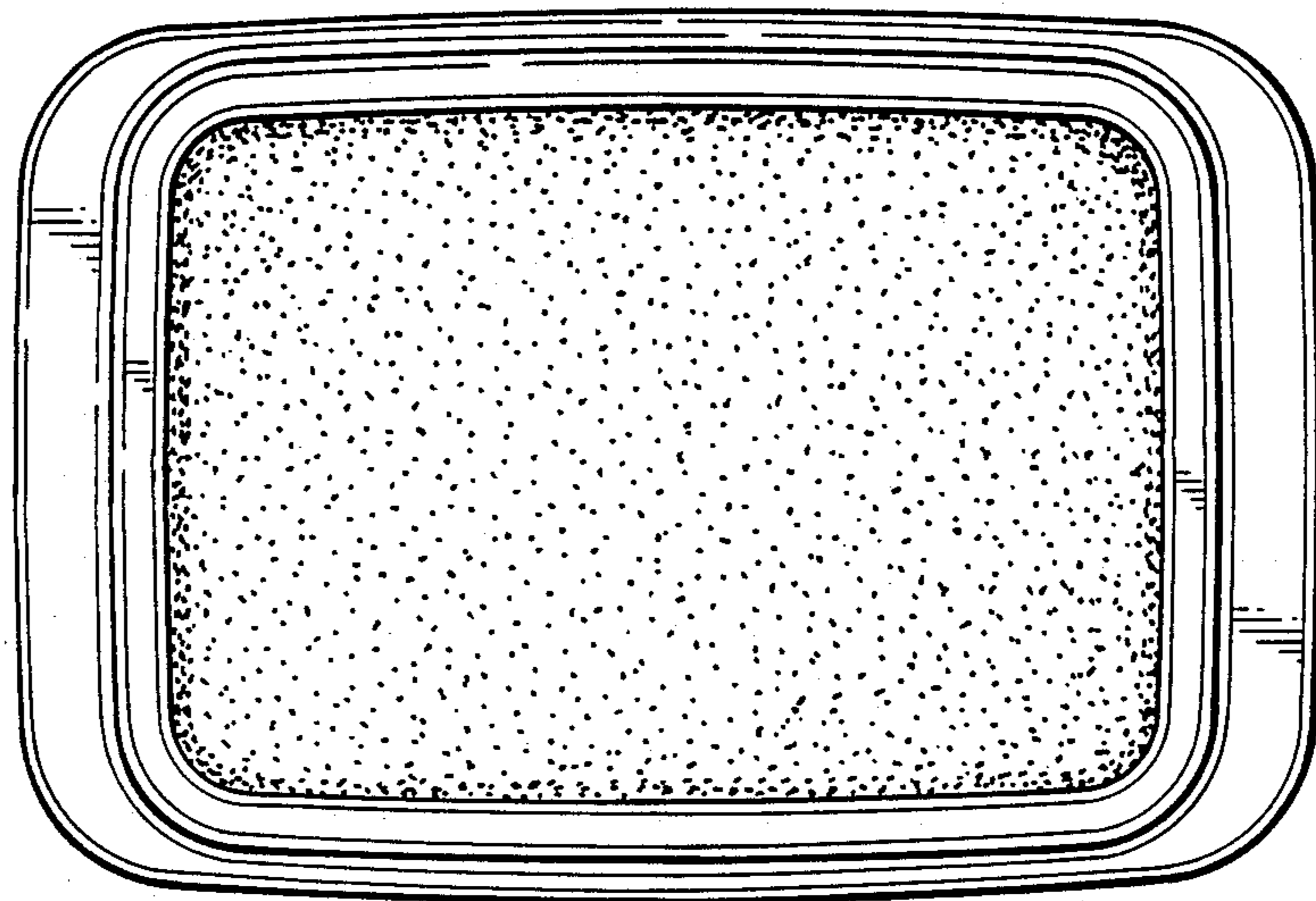
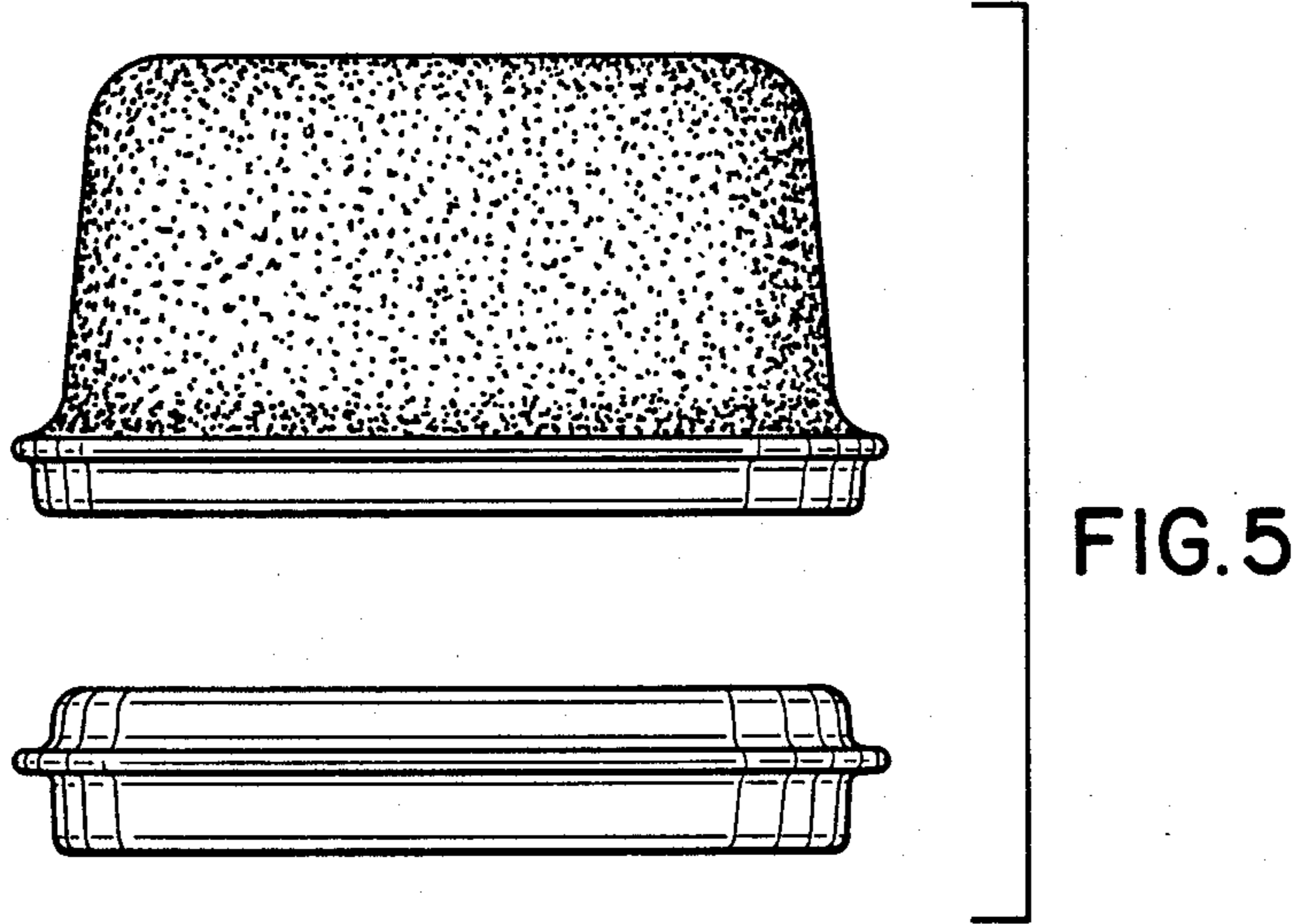
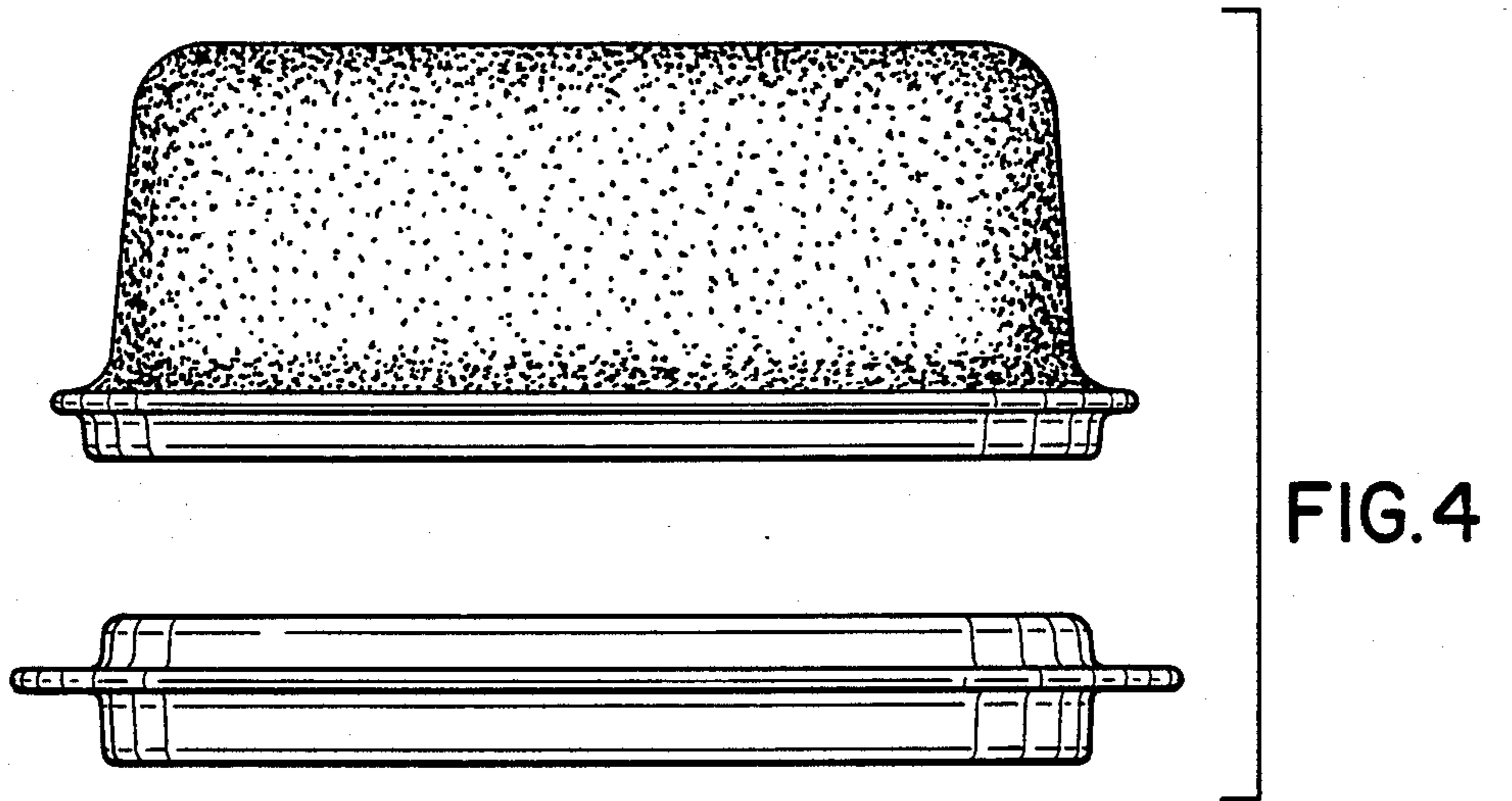


FIG. 3



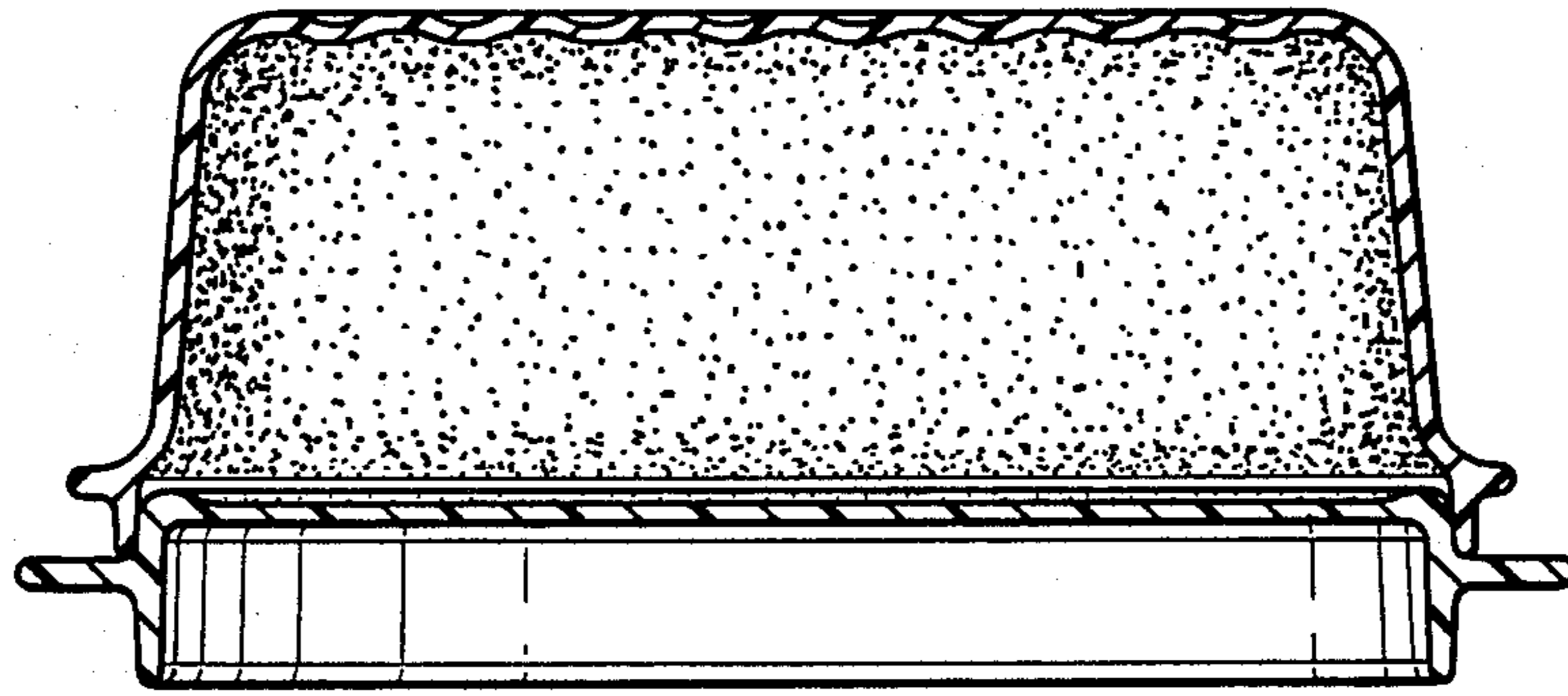


FIG. 7