

[54] **BEVERAGE MUG**

[75] **Inventors:** Charles H. Feltman, III, Pacific Palisades; Dirk Langer, Venice, both of Calif.

[73] **Assignee:** 2nd Wave, A California General Partnership, Venice, Calif.

[**] **Term:** 14 Years

[21] **Appl. No.:** 931,174

[22] **Filed:** Nov. 14, 1986

[52] **U.S. Cl.** D7/9

[58] **Field of Search** D8/300, 307; D9/378, D9/380, 381, 383; D7/9, 39, 319, 394, 20, 10, 393; 220/94 R, 94 A

[56] **References Cited**

U.S. PATENT DOCUMENTS

- D. 100,871 8/1936 Marcus D8/300
- D. 160,567 10/1950 Wylie D7/9
- D. 191,464 10/1961 Skupien D7/9

- D. 257,580 12/1980 Hayes D9/383
- D. 258,796 4/1981 Paulides D7/10
- D. 279,948 8/1985 Weernink D7/9

OTHER PUBLICATIONS

Housewares Review, Oct., 1966, p. 71, Lipper & Mann, Inc. Mugs, top center Mug/2 finger handle.

Primary Examiner—Winifred E. Herrmann
Attorney, Agent, or Firm—Thomas I. Rozsa

[57] **CLAIM**

The ornamental design for a beverage mug, as shown and described.

DESCRIPTION

FIG. 1 is a perspective view of a beverage mug showing our new design.

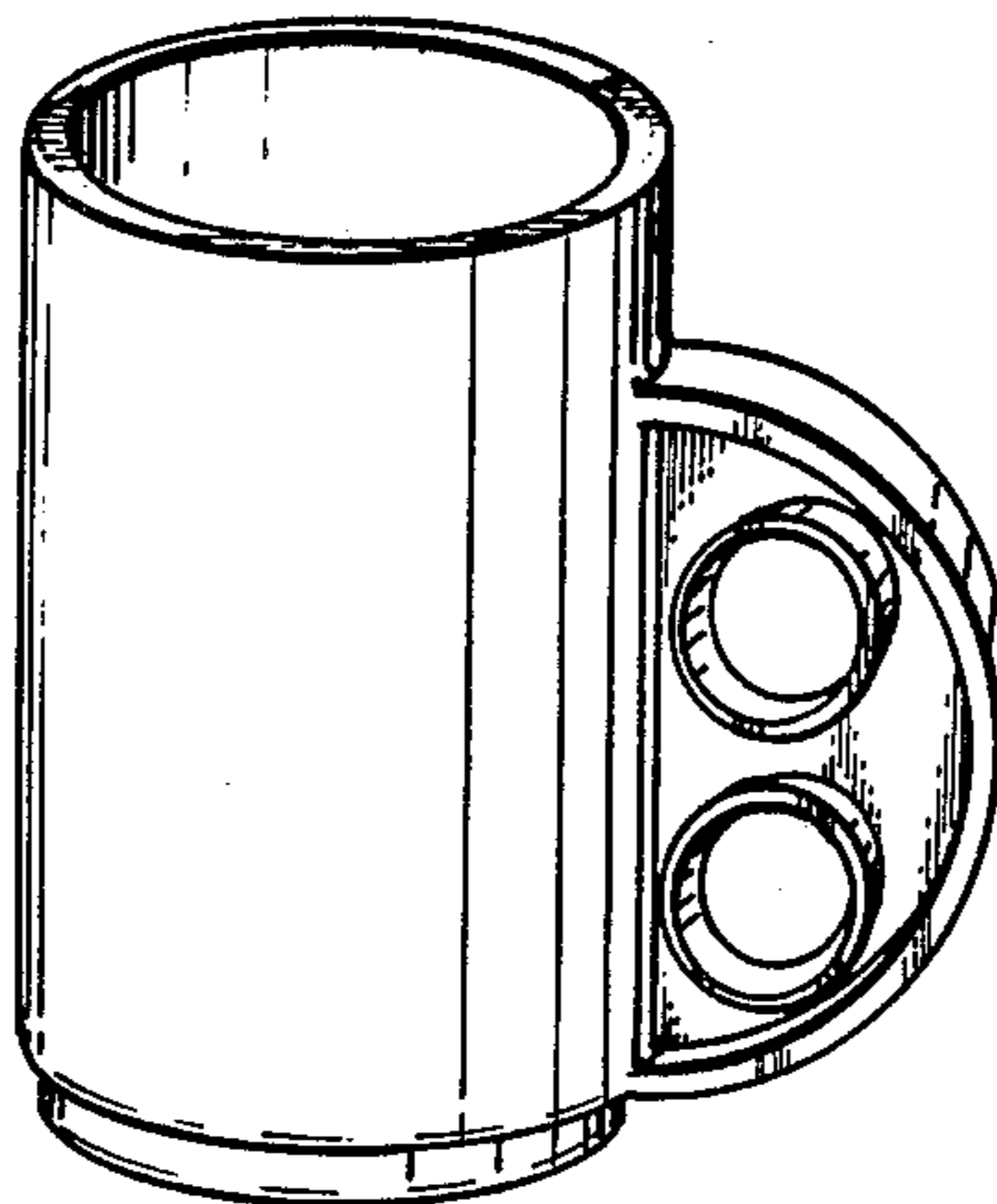
FIG. 2 is a side elevational view, with both sides being a mirror image.

FIG. 3 is a front elevational view.

FIG. 4 is a rear elevational view.

FIG. 5 is a top plan view.

FIG. 6 is a bottom plan view.



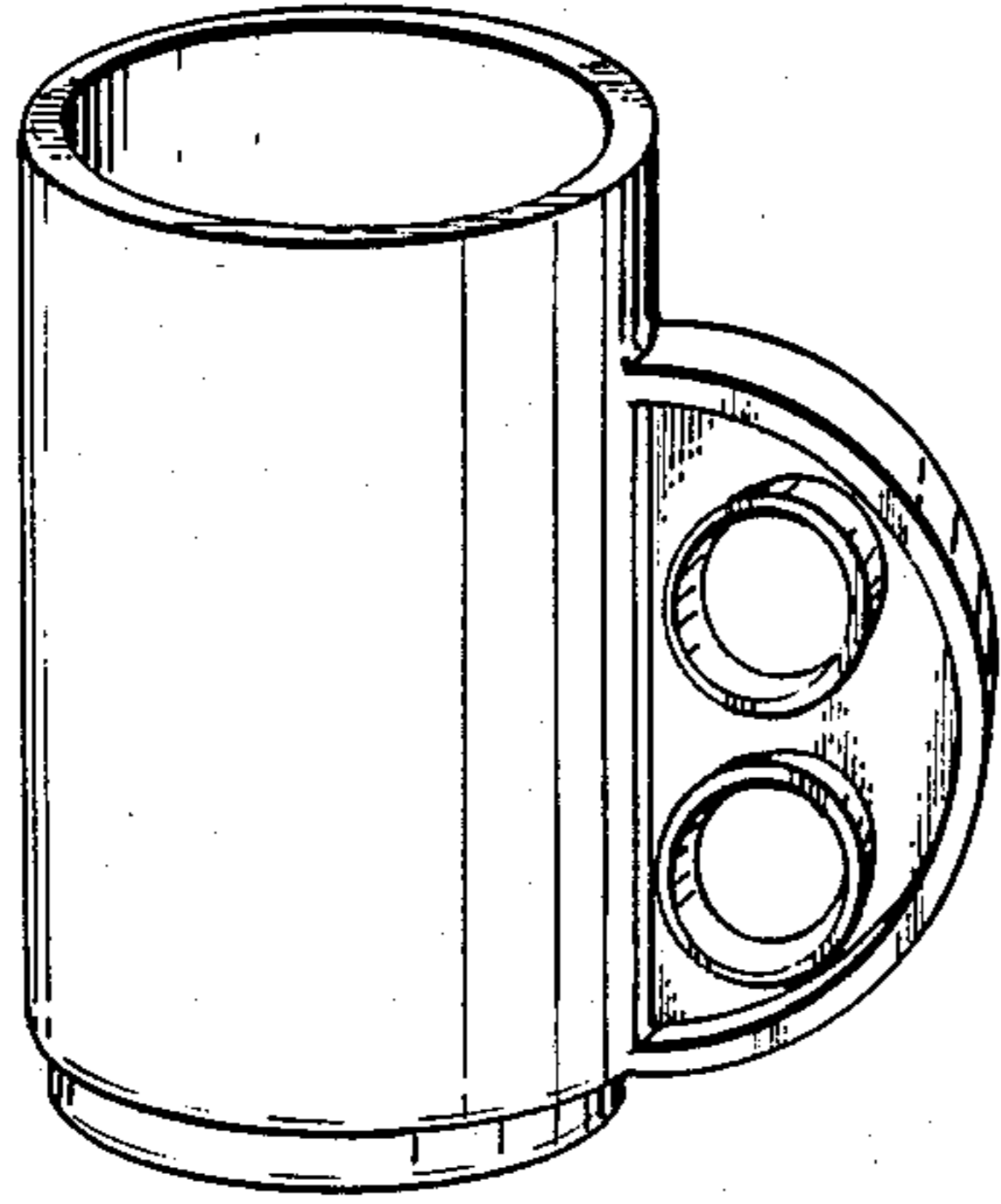


Fig. 1.

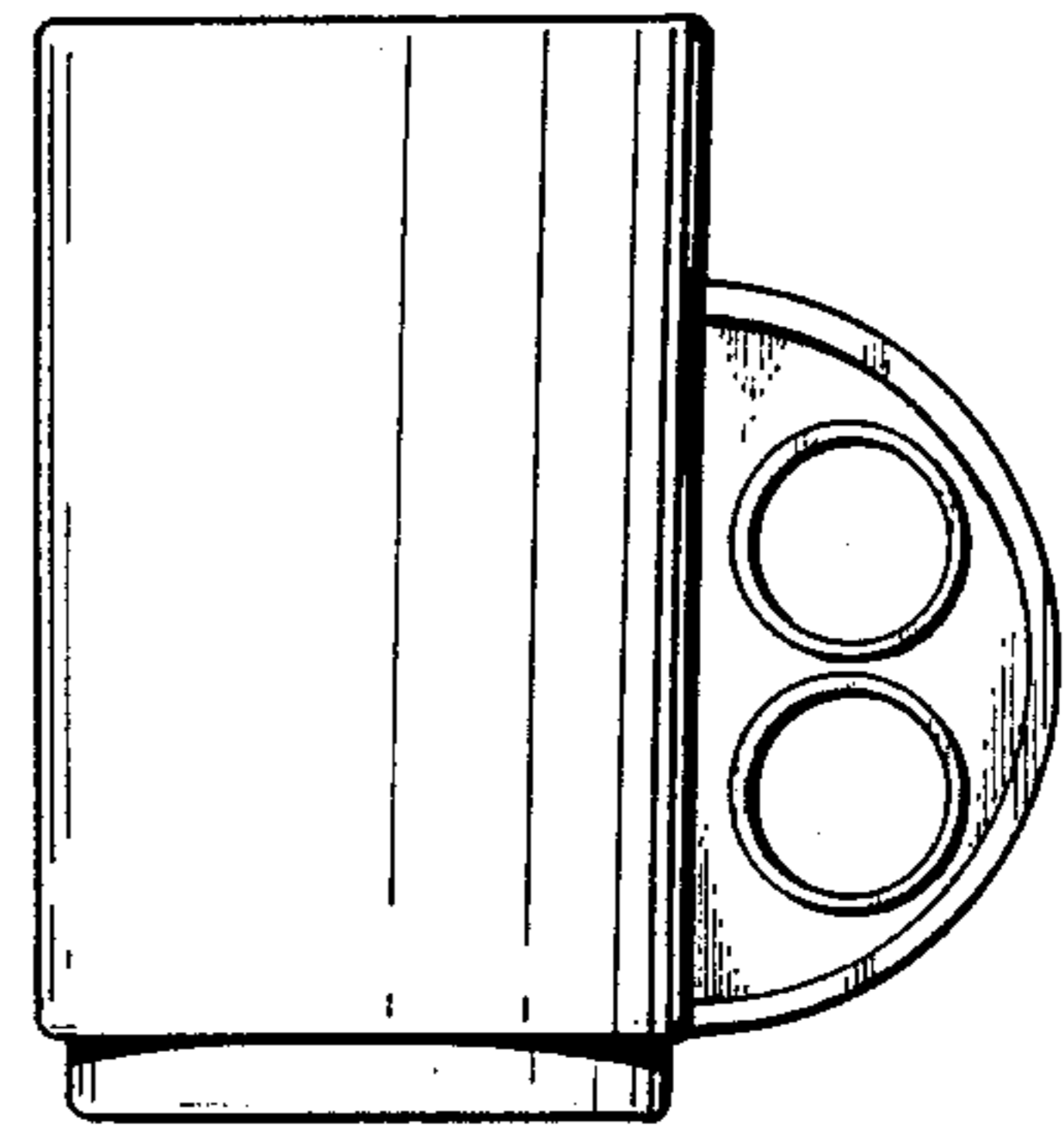


Fig. 2.

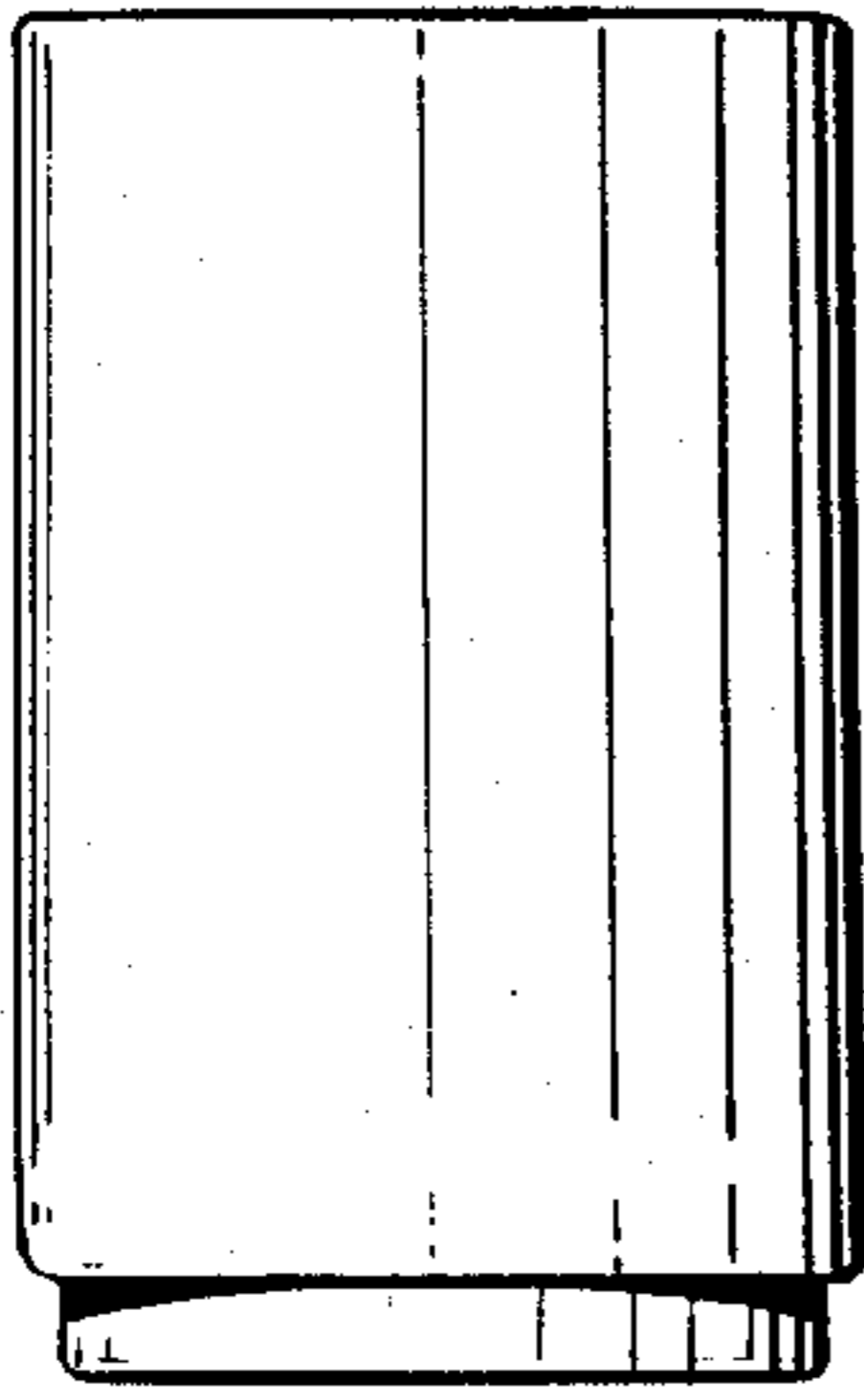


Fig. 3.

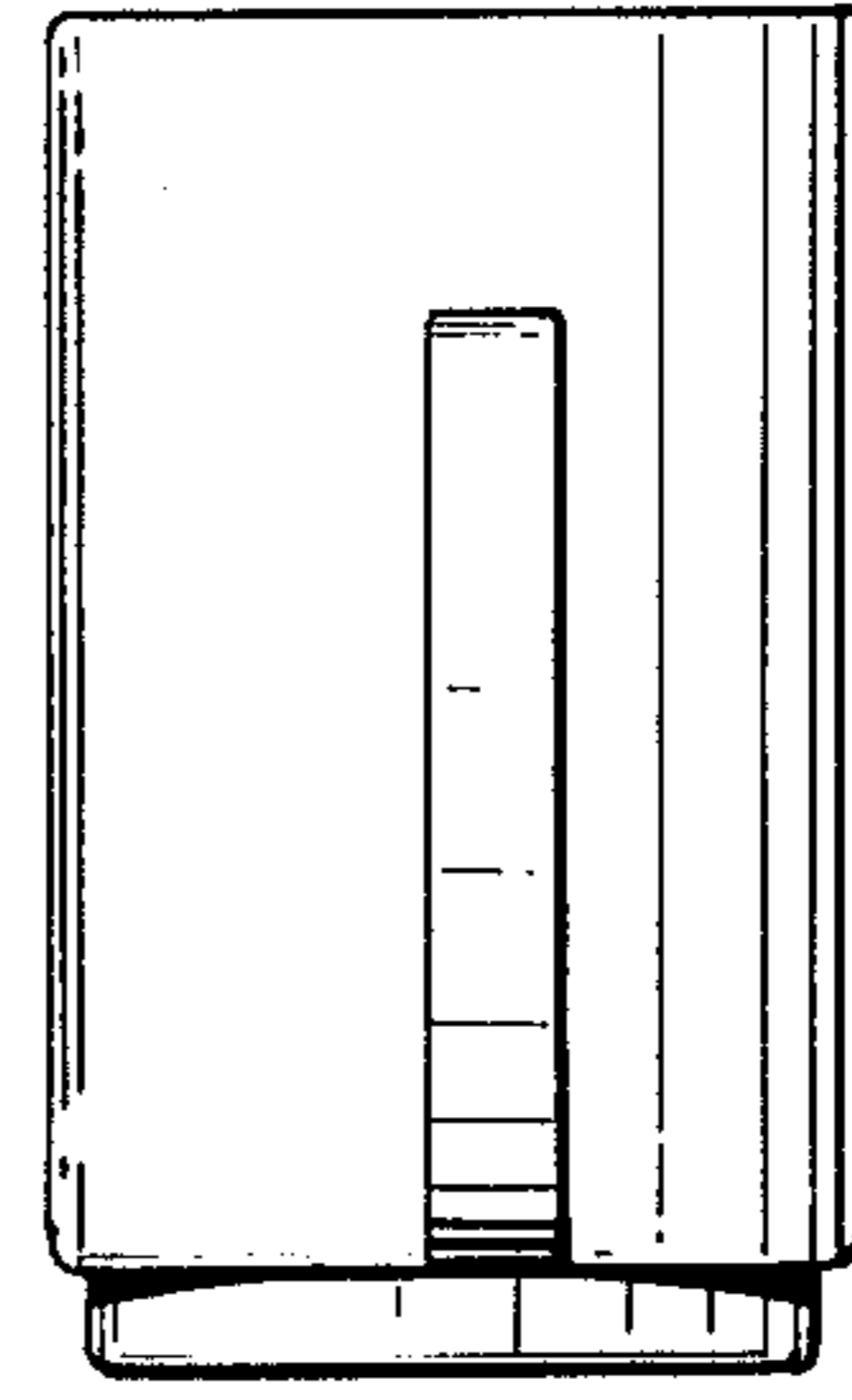


Fig. 4.

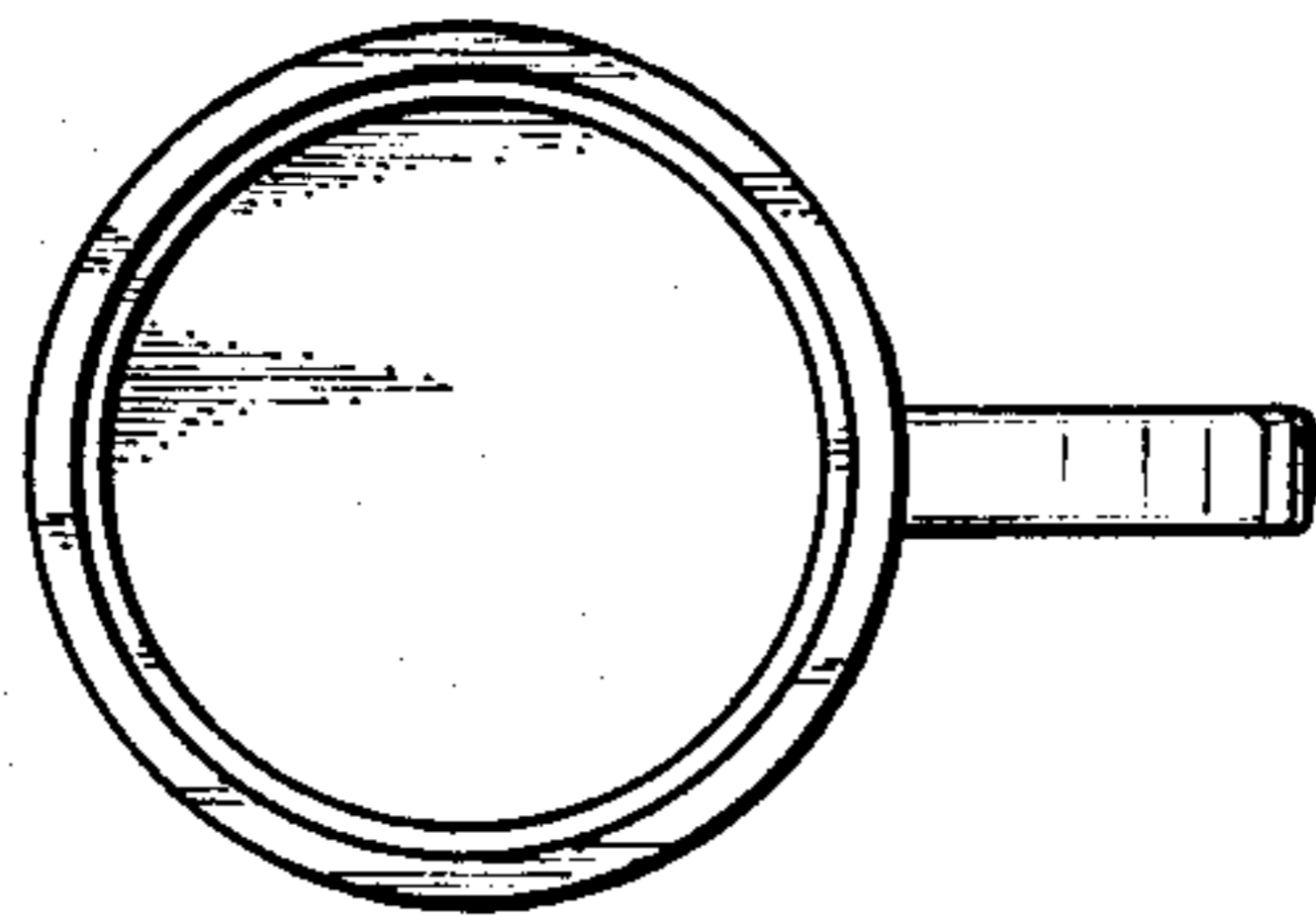


Fig. 5.

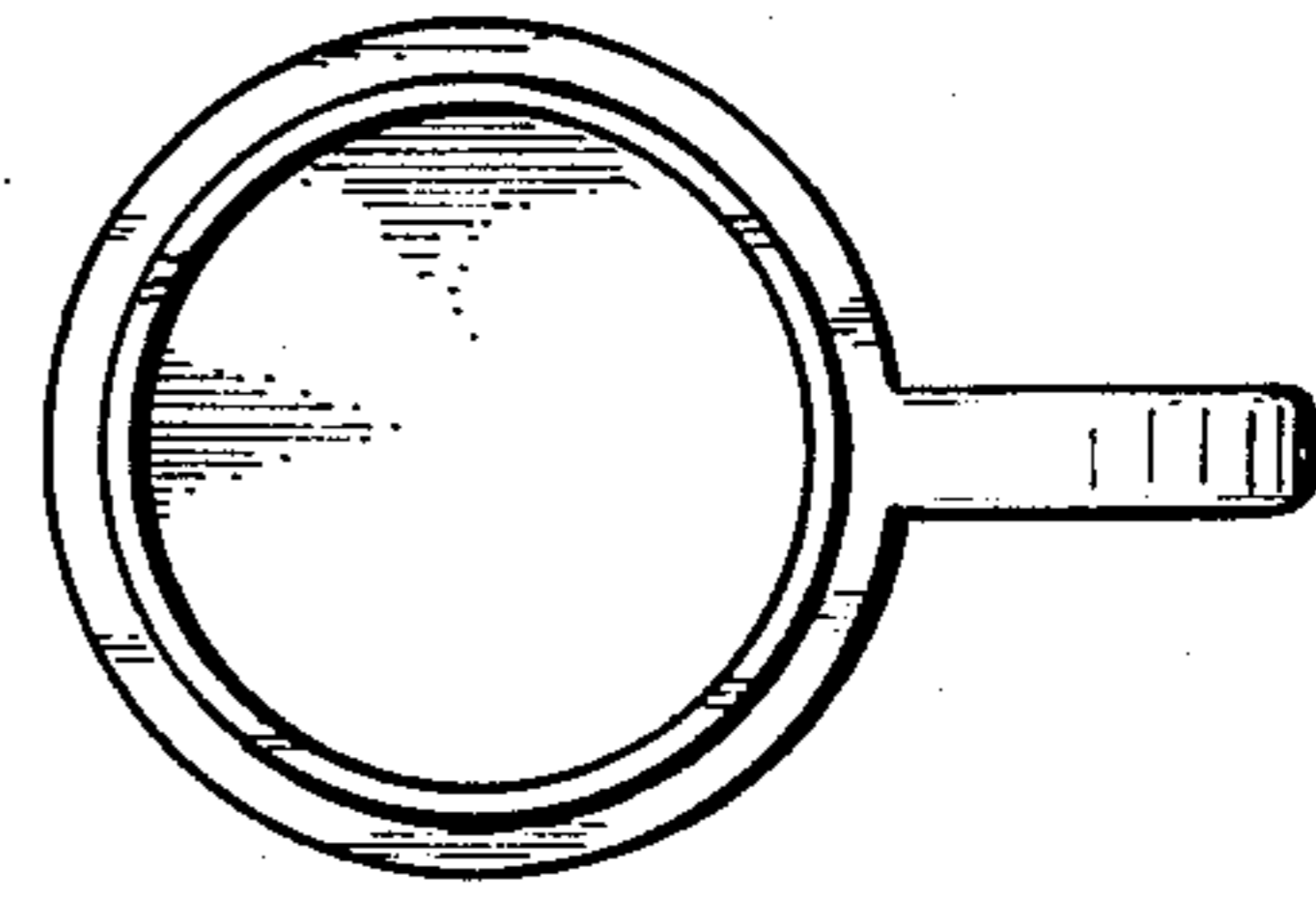


Fig. 6.