

[54] COMBINED CABINET AND MULTIPLE STORAGE UNIT

[76] Inventor: Jeng-Tuu Hwang, No. 3, Kuo-Tai Street, Taichung, Taiwan

[**] Term: 14 Years

[21] Appl. No.: 882,106

[22] Filed: Jul. 3, 1986

[52] U.S. Cl. D6/397; D6/457; D6/460; D6/476; D19/77

[58] Field of Search D6/429, 430, 431, 397, D6/457, 469, 475, 476, 460; D19/77; 211/13

[56] References Cited

U.S. PATENT DOCUMENTS

- D. 39,923 4/1909 Shapiro D6/460
- D. 118,411 1/1940 Dolgorukov D19/77
- D. 119,890 4/1940 Marcantonio D19/77

- D. 132,551 5/1942 Slingsby D6/474
- D. 165,278 7/1924 Kelly D6/457
- D. 183,031 6/1958 Tarte, Jr. D19/77
- D. 250,823 1/1979 Theobald D19/77 X
- D. 289,060 3/1987 Wolff D19/77 X

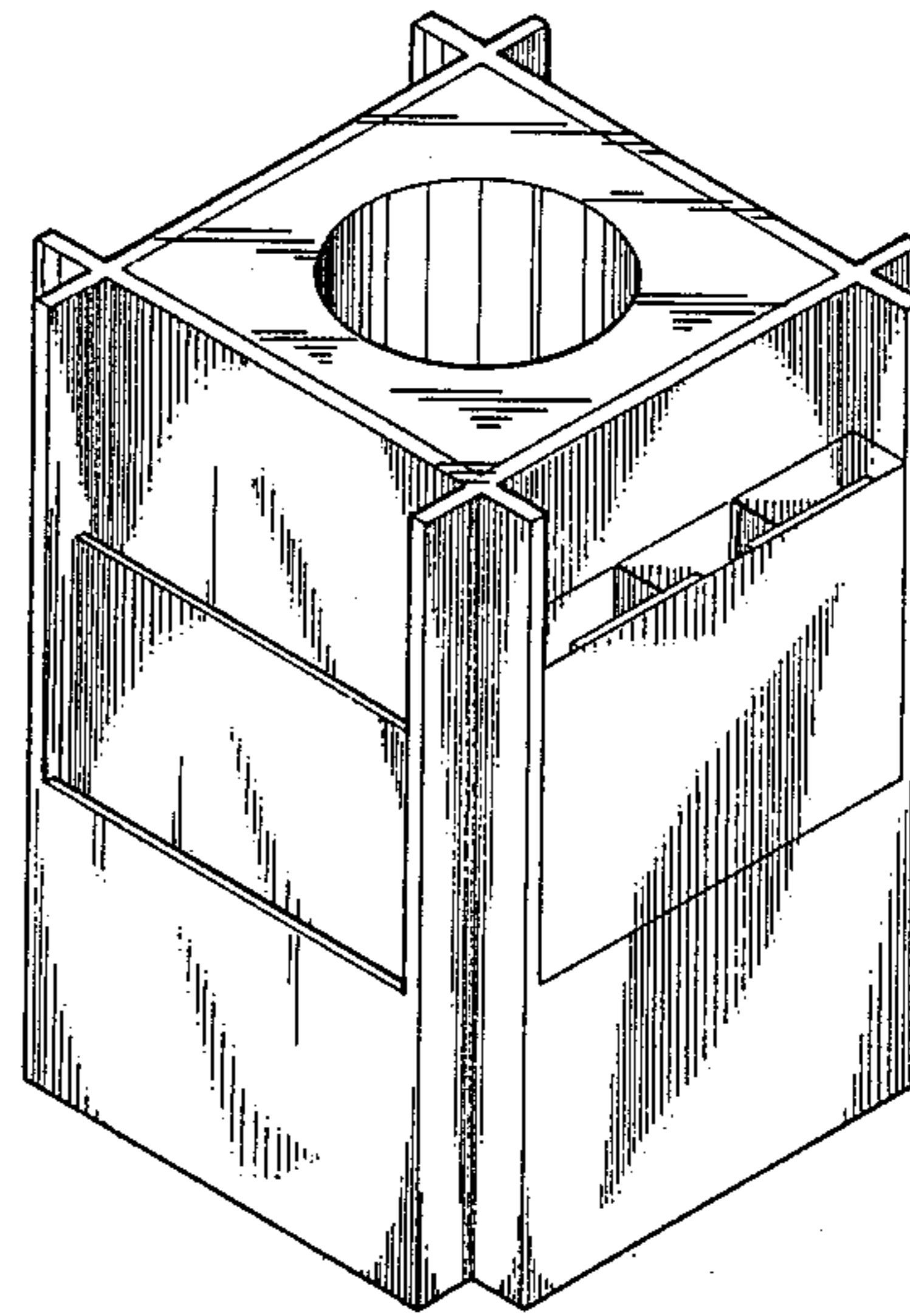
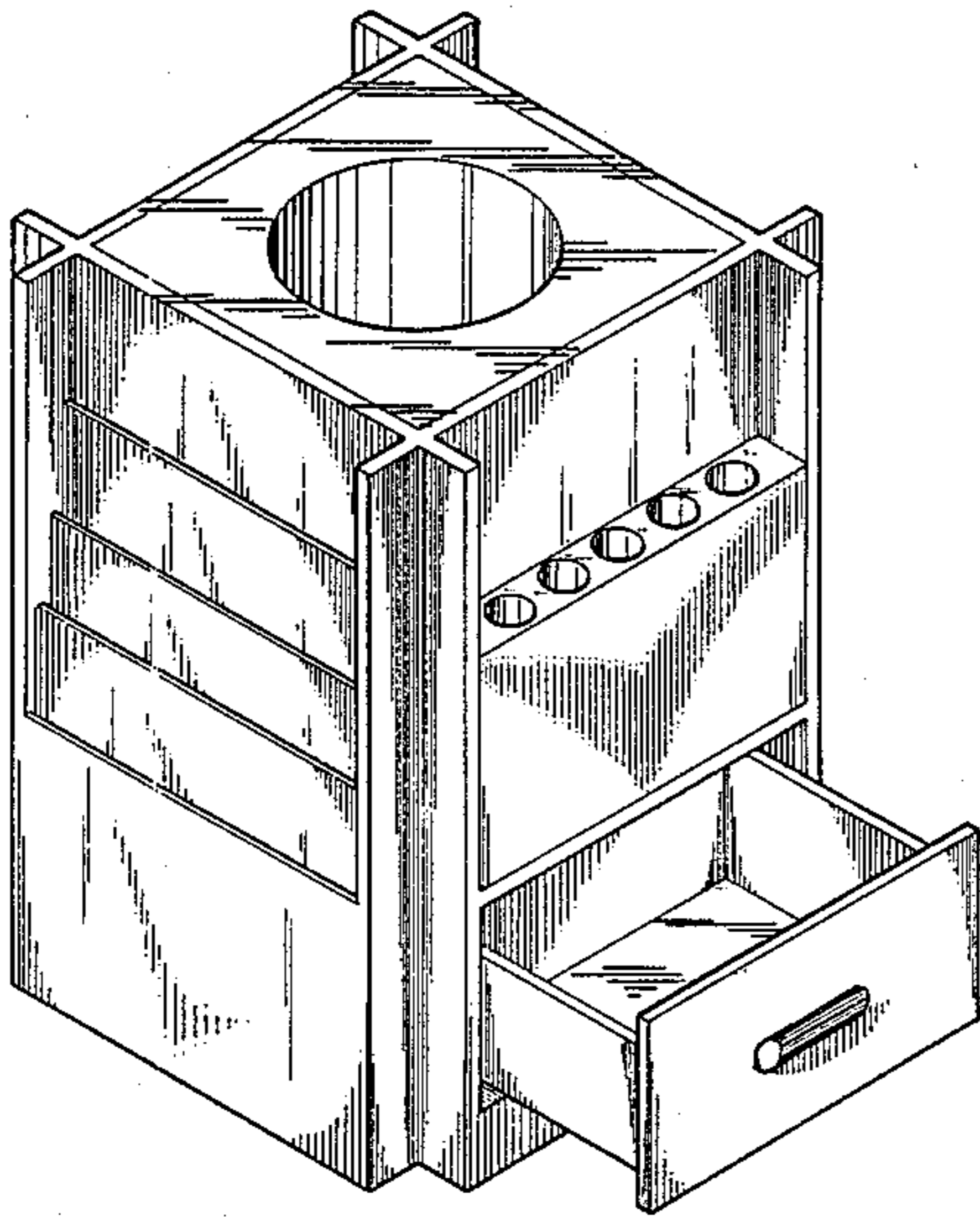
Primary Examiner—Carmen H. Vales-Lado

[57] CLAIM

The ornamental design for a combined cabinet and multiple storage unit, as shown.

DESCRIPTION

FIG. 1 is a front perspective view of a combined cabinet and multiple storage unit showing my new design; FIG. 2 is a rear perspective view thereof; FIG. 3 is a top plan view thereof; FIG. 4 is a front elevational view thereof; FIG. 5 is a right side elevational view thereof; FIG. 6 is a left side elevational view thereof; FIG. 7 is a rear elevational view thereof; and FIG. 8 is a bottom plan view thereof.



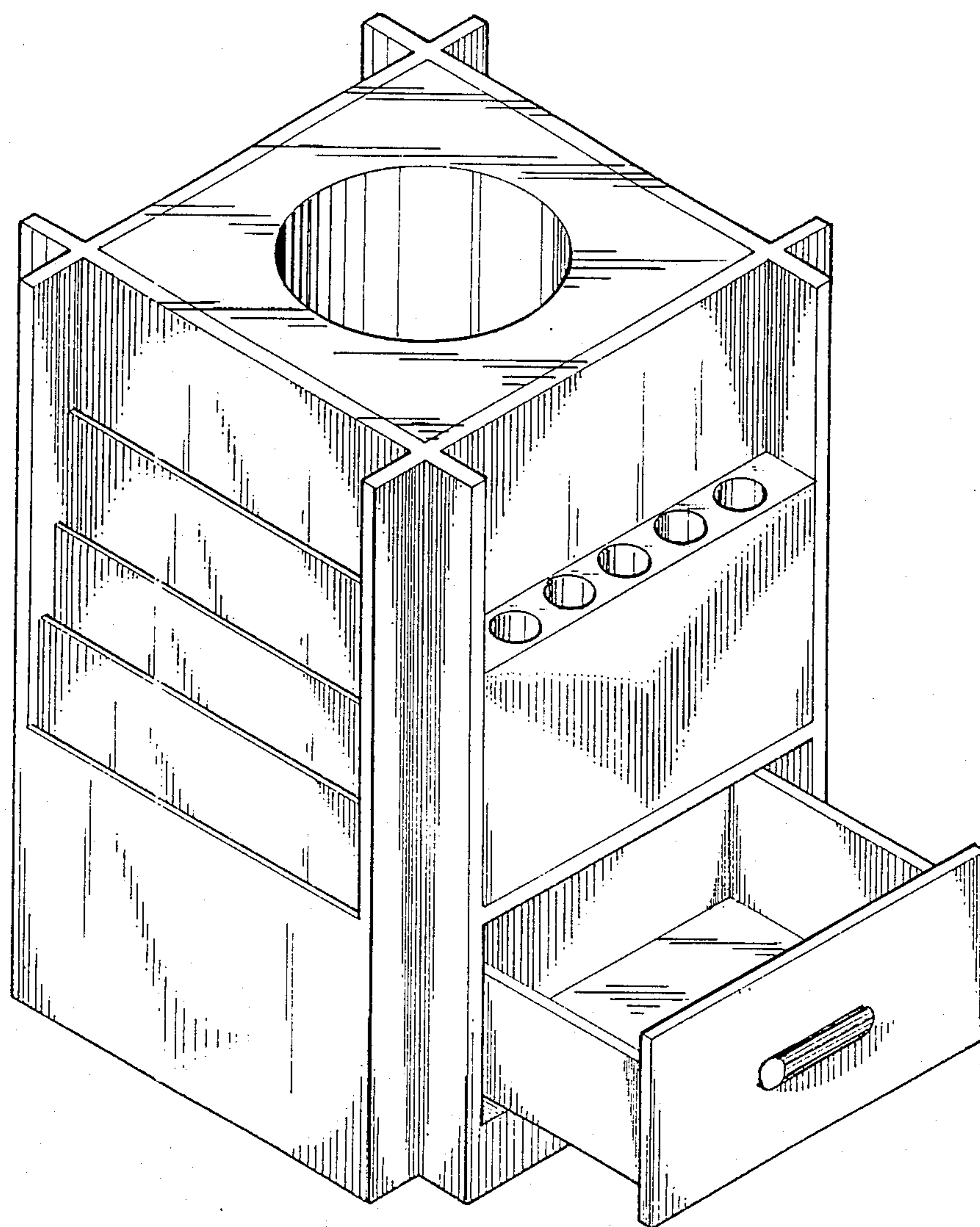


FIG -1-

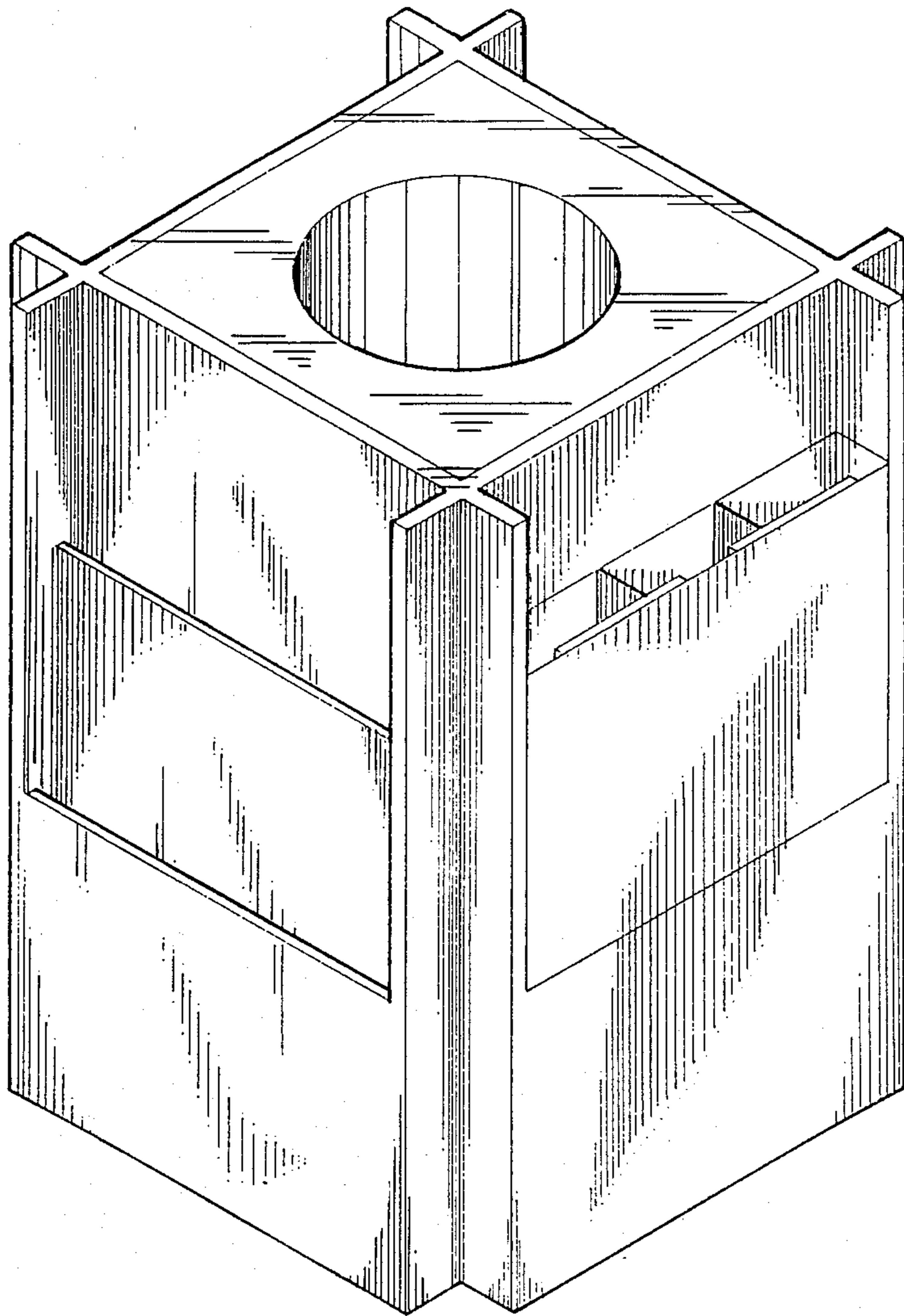


FIG -2-

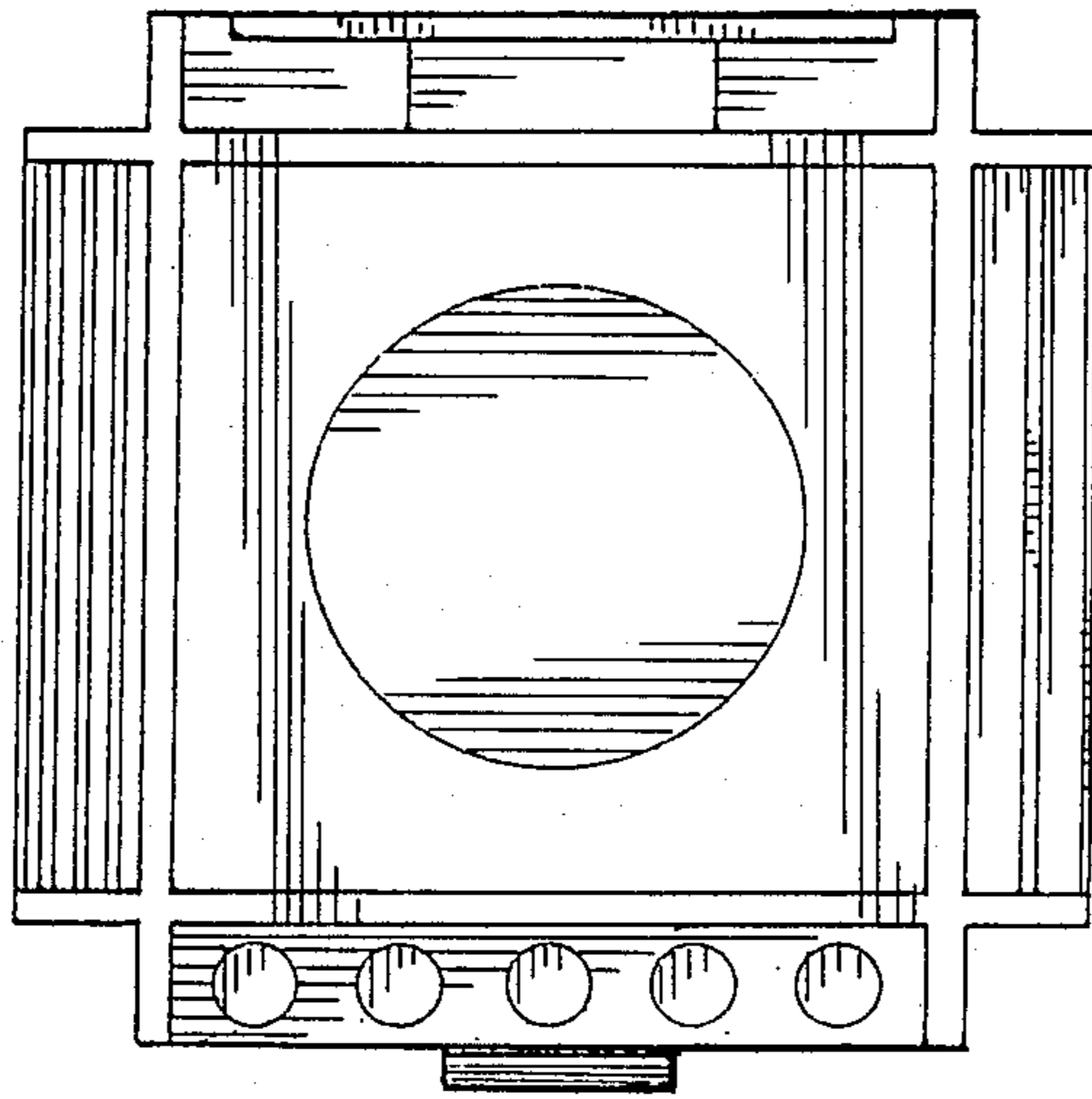


FIG -3-

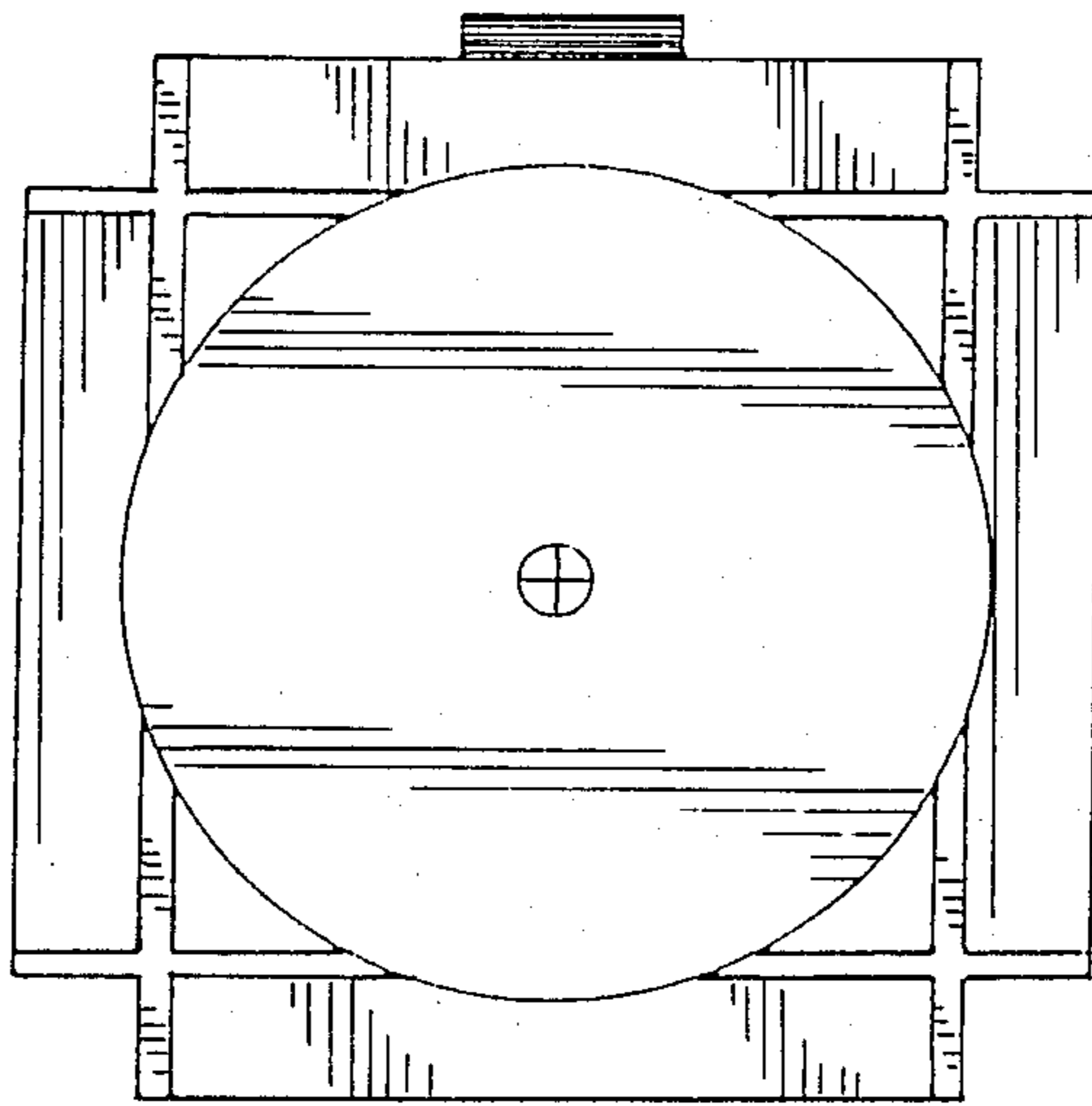


FIG -8-

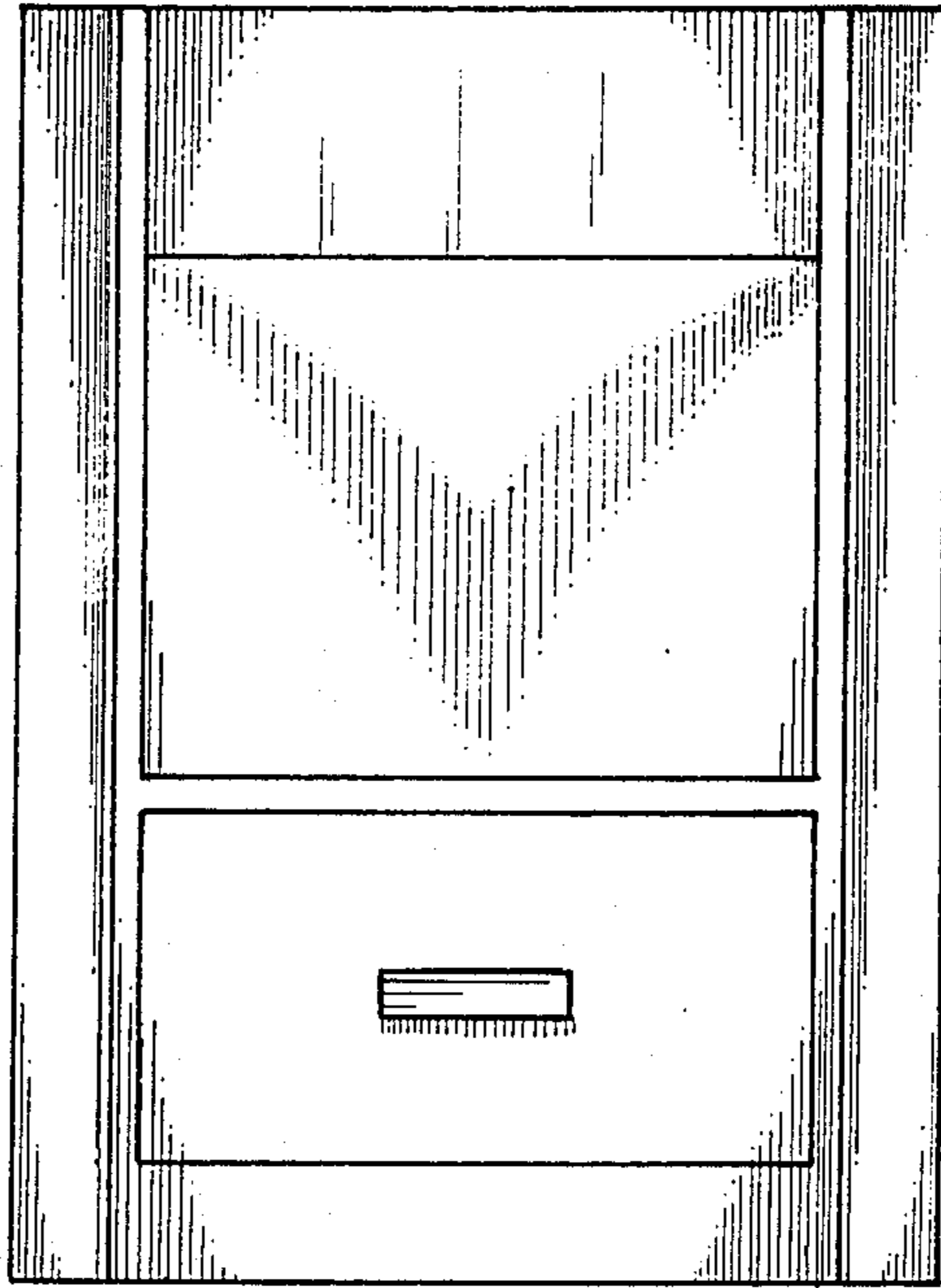


FIG -4-

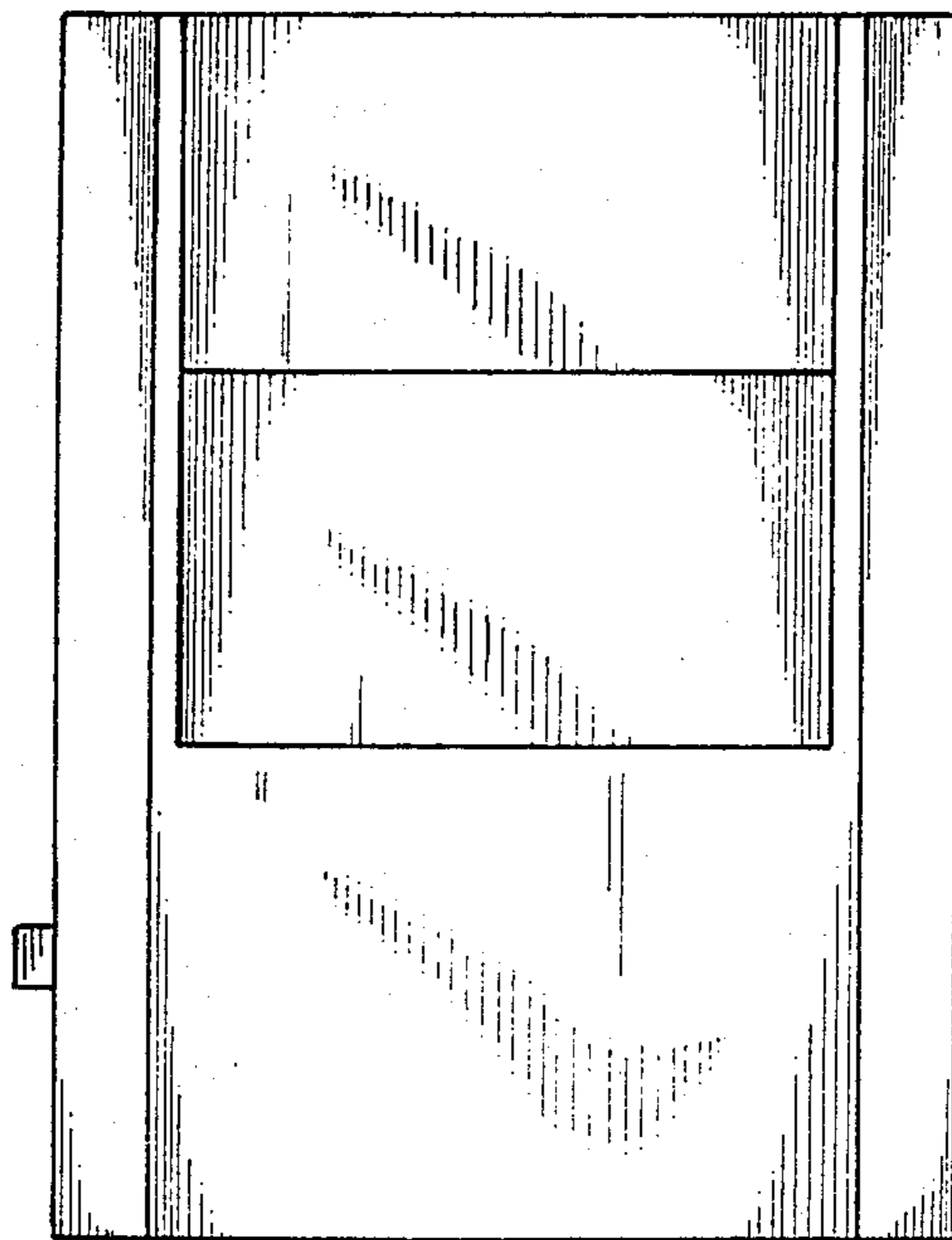


FIG -5-

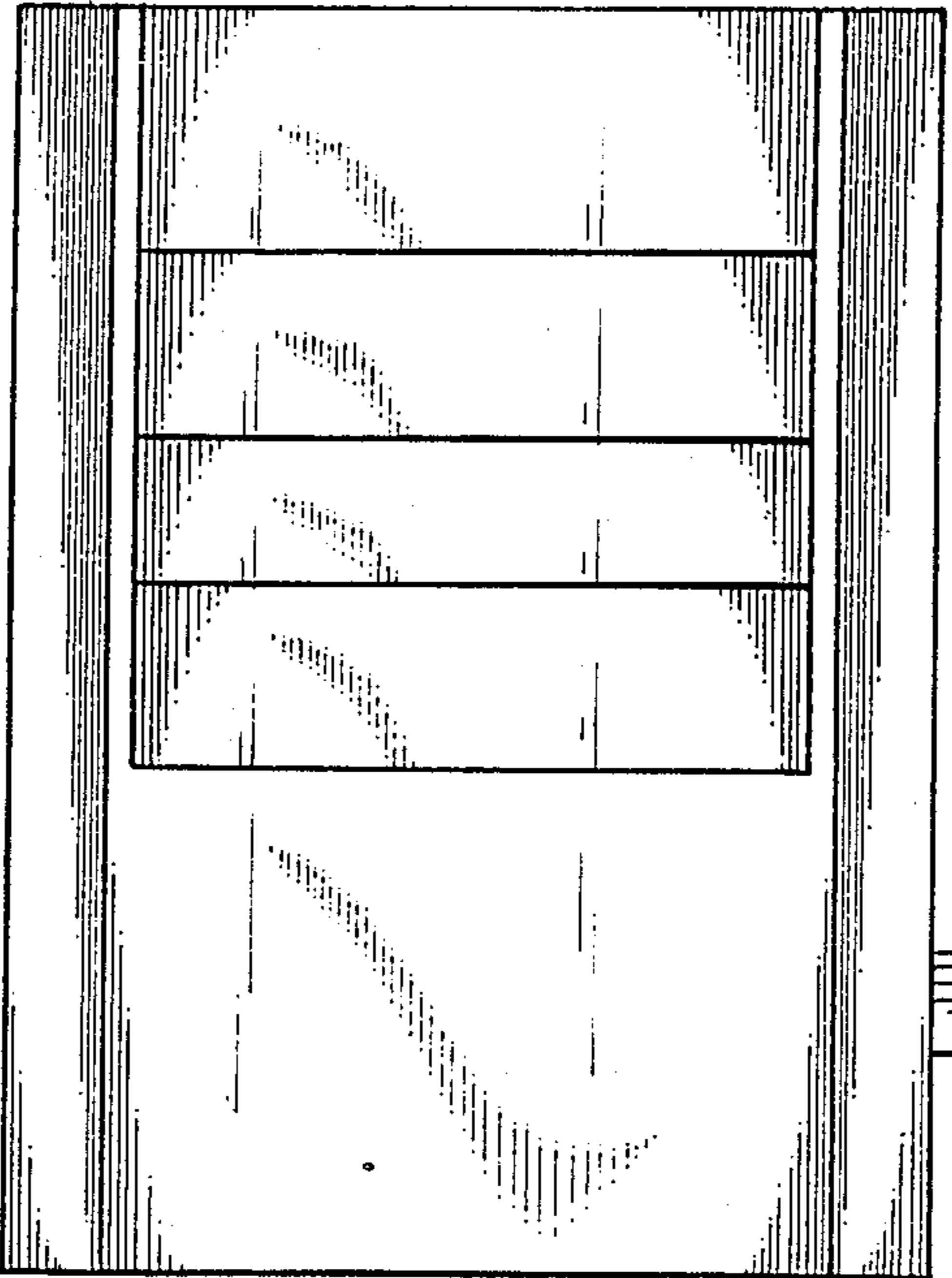


FIG -6-

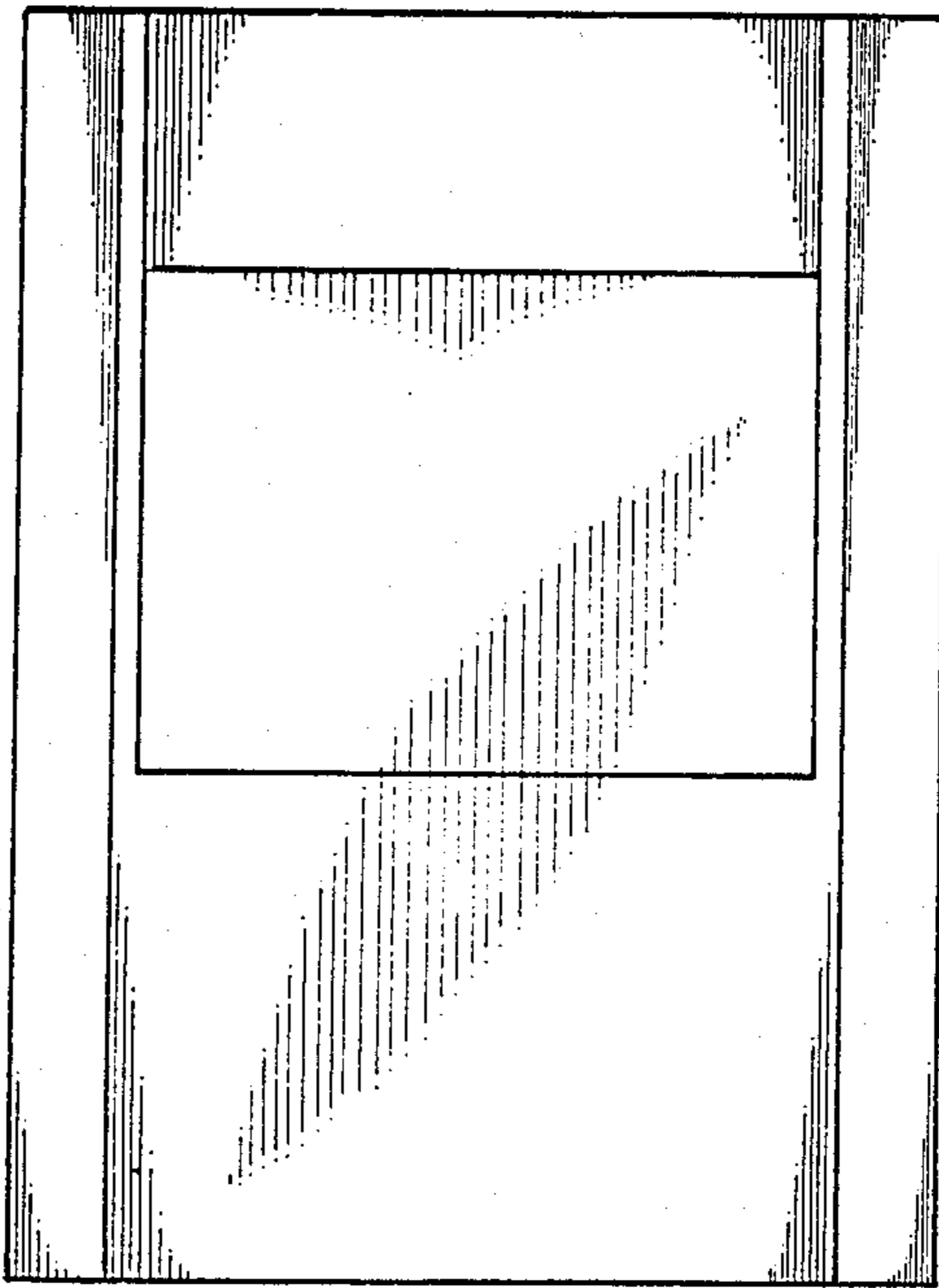


FIG -7-