

[54] CLUSTER TYPE TELEPHONE BOOTH

[75] Inventors: Thomas J. Otto, Gower; Stevens V. Pinkerton, Jr., St. Joseph, both of Mo.

[73] Assignee: Acoustics Development Corporation, St. Joseph, Mo.

[**] Term: 14 Years

[21] Appl. No.: 889,481

[22] Filed: Jul. 23, 1986

[52] U.S. Cl. D6/337; D6/421

[58] Field of Search D25/1, 16; D6/337, 421, D6/423

[56] References Cited

U.S. PATENT DOCUMENTS

- D. 206,998 2/1967 Benjamin D6/337
- D. 223,706 5/1972 Hughes et al. D25/1
- D. 228,162 8/1973 Fink D6/337
- D. 262,762 1/1982 McGarvey et al. D6/421

OTHER PUBLICATIONS

Foodservice Equipment Dealer, Sep. 1969, p. 31, seating at center of page.

ADCO 90-L advertising sheet.

Primary Examiner—A. Hugo Word
Attorney, Agent, or Firm—D. A. N. Chase; Joan Optican Herman

[57] CLAIM

The ornamental design for a cluster type telephone booth, as shown and described.

DESCRIPTION

FIG. 1 is a front perspective view of a cluster type telephone booth showing our new design.

FIG. 2 is a top plan view thereof.

FIG. 3 is a front elevational view thereof.

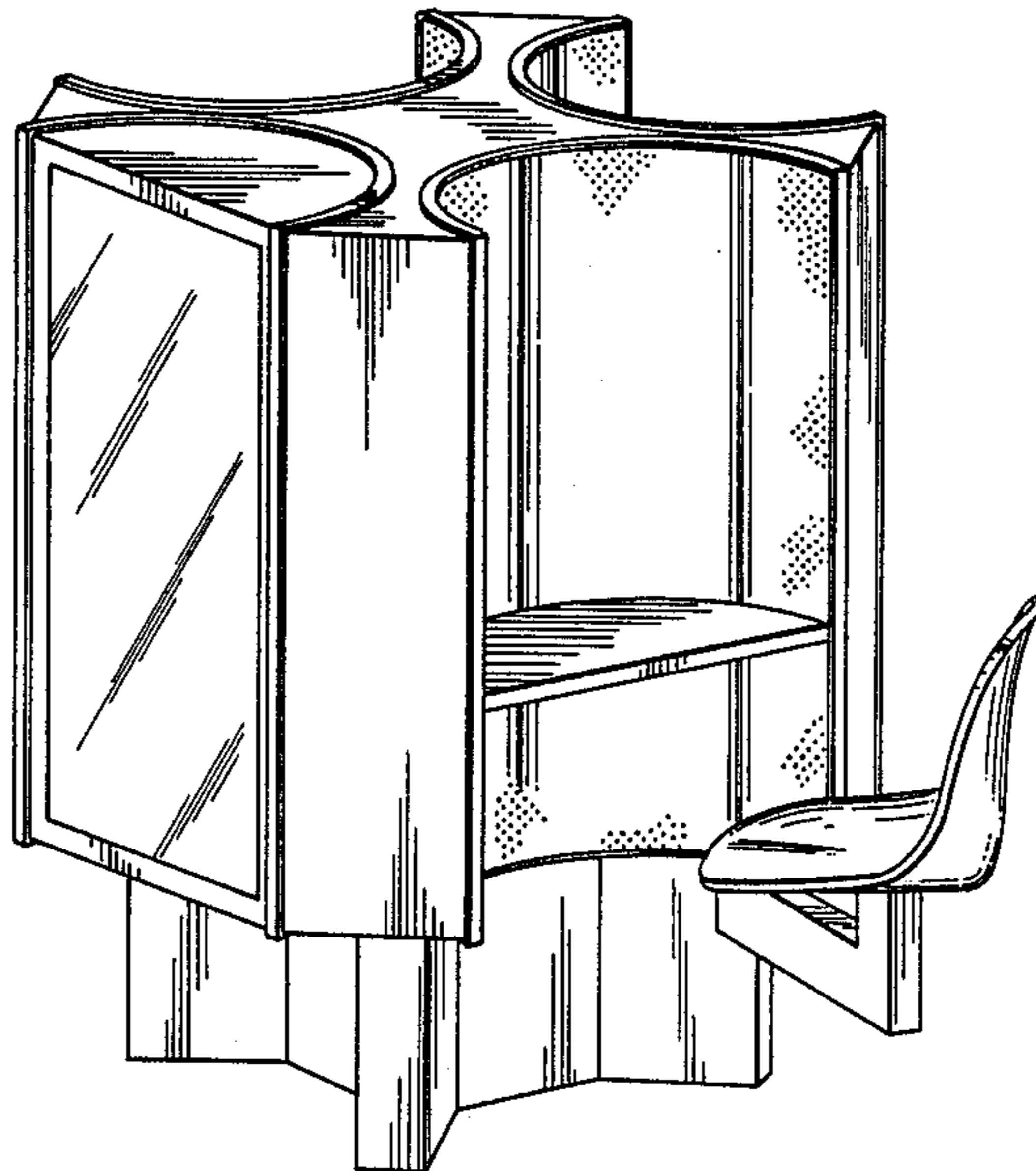
FIG. 4 is an elevational view of FIG. 2 showing the display unit.

FIG. 5 is a view taken along line 5—5 of FIG. 2 showing one of the three individual telephone booths in elevation, the other two booths of the cluster being identical thereto.

FIG. 6 is a front perspective view of a modified form of our new design identical to the design of FIGS. 1-5, except that a four-booth cluster is shown.

FIG. 7 is a top plan view of the design shown in FIG. 6.

FIG. 8 is a front elevational view of the design shown in FIGS. 6 and 7.



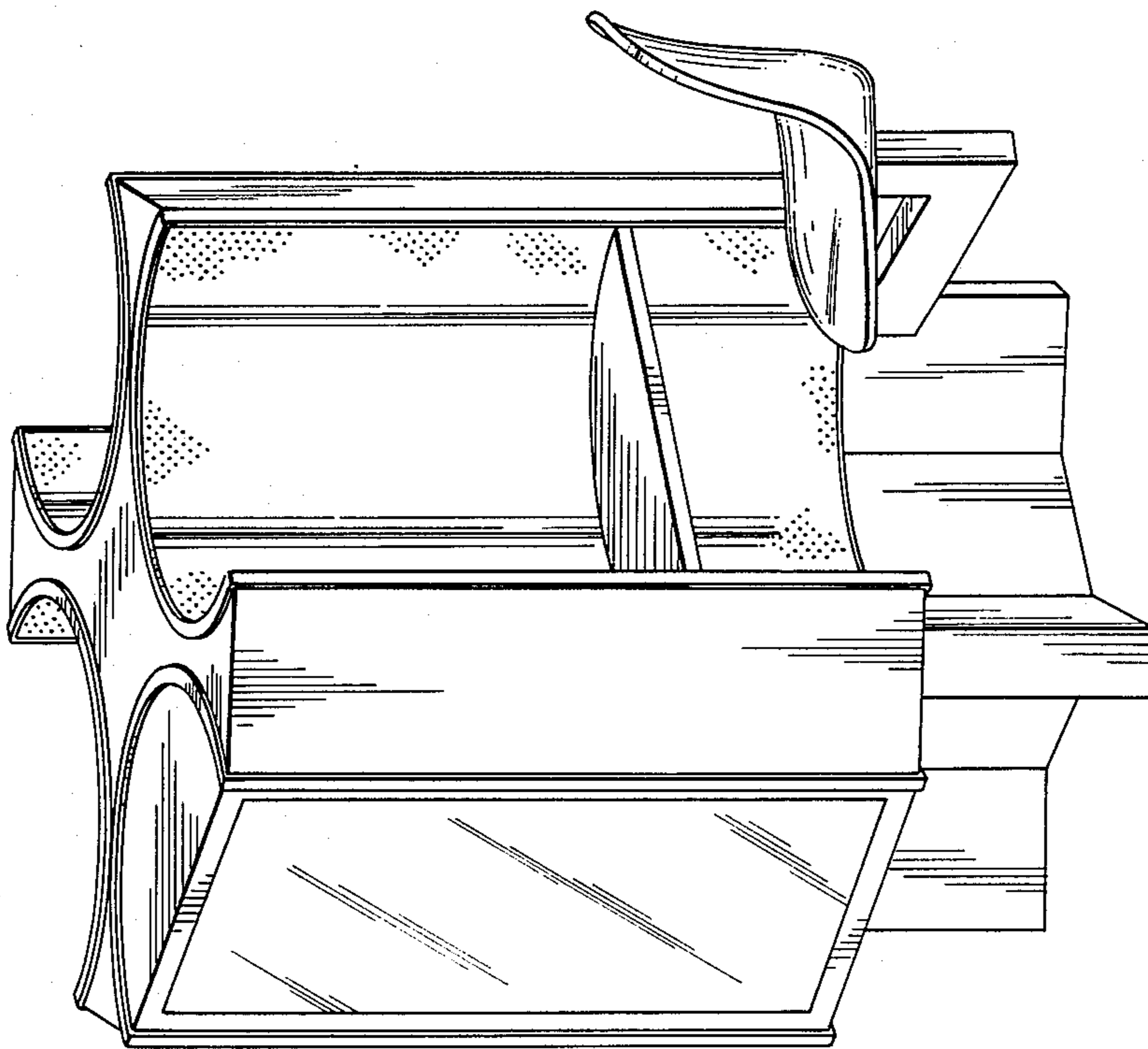


Fig. 1.

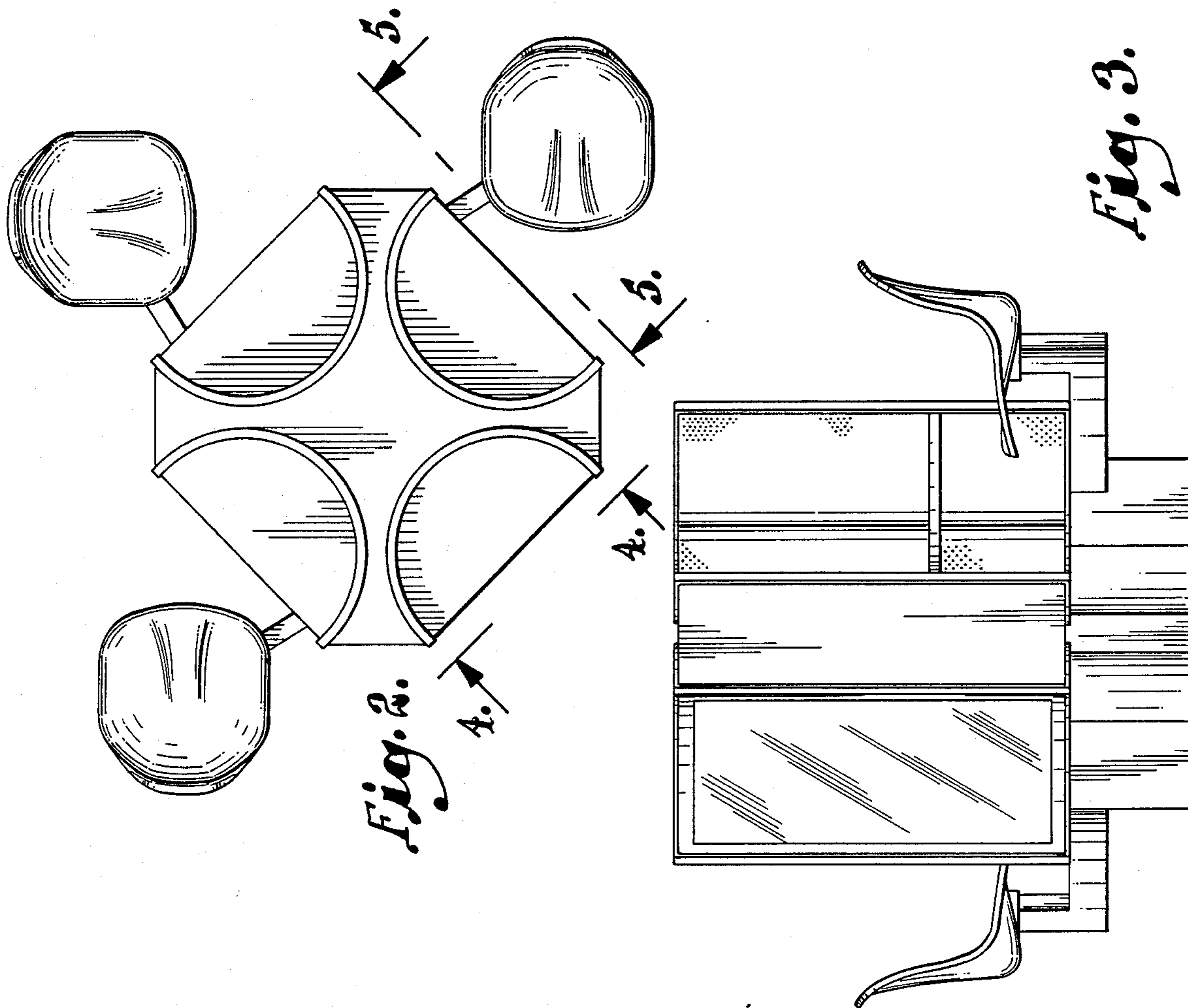


Fig. 2.

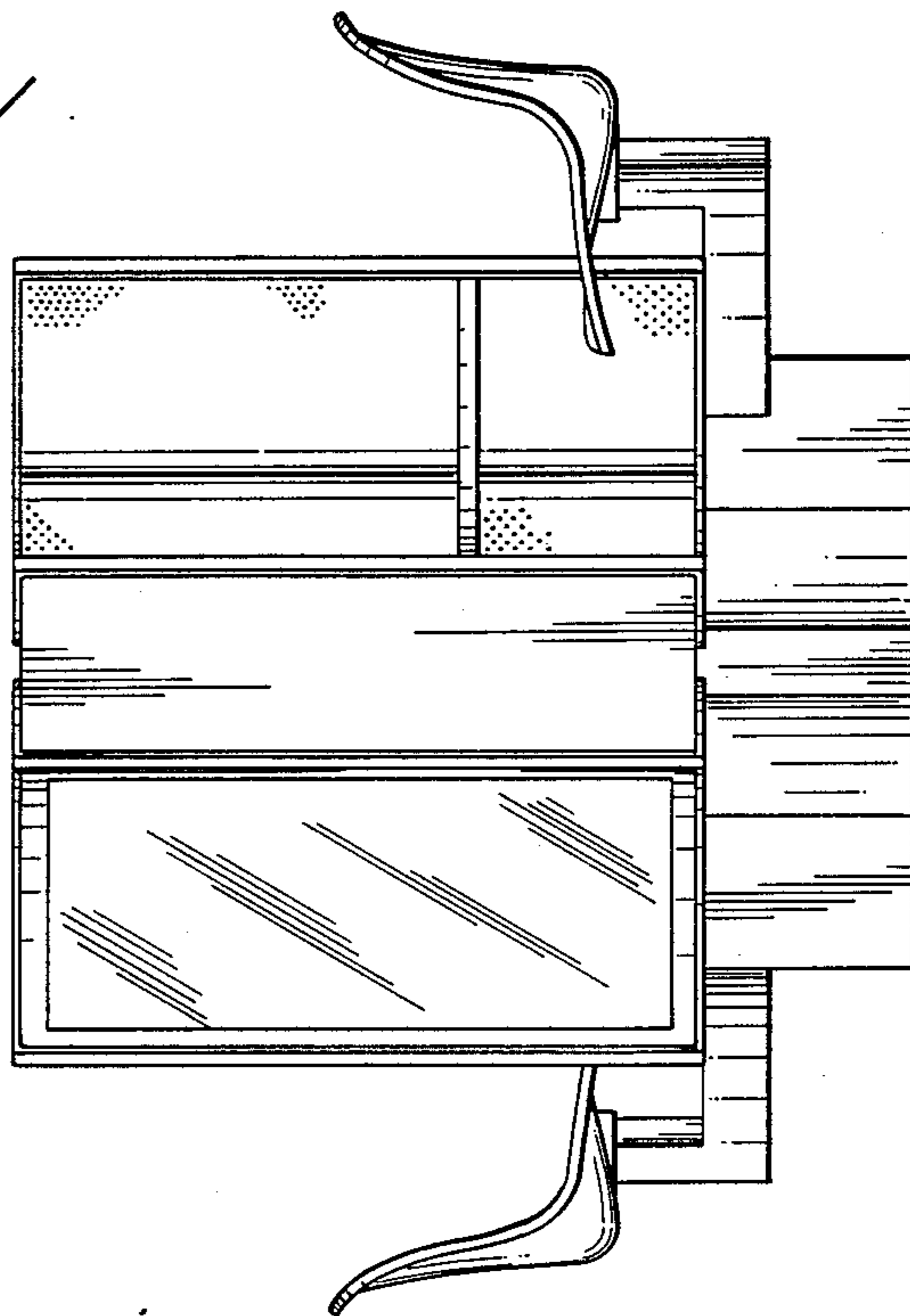


Fig. 3.

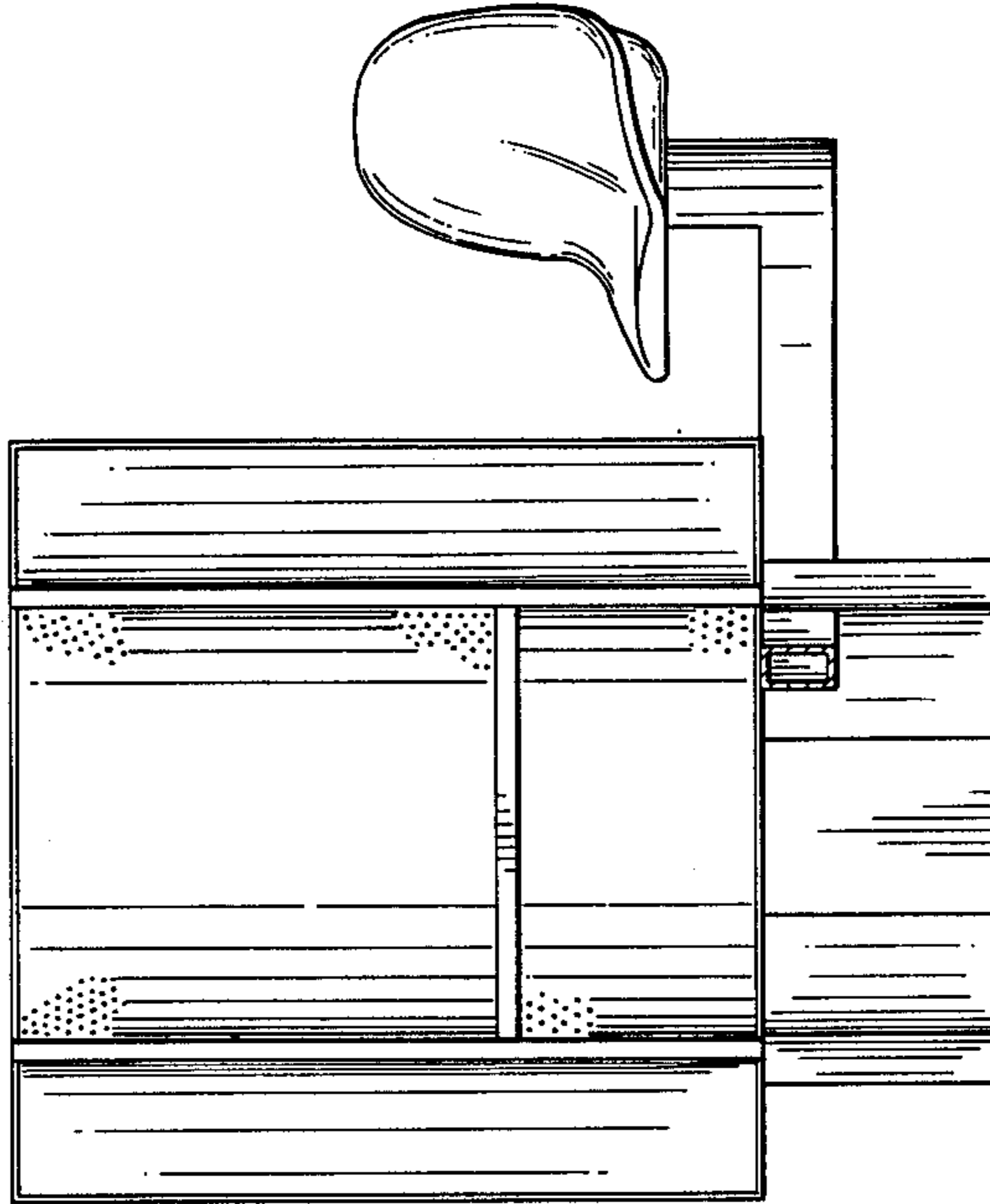


Fig. 5.

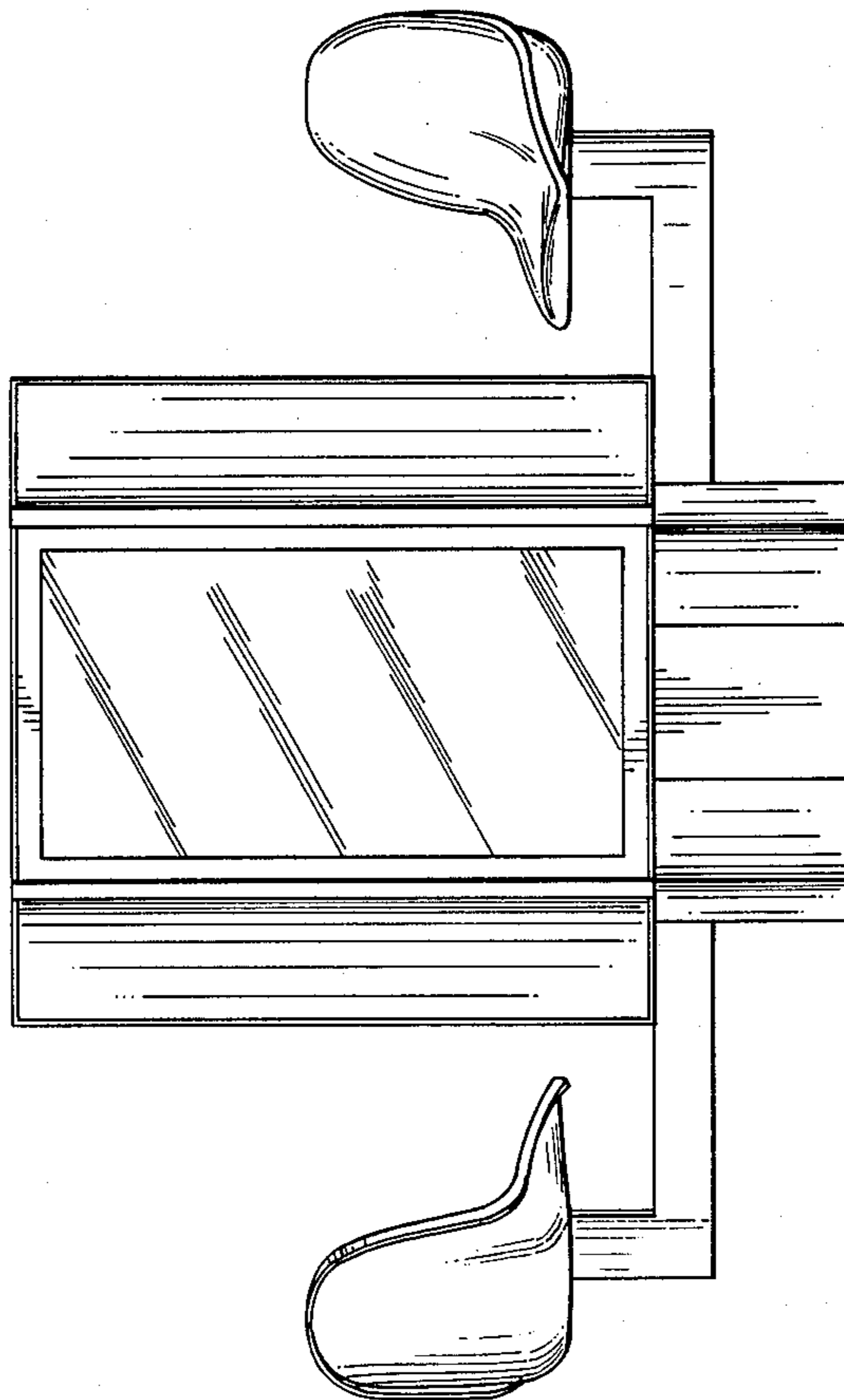


Fig. 4.

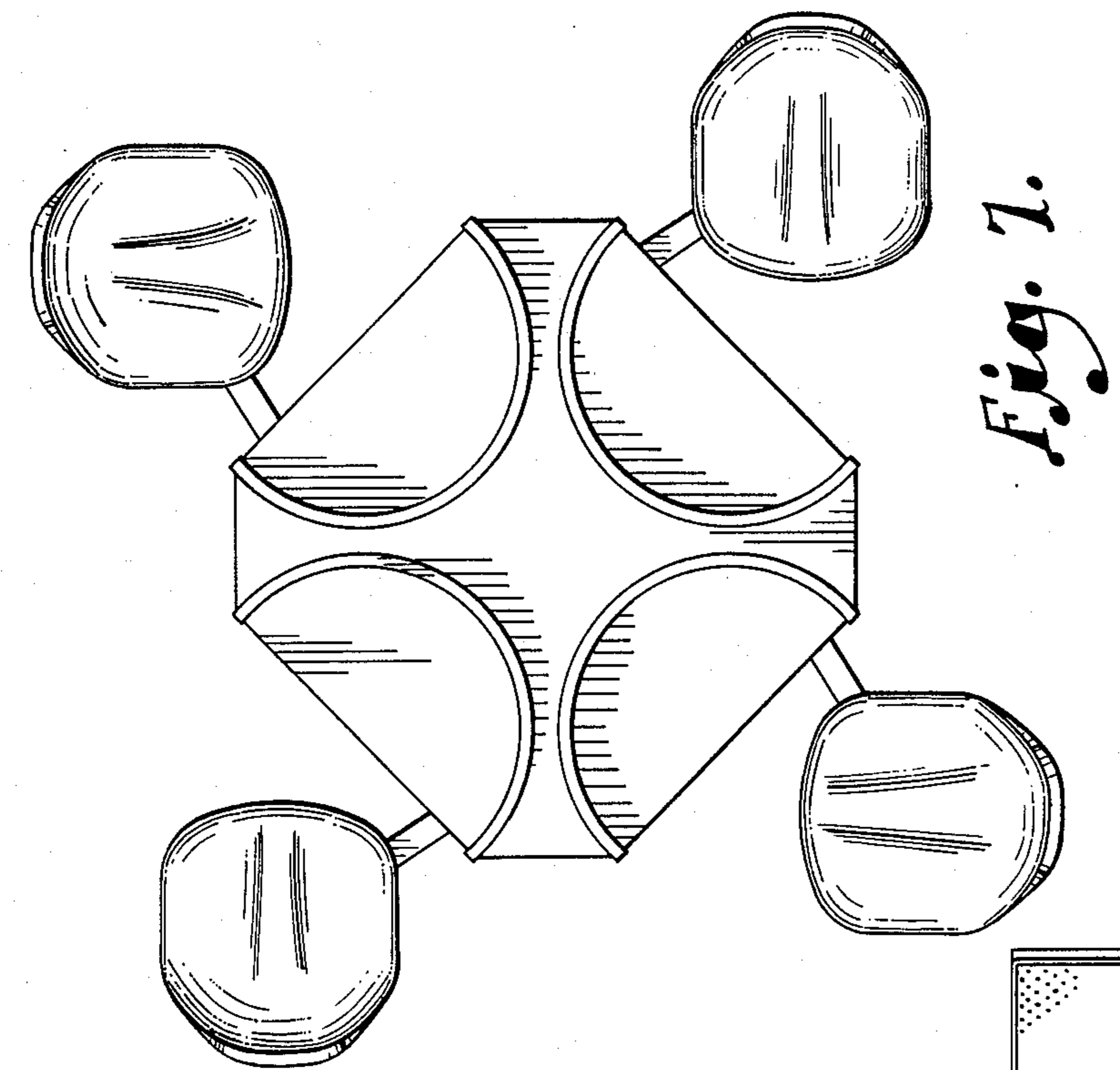


Fig. 7.

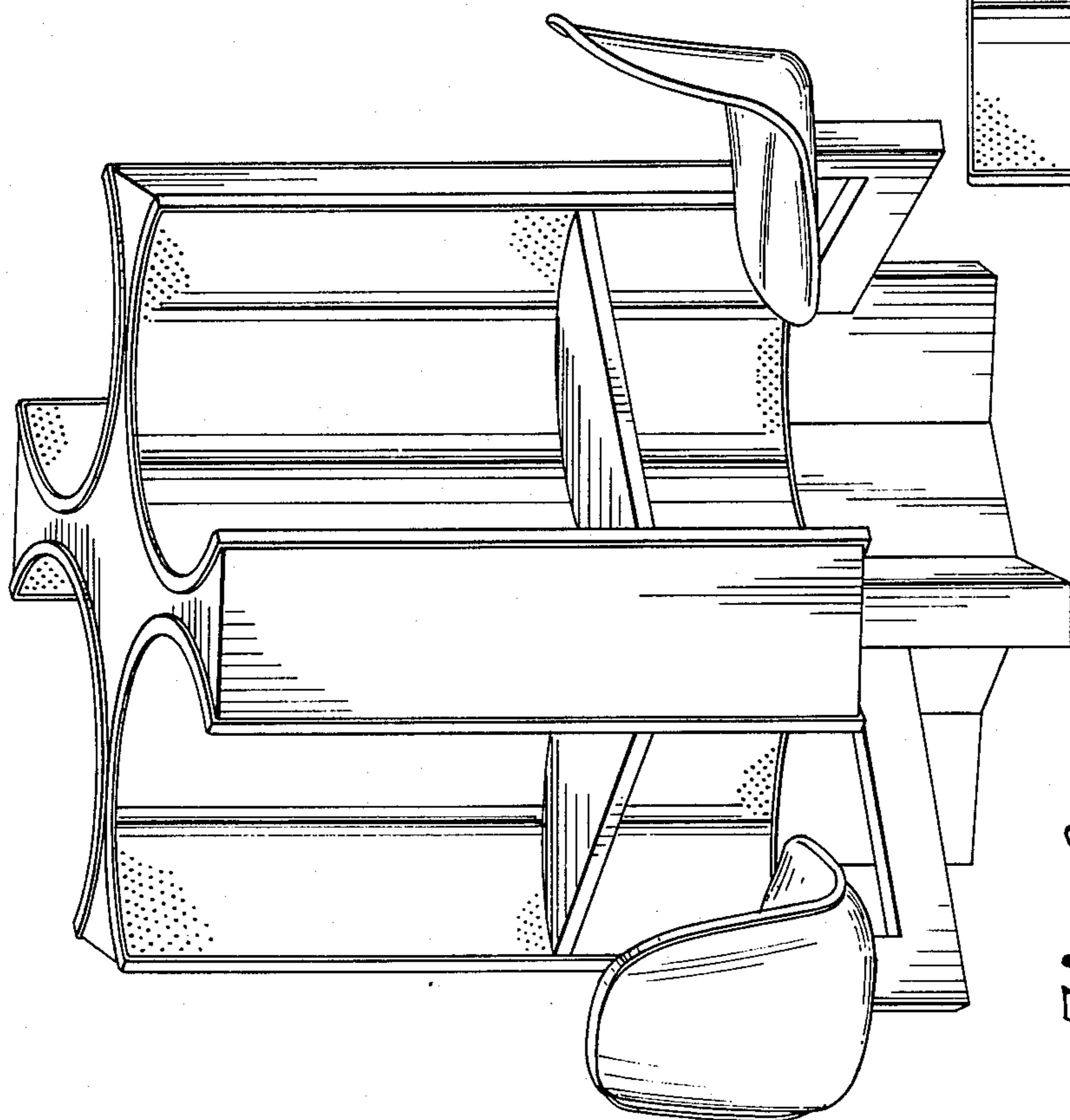


Fig. 6.

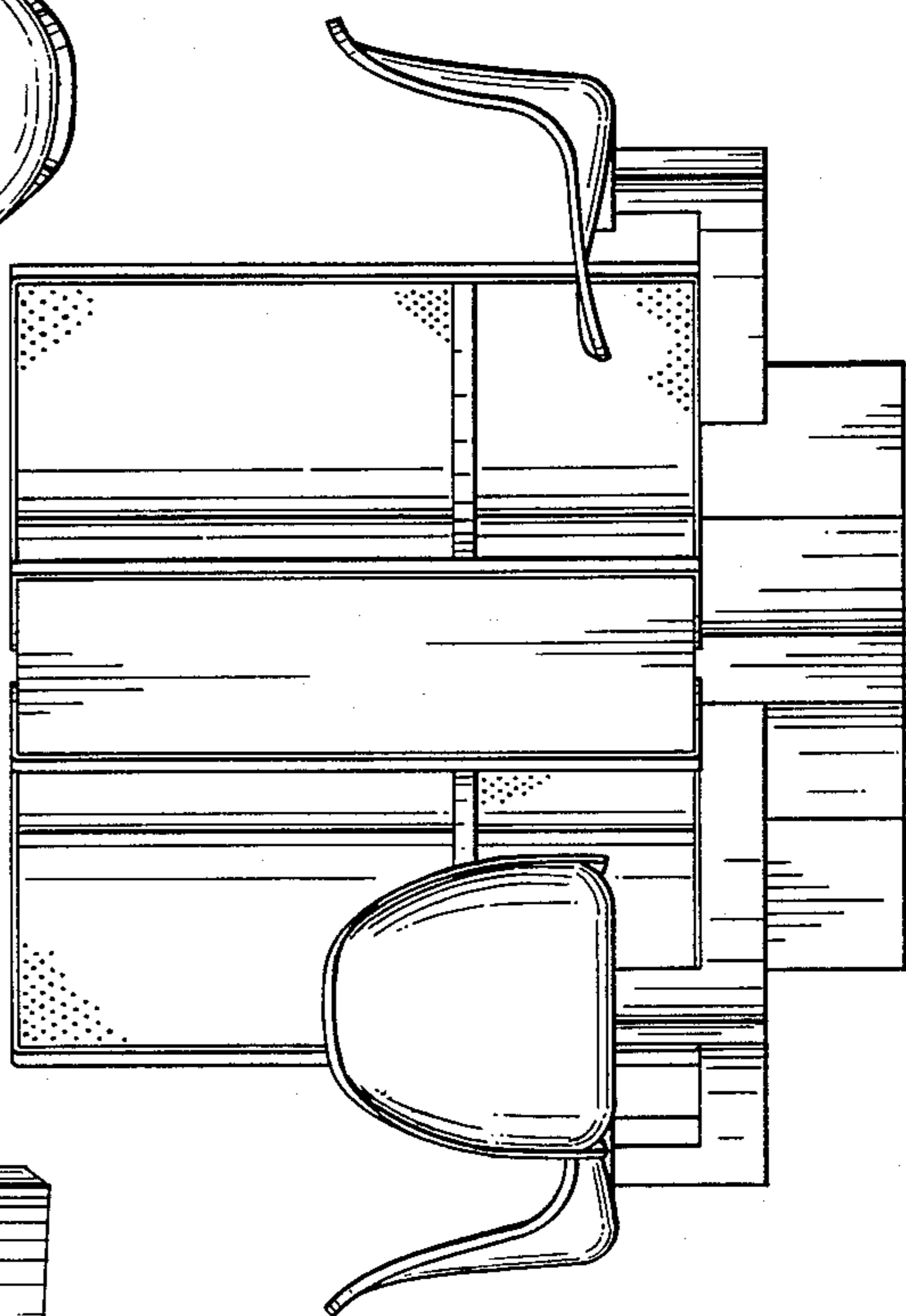


Fig. 8.