

[54] CARRYING CASE FOR PICNIC SUPPLIES

[76] Inventor: Fred O. Dunkeld, Jr., Box 28, Newberry, Mich. 49868

[**] Term: 14 Years

[21] Appl. No.: 107,894

[22] Filed: Oct. 13, 1987

Related U.S. Application Data

[63] Continuation-in-part of Ser. No. 694,834, Jan. 25, 1985.

[52] U.S. Cl. D3/74; D3/75

[58] Field of Search D3/30.1, 35-37, D3/74; 206/545, 541, 544, 549; D7/76, 77

References Cited

U.S. PATENT DOCUMENTS

D. 216,928	3/1970	Olson	D3/74
D. 247,152	2/1978	Royfield	D7/77
D. 251,214	2/1979	Coleman et al.	D3/74
D. 262,839	2/1982	Daenen et al.	D3/74
D. 269,648	7/1983	Wilcox	D3/73
3,016,129	1/1962	King	206/545
3,591,768	7/1971	Torres	206/544
4,106,597	8/1978	Shook et al.	206/545
4,336,129	6/1982	Krug et al.	206/545

Primary Examiner—Bernard Ansher

Assistant Examiner—Theodore M. Shooman
Attorney, Agent, or Firm—Peter D. Keefe

[57] CLAIM

The ornamental design for a carrying case for picnic supplies, as shown and described.

DESCRIPTION

FIG. 1 is an exploded top, front and left side perspective view of a carrying case for picnic supplies showing my new design, illustrated with the condiment section removed and the cover in an open position;

FIG. 2 is a top, front and left side perspective view thereof, illustrated with the cover in an open position;

FIG. 3 is a top, front and left side perspective view thereof;

FIG. 4 is a top, rear and right side perspective view thereof;

FIG. 5 is a bottom, rear and left side perspective view thereof;

FIG. 6 is a top, front and right side perspective view of the condiment section in an open condition, shown for clarity of illustration;

FIG. 7 is a top, front and right side perspective view of the condiment section, shown for clarity of illustration; and

FIG. 8 is a bottom, rear and left side perspective view of the condiment section, shown for clarity of illustration.

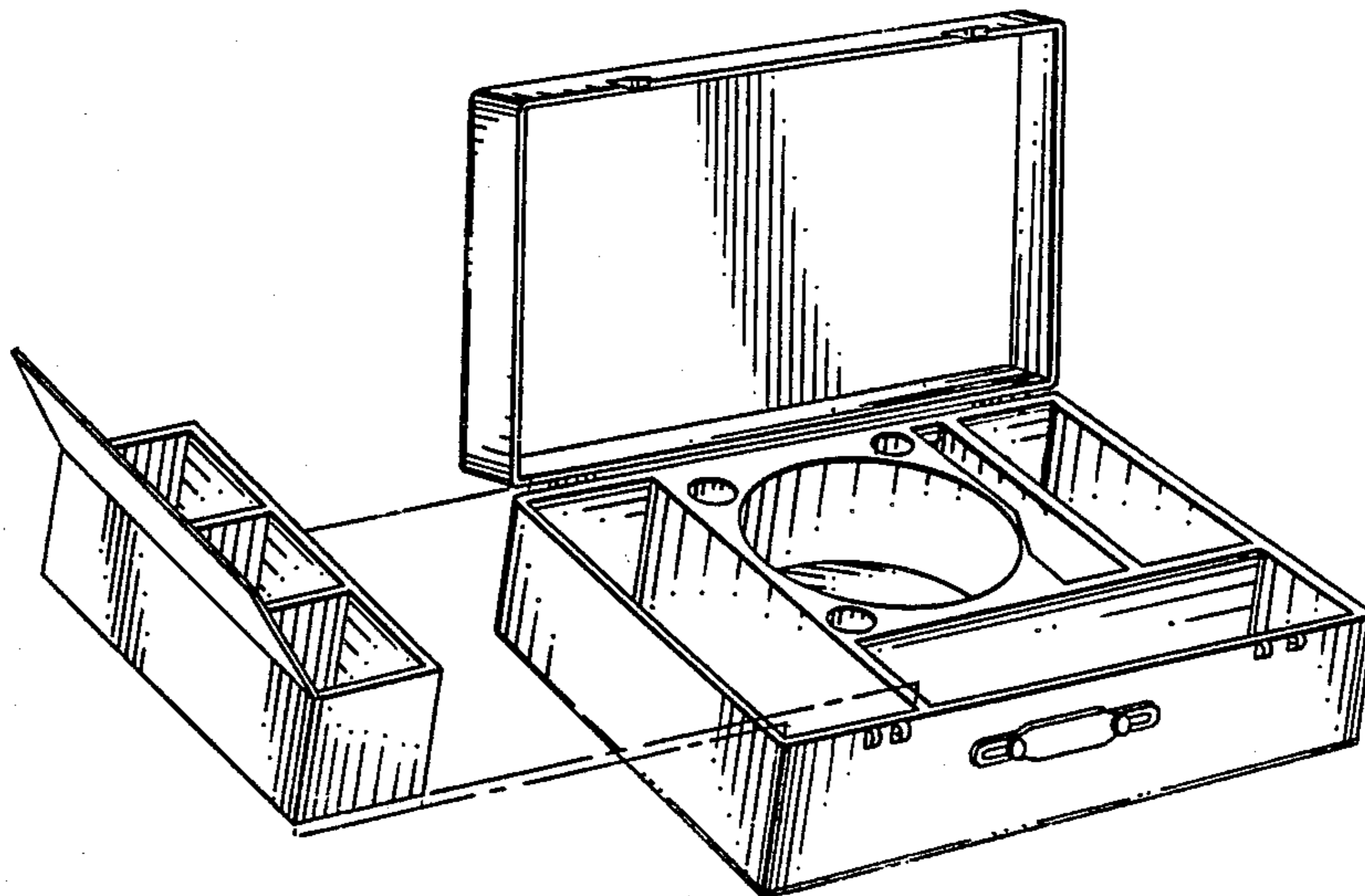


FIG. 1

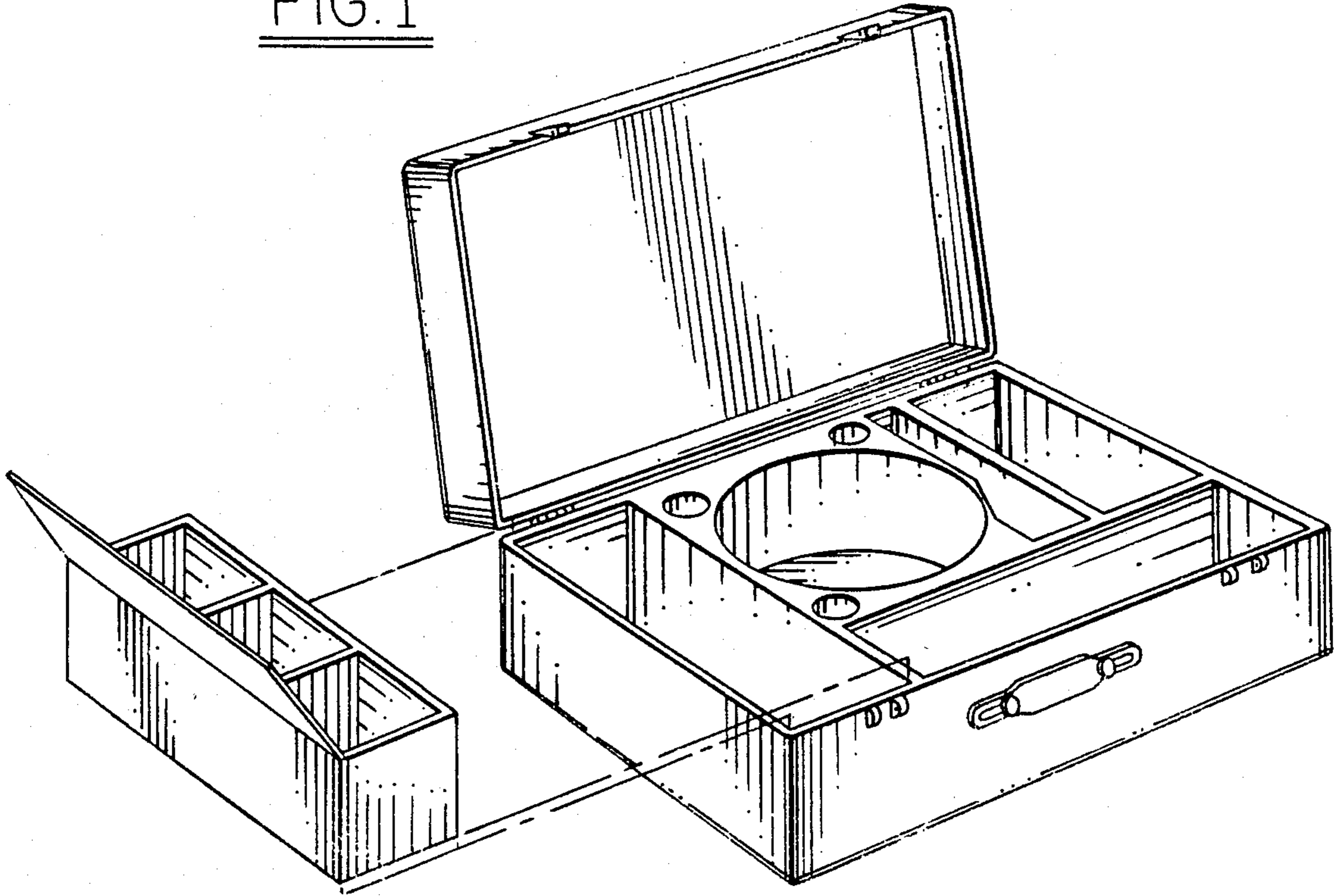


FIG. 2

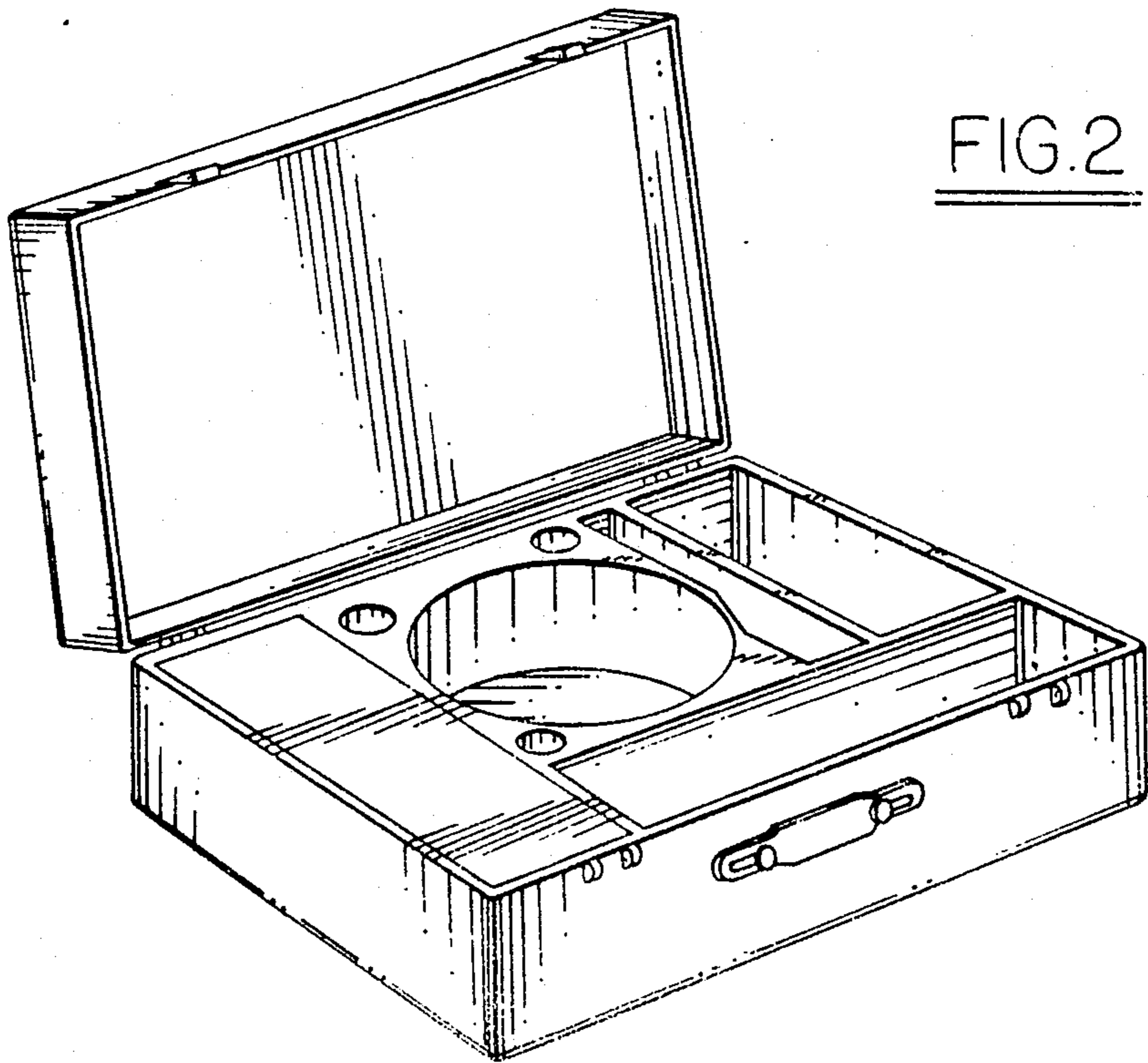


FIG. 3

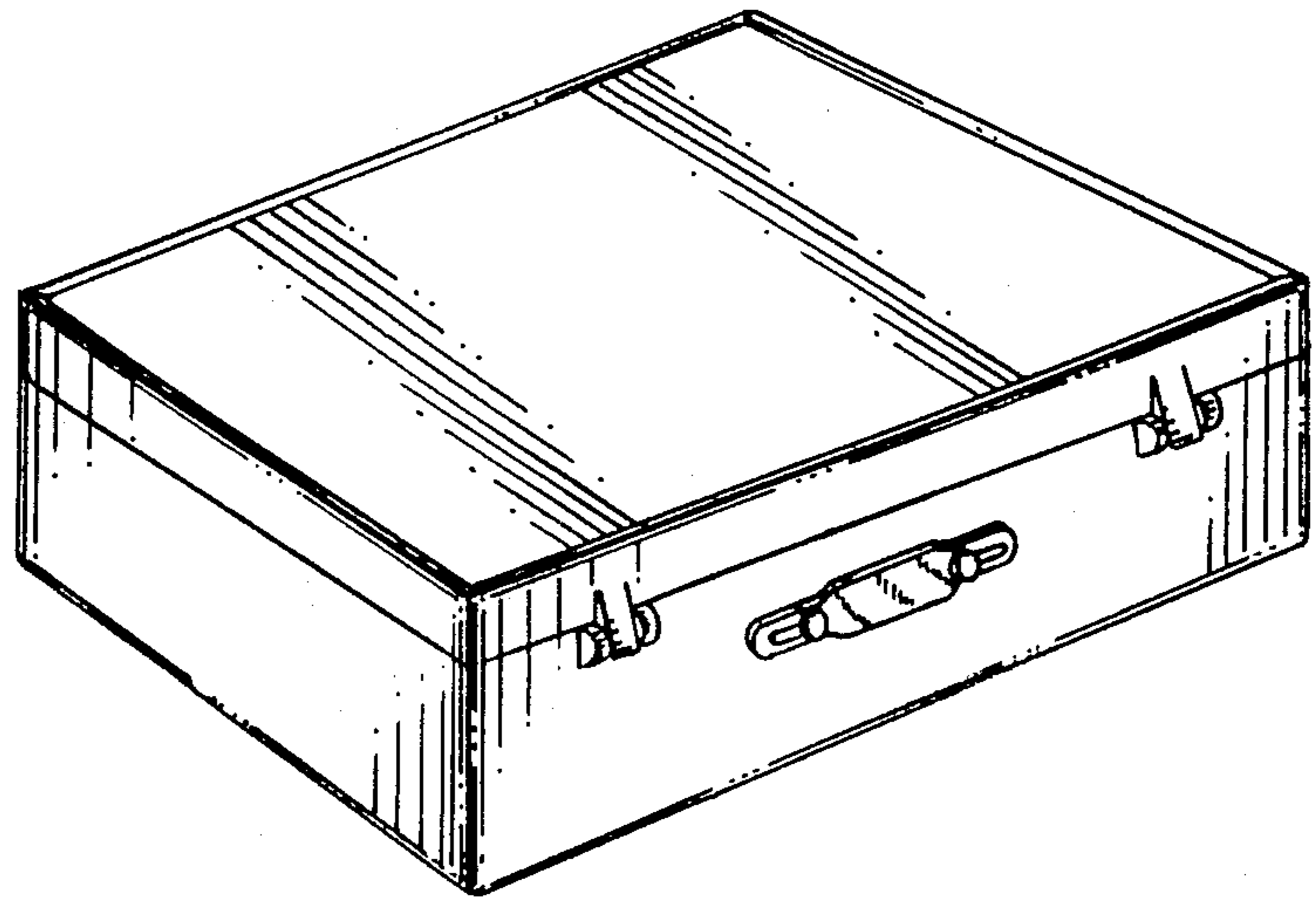


FIG. 4

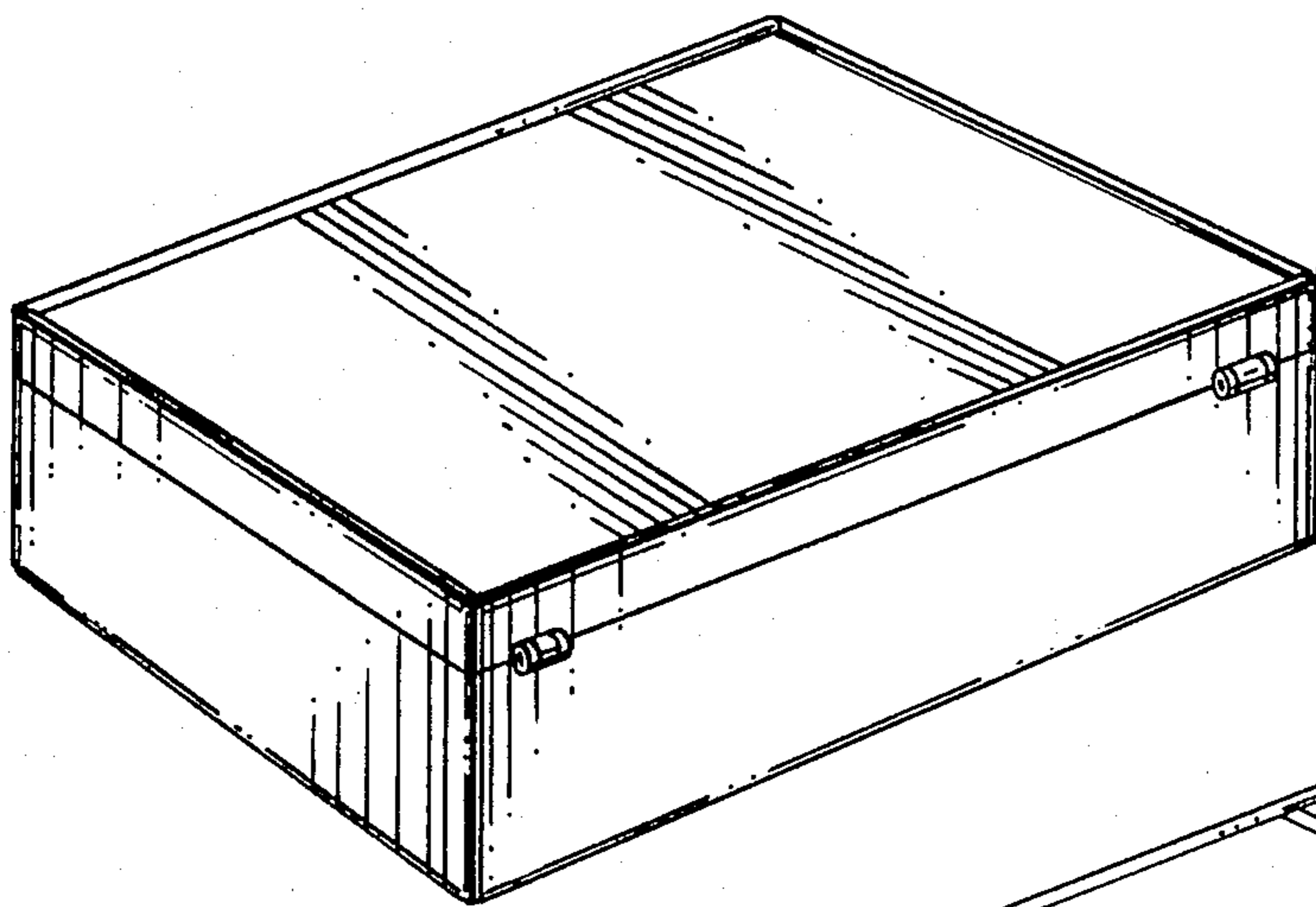


FIG. 5

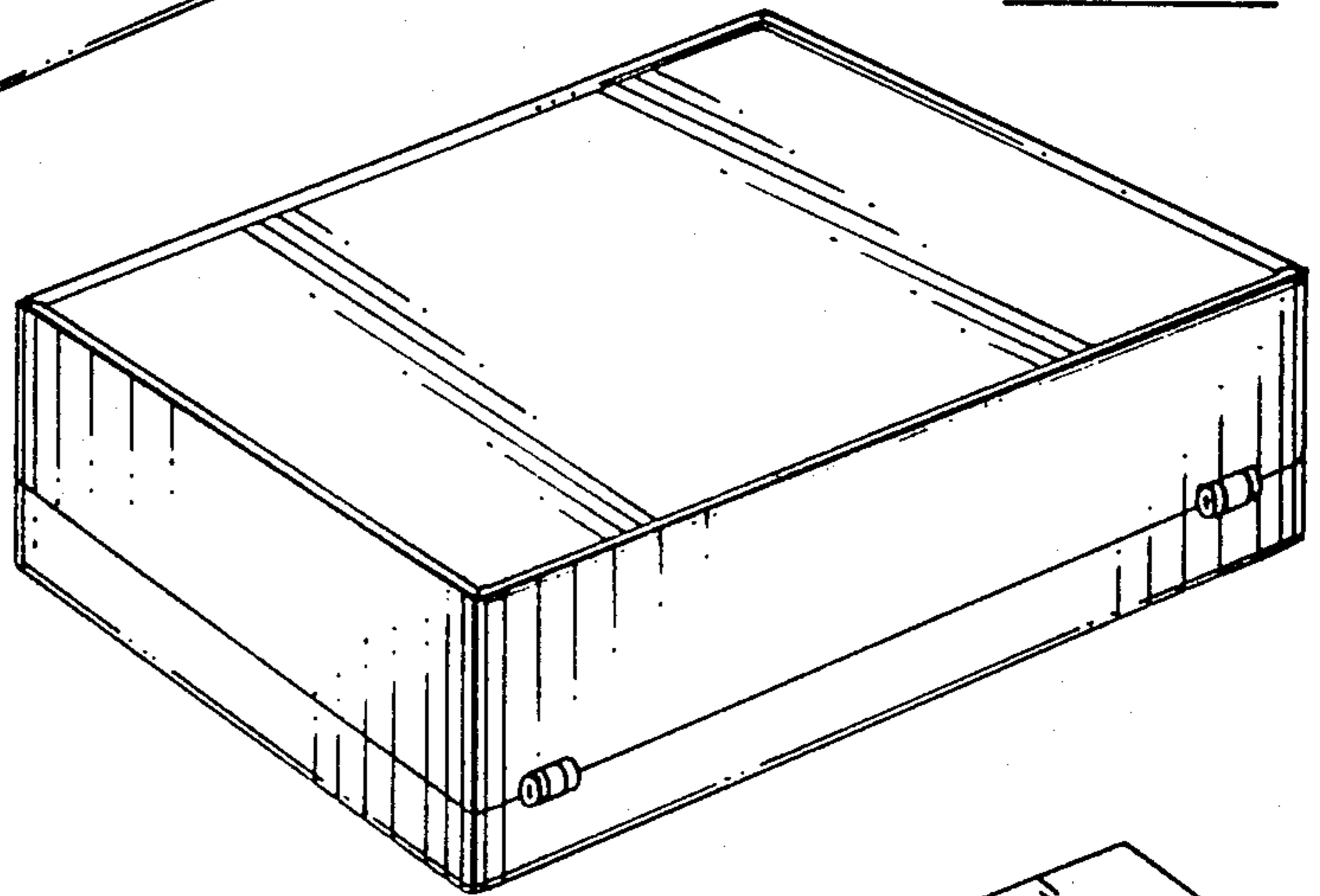


FIG. 6

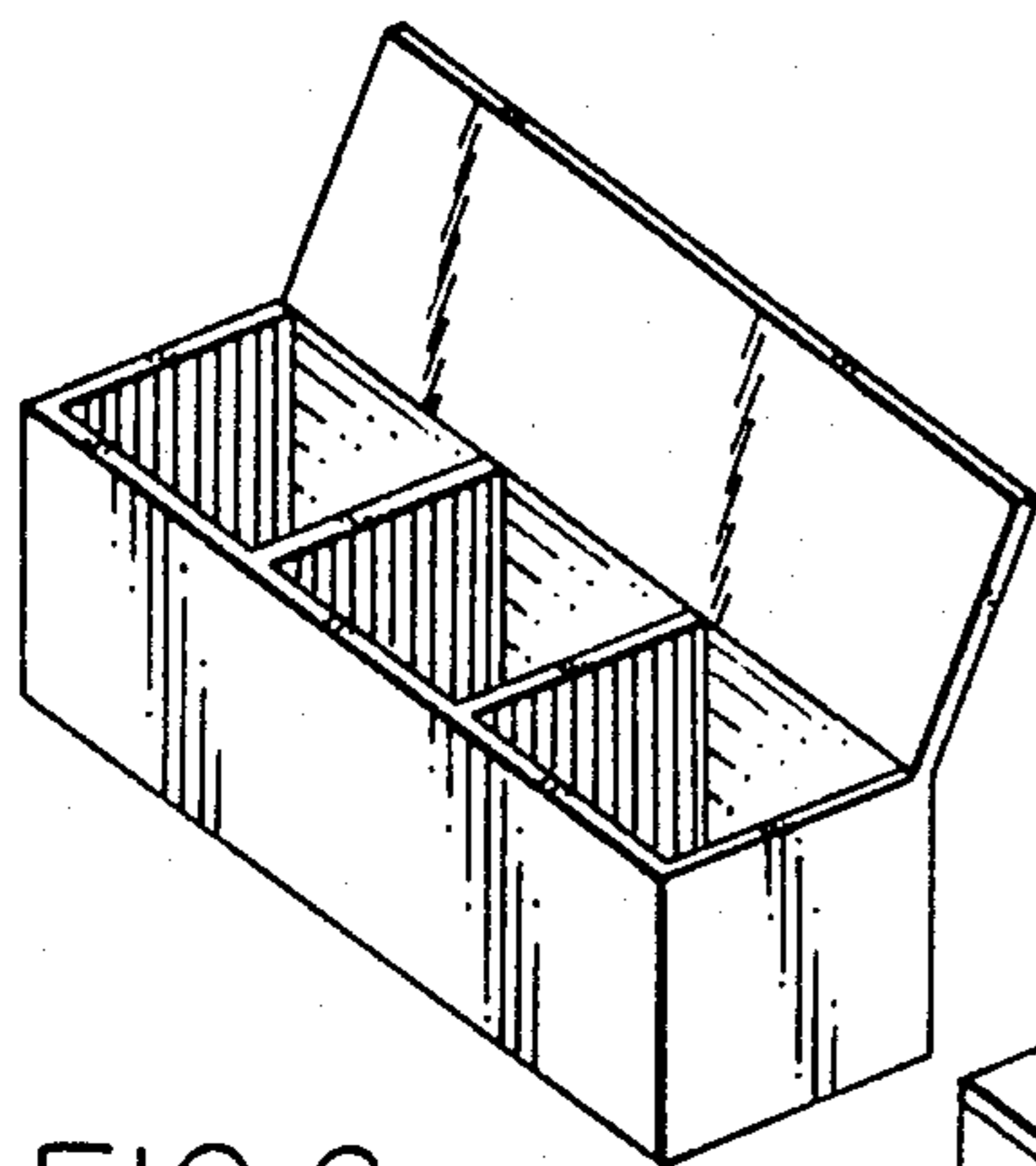


FIG. 7

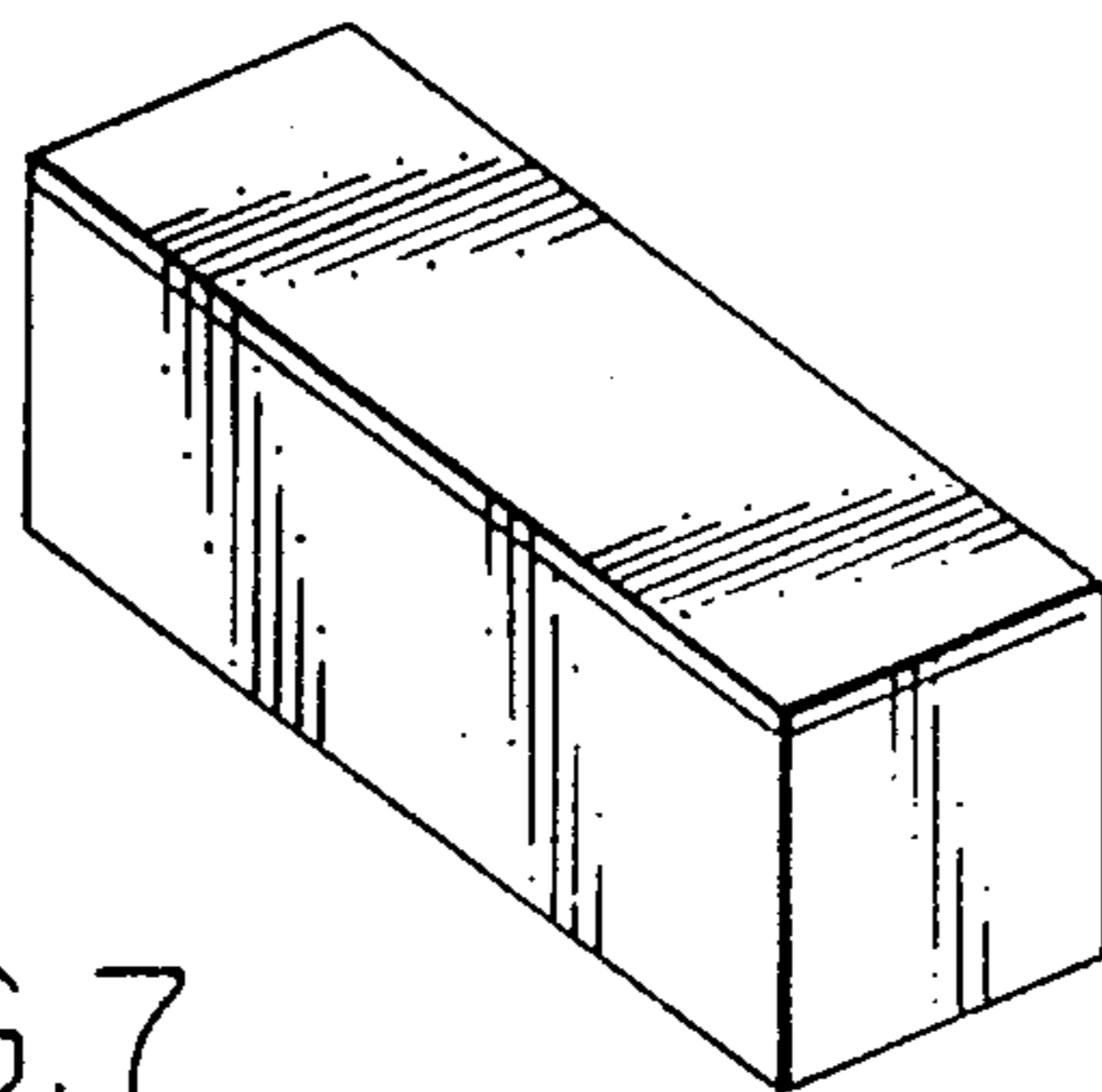


FIG. 8

