

[54] **SKI CASE**
[76] **Inventor: Larry J. Kaufman, 5511 Springcreek Rd., Tyler, Tex. 75703**
[**] **Term: 14 Years**
[21] **Appl. No.: 827,368**
[22] **Filed: Feb. 4, 1986**
[52] **U.S. Cl. D3/36**
[58] **Field of Search 206/579, 315.1; 190/105, 103, 111, 115, 118, 119; D3/36**

4,196,762 4/1980 Goodwin et al. D3/36 X
4,643,302 2/1987 Baumgardner 206/315.1
4,796,789 1/1989 Willcocks 190/111 X

Primary Examiner—Bruce W. Dunkins
Assistant Examiner—Y. Brunot
Attorney, Agent, or Firm—Berman, Aisenberg & Platt

[56] **References Cited**
U.S. PATENT DOCUMENTS
D. 271,162 11/1983 Evans D3/36
D. 291,842 9/1987 Baumgardner D3/36
3,263,806 8/1966 Ring D3/36 X

[57] **CLAIM**
The ornamental design for a ski case, as shown and described.

DESCRIPTION
FIG. 1 is a perspective of a ski case showing my new design.
FIG. 2 is a longitudinal cross section thereof along line 2—2 of FIG. 3.
FIG. 3 is a top plan view thereof.
FIG. 4 is a bottom plan view thereof.



FIG 1

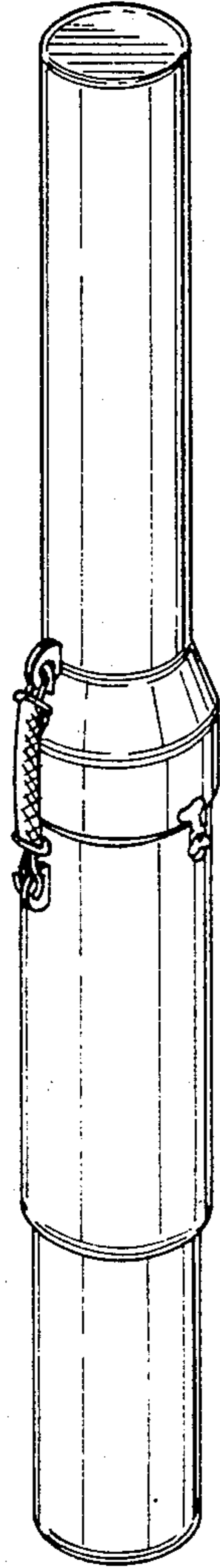


FIG 2

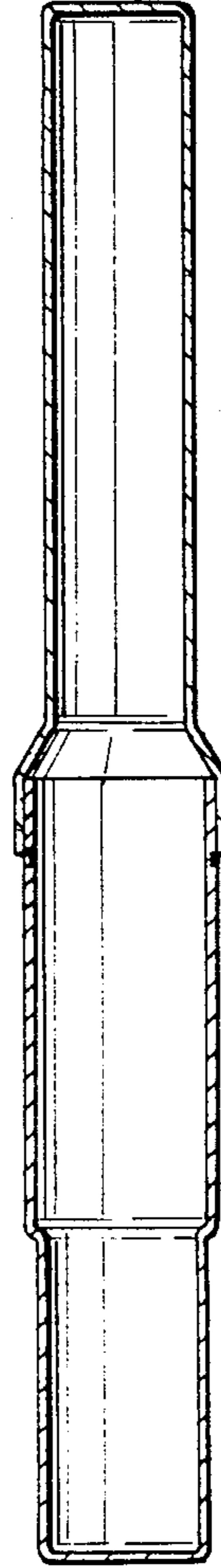


FIG 3

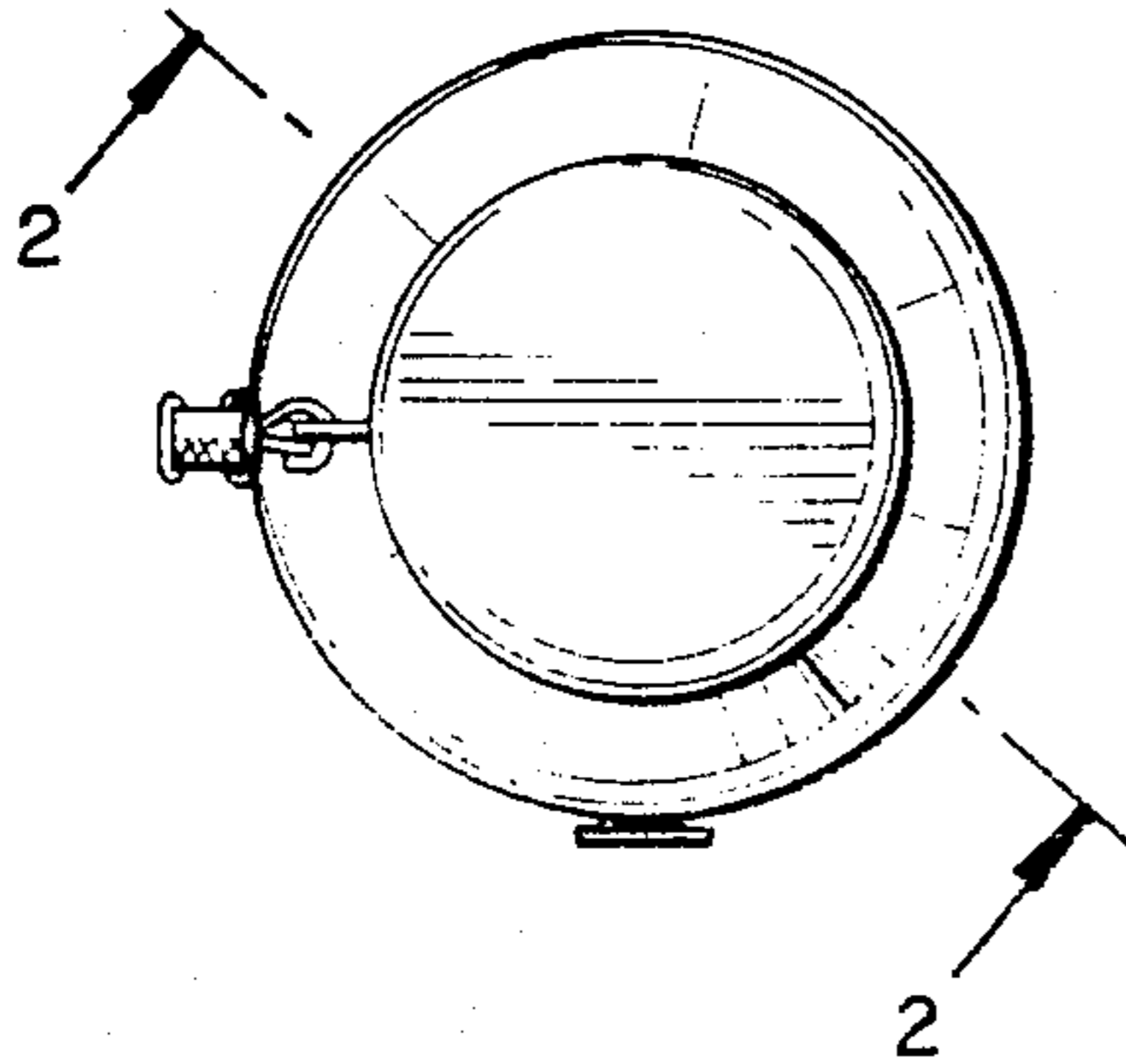


FIG 4

