

[54] HAND-OPERATED LIFT TRUCK

[75] Inventor: Yusuke Kawana, Takahama, Japan

[73] Assignee: Sugiyasu Industries Co., Ltd., Takahama, Japan

[**] Term: 14 Years

[21] Appl. No.: 98,516

[22] Filed: Sep. 18, 1987

[52] U.S. Cl. D34/31; D34/28

[58] Field of Search D34/31, 28; 254/122, 254/9 C, 2 B; 187/18, 9 R; 280/43.12, 35, 651, 47.34, 47.371

[56] References Cited

U.S. PATENT DOCUMENTS

- 3,026,089 3/1962 Meister 280/43.12
- 4,447,041 5/1984 Fujita 254/122
- 4,655,466 4/1987 Hanaoka 280/35

FOREIGN PATENT DOCUMENTS

- 671096 1/1961 Japan .
- 679139 5/1961 Japan .
- 665804 11/1985 Japan .

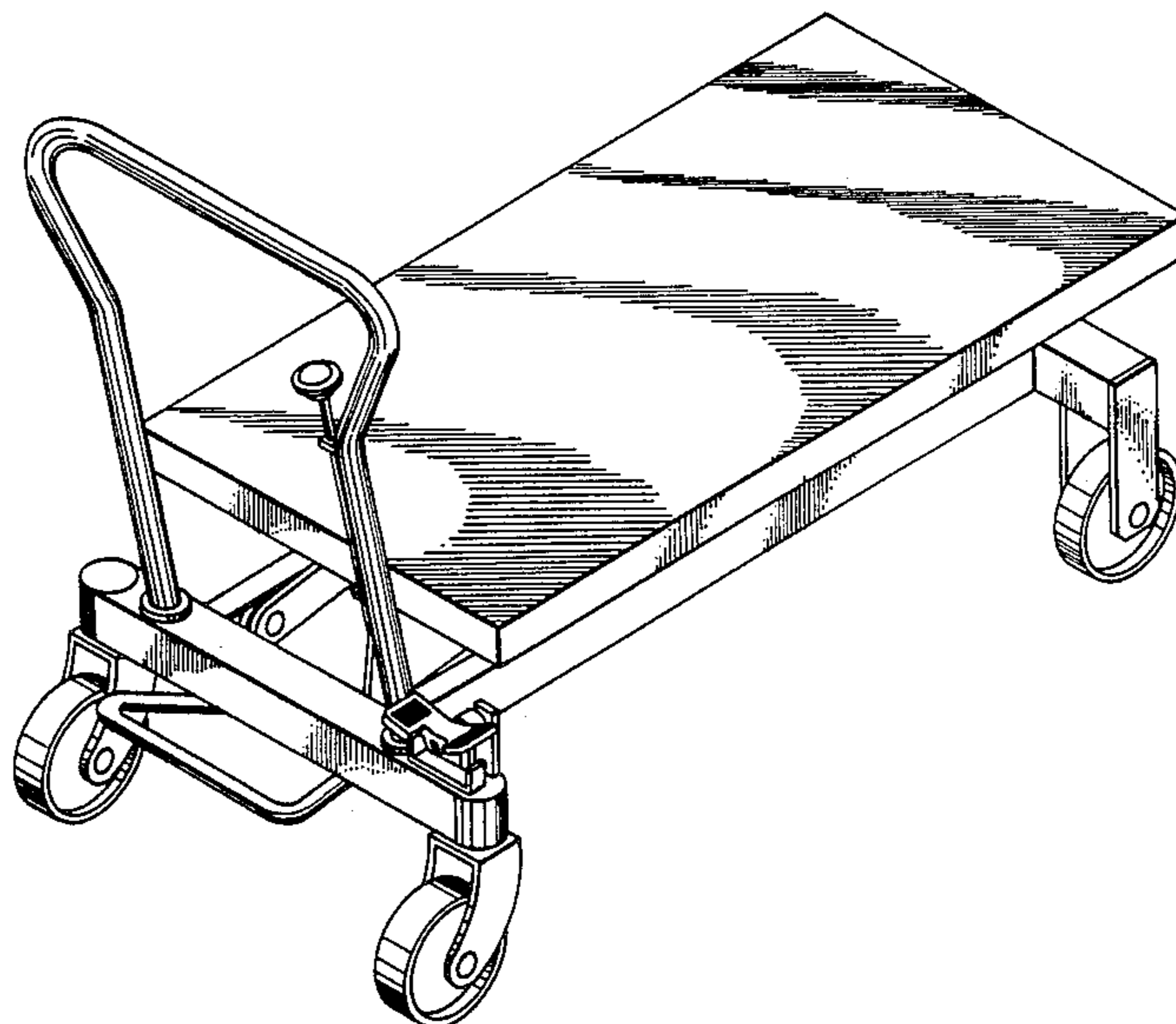
Primary Examiner—Wallace R. Burke
Assistant Examiner—Kay H. Chin
Attorney, Agent, or Firm—Lahive & Cockfield

[57] CLAIM

The ornamental design for a hand-operated lift truck, as shown.

DESCRIPTION

FIG. 1 is a perspective view of a hand-operated lift truck showing my new design;
FIG. 2 is a right side elevational view thereof;
FIG. 3 is a left side elevational view thereof.
FIG. 4 is a top plan view thereof.
FIG. 5 is a bottom plan view thereof.
FIG. 6 is a front elevational view thereof.
FIG. 7 is a rear elevational view thereof.



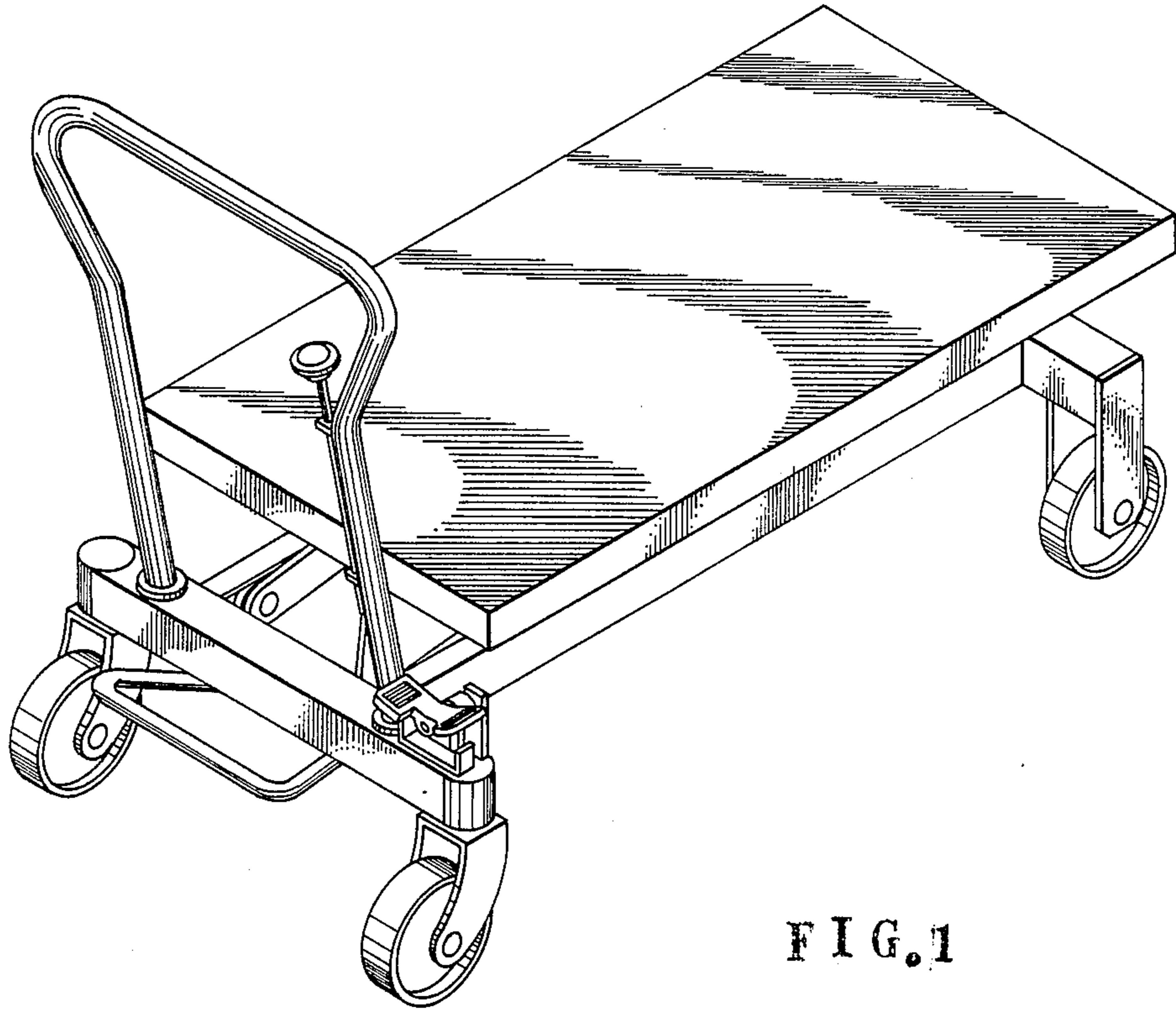


FIG. 1

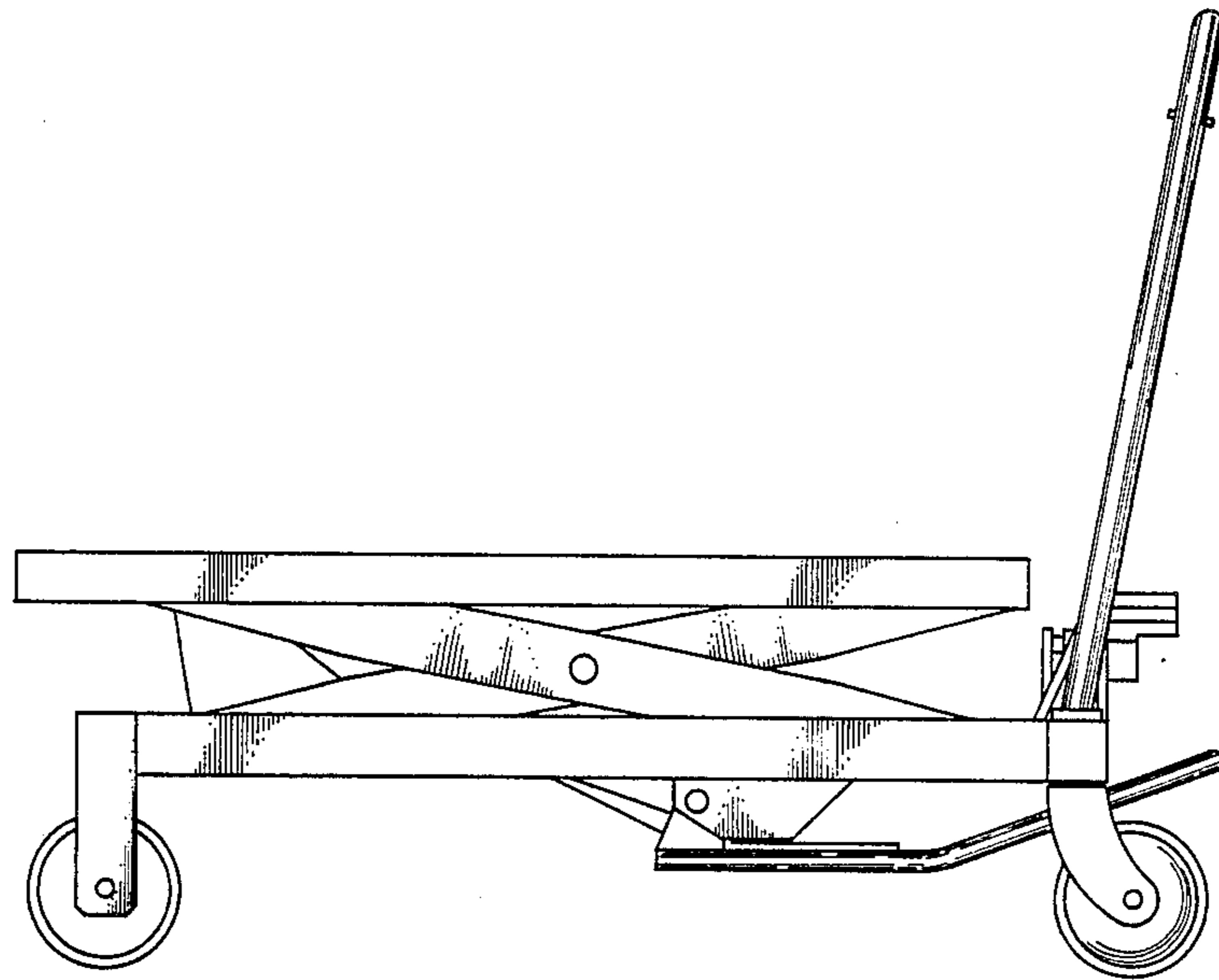


FIG. 2

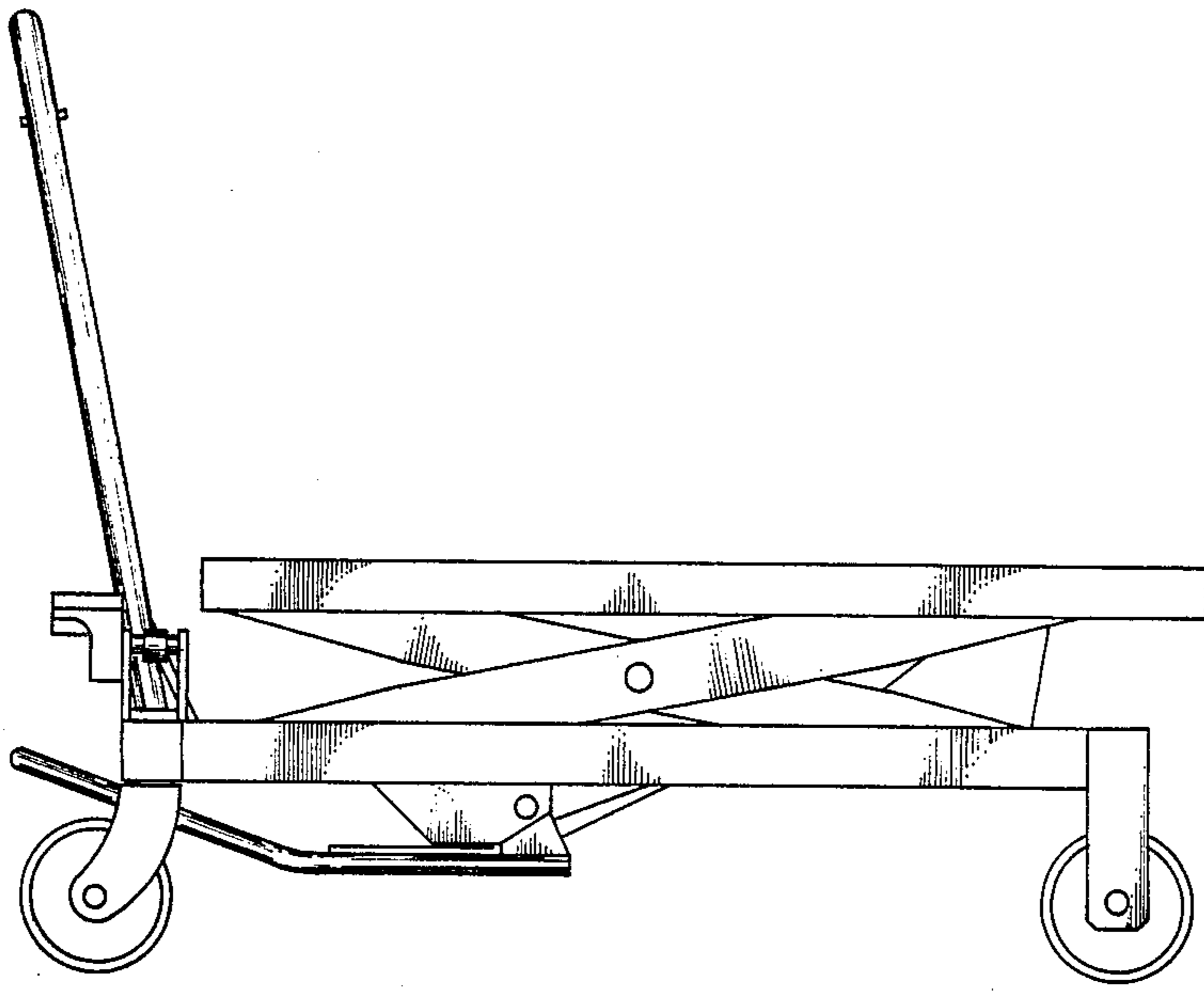


FIG. 3

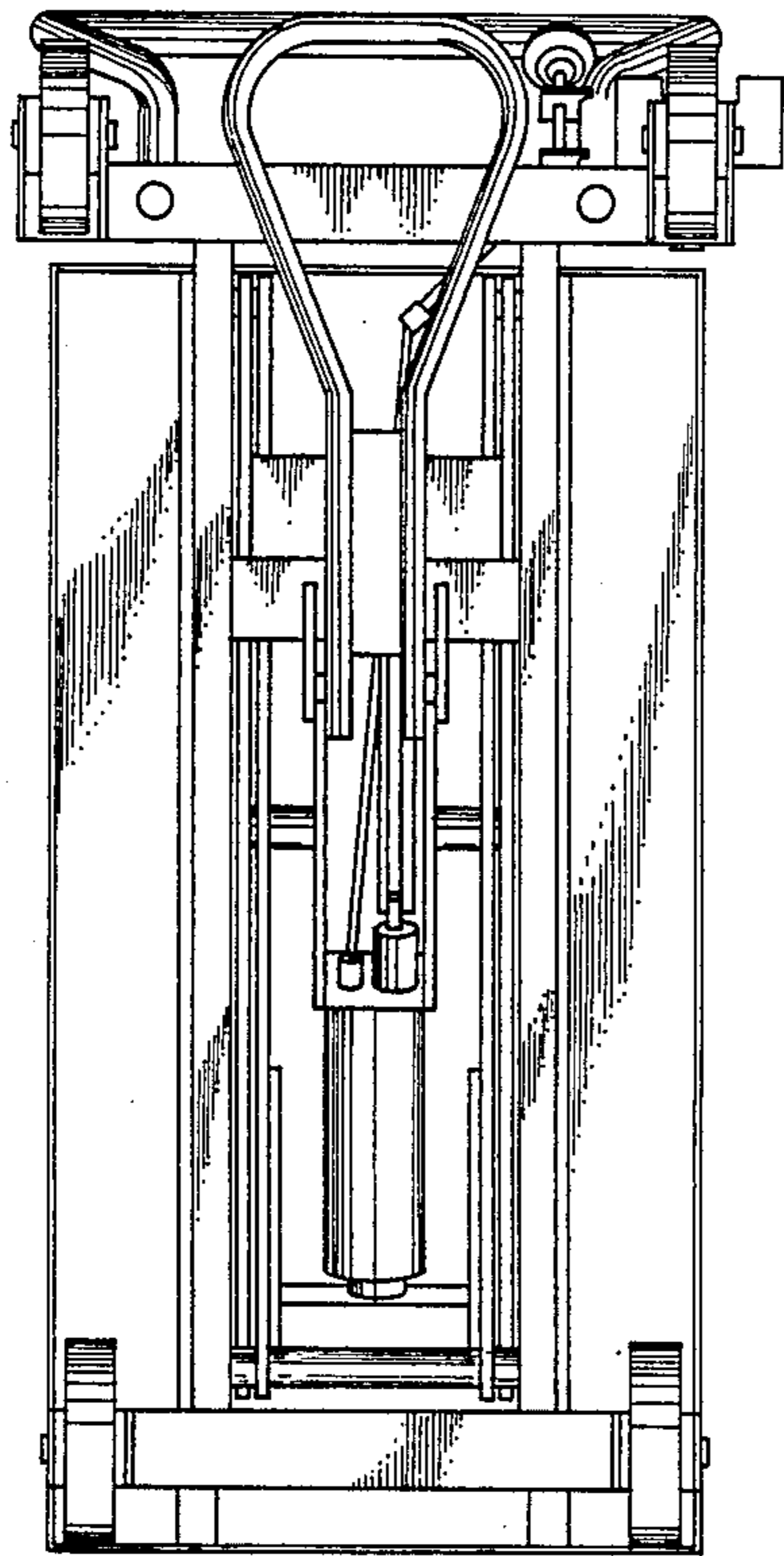


FIG. 5

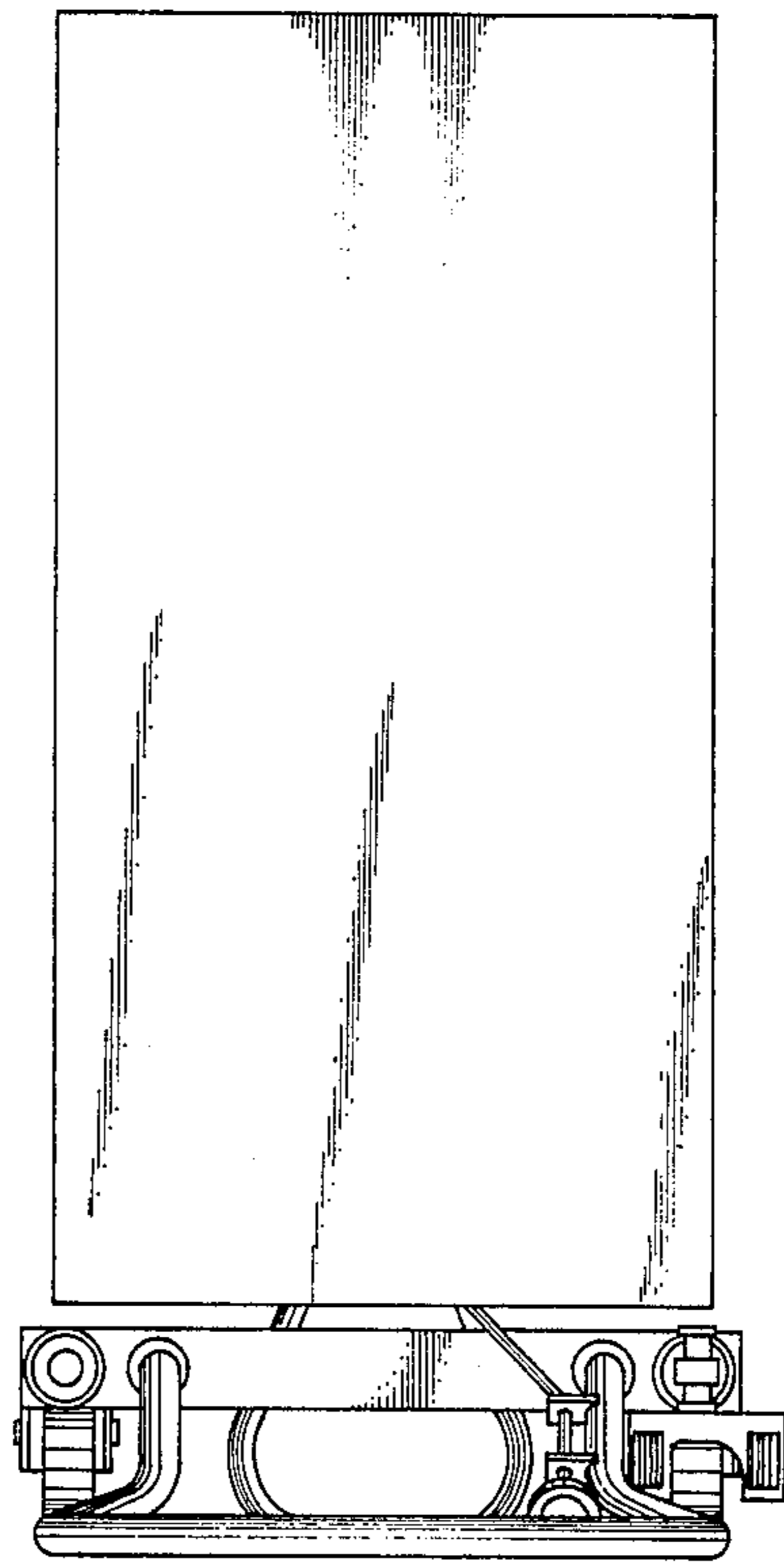


FIG. 4

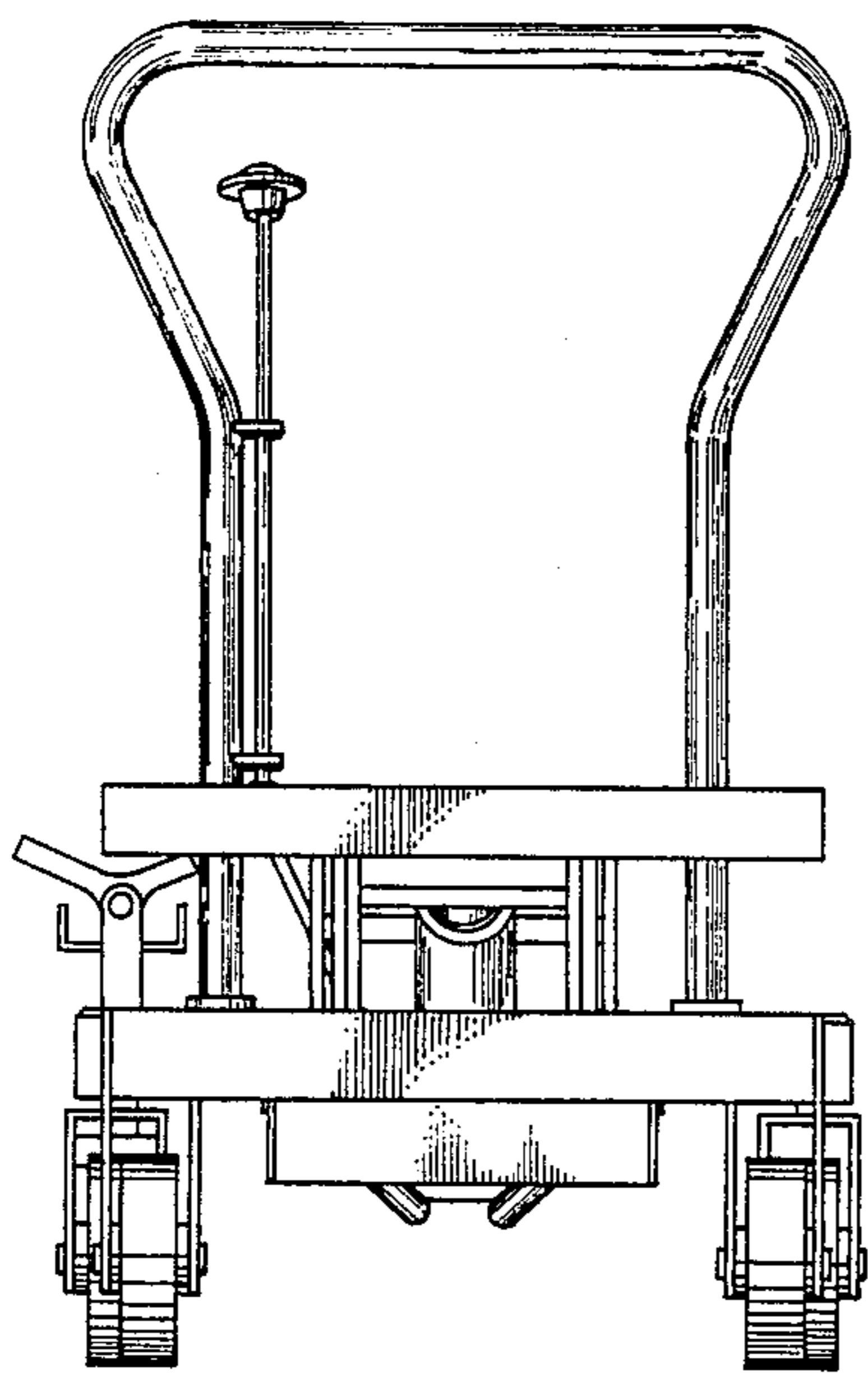


FIG. 6

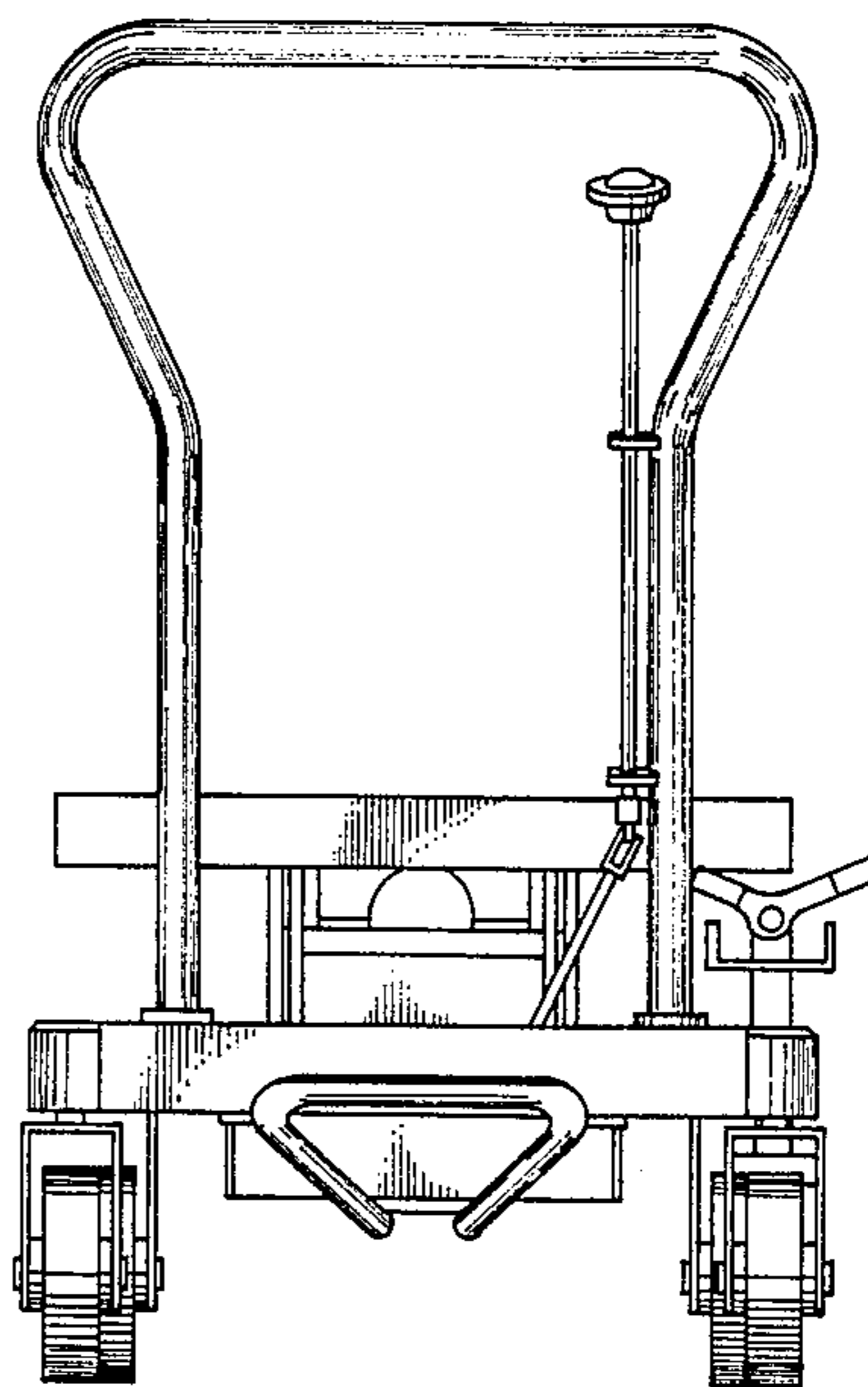


FIG. 7