

[54] HAND-OPERATED LIFT TRUCK

[75] Inventor: Yoshinori Suzuki, Takahamashi, Japan

[73] Assignee: Sugiyasu Iron Works Inc., Japan

[**] Term: 14 Years

[21] Appl. No.: 916,455

[22] Filed: Oct. 7, 1986

[52] U.S. Cl. D34/31; D34/28

[58] Field of Search D34/28, 31; 187/9 R, 187/18; 254/2 B, 122, 9 C; 280/43.12, 35, 651; 414/495

[56] References Cited

U.S. PATENT DOCUMENTS

3,202,233	8/1965	Dolphin et al.	187/9 R
4,526,346	7/1985	Galloway et al.	187/18
4,589,669	5/1986	Kedem	D34/31
4,655,466	4/1987	Hanaoka	187/18
4,692,084	9/1987	Persson	187/18

FOREIGN PATENT DOCUMENTS

1263683	7/1960	France	187/9
---------	--------	--------------	-------

2581634	11/1986	France	254/2 B
671096	1/1961	Japan .	
679139	5/1961	Japan .	
61-5804	11/1985	Japan .	

OTHER PUBLICATIONS

Global Equipment Co., Cat. ©1986, p. 60, "2-in-1 Platform Truck/Lifter".

Primary Examiner—Wallace R. Burke

Assistant Examiner—Kay H. Chin

Attorney, Agent, or Firm—Lahive & Cockfield

[57] CLAIM

The ornamental design for a hand-operated lift truck, as shown.

DESCRIPTION

FIG. 1 is a perspective view of a hand-operated lift truck showing my new design;
 FIG. 2 is a front elevational view thereof.
 FIG. 3 is a rear elevational view thereof.
 FIG. 4 is a top plan view thereof.
 FIG. 5 is a bottom view thereof.
 FIG. 6 is a left side elevational view thereof.
 FIG. 7 is a right side elevational view thereof.

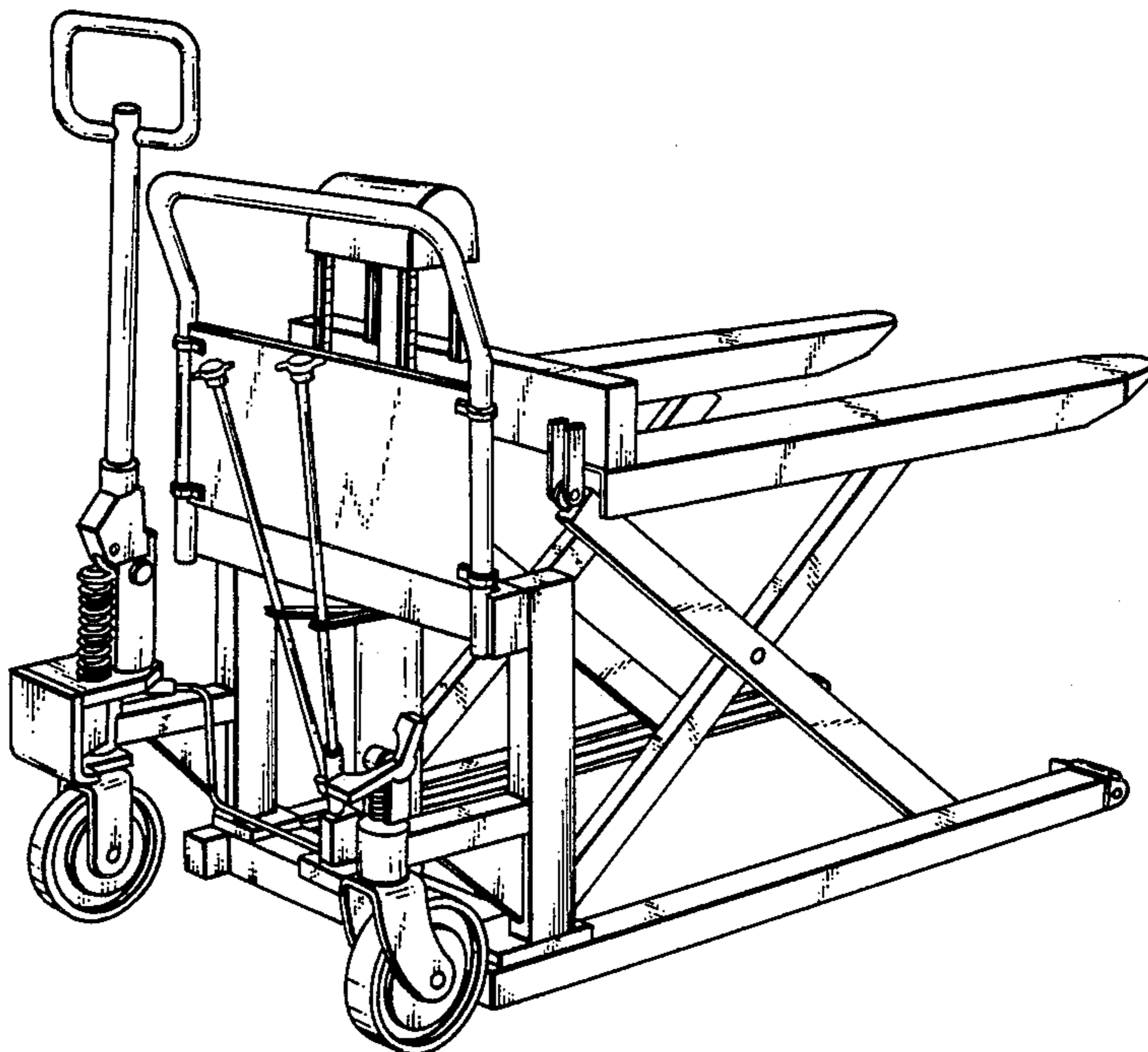


Fig. 1

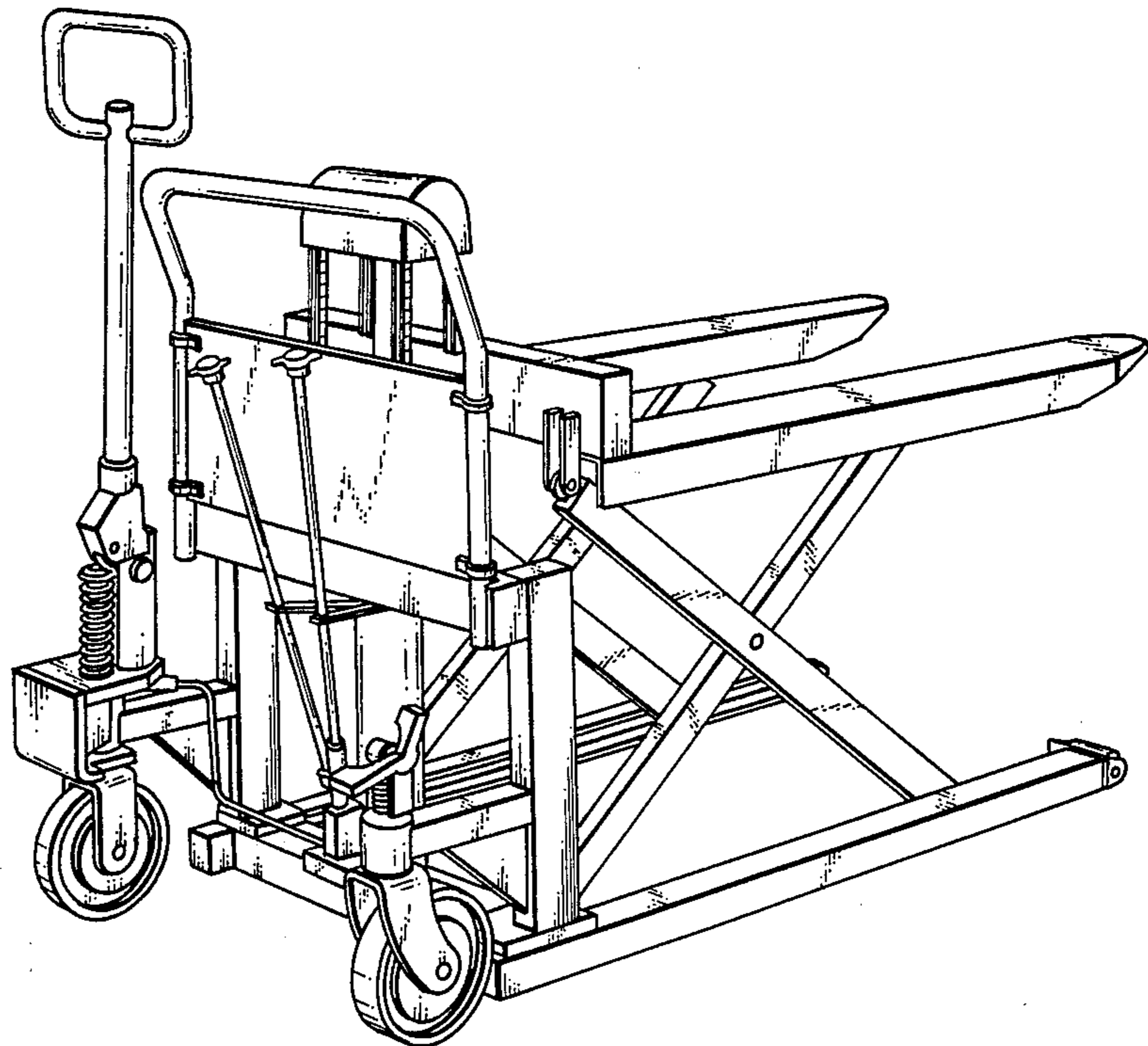


Fig. 2

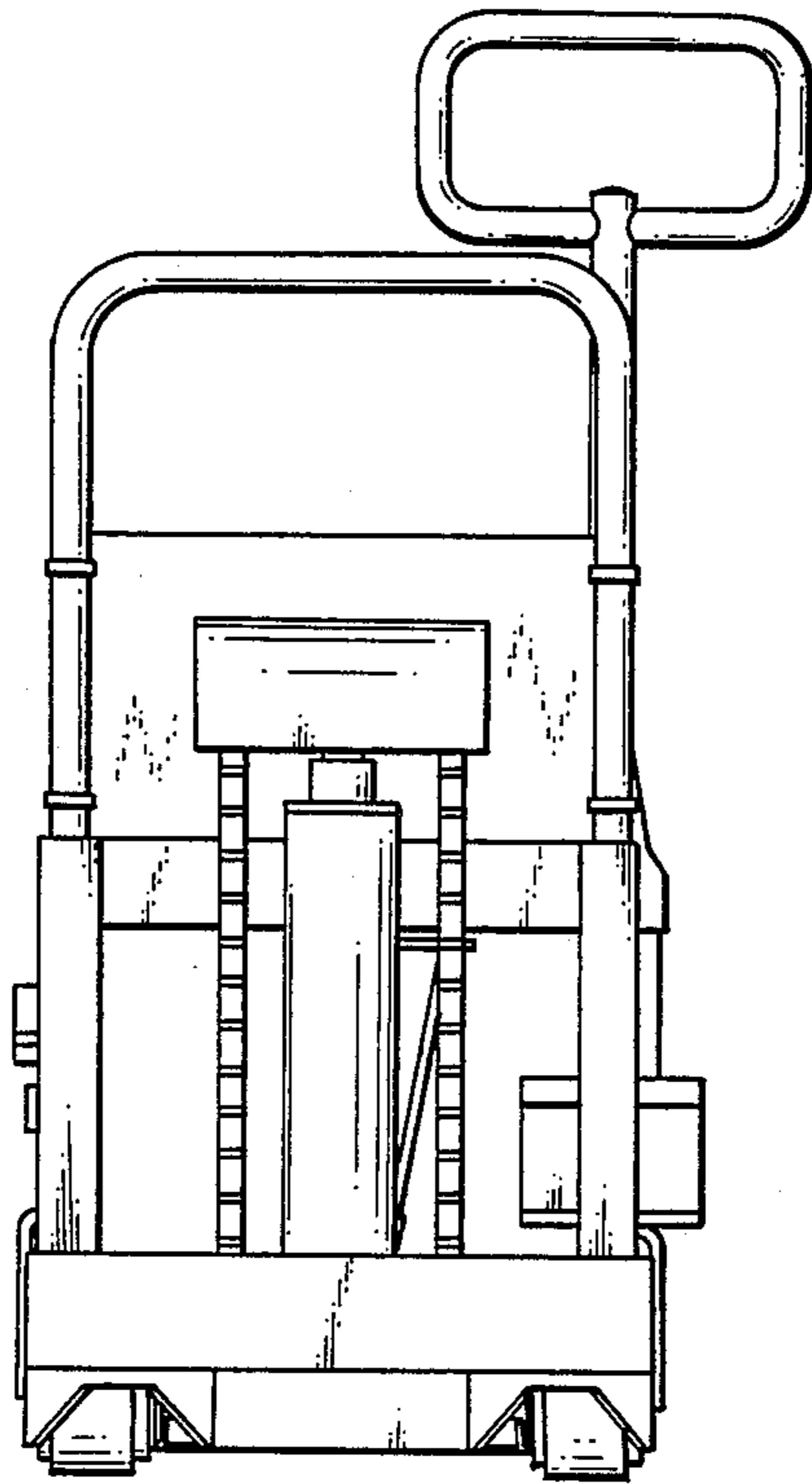


Fig. 3

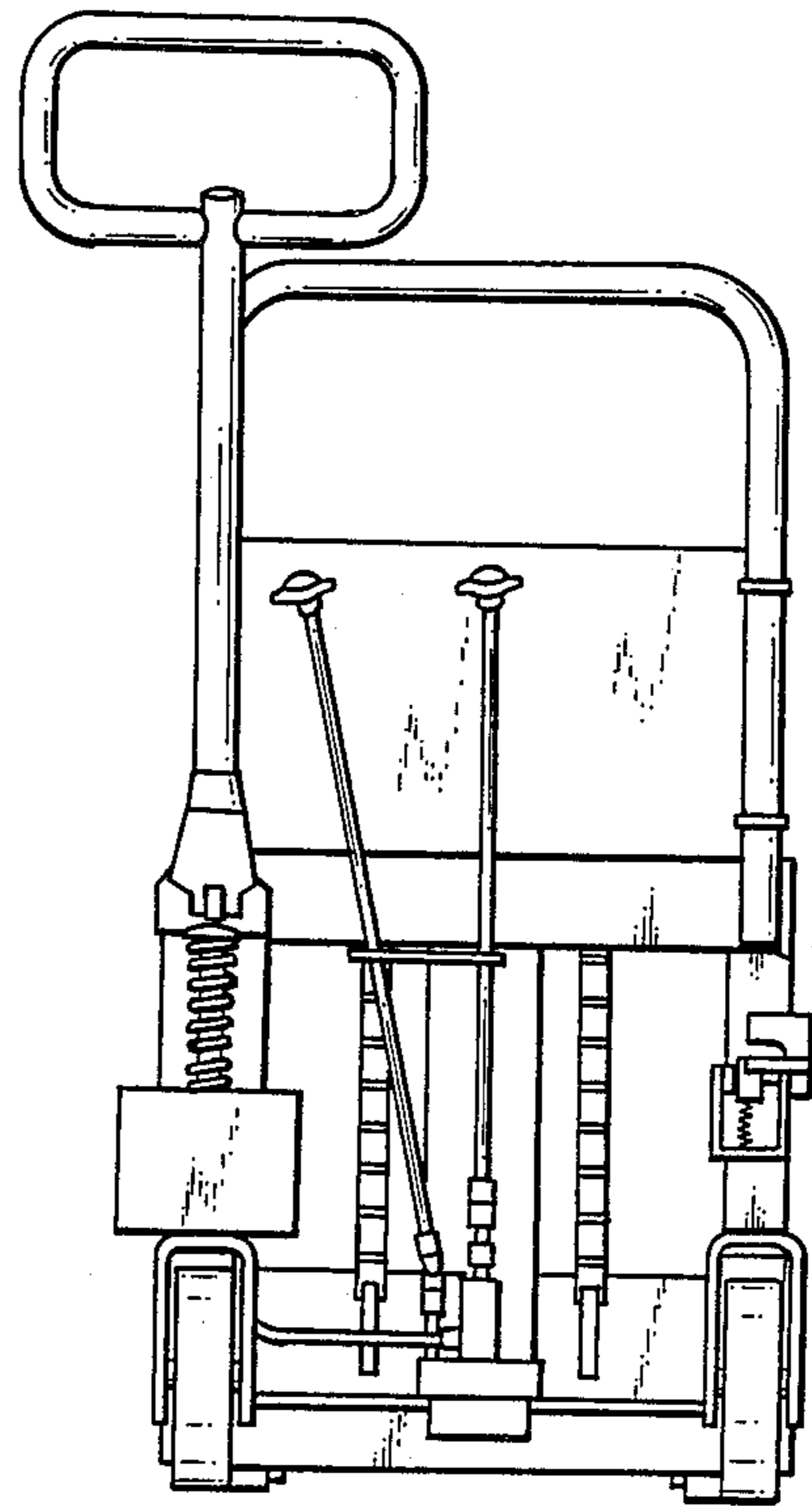


Fig. 4

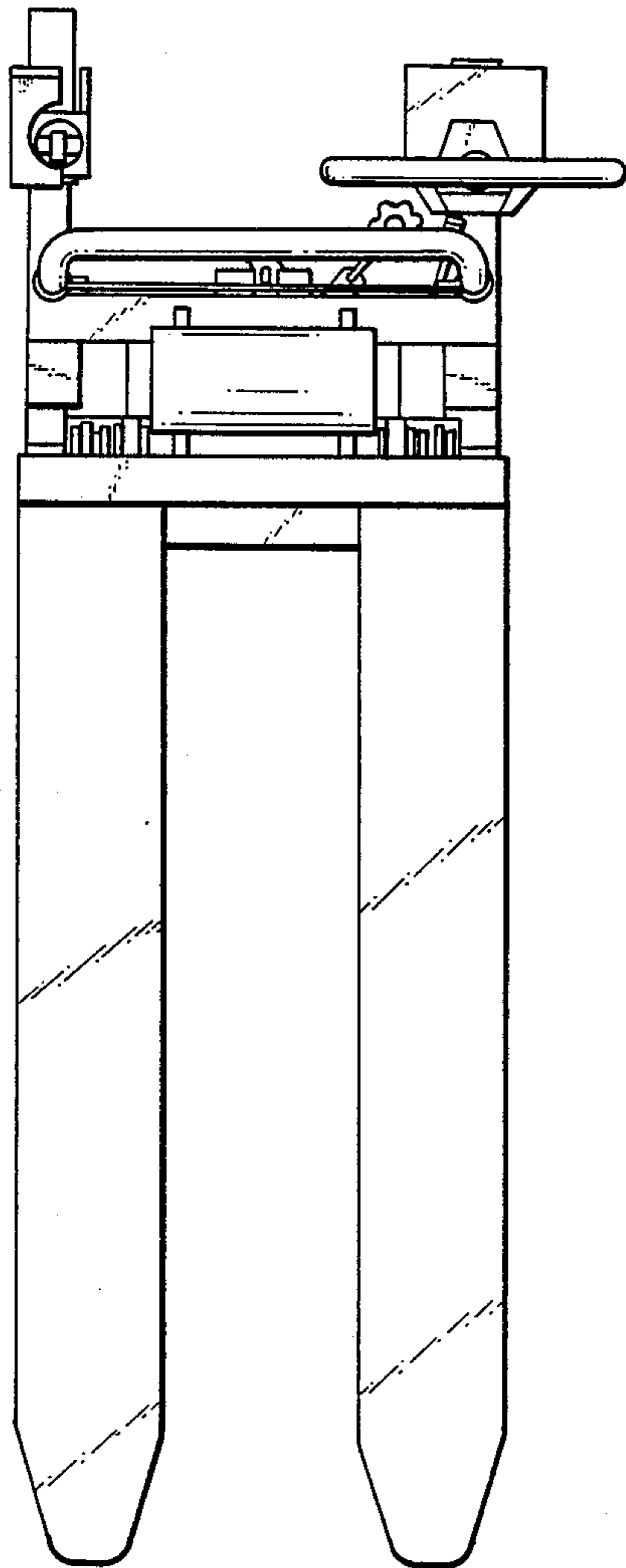


Fig. 5

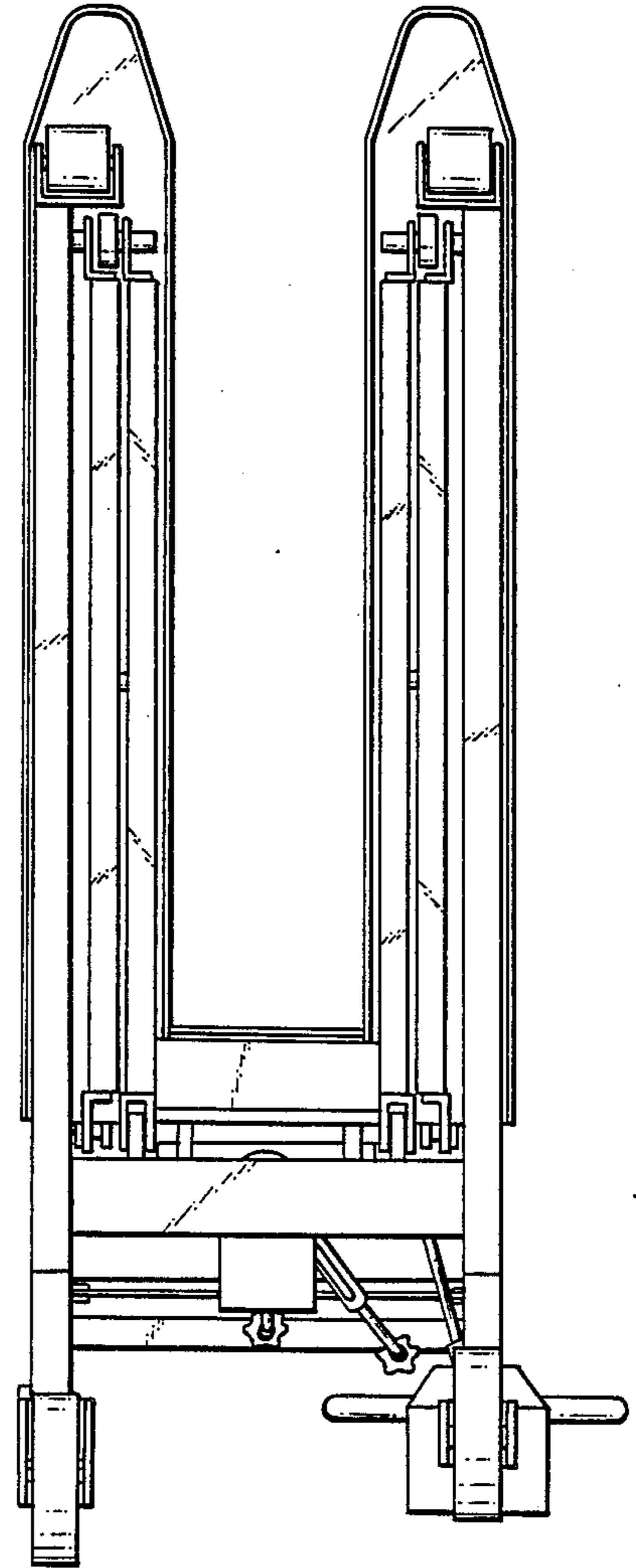


Fig. 6

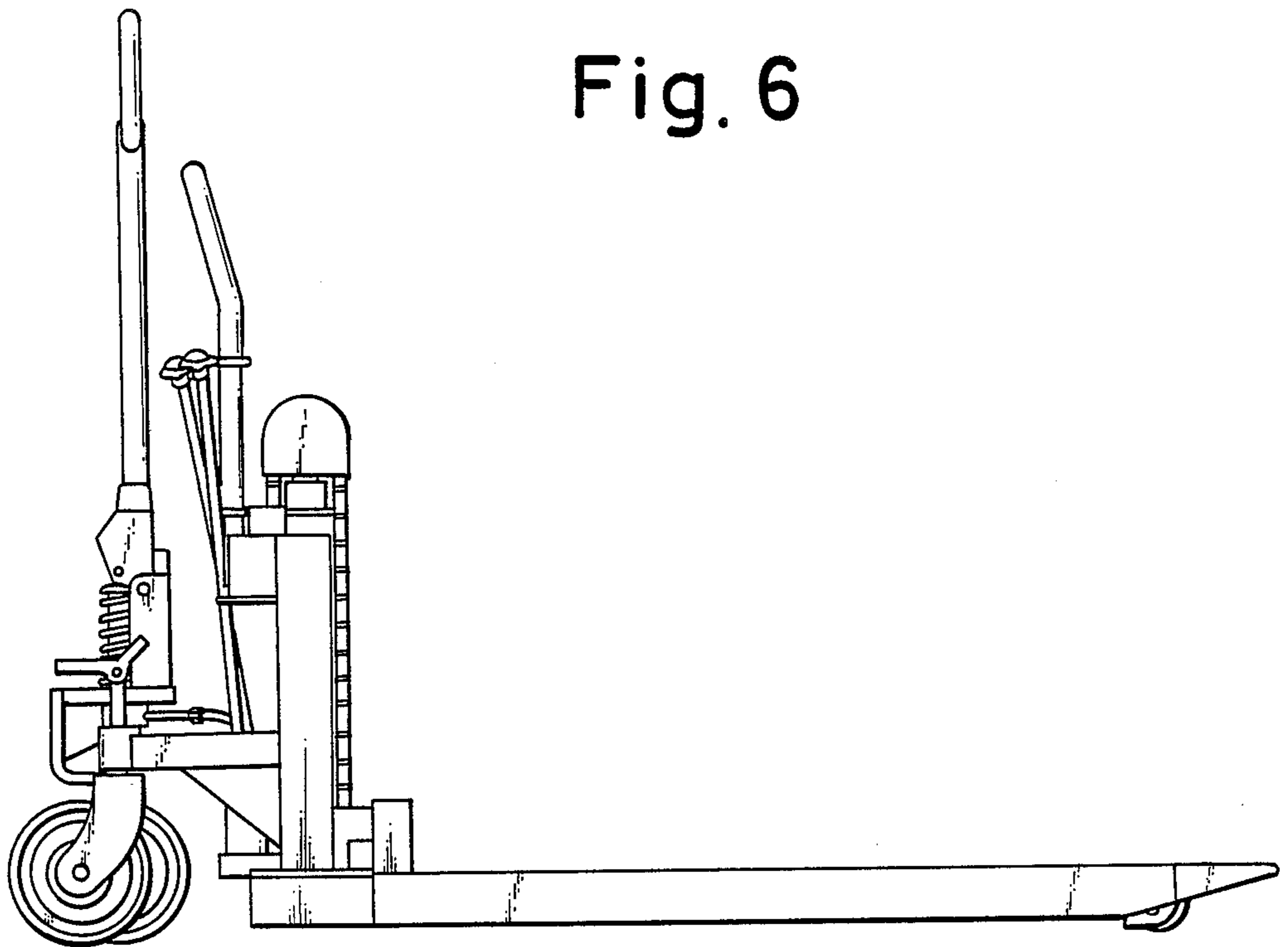


Fig. 7

