

[54] **LOAD ELEVATING TABLE**
[75] **Inventor: Lindsay Wakefield, Toorak, Australia**
[73] **Assignee: Safetech Pty. Ltd., Moe, Australia**
[**] **Term: 14 Years**
[21] **Appl. No.: 867,253**
[22] **Filed: May 20, 1986**
[52] **U.S. Cl. D34/31; D34/28**
[58] **Field of Search D34/28, 31, 32; 254/88, 254/122, 124**

[56] **References Cited**
U.S. PATENT DOCUMENTS
1,954,558 4/1934 Conrad D34/31
3,110,476 11/1963 Farris 254/122
4,526,346 7/1985 Galloway et al. 254/122
4,573,663 3/1986 Nussbaum 254/122
4,659,066 4/1987 VanLierop D34/31
4,741,512 5/1988 Elkuch et al. 254/122

Primary Examiner—Wallace R. Burke

Assistant Examiner—Kay H. Chin
Attorney, Agent, or Firm—Burns, Doane, Swecker & Mathis

[57] **CLAIM**
The ornamental design for a load elevating table, as shown and described.

DESCRIPTION
FIG. 1 is a side elevational view of a load elevating table showing my new design, the opposite side elevational view being a mirror image of that shown; FIG. 2 is a top plan view thereof; FIG. 3 is a left end elevational view thereof; FIG. 4 is a right end elevational view thereof; FIG. 5 is a bottom plan view thereof; FIG. 6 is a side elevational view of a second embodiment of the load elevating table, the sole difference from the first embodiment being in the casters attached to the bottom thereof; FIG. 7 is a left end elevational view of FIG. 6; FIG. 8 is a right end elevational view of FIG. 6; FIG. 9 is a top plan view of FIG. 6; and FIG. 10 is a bottom plan view of FIG. 6.

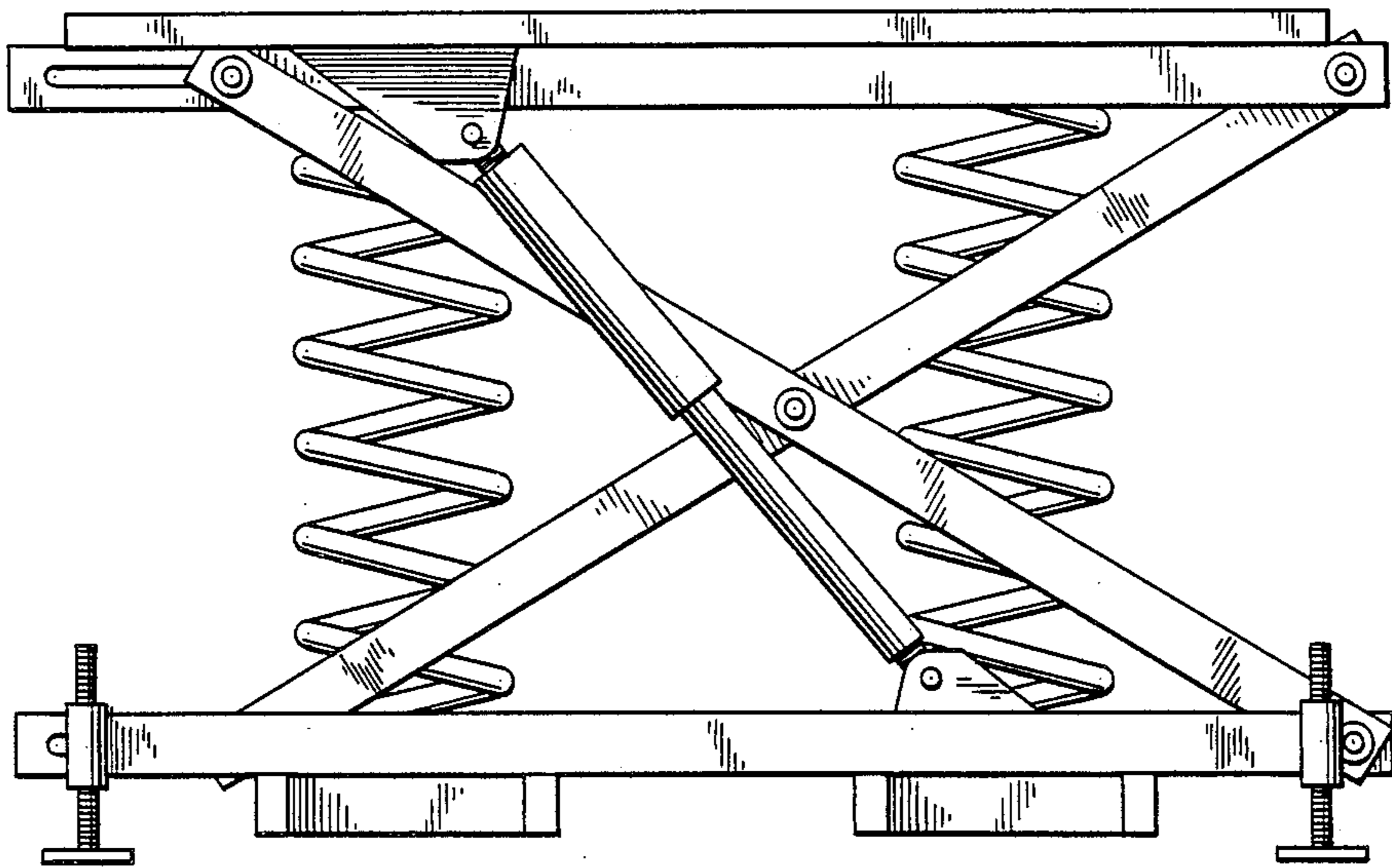


FIG. 1

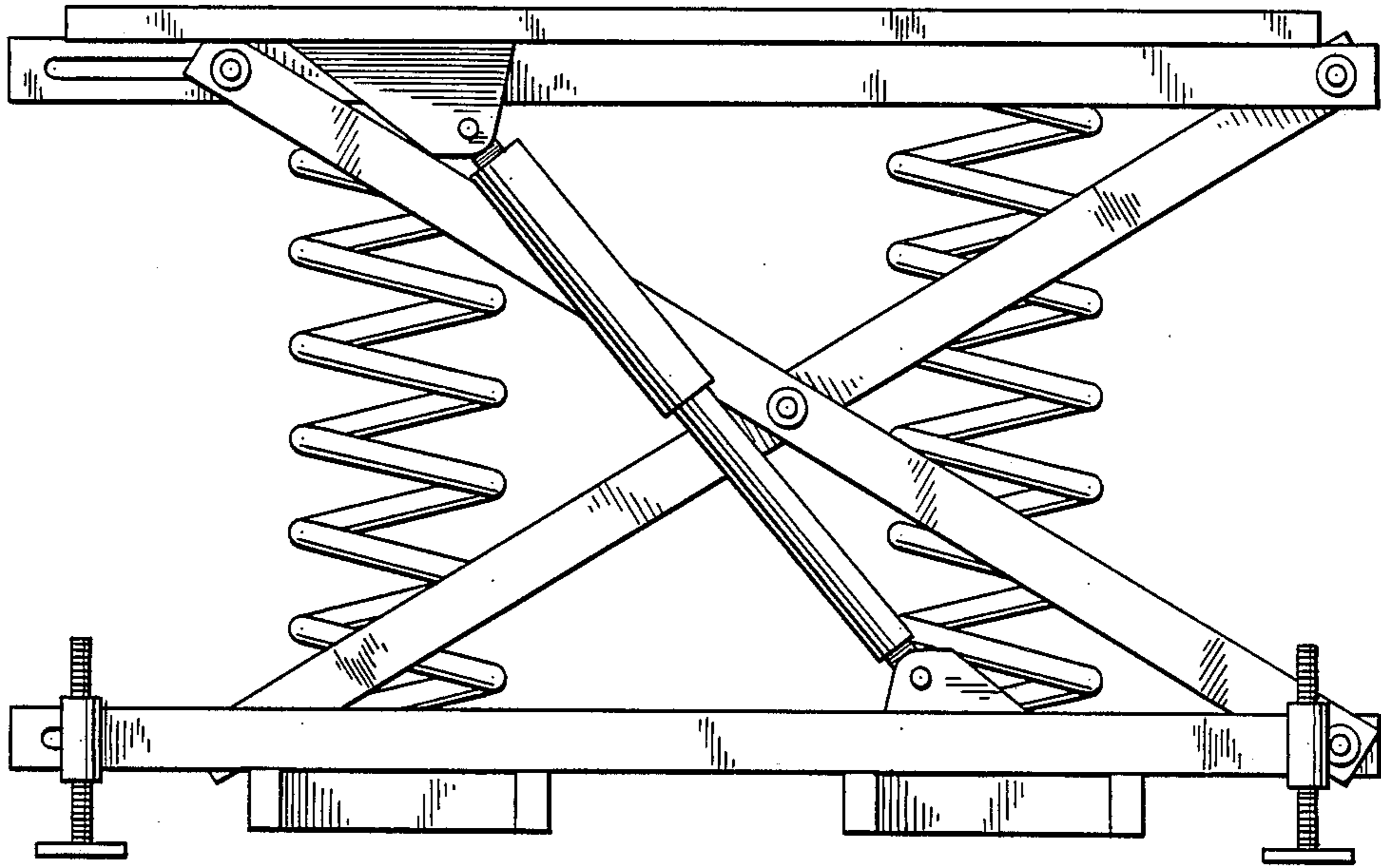


FIG. 2

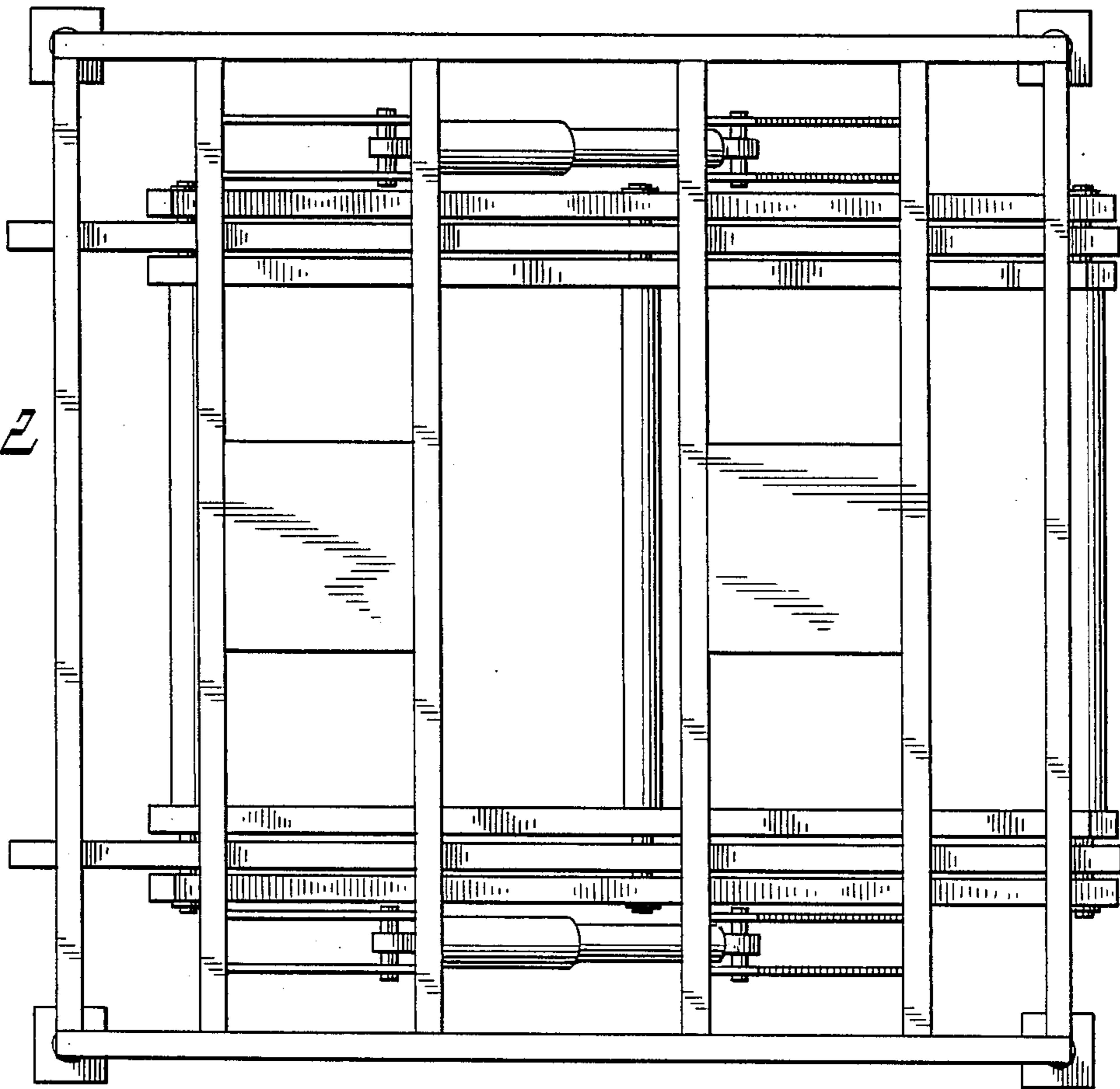


FIG. 3

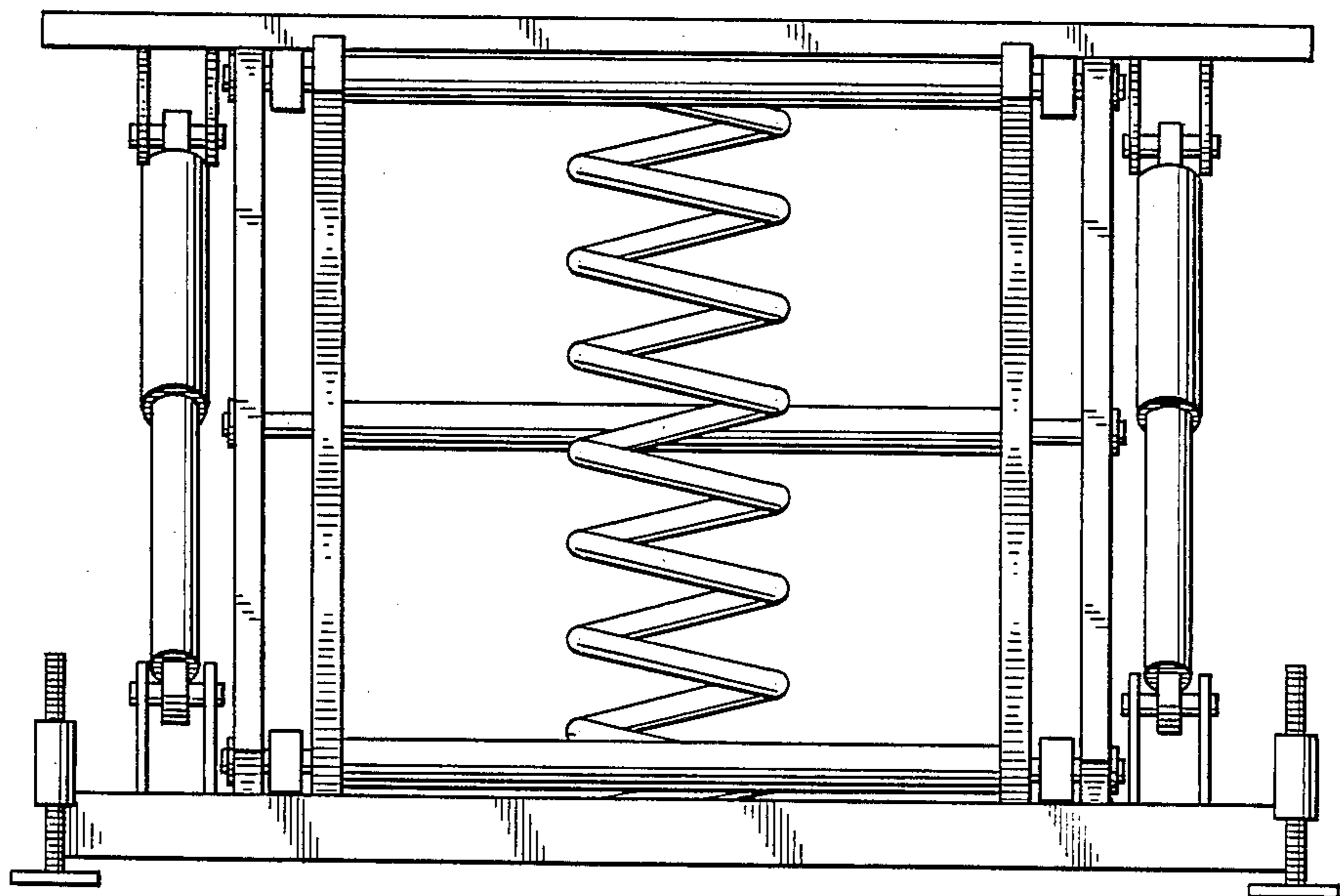
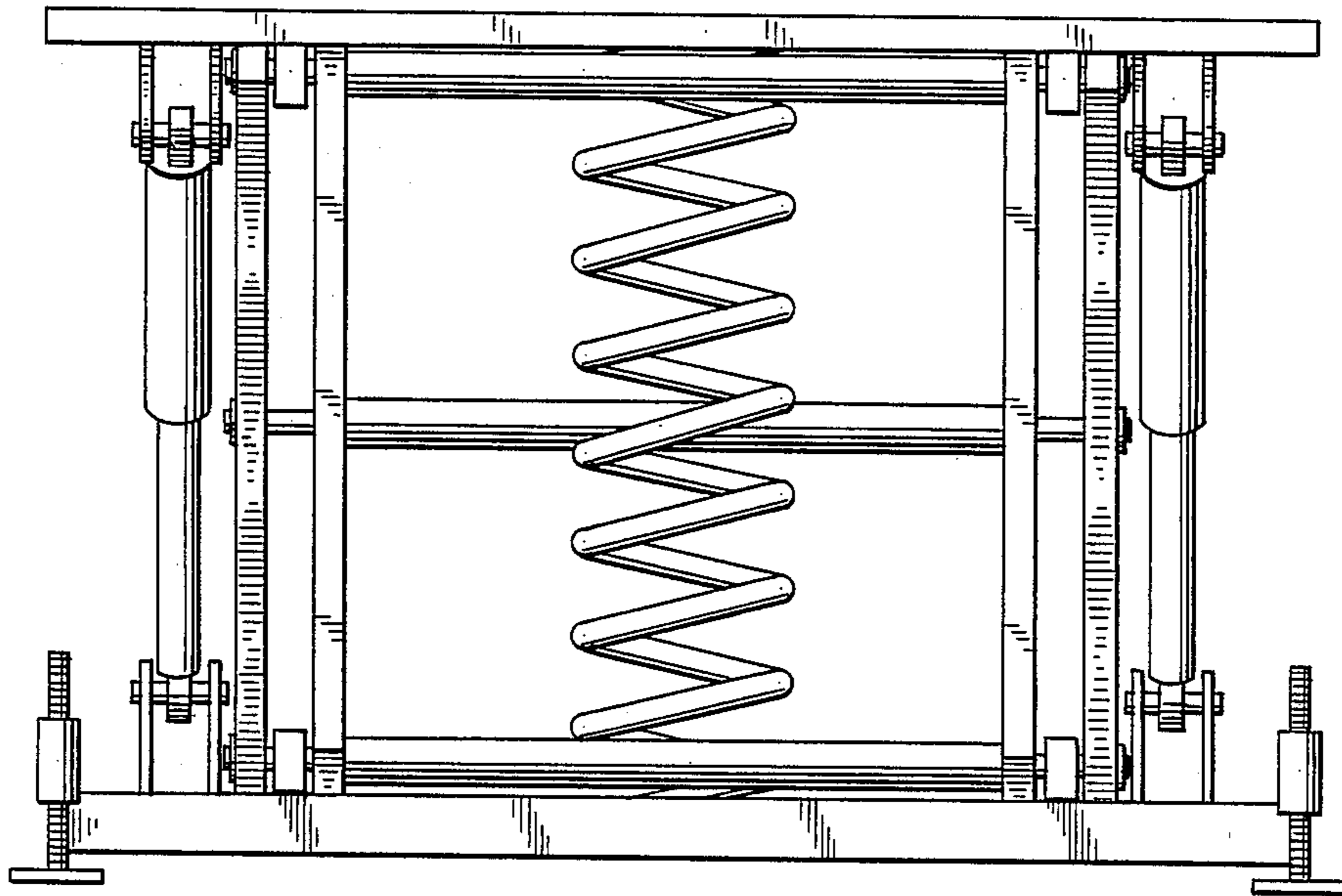


FIG. 4

FIG. 5

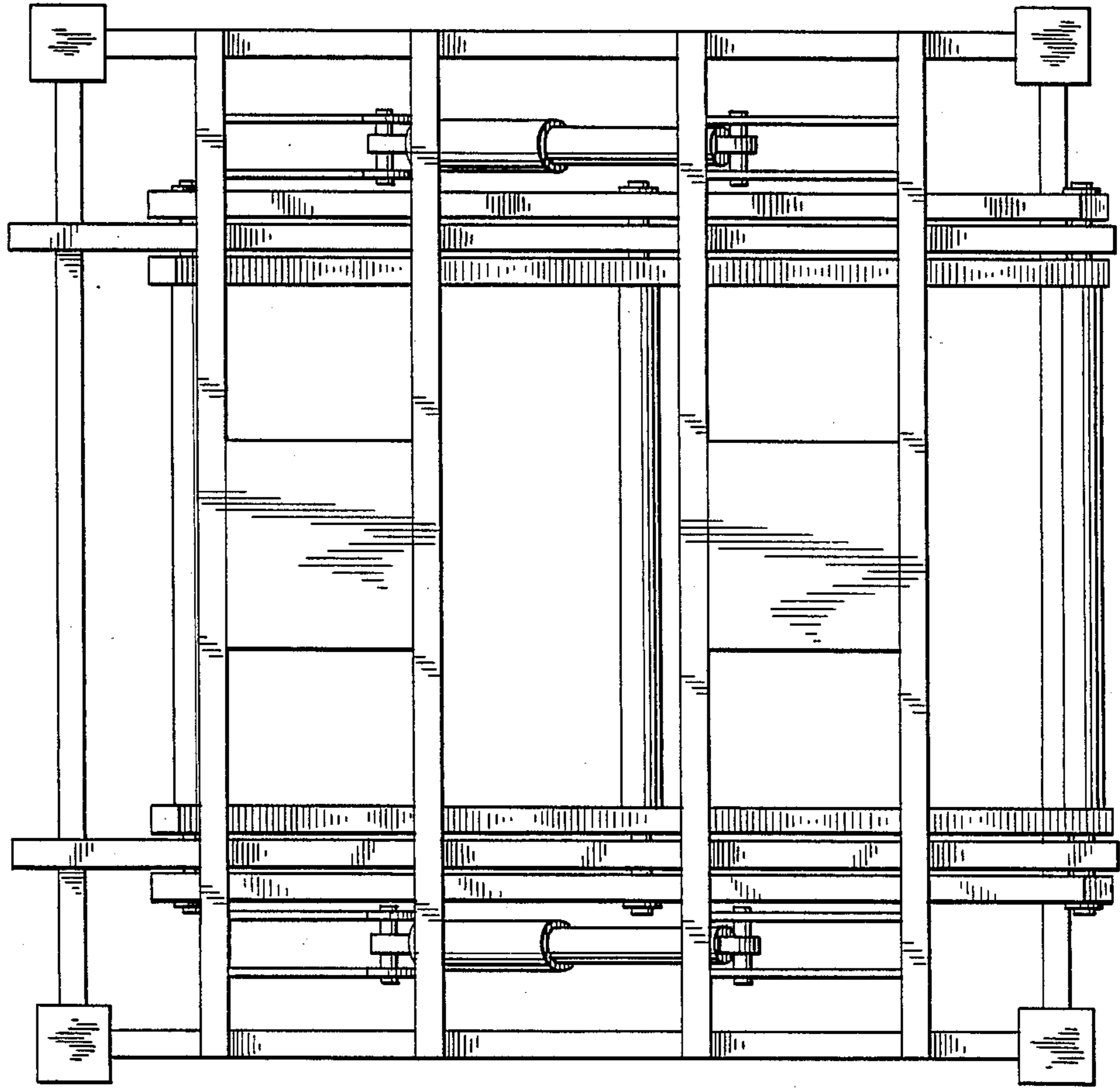


FIG. 6

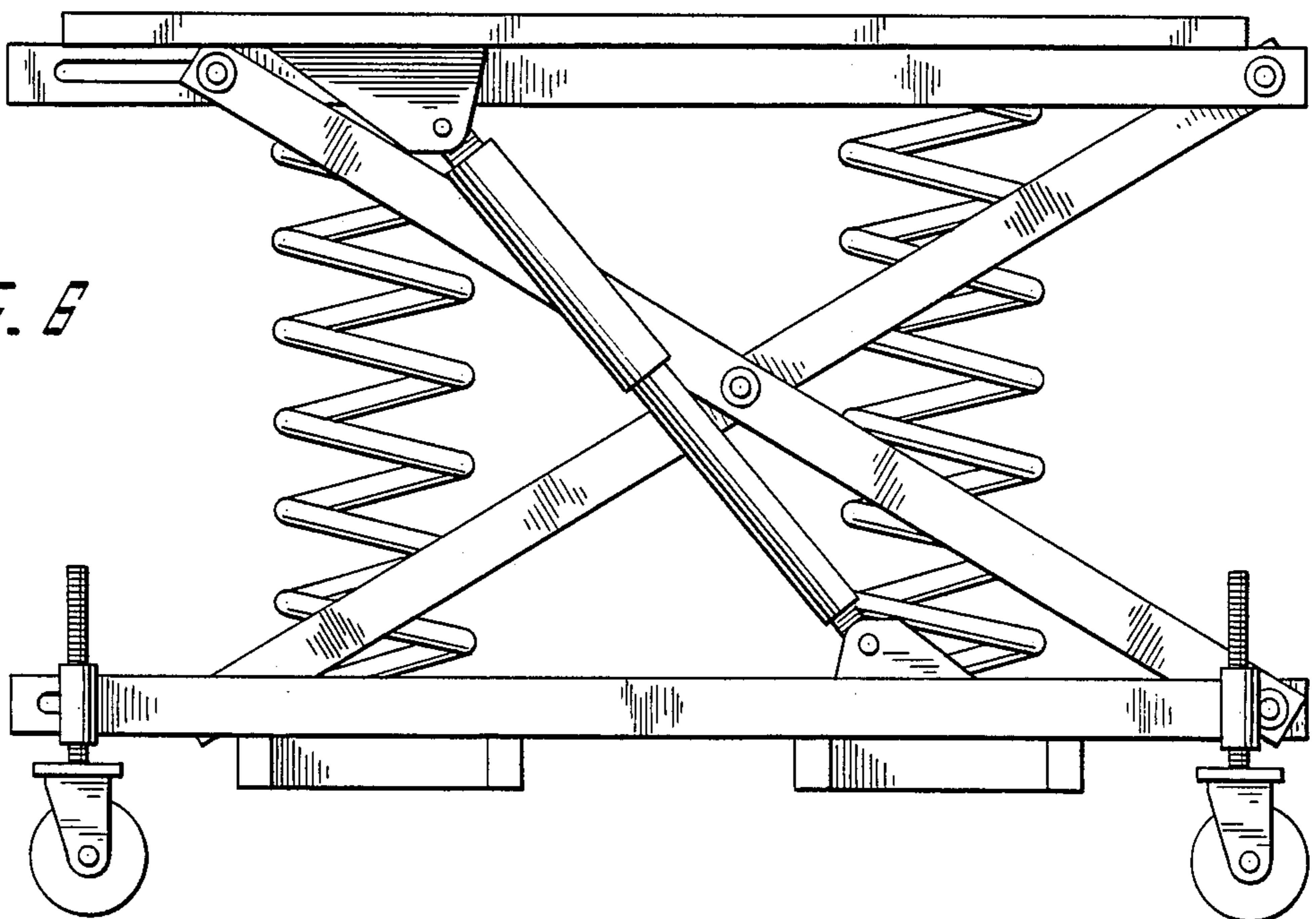


FIG. 1

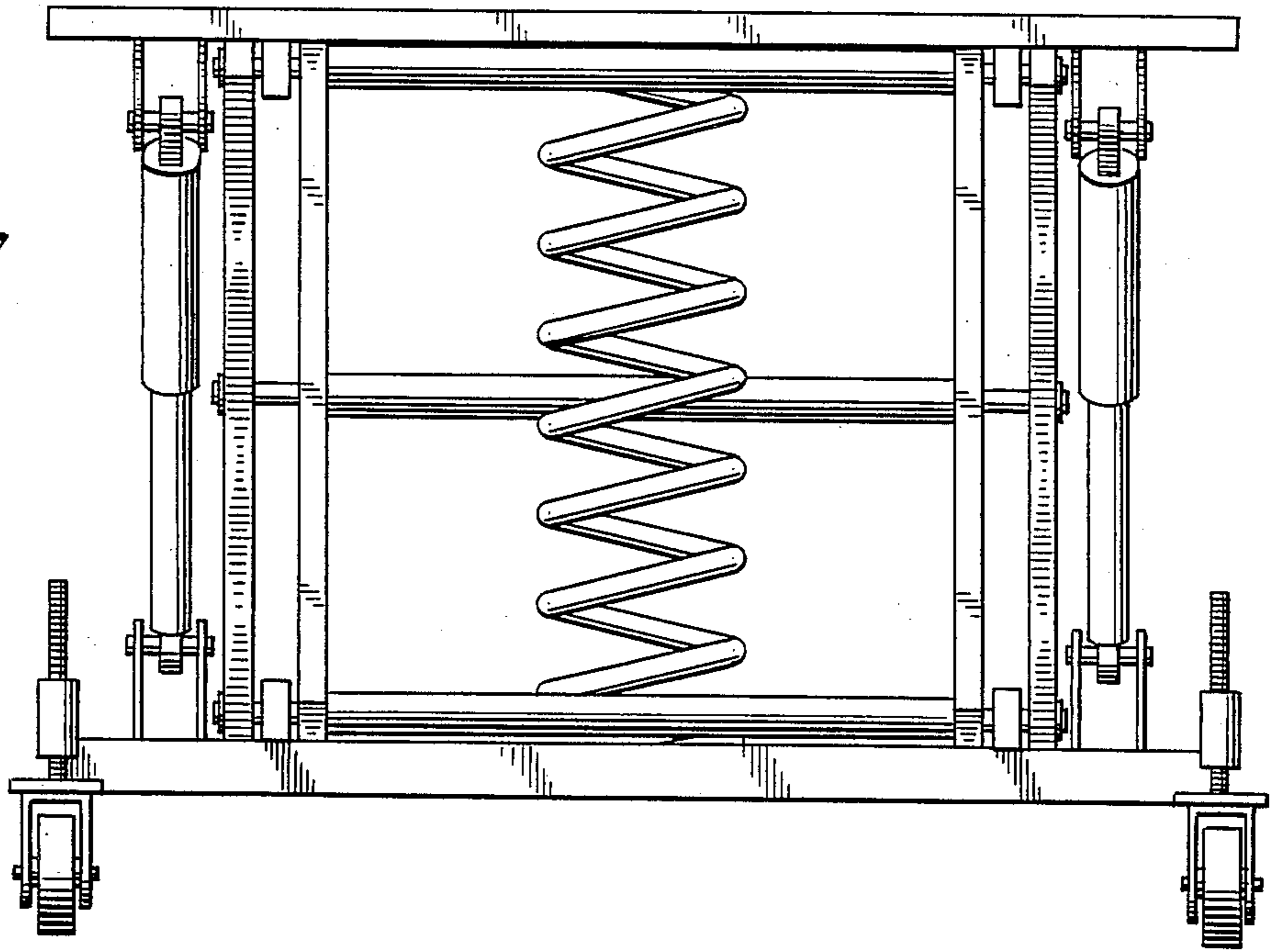


FIG. 2

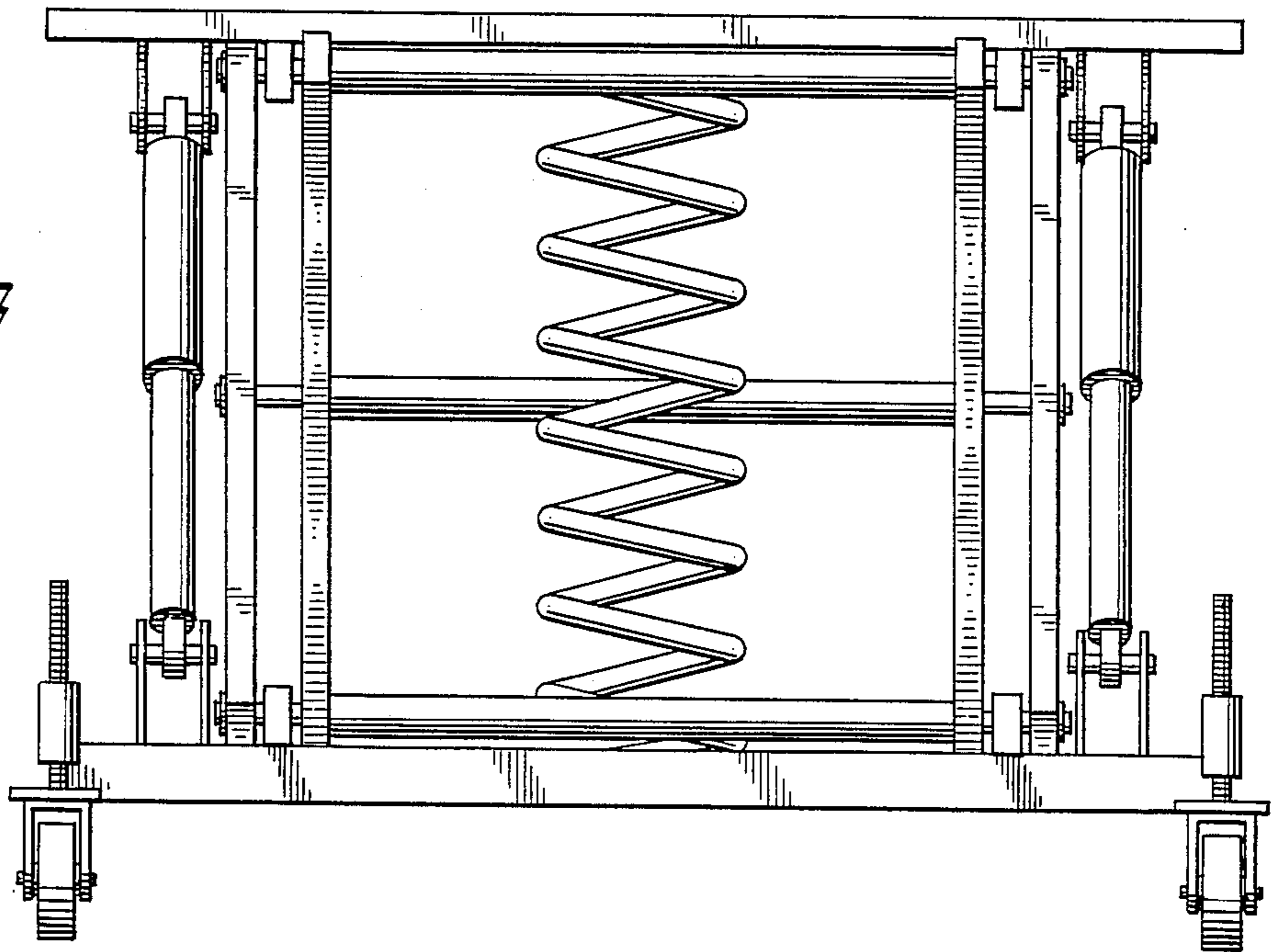


Fig. 9

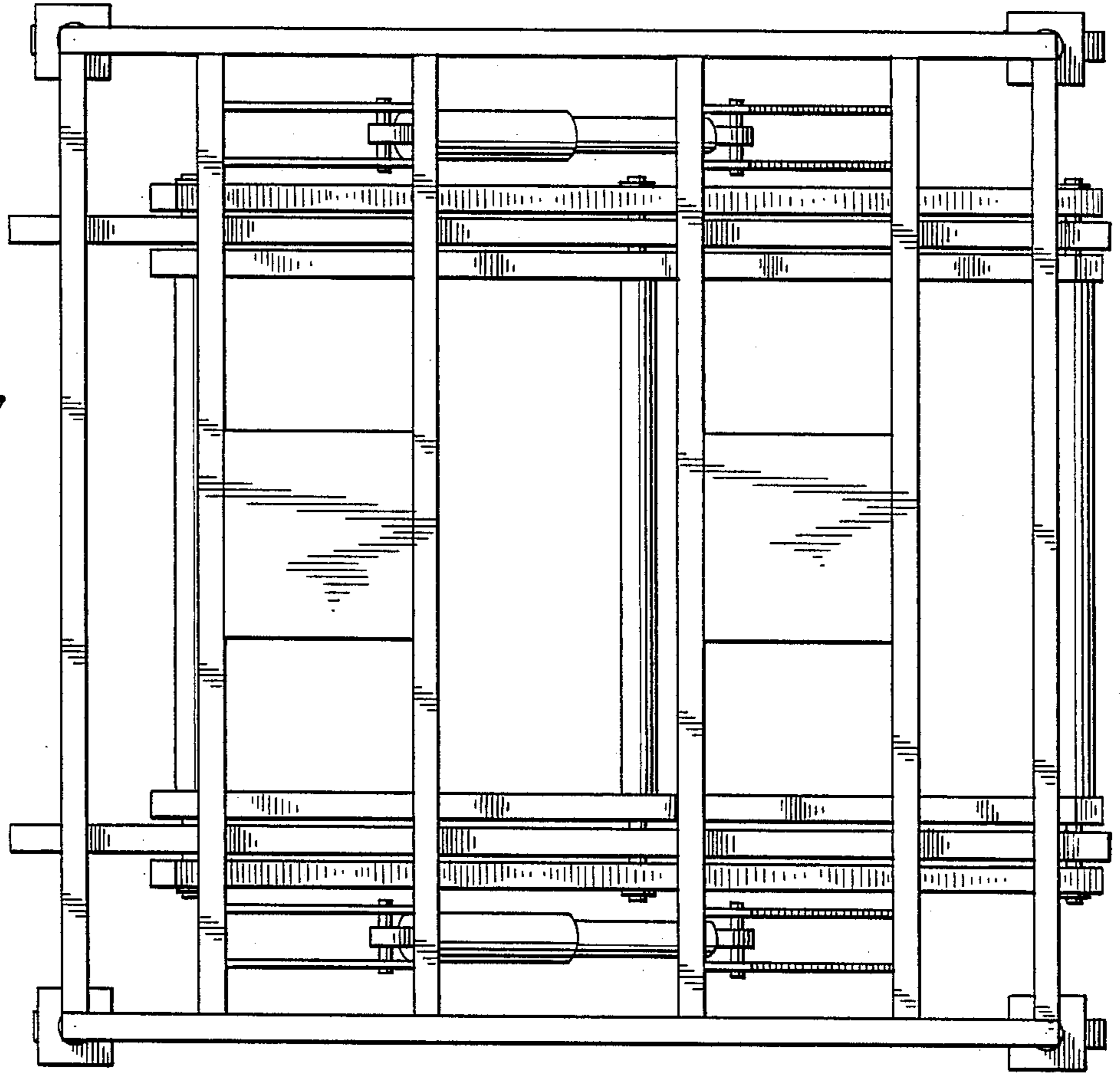


Fig. 10

