

[54] WHEELED HAND TRUCK FOR
TRANSPORTING A COOLER OR THE LIKE

[76] Inventor: Sharron H. Callahan, 1589 W. 4300
South, Saltlake, Utah 84123

[**] Term: 14 Years

[21] Appl. No.: 3,916

[22] Filed: Jan. 16, 1987

[52] U.S. Cl. D34/23; D34/17

[58] Field of Search D34/12, 17, 23;
280/47.34, 35, 638, 656, 47.35, 79.1 A

[56] References Cited

U.S. PATENT DOCUMENTS

2,018,527	10/1935	Kerr	280/39
2,657,939	11/1953	Beebe	280/103
2,789,756	4/1957	Allen	280/659
2,840,384	6/1958	Bard	280/79.1 A
3,215,401	11/1965	Grabarski	280/35
3,400,942	9/1968	Hull	280/39
3,770,152	11/1973	Niemuth	D34/17
3,854,747	12/1974	Johnston	280/34 B
4,274,644	6/1981	Taylor	280/39

FOREIGN PATENT DOCUMENTS

2171064 8/1986 United Kingdom 280/47.34

OTHER PUBLICATIONS

Metropolitan Wire Goods Corp. brochure, Sani-Stack Aluminum Dolly.

Primary Examiner—Wallace R. Burke

Assistant Examiner—Kay H. Chin

Attorney, Agent, or Firm—Terry M. Gernstein

[57] CLAIM

The ornamental design for a wheeled hand truck for transporting a cooler or the like, as shown and described.

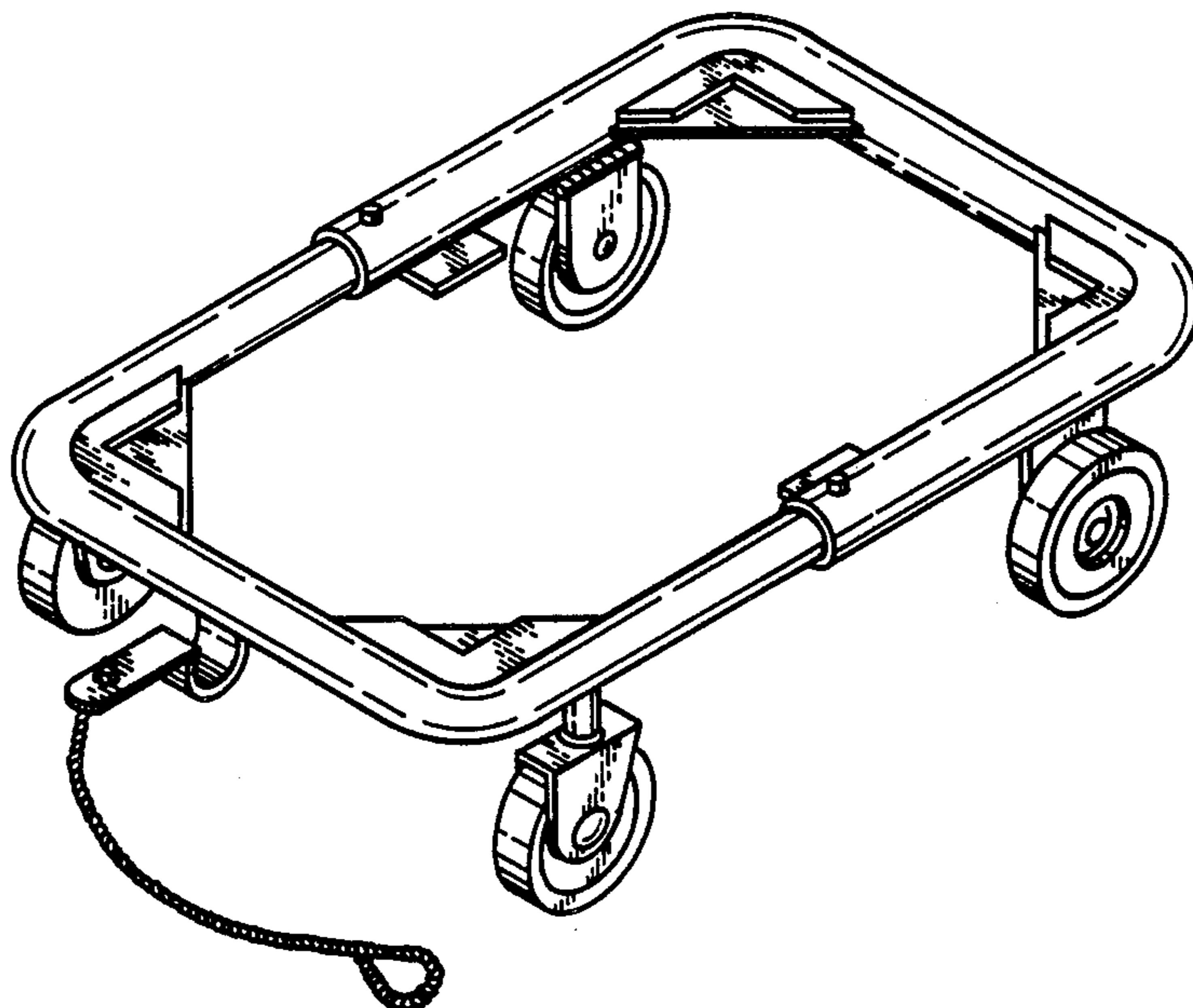
DESCRIPTION

FIG. 1 is a perspective view of a wheeled hand truck for transporting a cooler or the like showing my new design;

FIG. 2 is a rear elevational view thereof;

FIG. 3 is a side elevational view thereof, the opposite side elevational view being a mirror image of that shown;

FIG. 4 is a top plan view thereof.



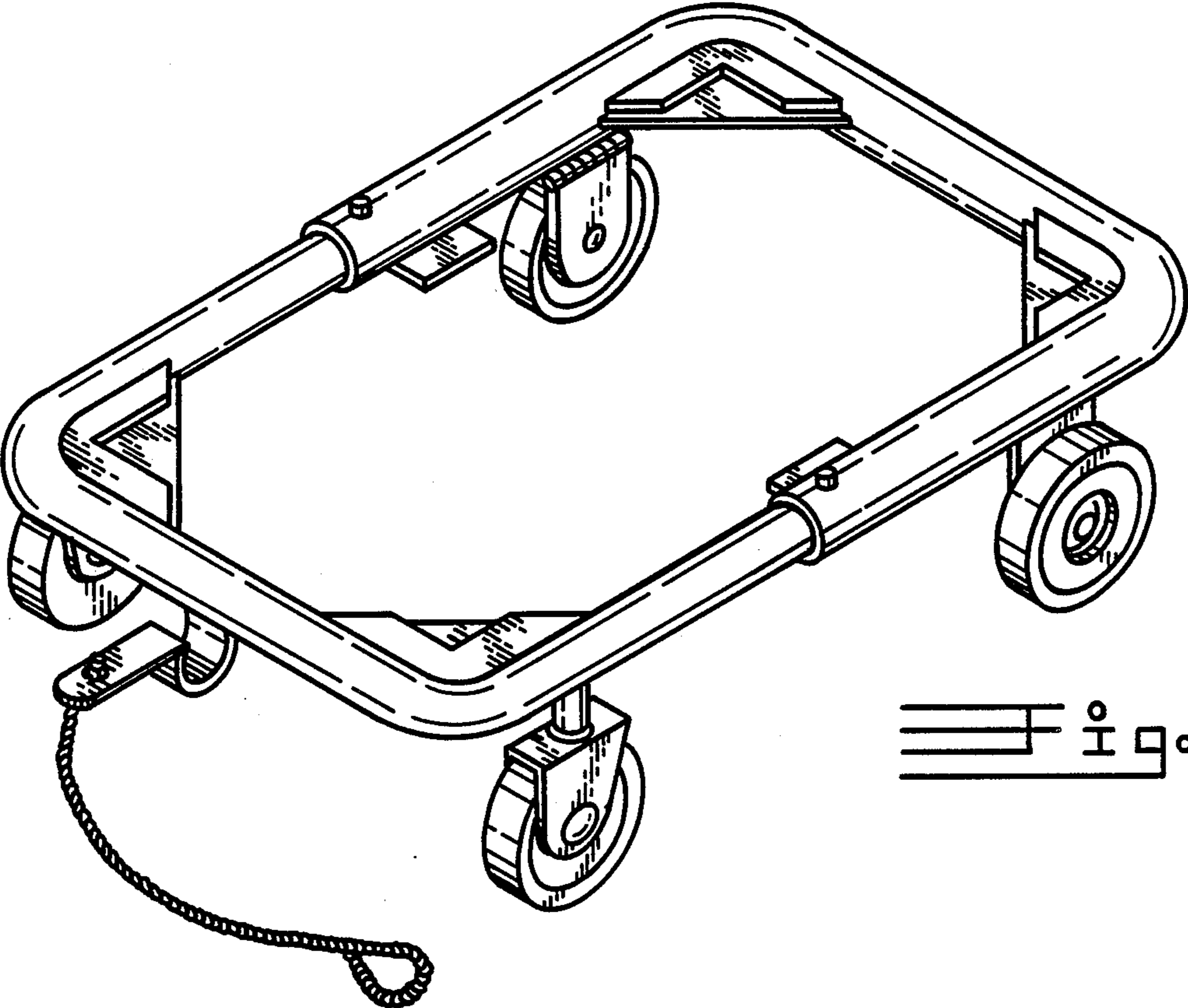


Fig. 1

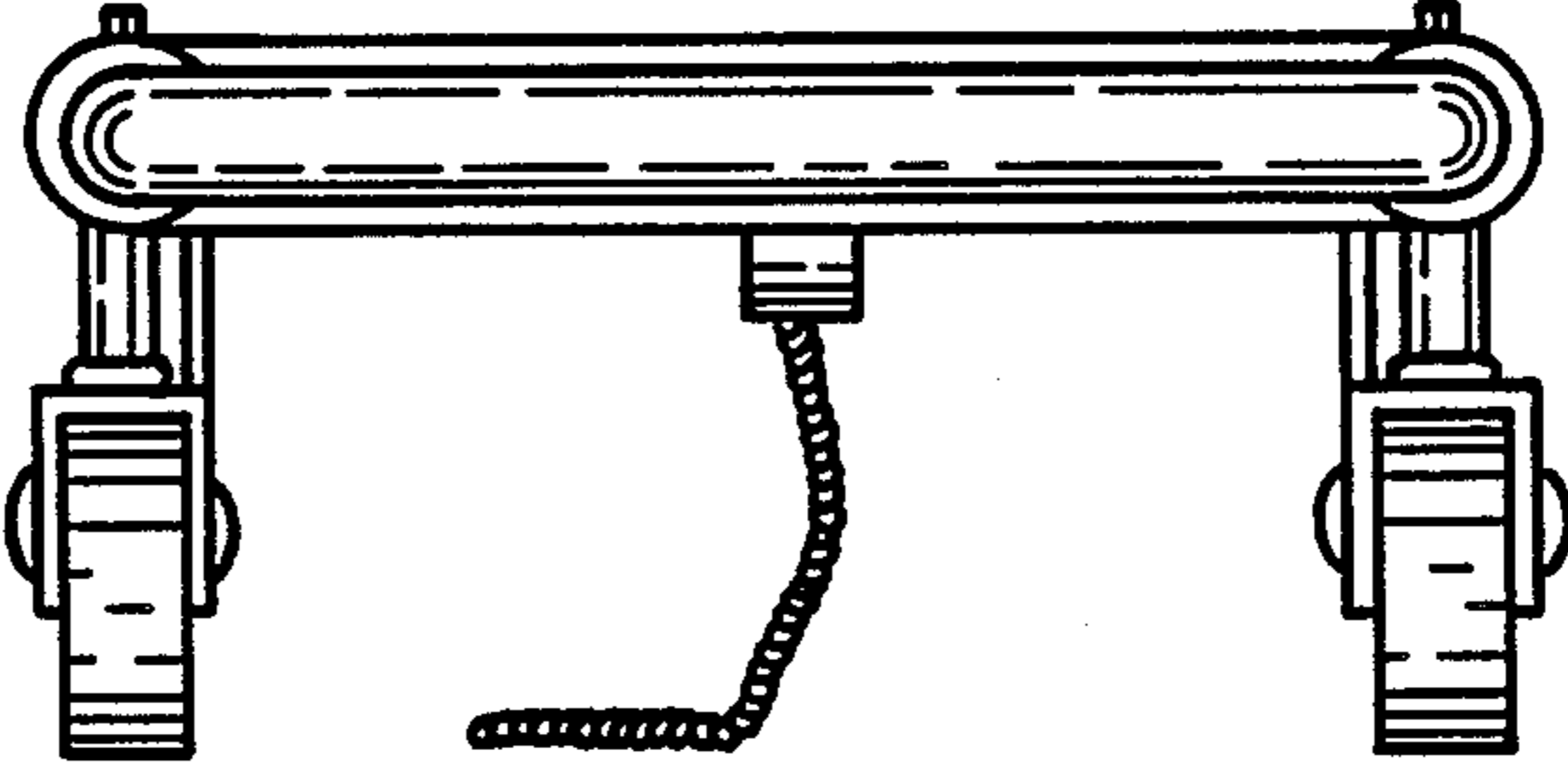


Fig. 2

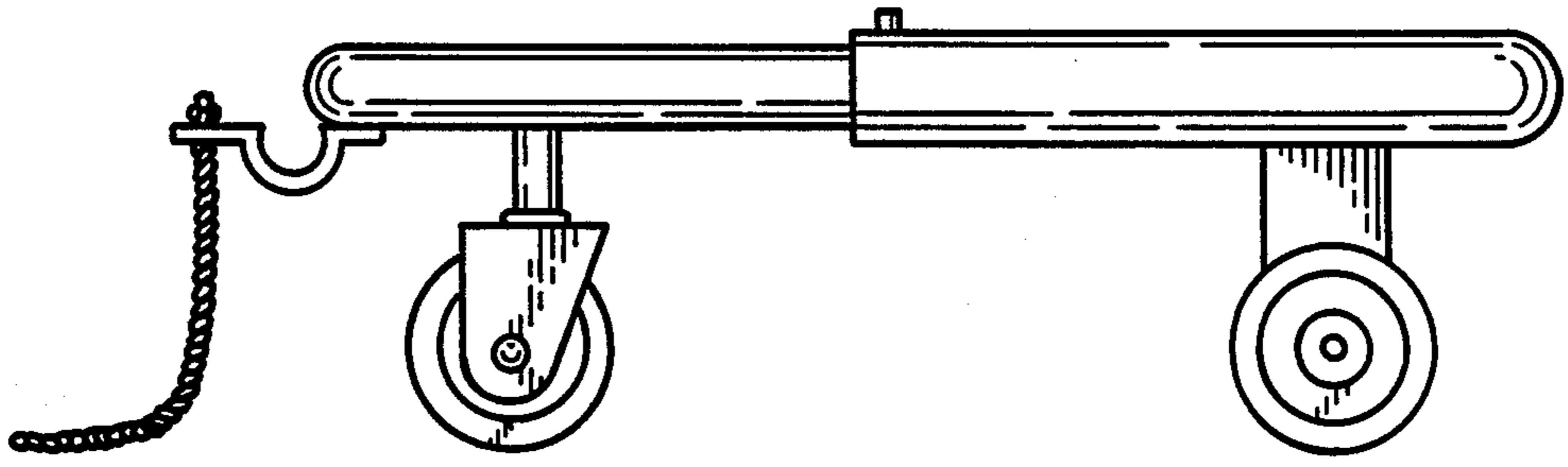


Fig. 3

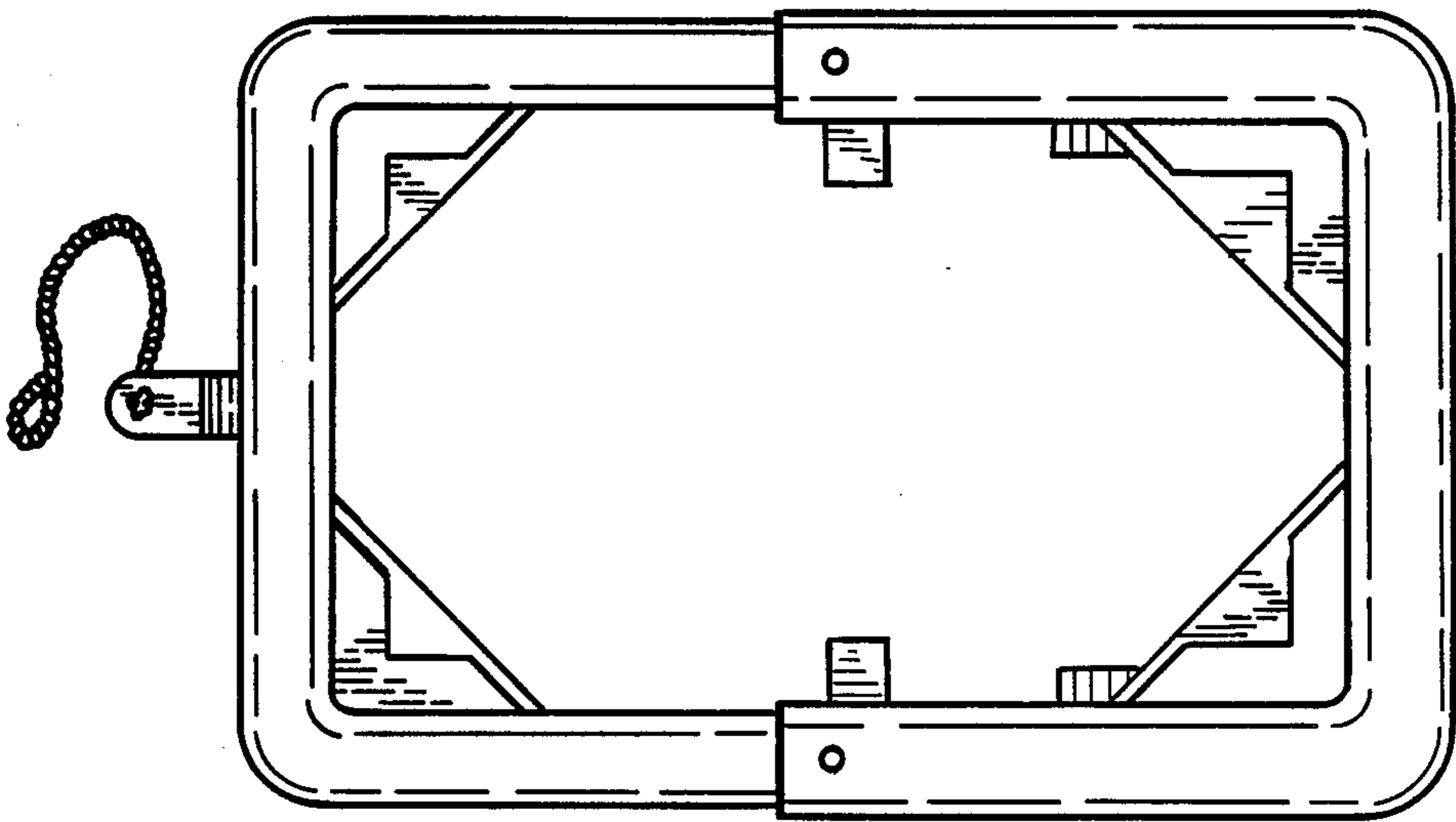


Fig. 4