

[54] WHEELED HAND TRUCK FOR TRANSPORTING A COOLER OR THE LIKE

[76] Inventor: Howard Lardell, 2006 Oxford St., Twinsburg, Ohio 44087

[\*\*] Term: 14 Years

[21] Appl. No.: 853,411

[22] Filed: Apr. 18, 1986

[52] U.S. Cl. .... D34/23; D34/12; 280/79.4

[58] Field of Search ..... D34/12, 17, 23; 280/47.34, 35, 638, 656, 47.35, 79.1 A

[56] References Cited

U.S. PATENT DOCUMENTS

- 2,840,384 6/1958 Bard ..... 280/79.1 A
- 3,215,401 11/1965 Grabarski ..... 280/35
- 3,770,152 11/1973 Niemuth ..... D34/17

FOREIGN PATENT DOCUMENTS

- 2171064 8/1986 United Kingdom ..... 280/47.34

OTHER PUBLICATIONS

Metropolitan Wire Goods Corp. brochure, Sani-Stack Aluminum Dolly.

Primary Examiner—Wallace R. Burke

Assistant Examiner—Kay H. Chin

Attorney, Agent, or Firm—Terry M. Gernstein

[57] CLAIM

The ornamental design for a wheeled hand truck for transporting a cooler or the like, as shown and described.

DESCRIPTION

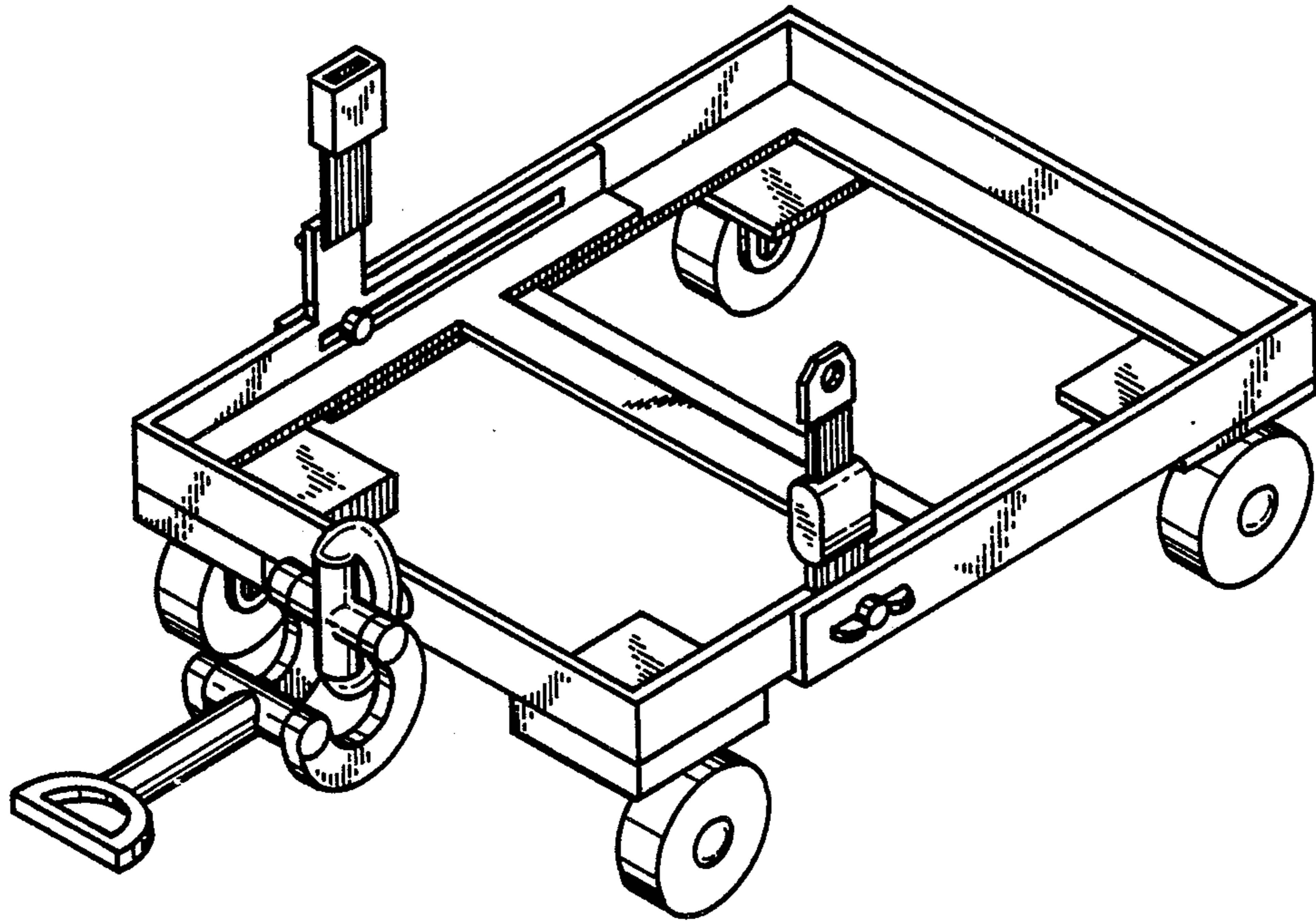
FIG. 1 is a side elevation view of a wheeled hand truck for transporting a cooler or the like showing my new design.

FIG. 2 is a front end elevation view thereof.

FIG. 3 is a rear end elevational view thereof, with the strap in retracted condition;

FIG. 4 is a top perspective view thereof, with the handle and the strap in retracted condition; and

FIG. 5 is a top plan view thereof, with the strap in retracted condition.



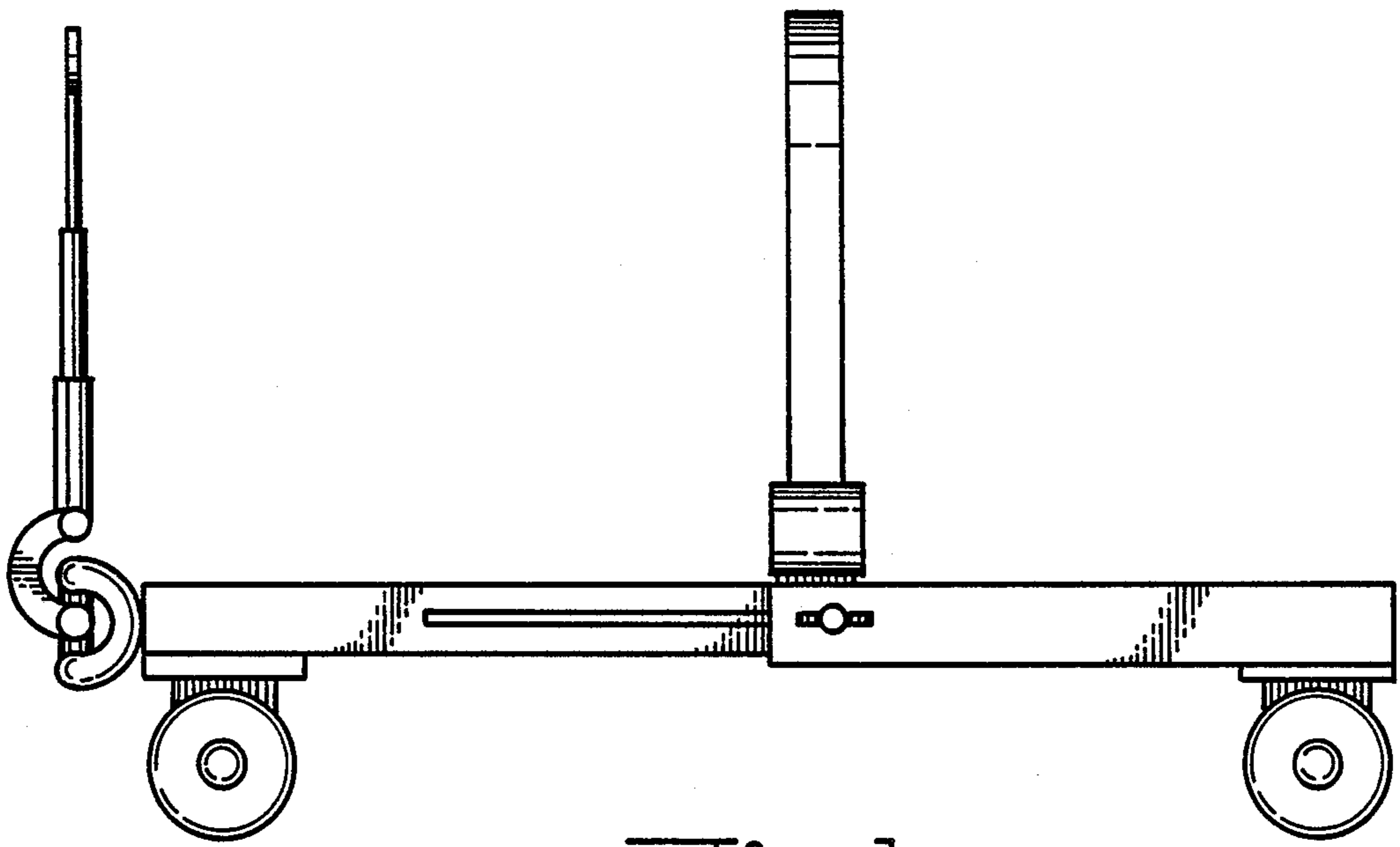


Fig. 1

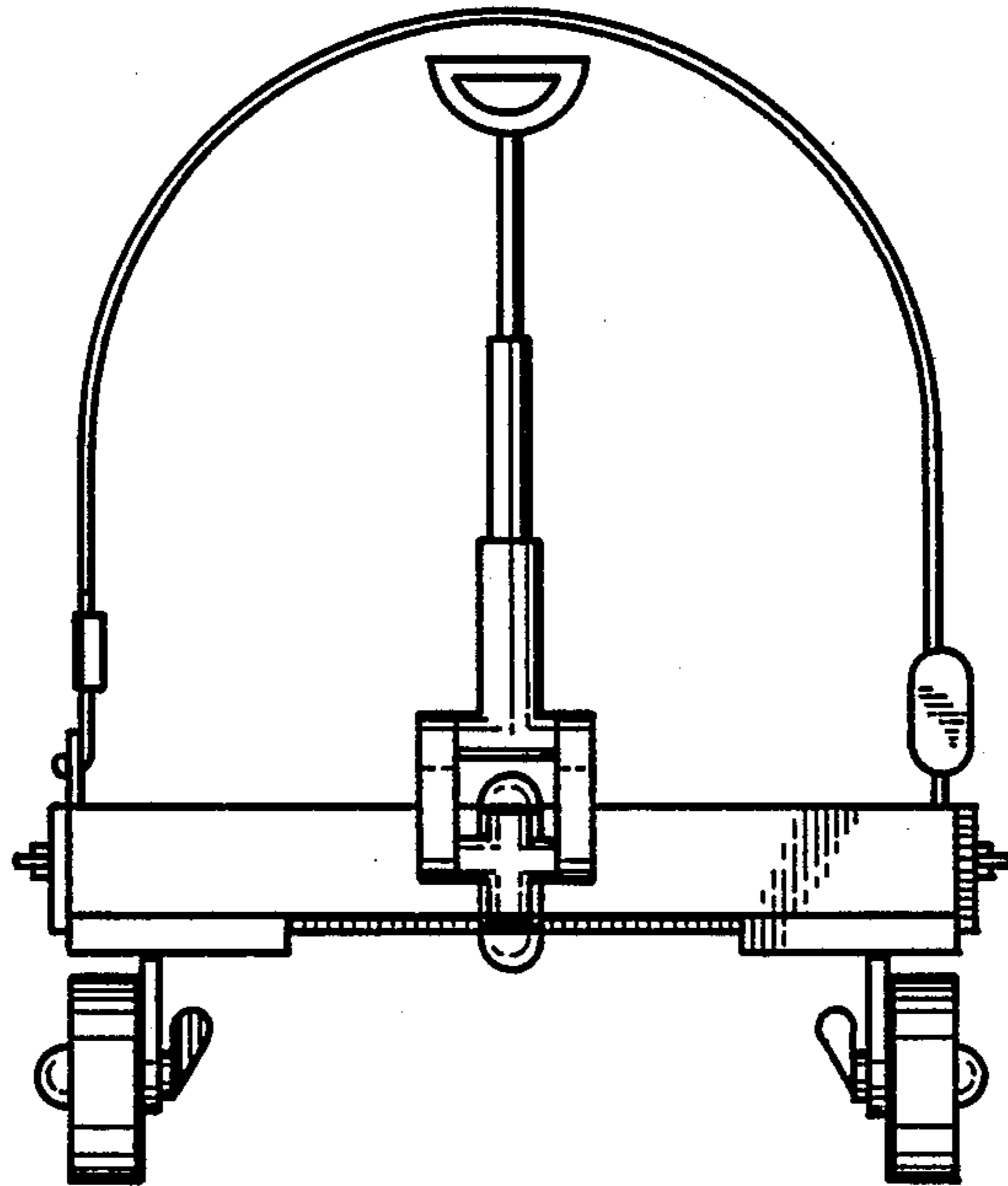


Fig. 2

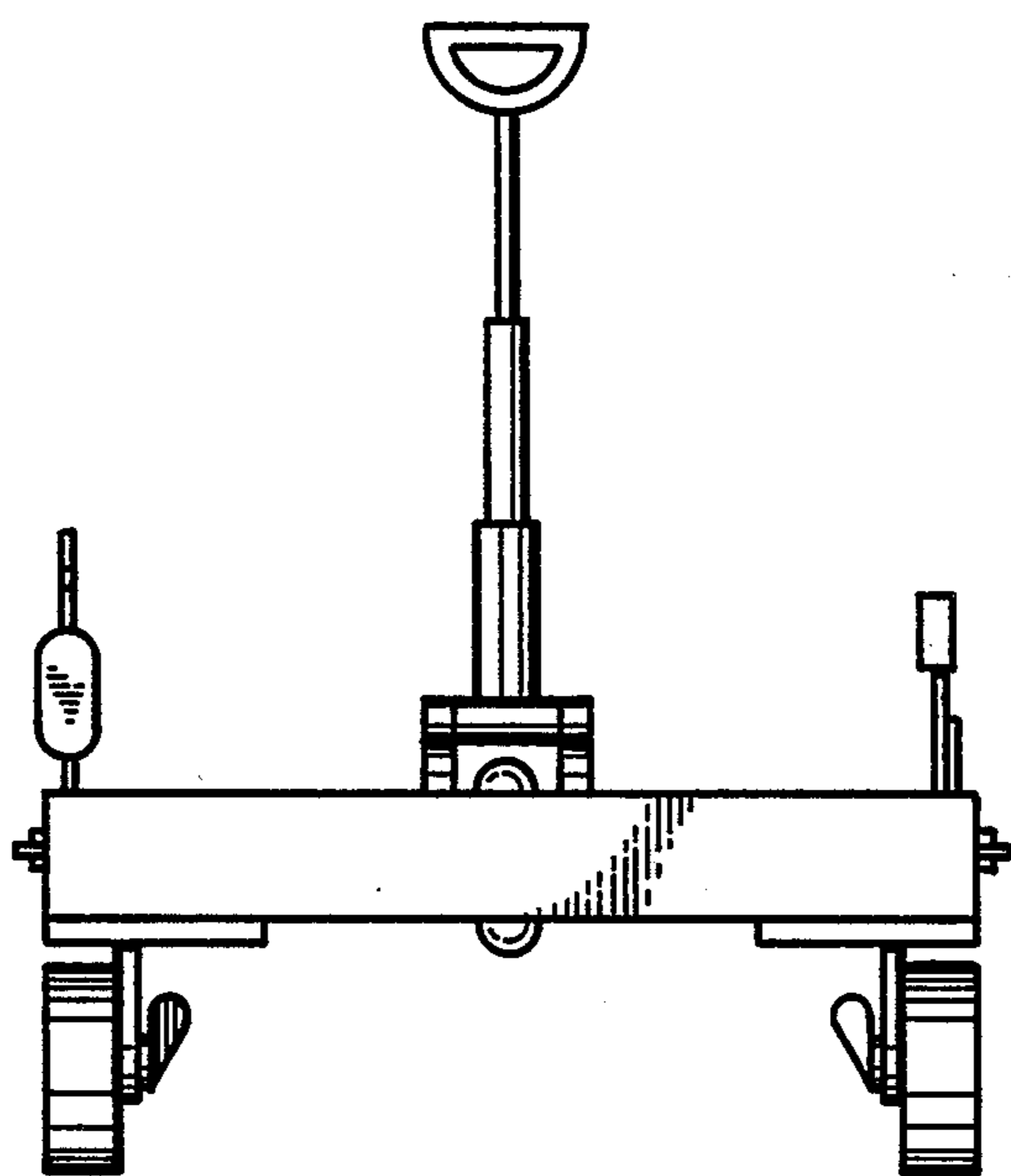


Fig. 3

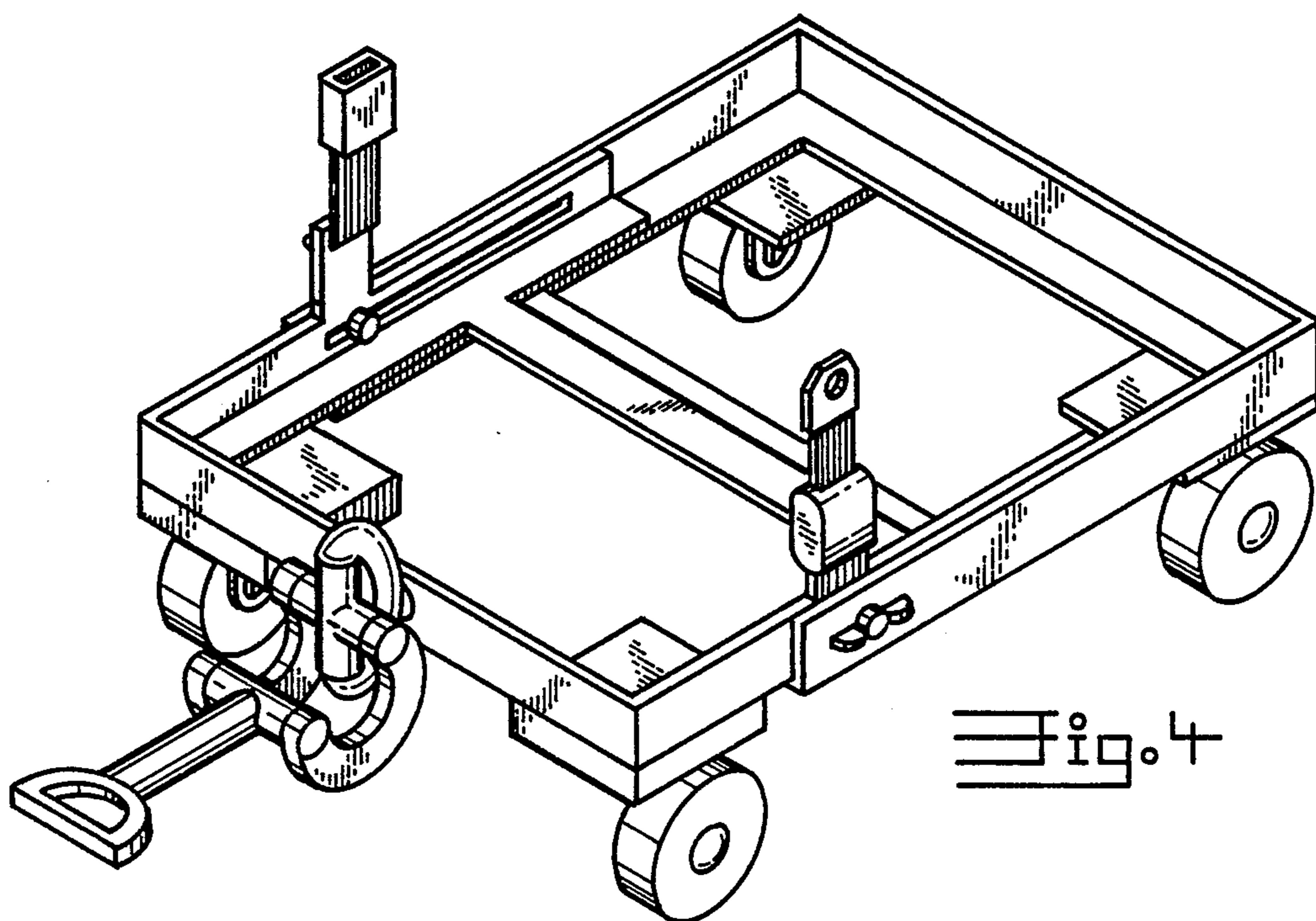


Fig. 4

