

[54] TWO-TIERED TABLE

[76] Inventors: Michael C. M. Ng; Kheng L. Tan,
both of Block 29, #01-132 Defu Lane
10, Singapore, Singapore, 1953

[**] Term: 14 Years

[21] Appl. No.: 928,328

[22] Filed: Nov. 10, 1986

[52] U.S. Cl. D34/21; D6/487

[58] Field of Search D34/12, 17, 20, 21,
D34/23; D6/431, 477, 487; 280/47.35, 79.3,
79.1 R; 211/153, 134; 108/59, 146, 124

[56] References Cited

U.S. PATENT DOCUMENTS

- D. 185,956 8/1959 Wright et al. D34/17
- D. 273,337 4/1984 Semerjian et al. D34/21

- D. 289,588 5/1987 Winzeler, III D6/487
- 2,794,695 6/1957 Heal D6/431
- 3,401,653 9/1968 Knoblock D6/429
- 4,052,081 10/1977 Becker, III 280/79.3
- 4,601,479 7/1986 Reinbold et al. 280/47.35

Primary Examiner—Wallace R. Burke
Assistant Examiner—Kay H. Chin
Attorney, Agent, or Firm—Finnegan, Henderson,
Farabow, Garrett & Dunner

[57] CLAIM

The ornamental design for a two-tiered table, as shown
and described.

DESCRIPTION

FIG. 1 is a front perspective view of a two-tiered table
showing my new design;
FIG. 2 is a side perspective view thereof, the opposite
side view being a mirror image of that shown; and
FIG. 3 is a bottom perspective view thereof.

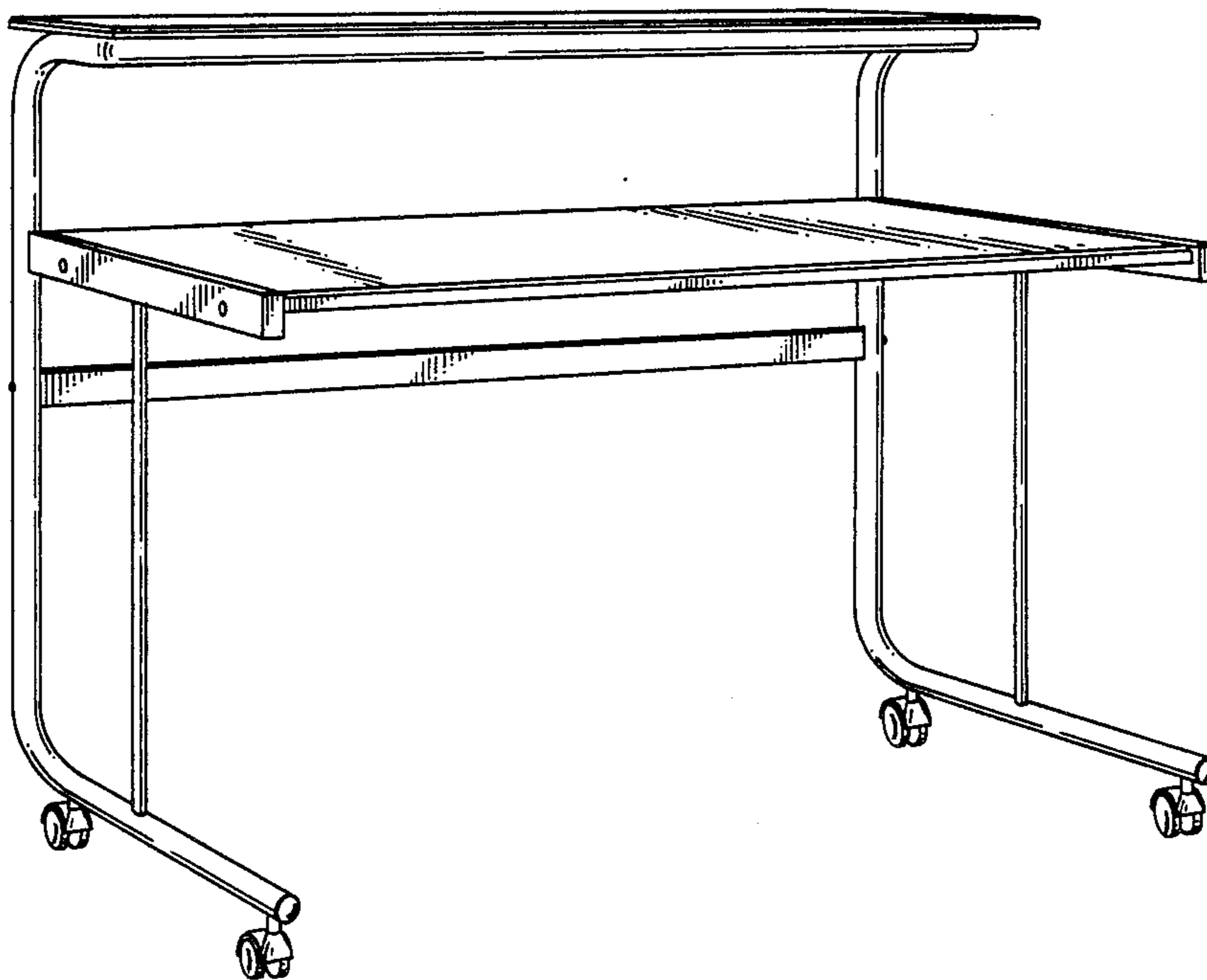


FIG. 1

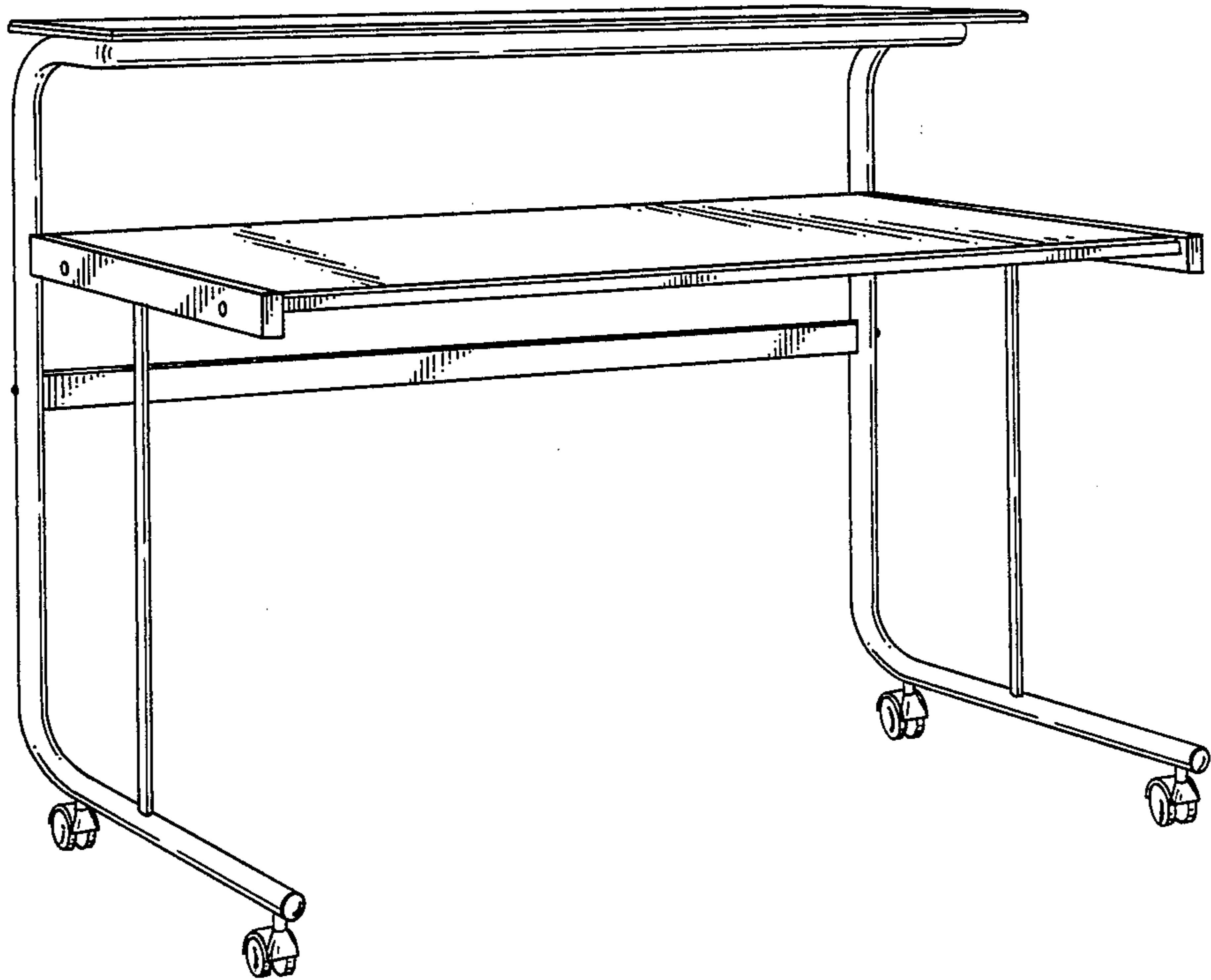


FIG. 2

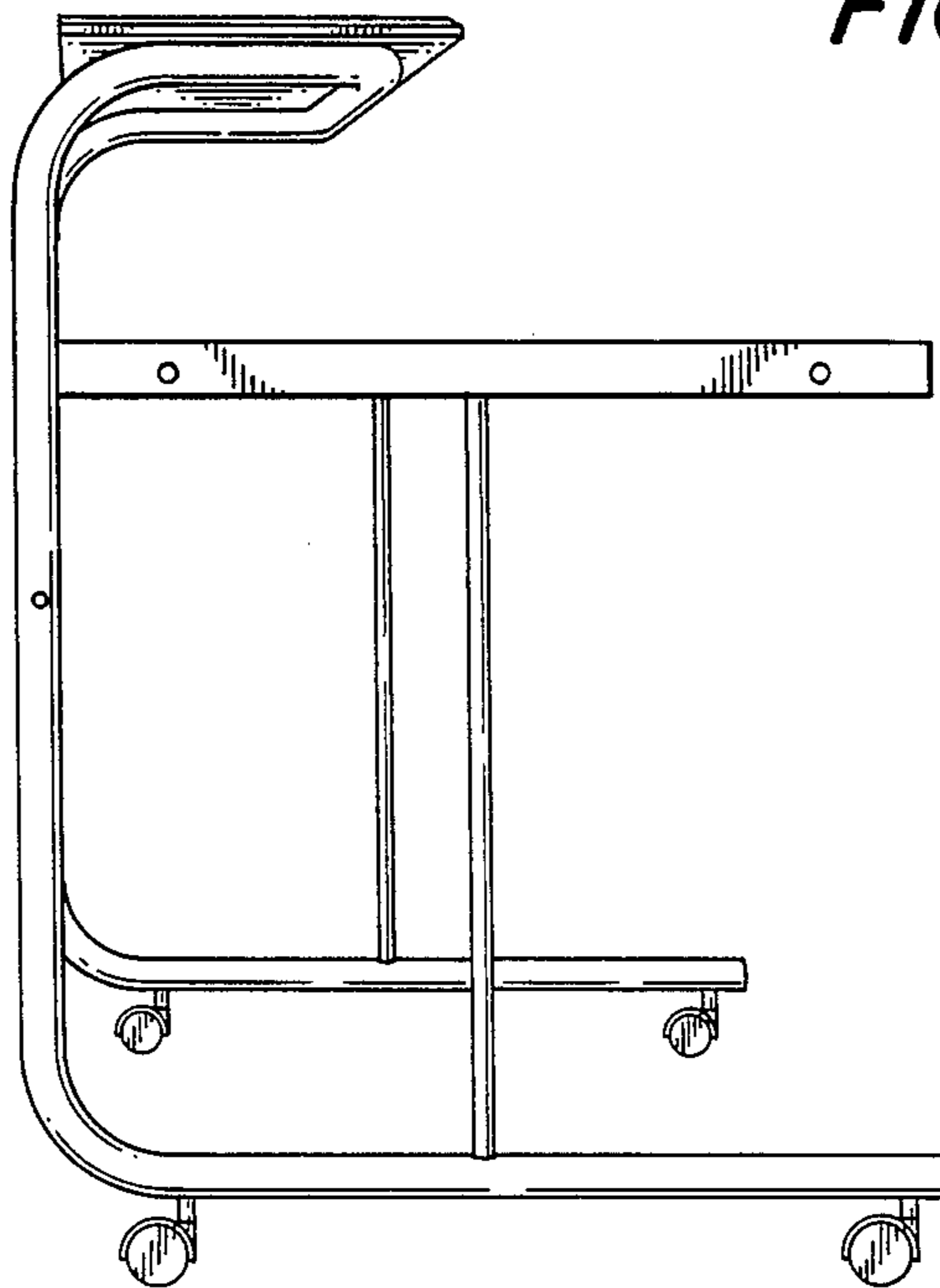


FIG. 3

