

[54] FOOD SERVICE CART

[75] Inventor: Donald R. Jung, Oconomowoc, Wis.

[73] Assignee: Trico Mfg. Corp., Pewaukee, Wis.

[**] Term: 14 Years

[21] Appl. No.: 127,001

[22] Filed: Nov. 27, 1987

[52] U.S. Cl. D34/20; D34/14

[58] Field of Search D34/20, 12, 21, 17, D34/23; 280/79.3, 47.35; 296/22; D6/397

[56] References Cited

U.S. PATENT DOCUMENTS

D. 173,473	11/1954	Clarke	296/22
2,490,588	12/1949	Frie et al.	296/22
3,512,826	5/1970	Hahn	D34/14

FOREIGN PATENT DOCUMENTS

435595	12/1947	Italy	296/22
--------	---------	-------	-------	--------

OTHER PUBLICATIONS

Ideal Food Conveyors, p. 10, Series 4000.
Ideal Food Conveyors, p. 16, Model 1003.

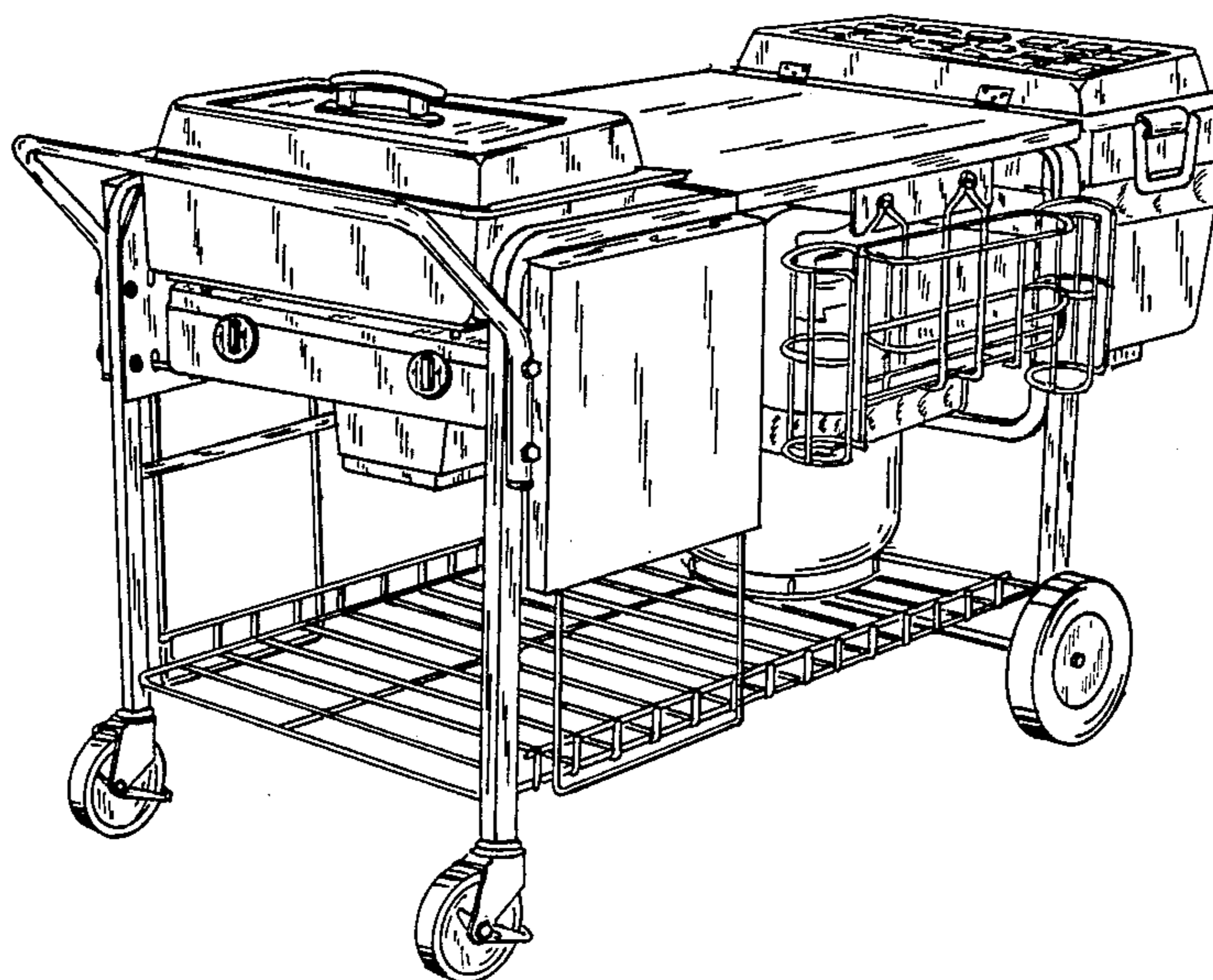
Primary Examiner—Wallace R. Burke
Assistant Examiner—Kay H. Chin
Attorney, Agent, or Firm—Wheeler Law Firm

[57] CLAIM

The ornamental design for a food service cart, as shown and described.

DESCRIPTION

FIG. 1 is a rear right perspective view of a food service cart showing my new design.
 FIG. 2 is a top plan view thereof.
 FIG. 3 is a bottom plan view thereof.
 FIG. 4 is a right side elevational view thereof.
 FIG. 5 is a left side elevational view thereof.
 FIG. 6 is a rear elevational view thereof.
 FIG. 7 is a front elevational view thereof.
 FIG. 8 is a fragmentary top plan view thereof showing the right and left rear side wing tables raised.
 FIG. 9 is a bottom plan view of FIG. 8.
 FIG. 10 is a side elevational view of the support bracket taken on section line 10—10 of FIG. 9 it being understood that the support bracket in is shown separately for the convenience of illustration.
 FIG. 11 is a rear right perspective view of a second embodiment of the food service cart.
 FIG. 12 is a top plan view of FIG. 11.
 FIG. 13 is a bottom plan view of FIG. 11.
 FIG. 14 is a right side elevational view of FIG. 11.
 FIG. 15 is a left side elevational view of FIG. 11.
 FIG. 16 is a rear elevational view of FIG. 11.
 FIG. 17 is a front elevational view of FIG. 11.



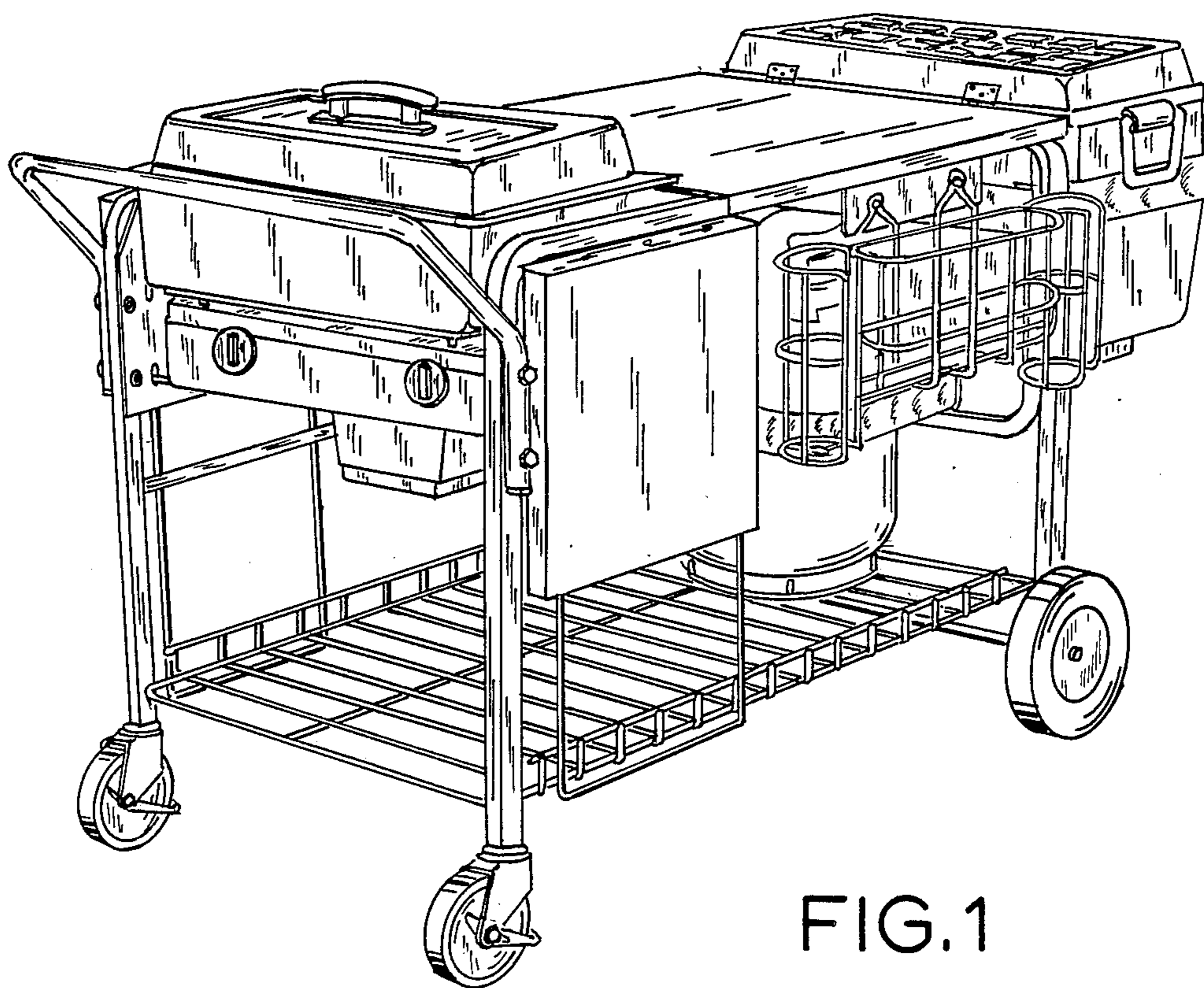


FIG. 1

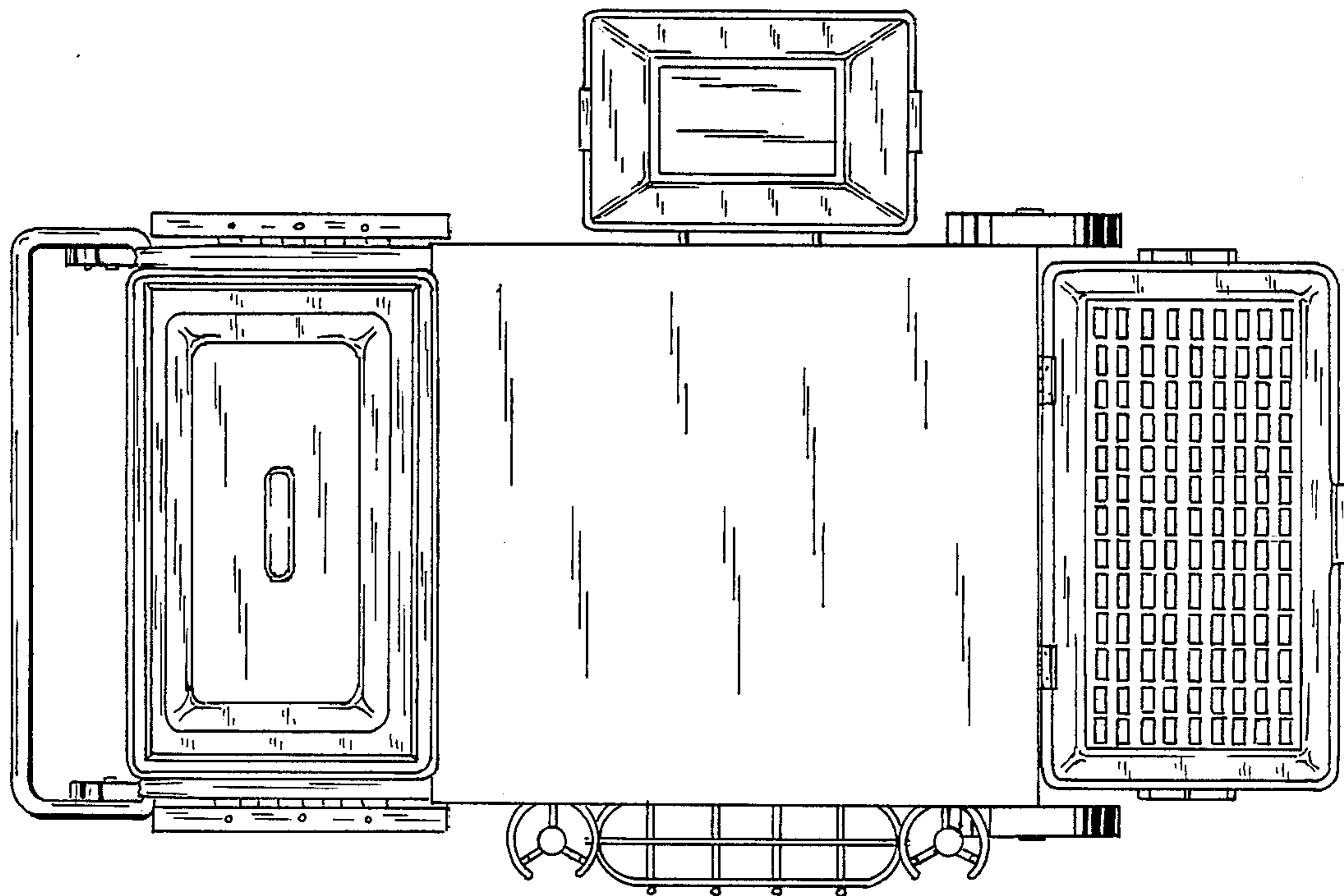


FIG. 2

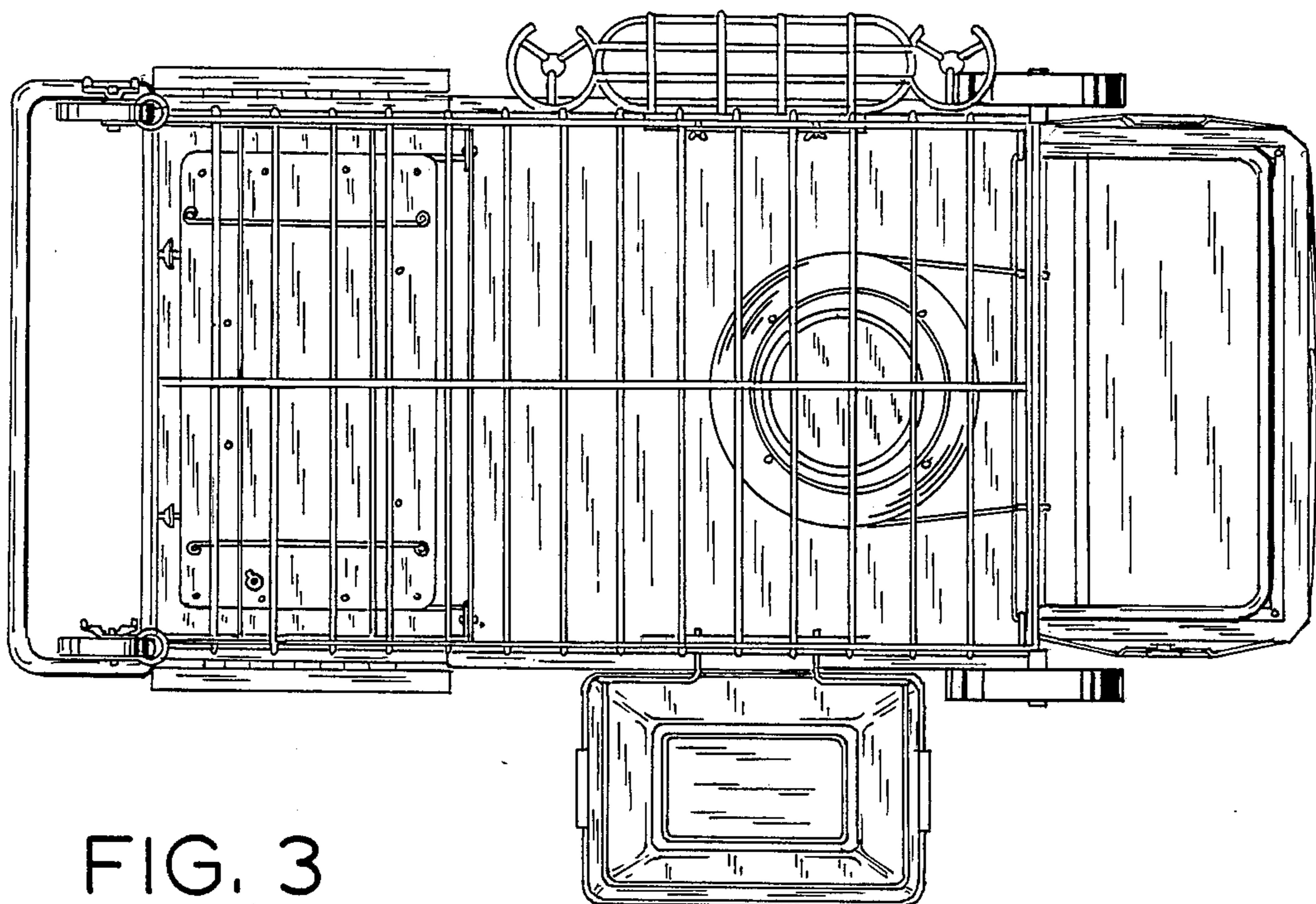


FIG. 3

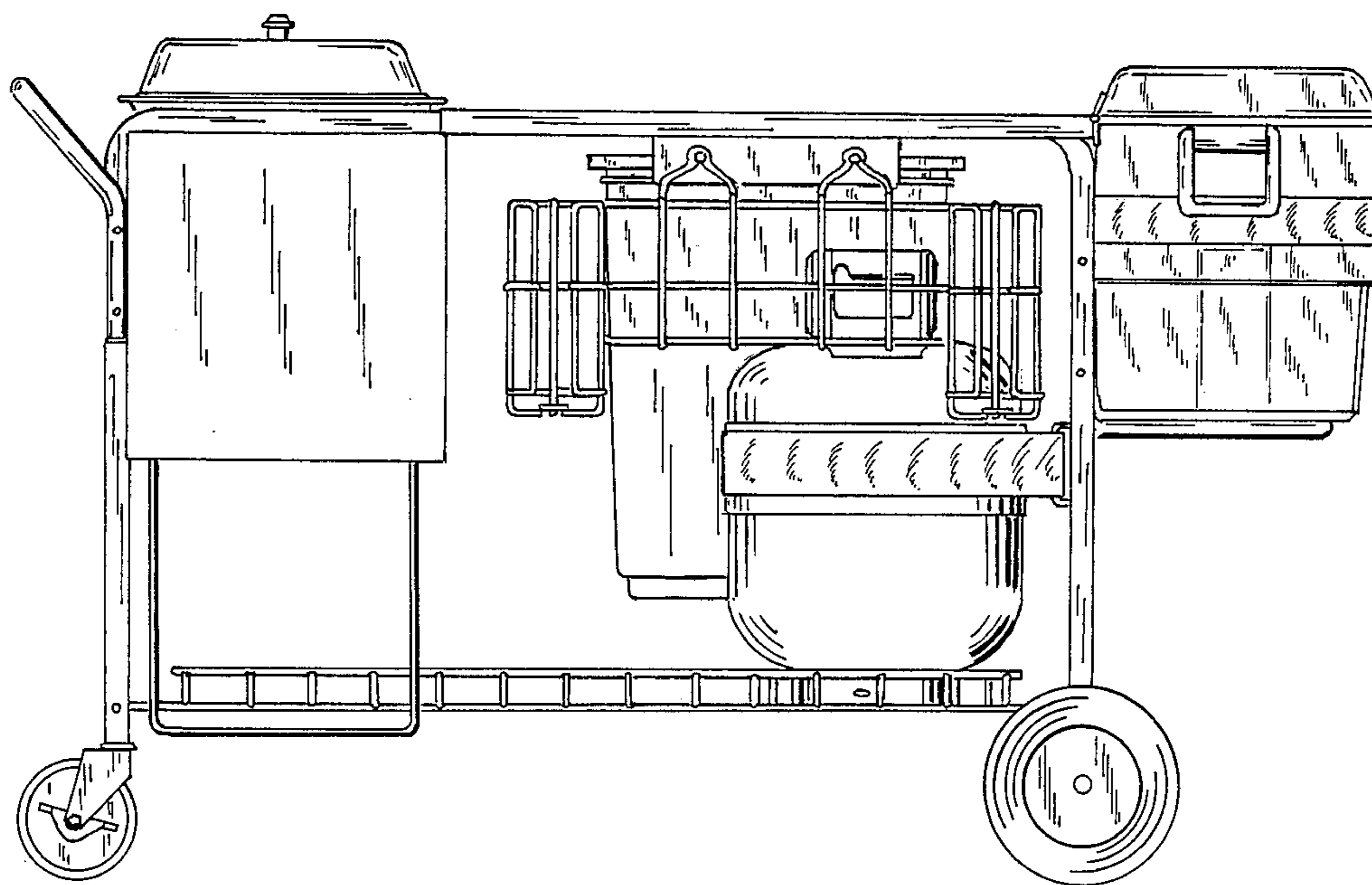


FIG. 4.

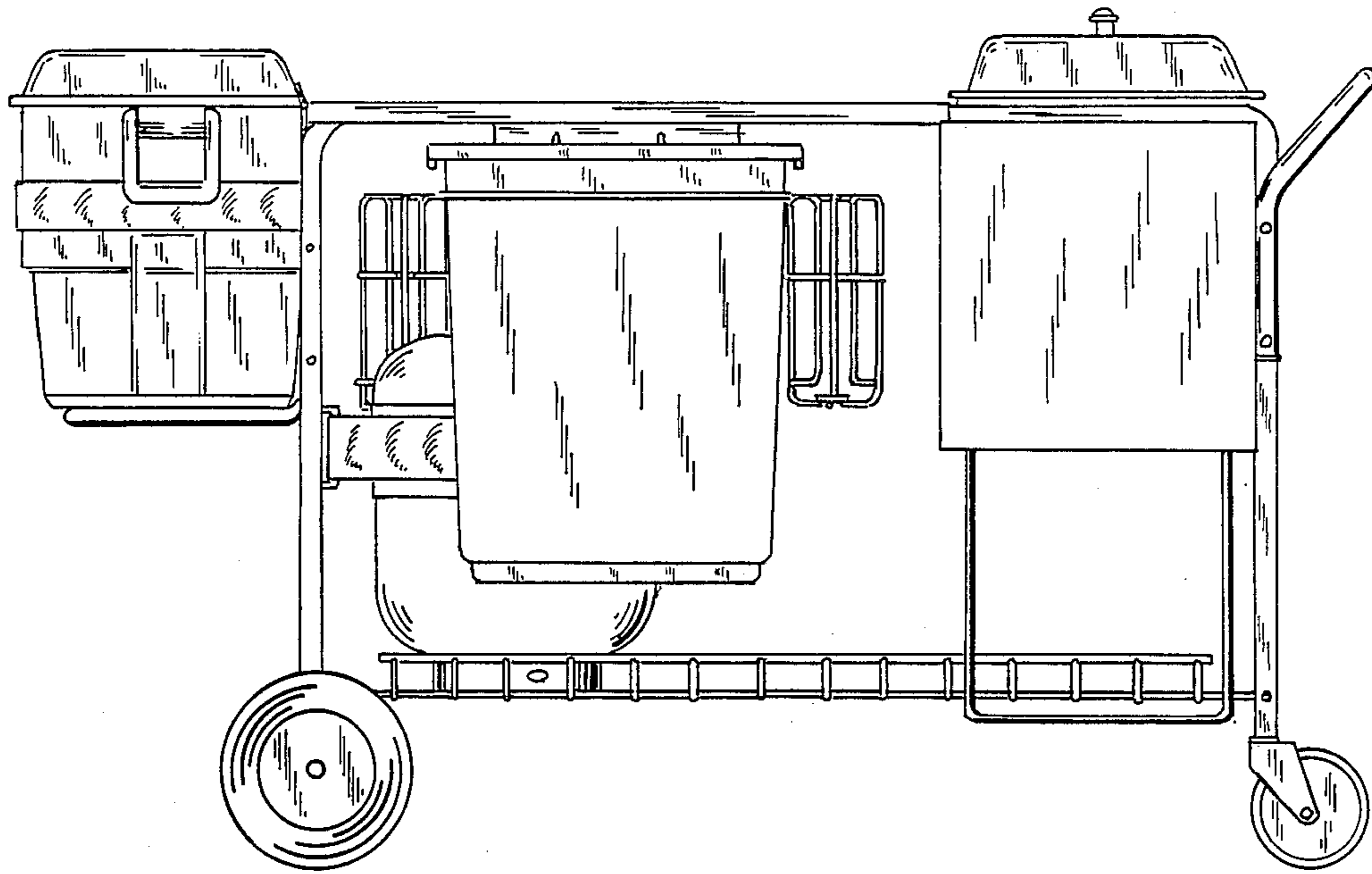


FIG. 5

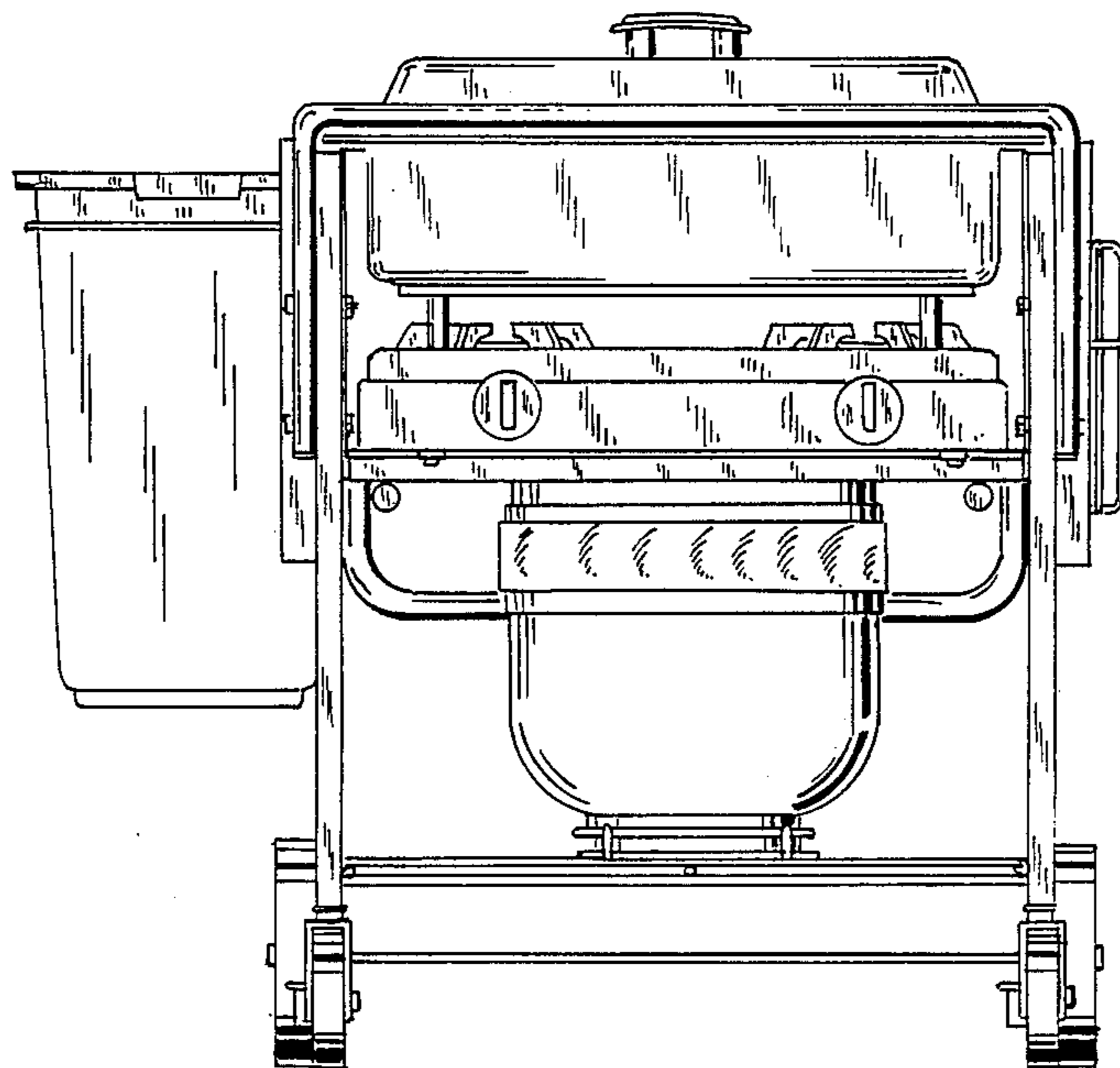


FIG. 6

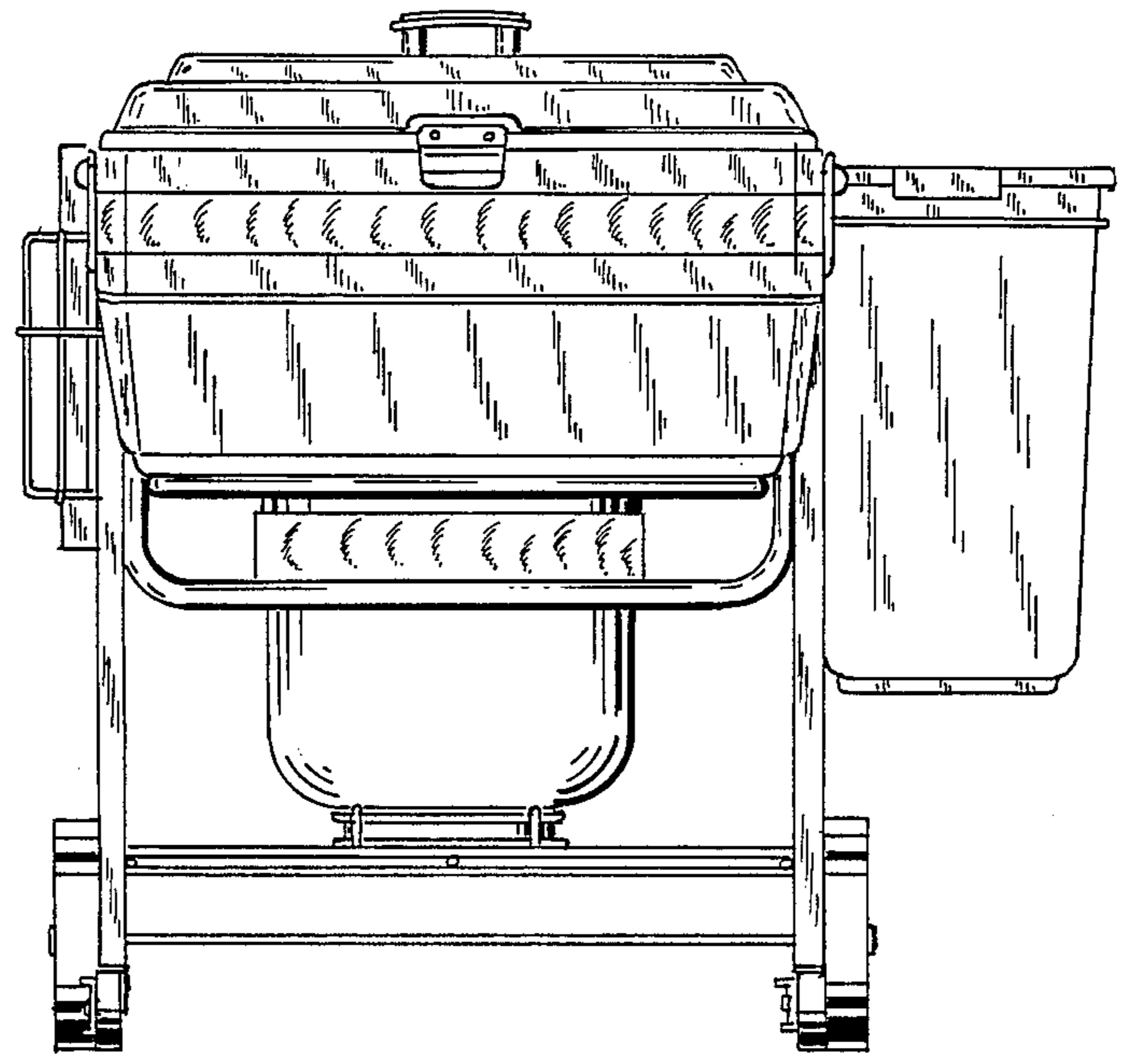


FIG. 7

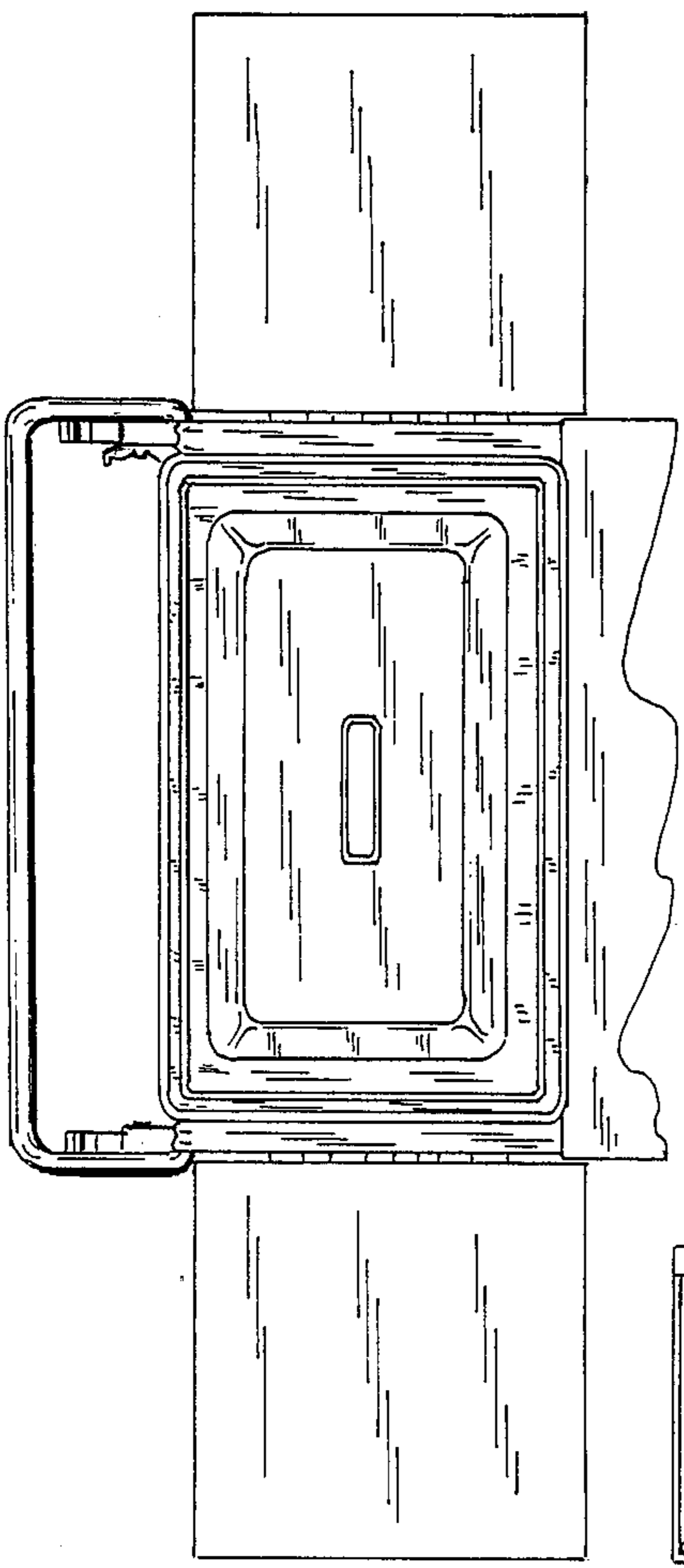


FIG. 8

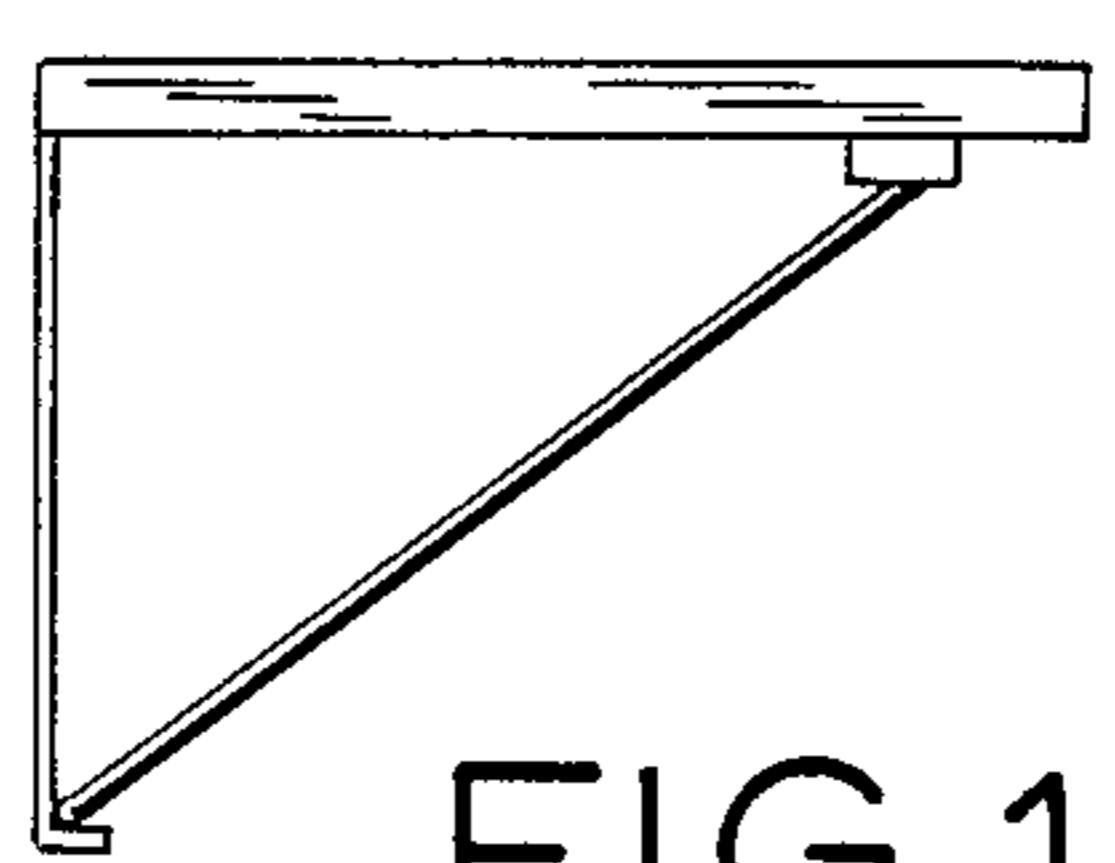


FIG. 10

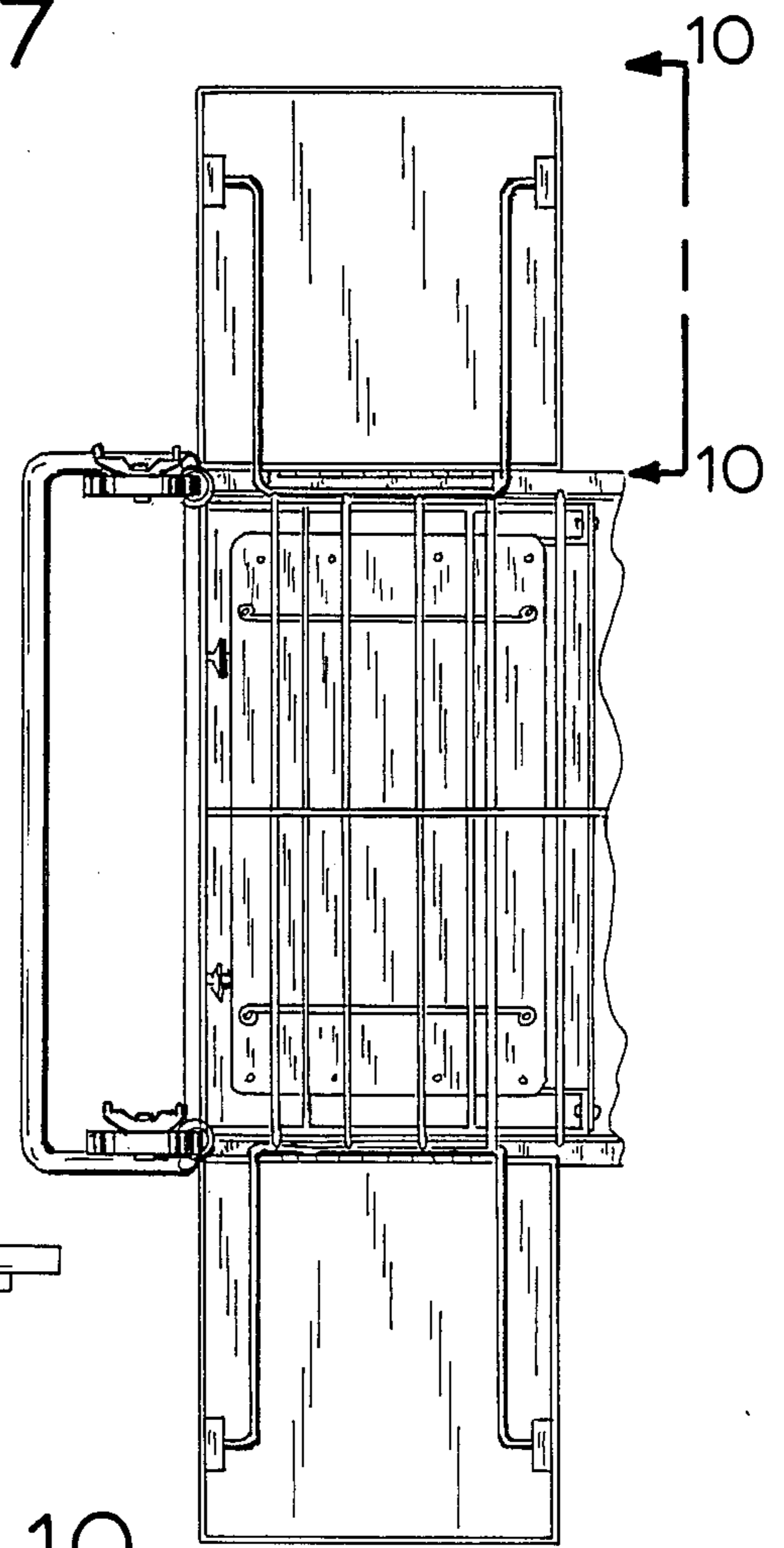


FIG. 9

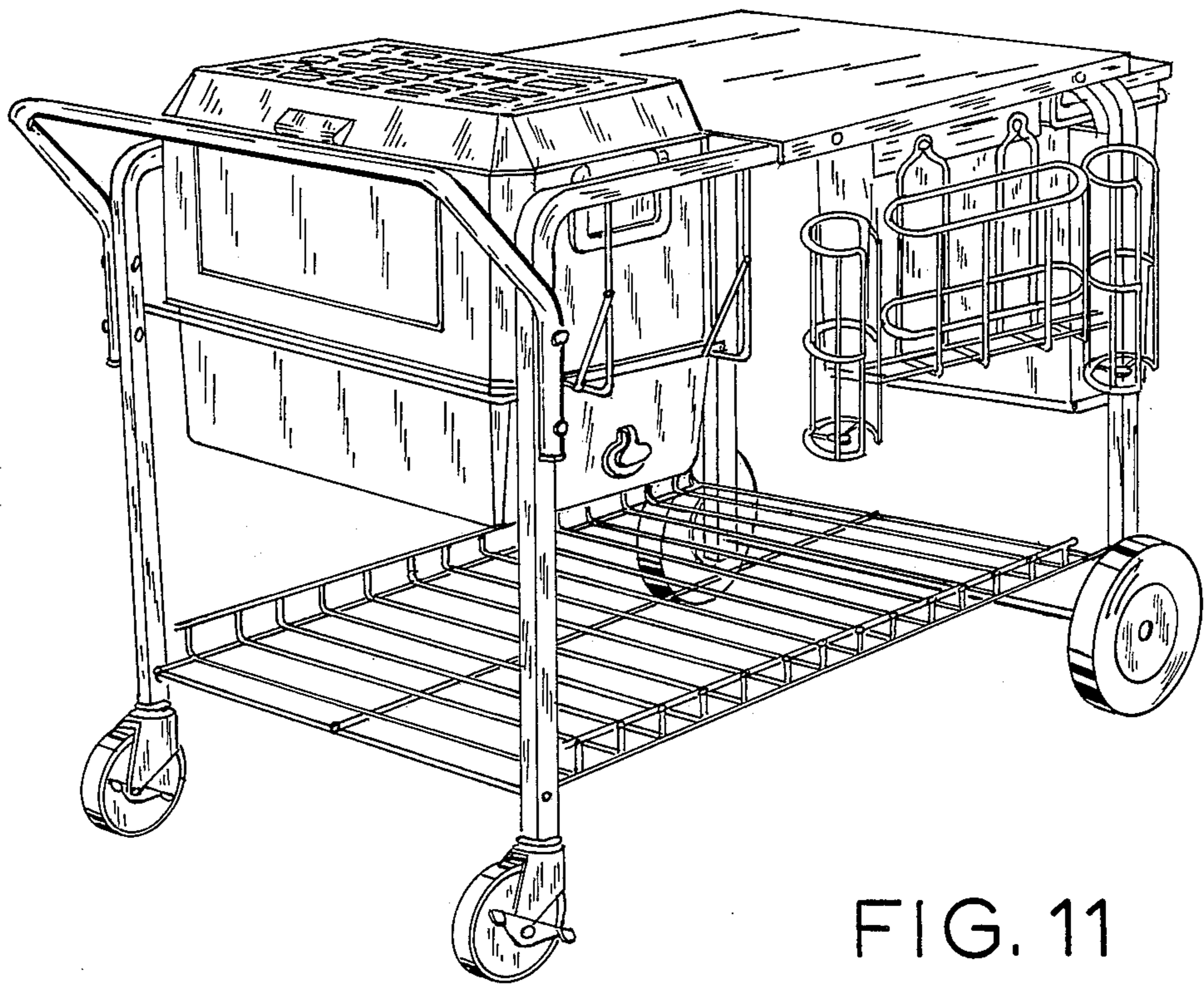


FIG. 11

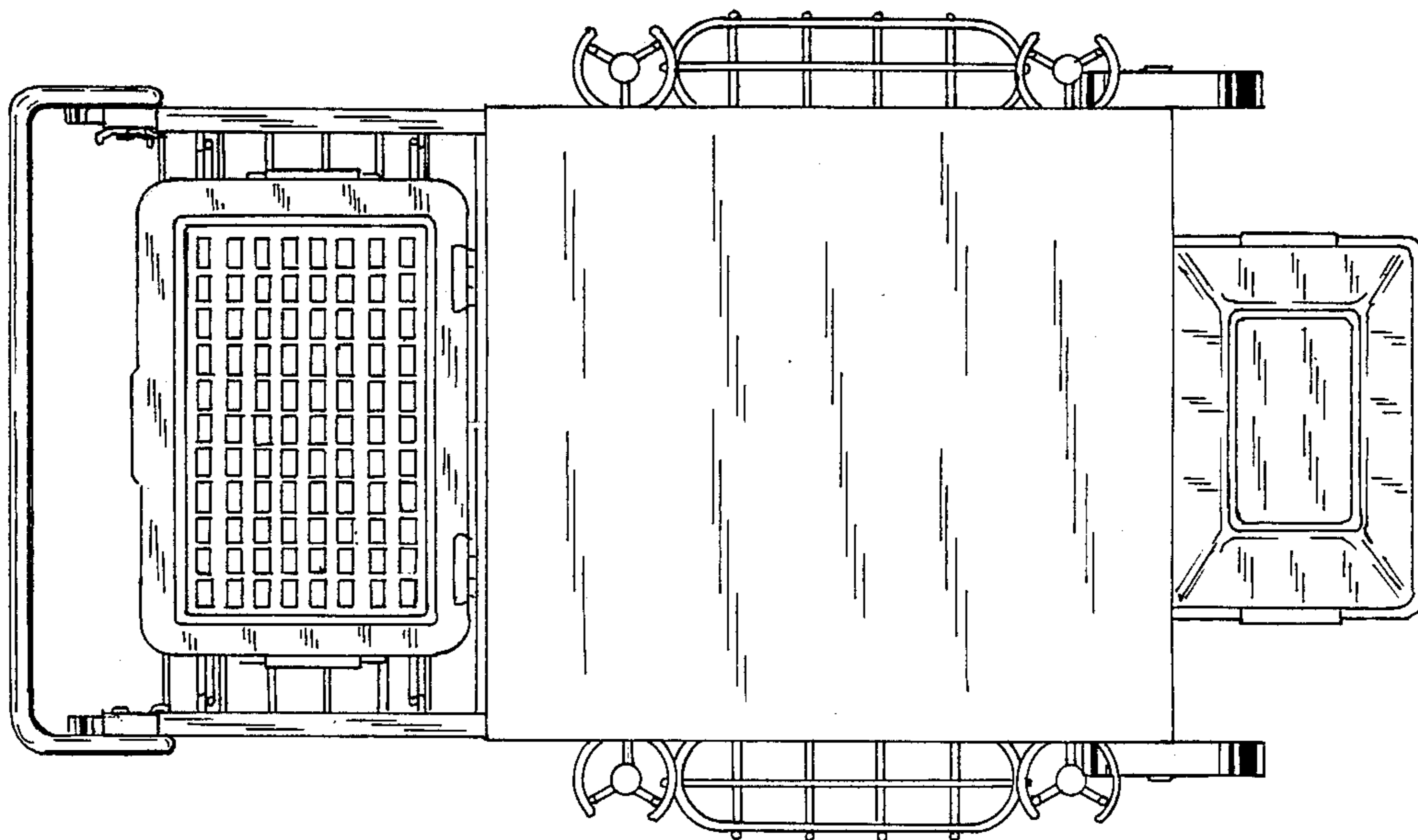


FIG. 12

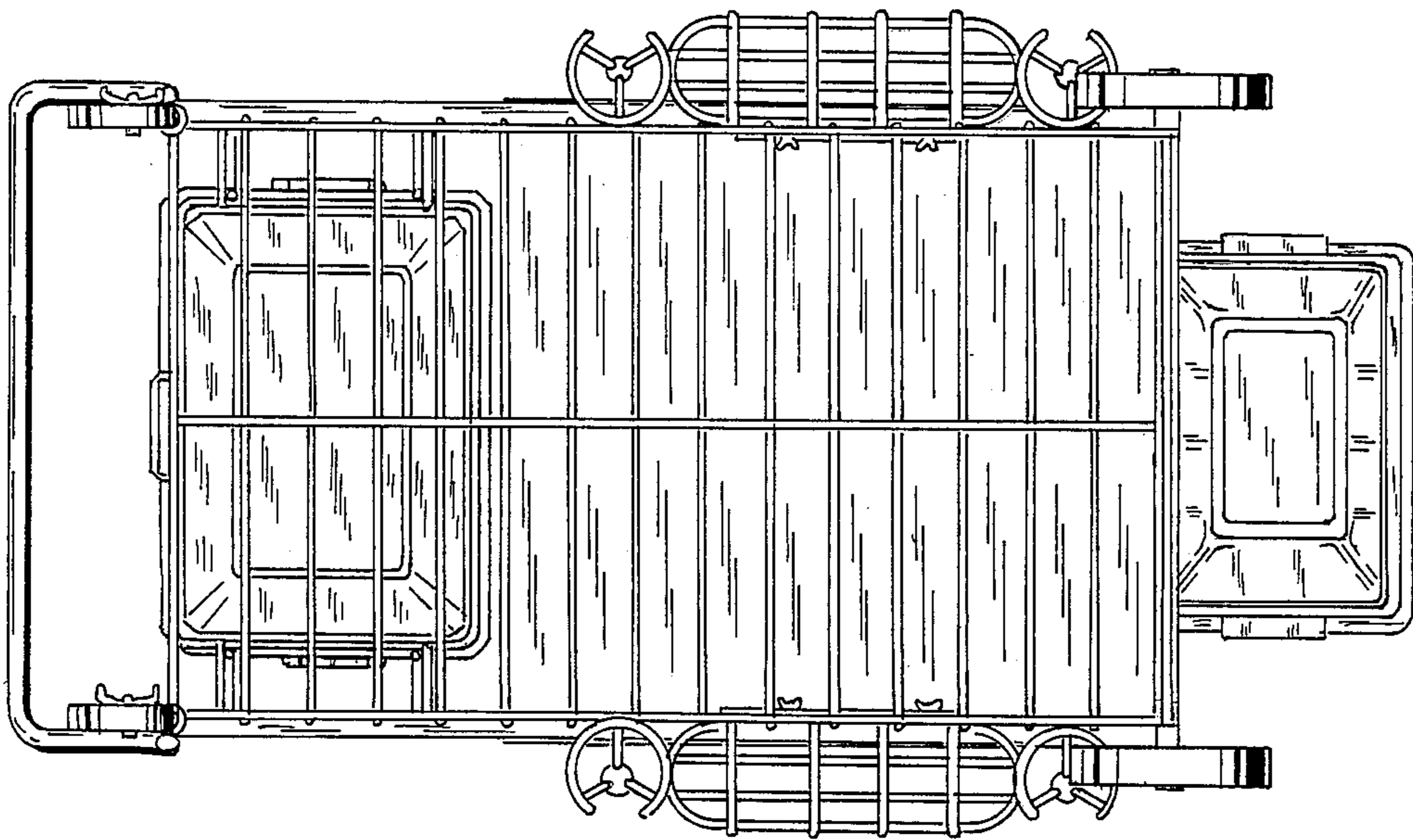


FIG. 13

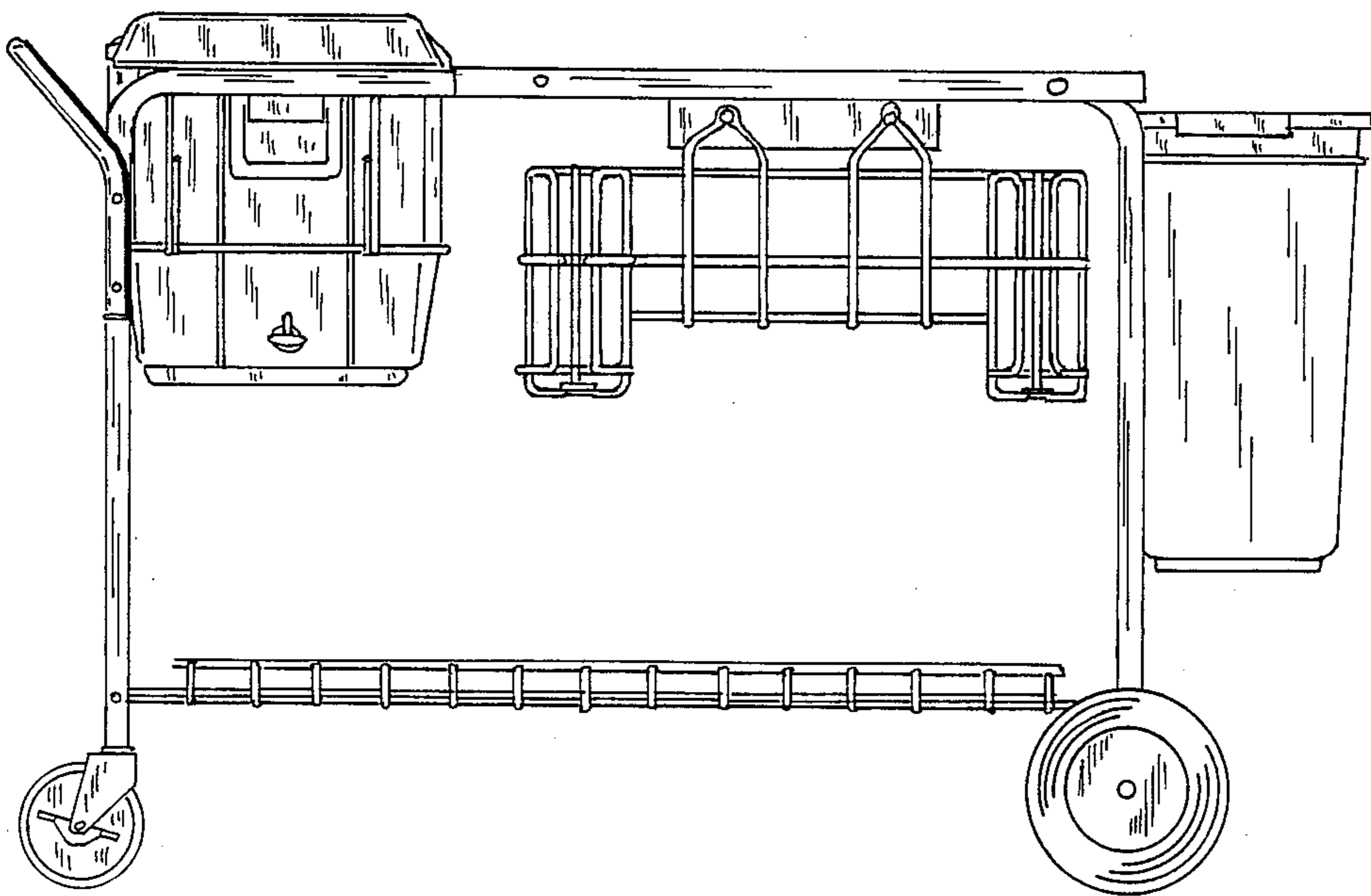


FIG. 14

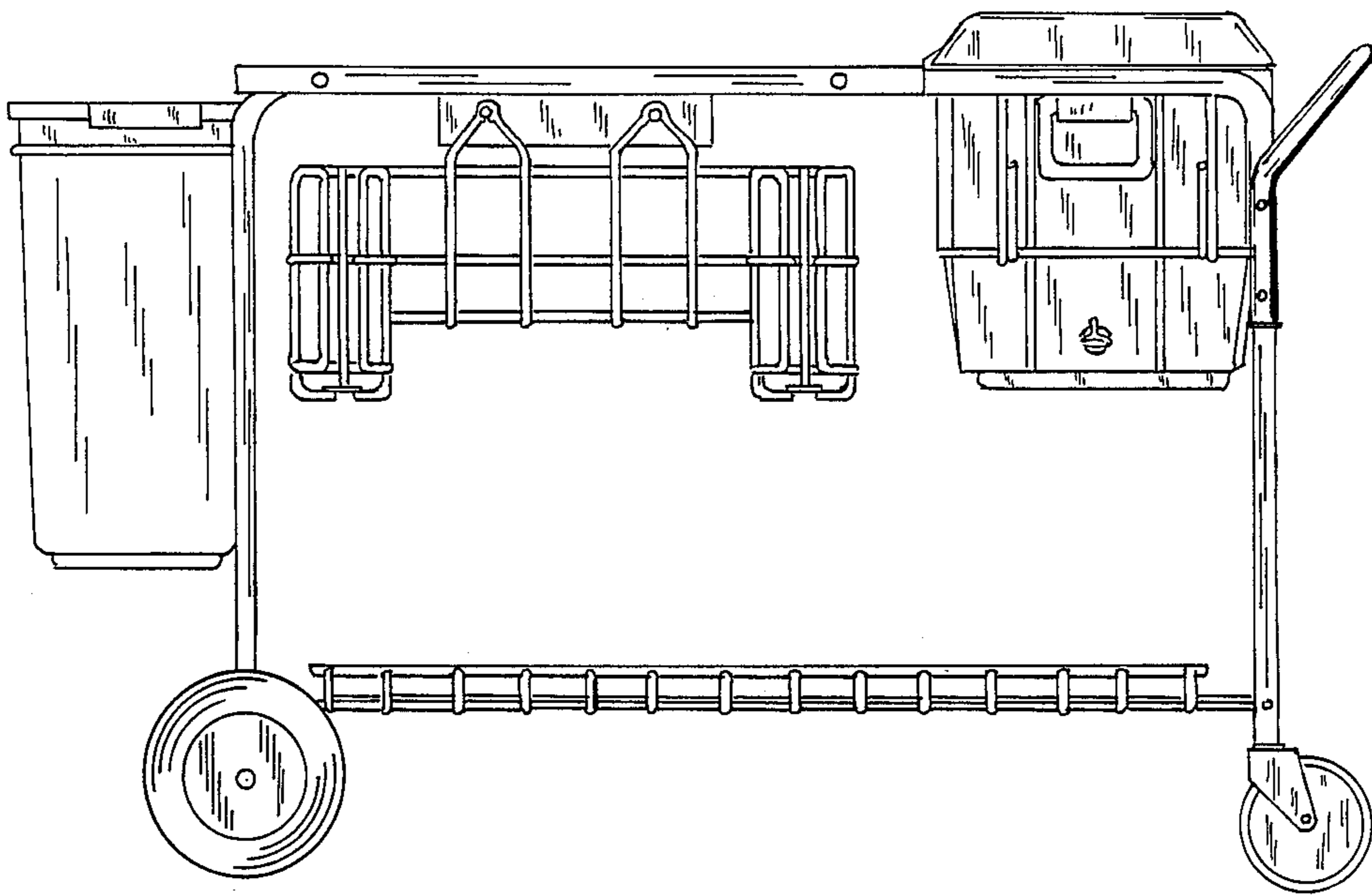


FIG. 15

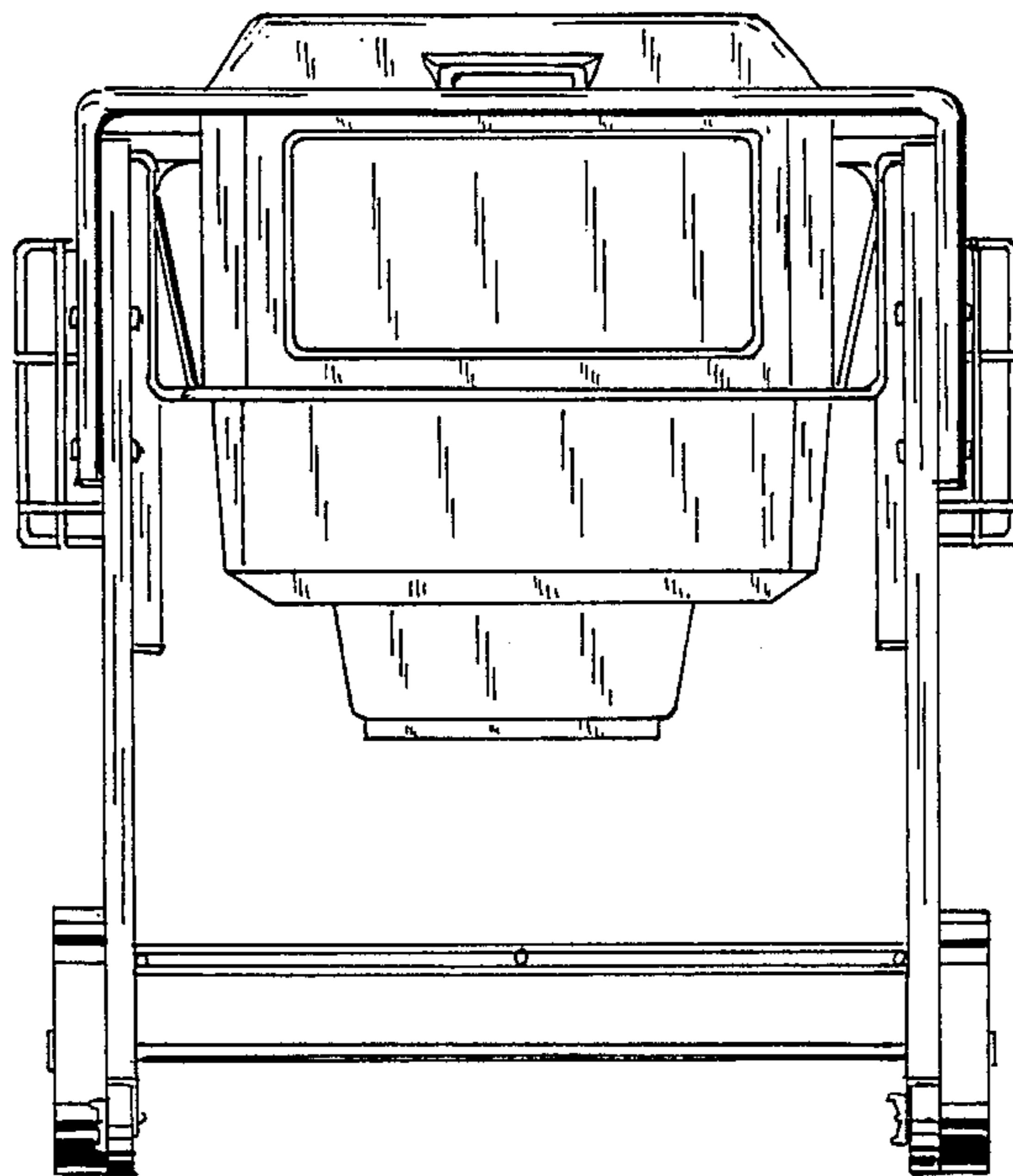


FIG. 16

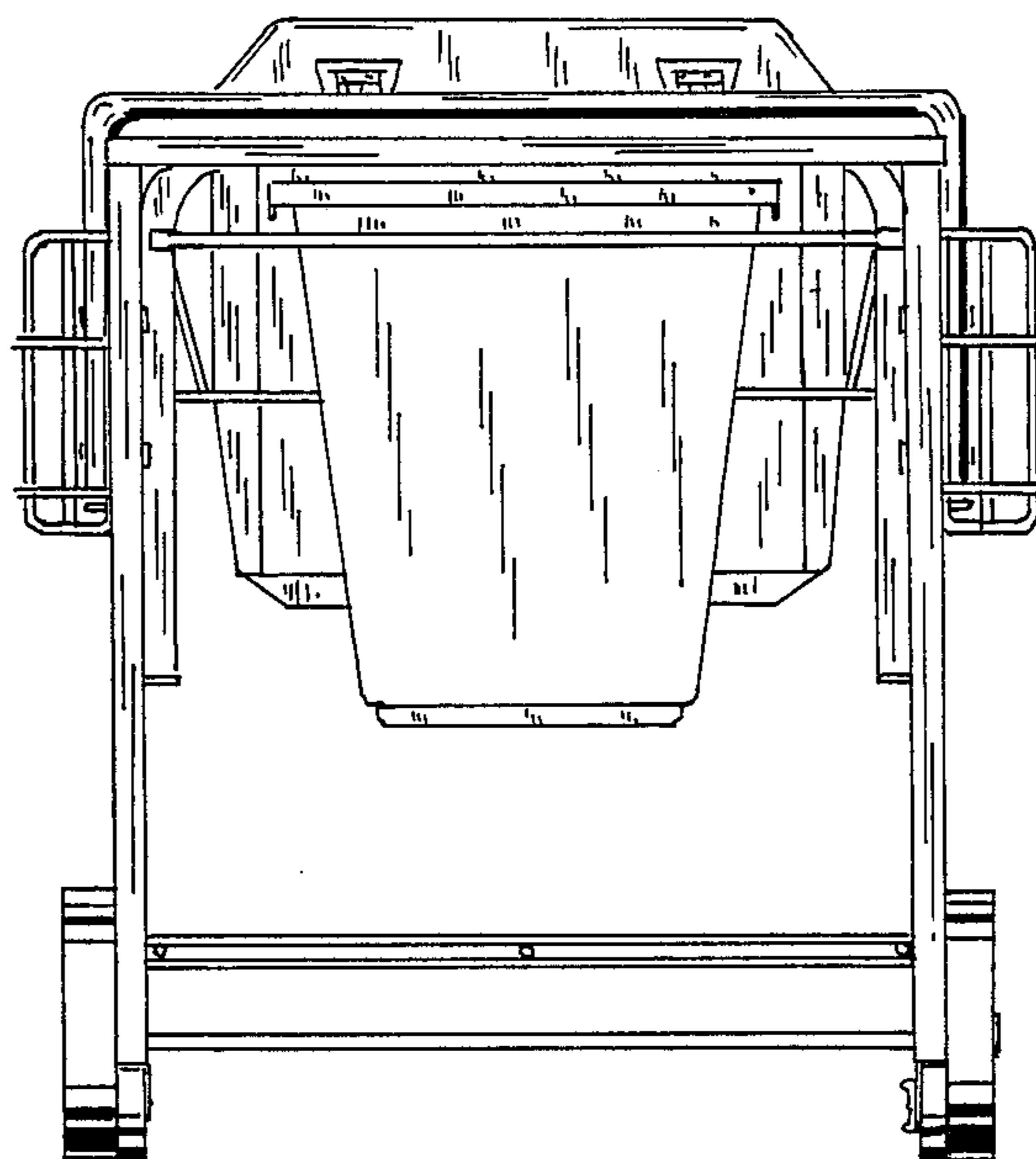


FIG. 17