

United States Patent [19]

Padilla

[11] **Patent Number: Des. 302,886**

[45] **Date of Patent: ** Aug. 15, 1989**

[54] **CADDY FOR GOLF CLUBS AND BEVERAGE CONTAINERS**

[76] **Inventor: Rubin Padilla, 1454 B. W. 160th St., Gardena, Calif. 90247**

[**] **Term: 14 Years**

[21] **Appl. No.: 79,915**

[22] **Filed: Jul. 31, 1987**

[52] **U.S. Cl. D34/15**

[58] **Field of Search D34/15, 26, 12; 280/DIG. 6, DIG. 5, 646, 47.26; 248/96**

[56] **References Cited**

U.S. PATENT DOCUMENTS

D. 286,930 11/1986 Plowey D34/15

2,883,207 4/1959 Reich D34/15
2,989,319 6/1961 Northrop 280/47.26
3,738,677 6/1973 Renock 280/DIG. 6
4,017,091 4/1977 Wallen 280/DIG. 6

Primary Examiner—Wallace R. Burke
Assistant Examiner—Kay H. Chin
Attorney, Agent, or Firm—Roger A. Marrs

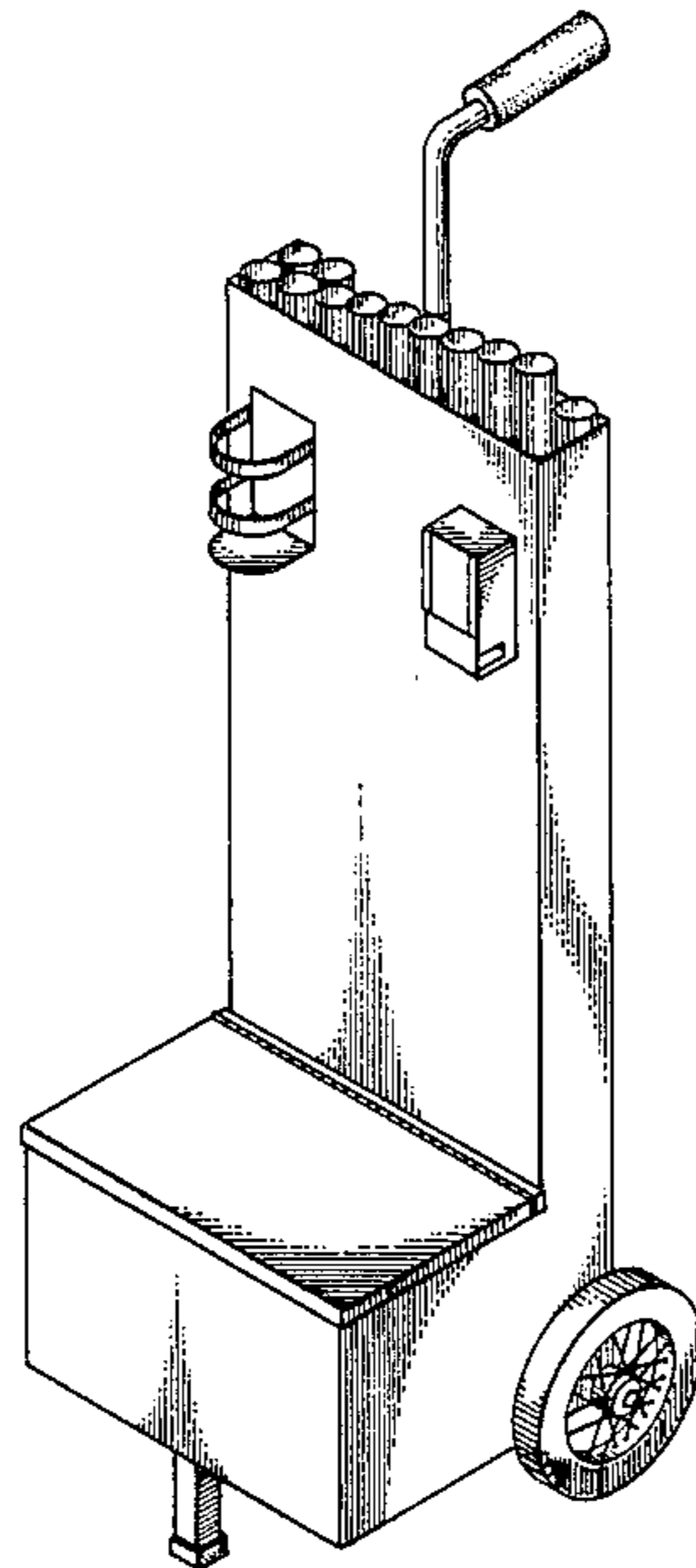
[57] **CLAIM**

The ornamental design for a caddy for golf clubs and beverage containers, as shown and described.

DESCRIPTION

FIG. 1 is a front perspective view of a caddy for golf clubs and beverage containers showing my new design; and

The undisclosed bottom is flat and unornamented.



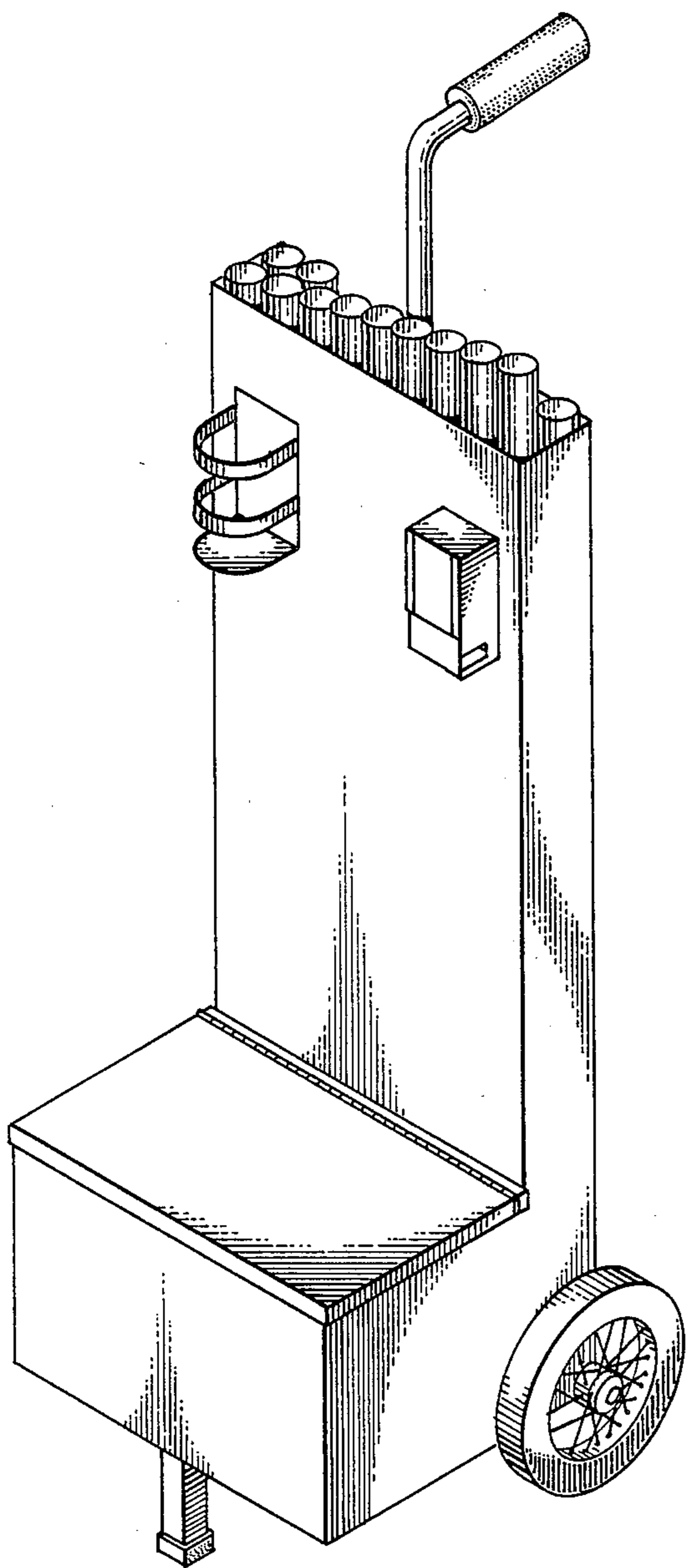


FIG. 1.

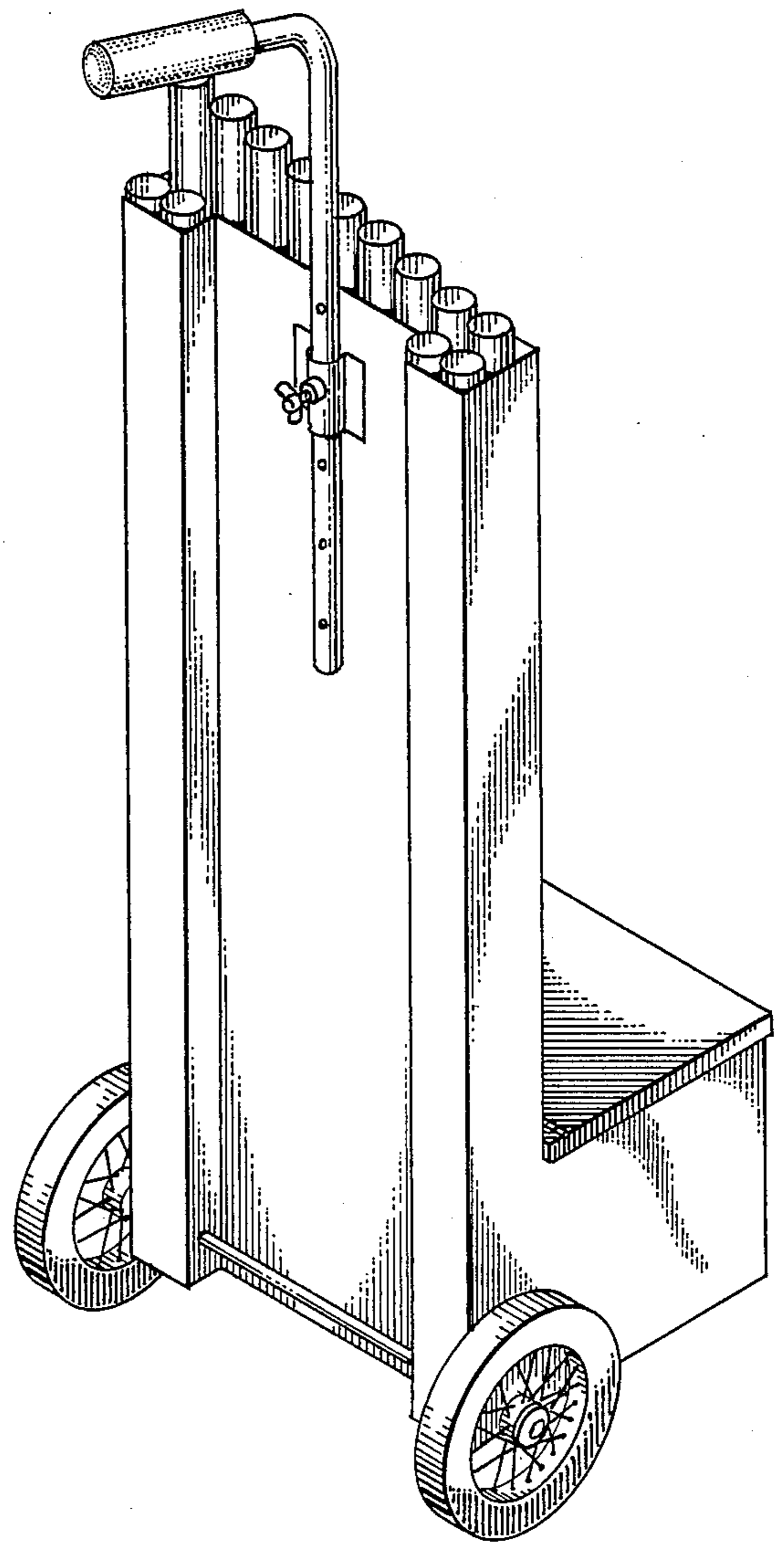


FIG. 2.