

[54] REFUSE CONTAINER

[75] Inventor: Michel Poisat, Langres, France

[73] Assignee: Compagnie Plastic Omnium, Lyons, France

[**] Term: 14 Years

[21] Appl. No.: 929,709

[22] Filed: Nov. 13, 1986

[30] Foreign Application Priority Data

May 16, 1986 [WO] World Int. Prop. O. DM/006935

[52] U.S. Cl. D34/5; D34/11

[58] Field of Search D34/1, 5, 6, 11; 280/47.26, 47.17; 220/1 T, 212

[56] References Cited

U.S. PATENT DOCUMENTS

- D. 231,184 4/1974 Brown et al. D34/5
- D. 270,675 9/1983 Parker D34/5
- D. 291,738 9/1987 Orłowski D34/5

- D. 291,739 9/1987 Orłowski D34/5
- D. 292,638 11/1987 Carville D34/5
- 4,445,623 5/1984 Kolling et al. 220/1 T
- 4,749,101 6/1988 Durkan, Jr. 220/1 T

FOREIGN PATENT DOCUMENTS

2143479 2/1985 United Kingdom 280/47.26

Primary Examiner—Wallace R. Burke

Assistant Examiner—Kay H. Chin

Attorney, Agent, or Firm—Cushman, Darby & Cushman

[57] CLAIM

The ornamental design for a refuse container, as shown and described.

DESCRIPTION

FIG. 1 is a left side elevational view of a refuse container showing my new design;

FIG. 2 is a front elevational view thereof;

FIG. 3 is a top plan view thereof; and

FIG. 4 is a rear elevational view thereof.

The right side is a mirror image of the left side thereof.

The bottom is plain and unornamented.

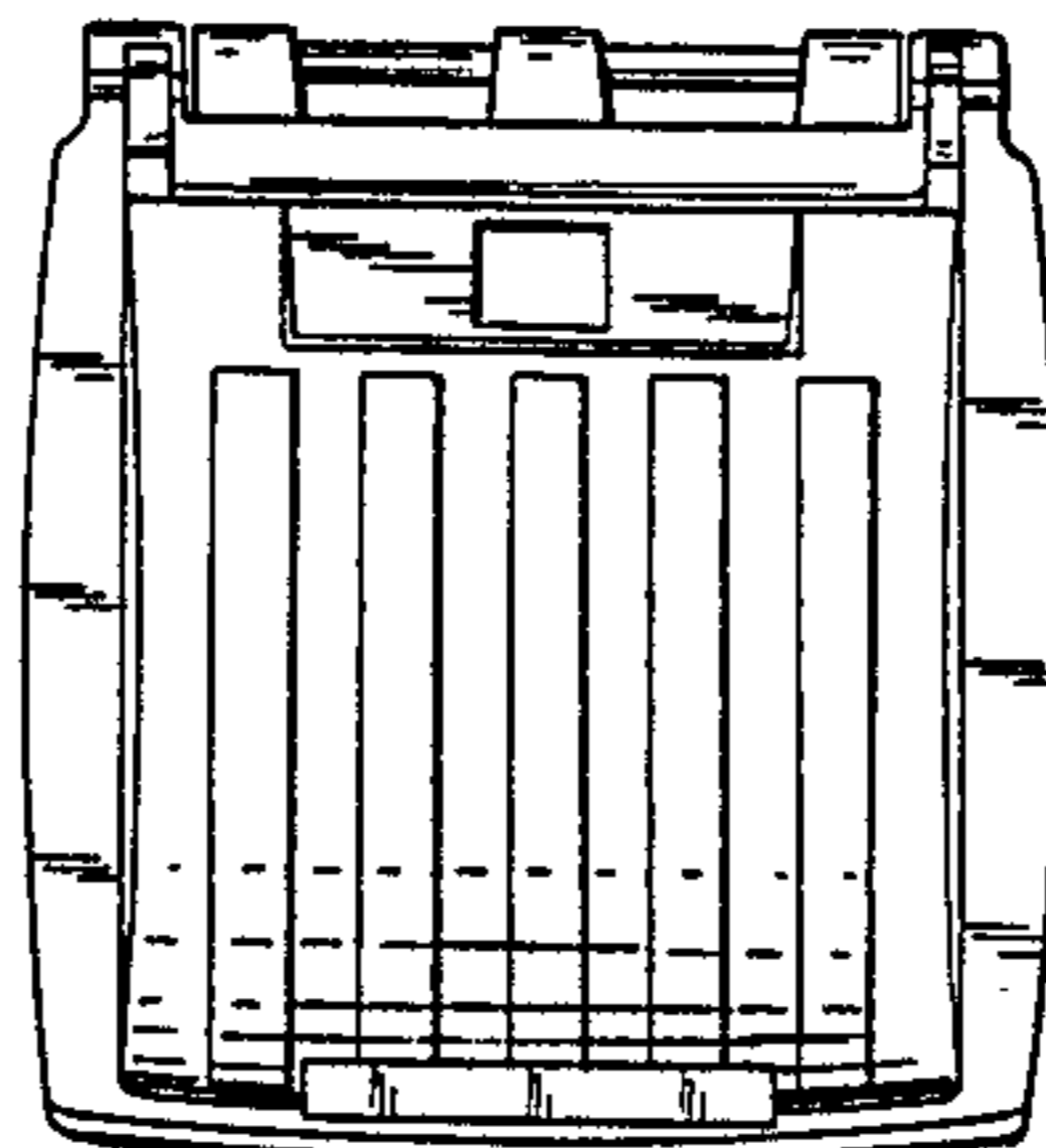
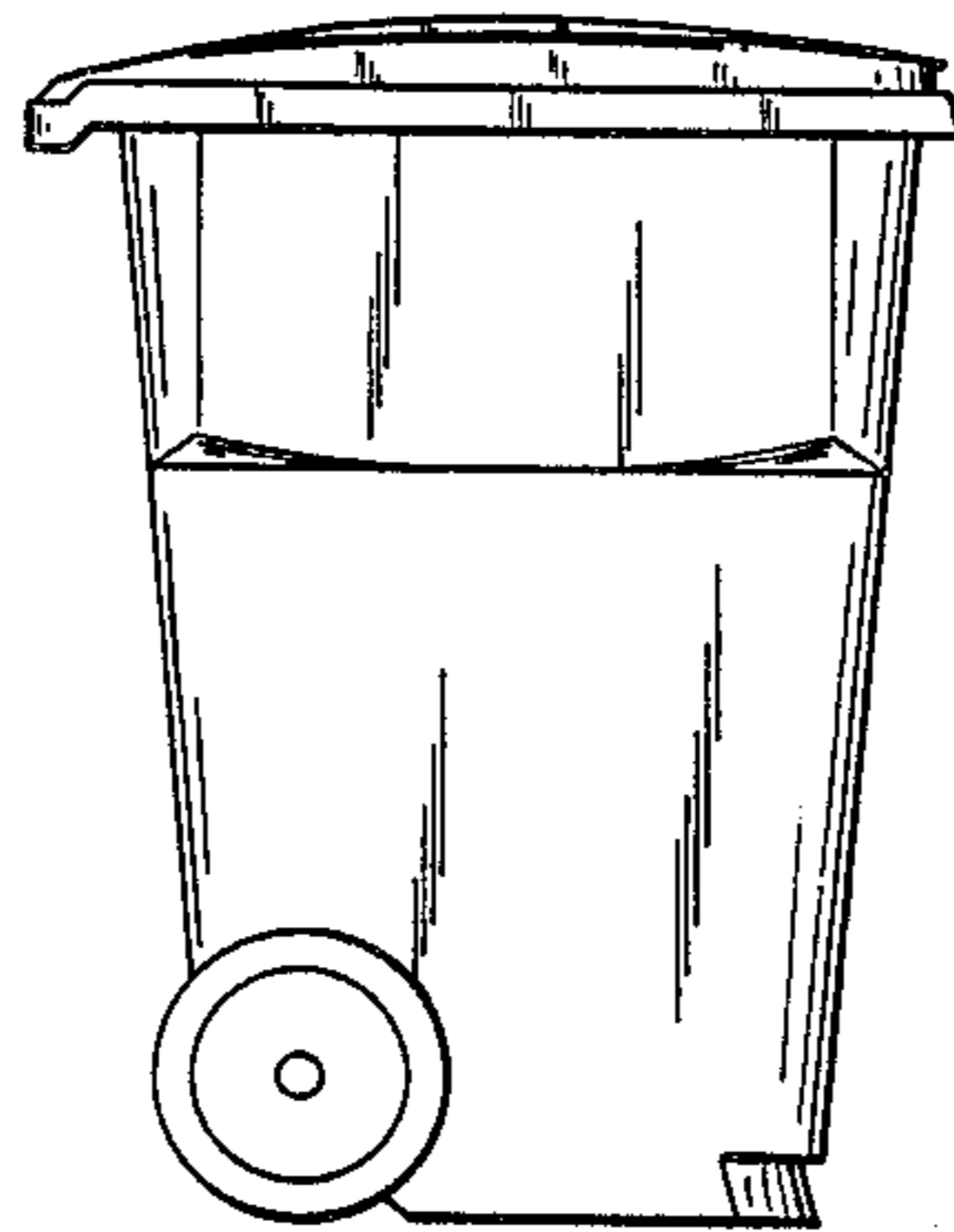


Fig. 1

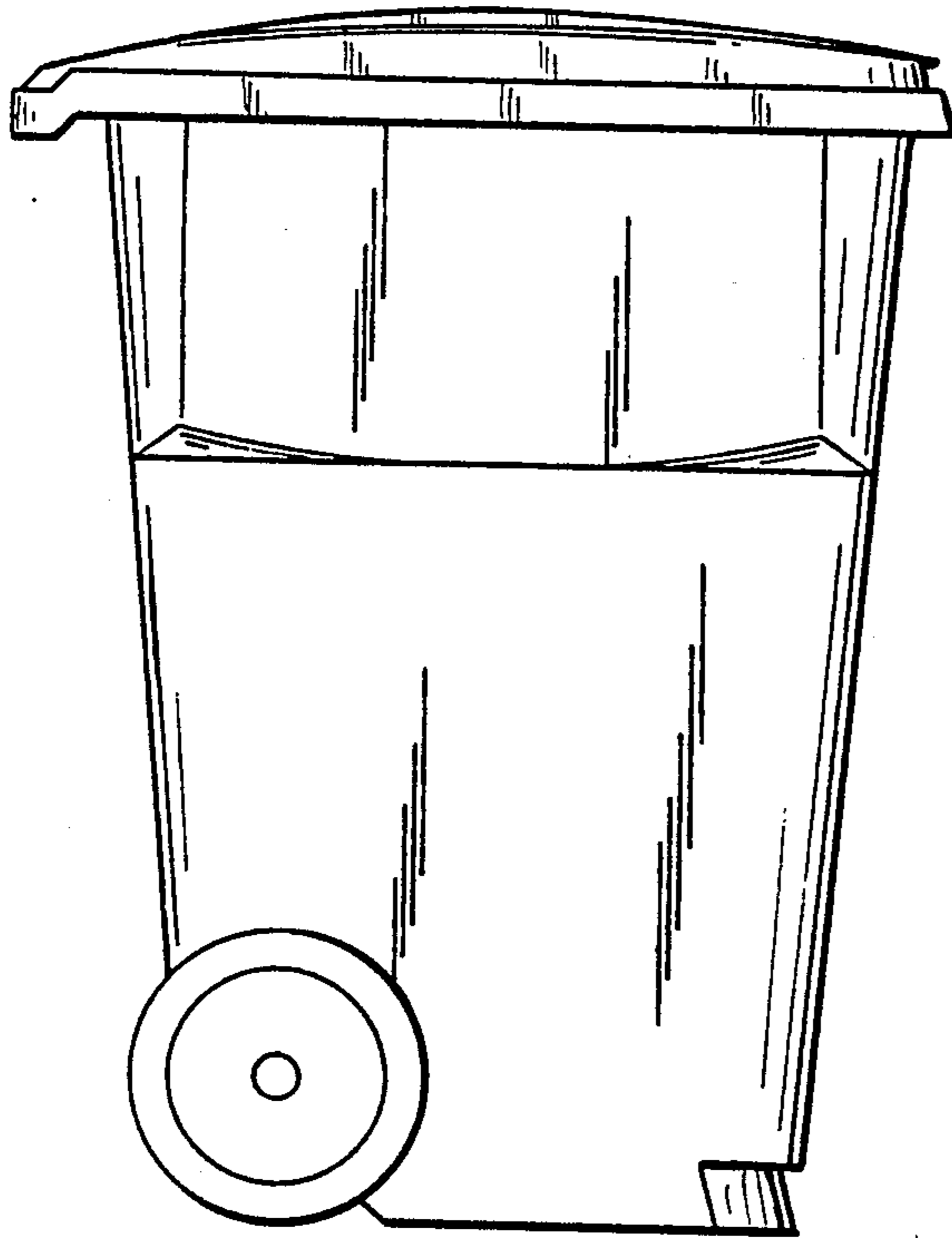


Fig. 2

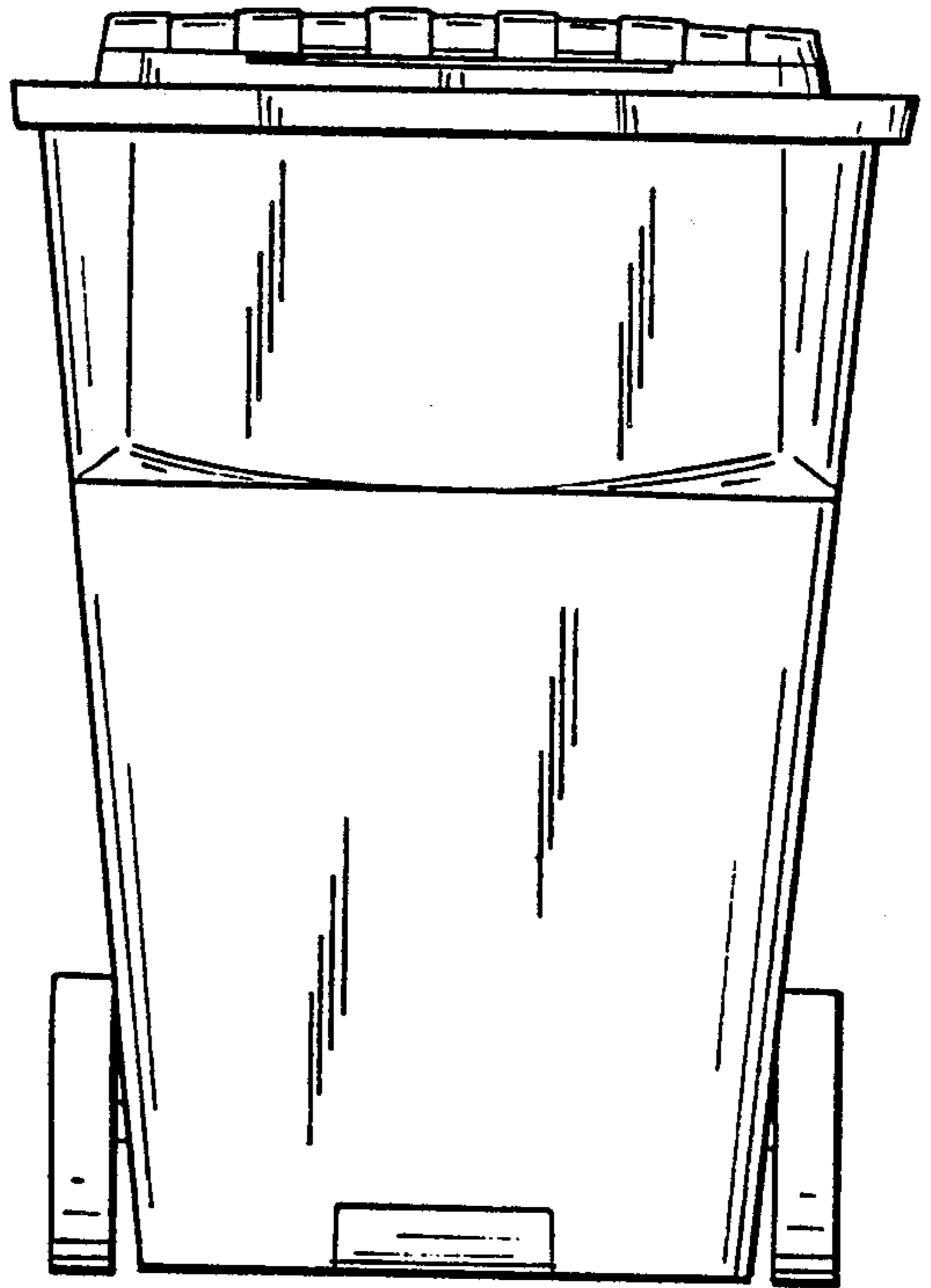


Fig. 3

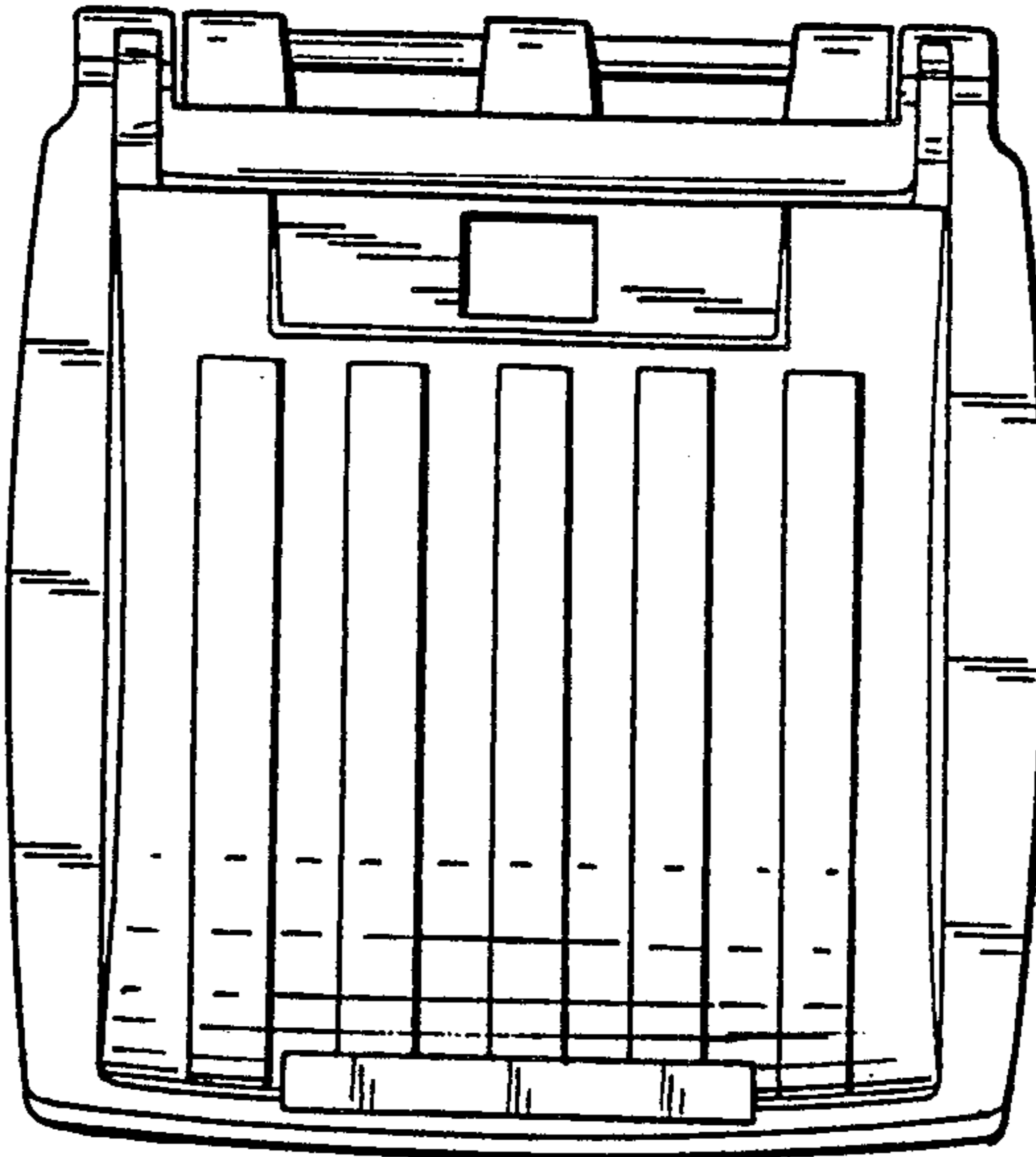


Fig. 4

