

[54] **IRON**

[75] **Inventor: Lung W. Choi, Kowloon, Hong Kong**

[73] **Assignee: Goodway Electrical Company Limited, Kowloon, Hong Kong**

[**] **Term: 14 Years**

[21] **Appl. No.: 97,939**

[22] **Filed: Sep. 17, 1987**

[30] **Foreign Application Priority Data**
Mar. 17, 1987 [GB] United Kingdom 1040790

[52] **U.S. Cl. D32/70**

[58] **Field of Search D32/68-73; 38/69, 74, 88; 219/245, 254, 271, 273, 275**

[56] **References Cited**
U.S. PATENT DOCUMENTS

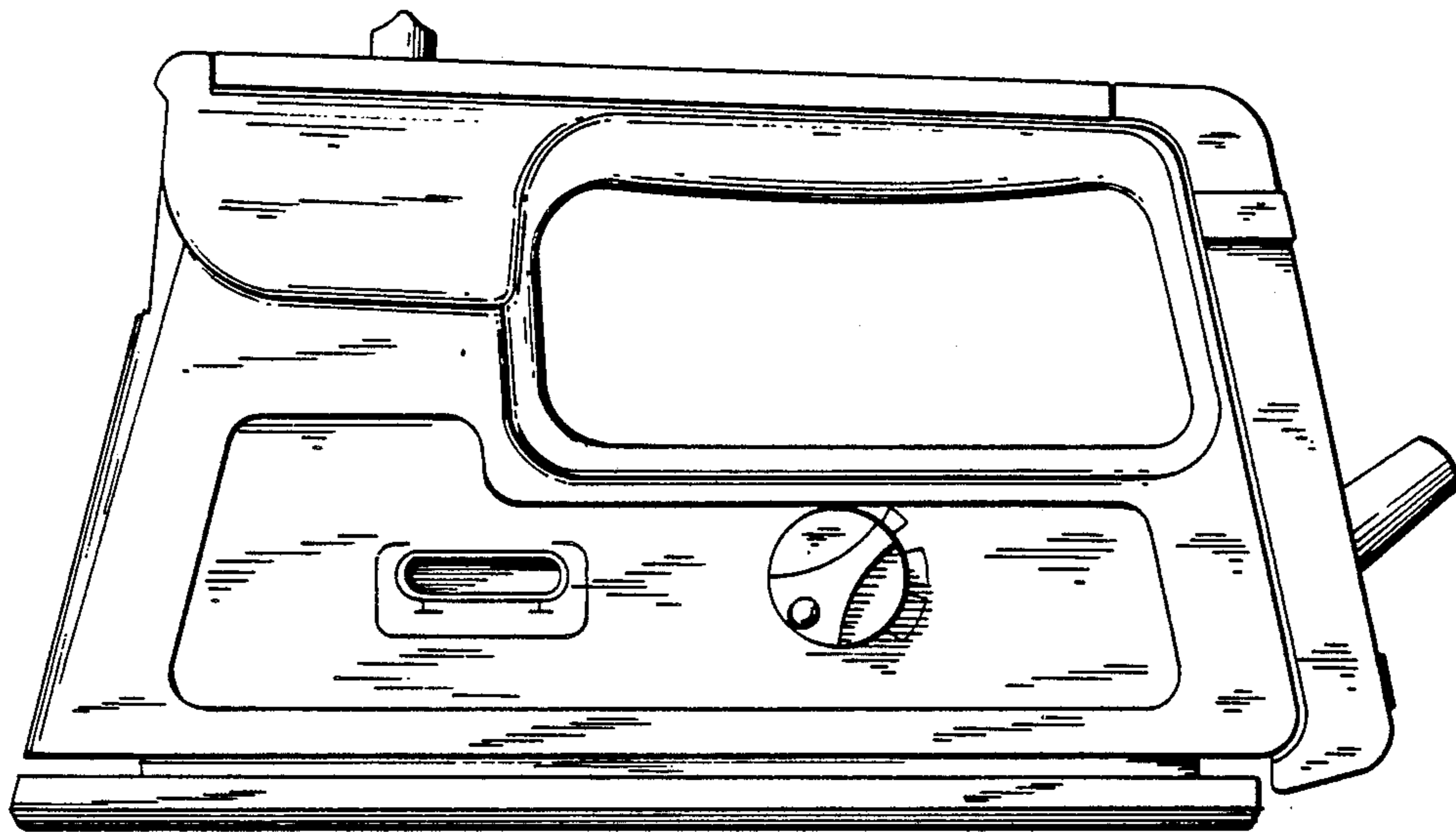
D. 269,213	5/1983	Martin	D32/70
D. 284,800	7/1986	Cavalli	D32/70
D. 287,659	1/1987	Wu	D32/70
D. 290,899	7/1987	Brun	D32/70
D. 291,130	7/1987	Brun	D32/70

Primary Examiner—Wallace R. Burke
Assistant Examiner—Brian N. Vinson
Attorney, Agent, or Firm—Spencer & Frank

[57] **CLAIM**
The ornamental design for an iron, as shown.

DESCRIPTION

FIG. 1 is a top plan view of an iron showing my new design;
FIG. 2 is a bottom plan view thereof;
FIG. 3 is a front elevational view thereof;
FIG. 4 is a rear elevational view thereof;
FIG. 5 is a right side elevational view thereof; and,
FIG. 6 is a left side elevational view thereof.



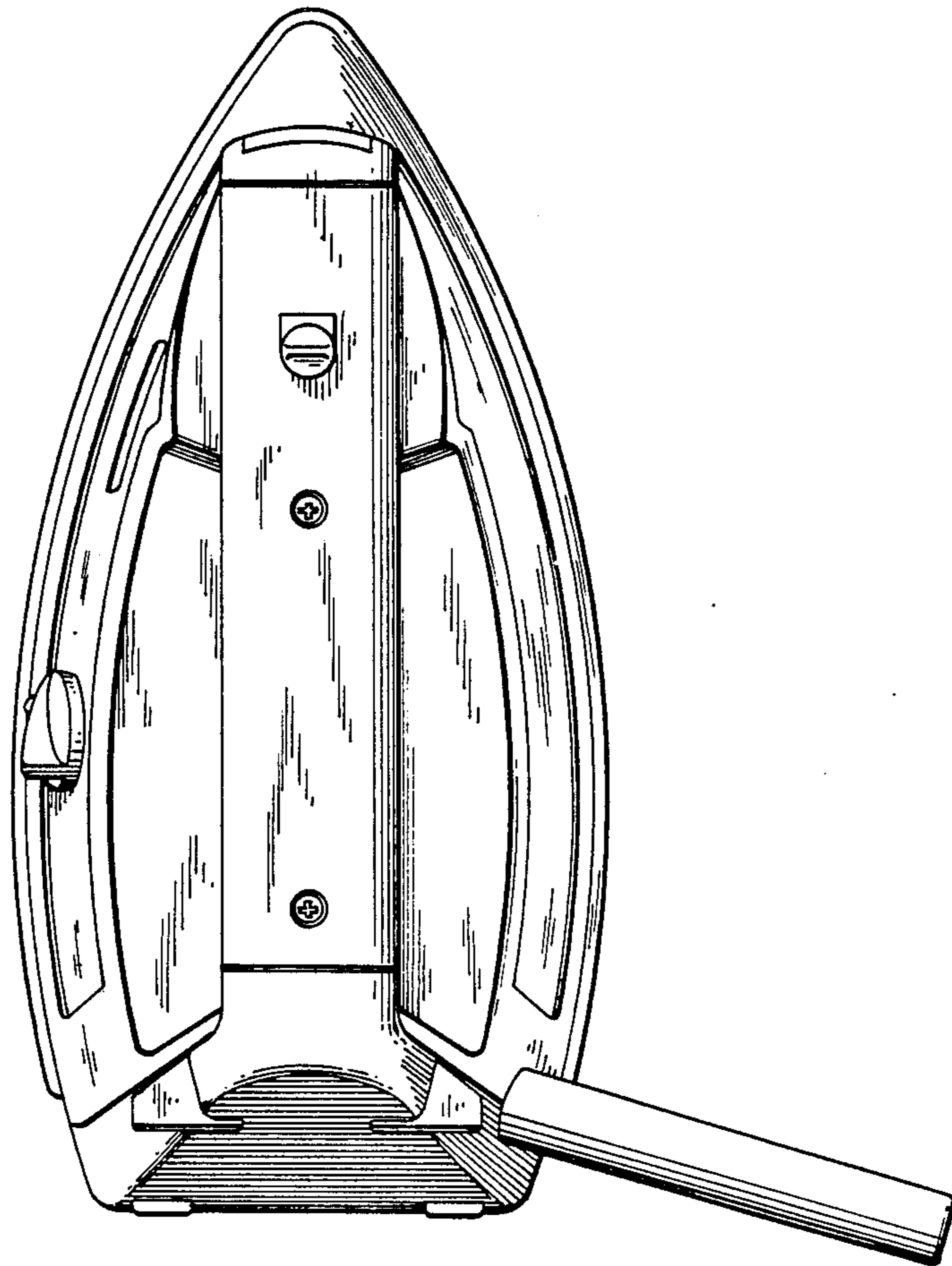


Fig. 1.

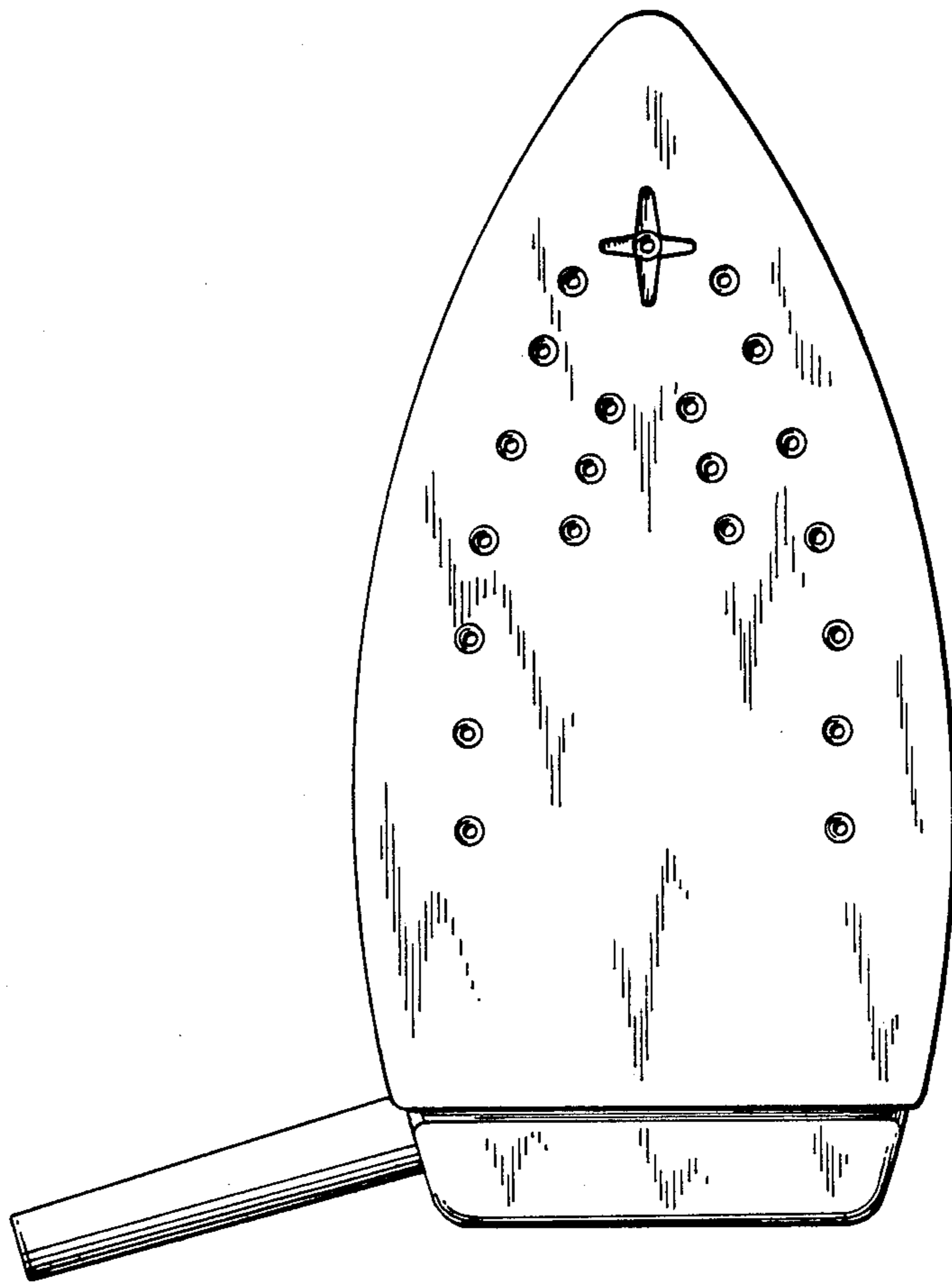


Fig. 2.

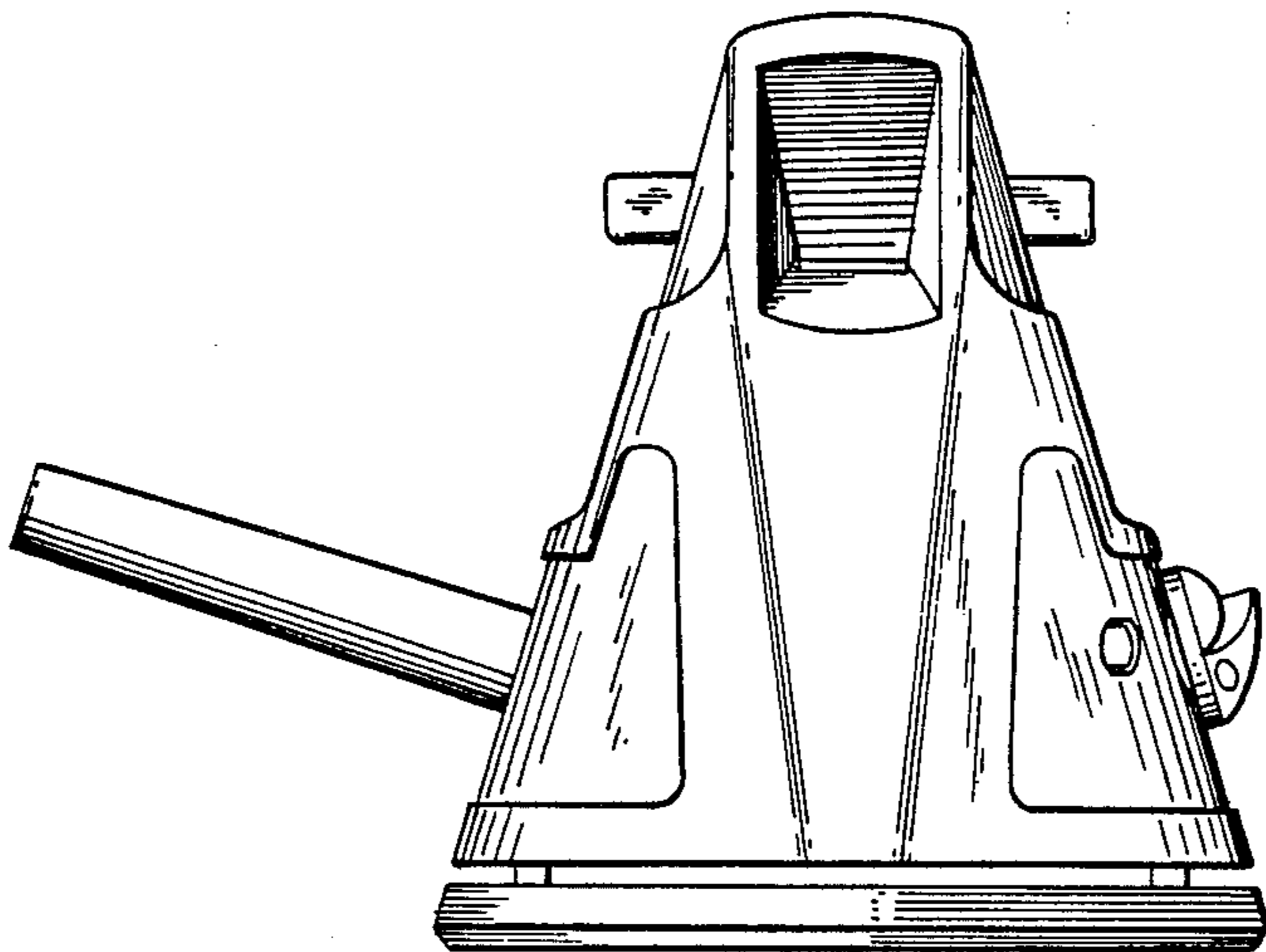


Fig.3.

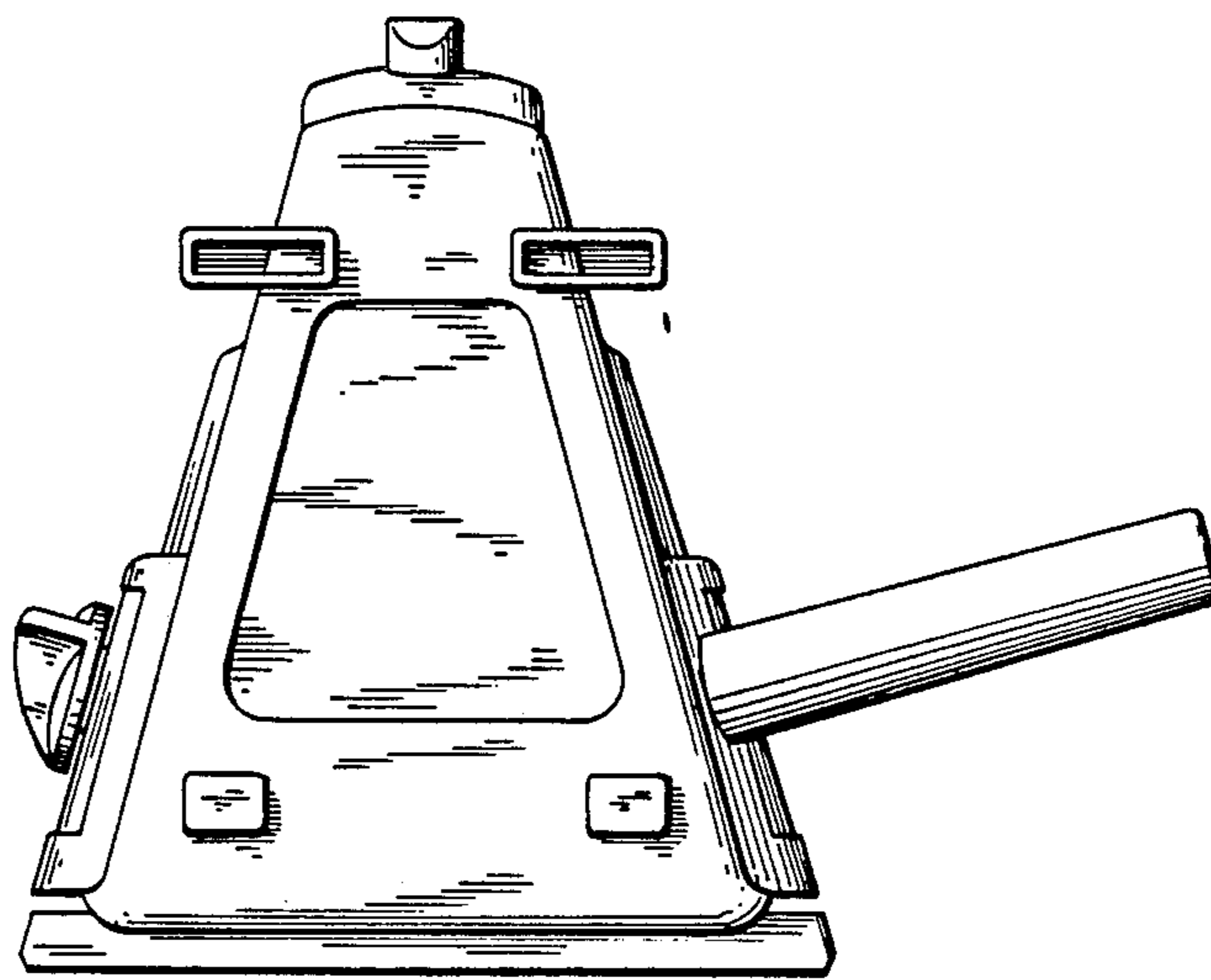


Fig.4.

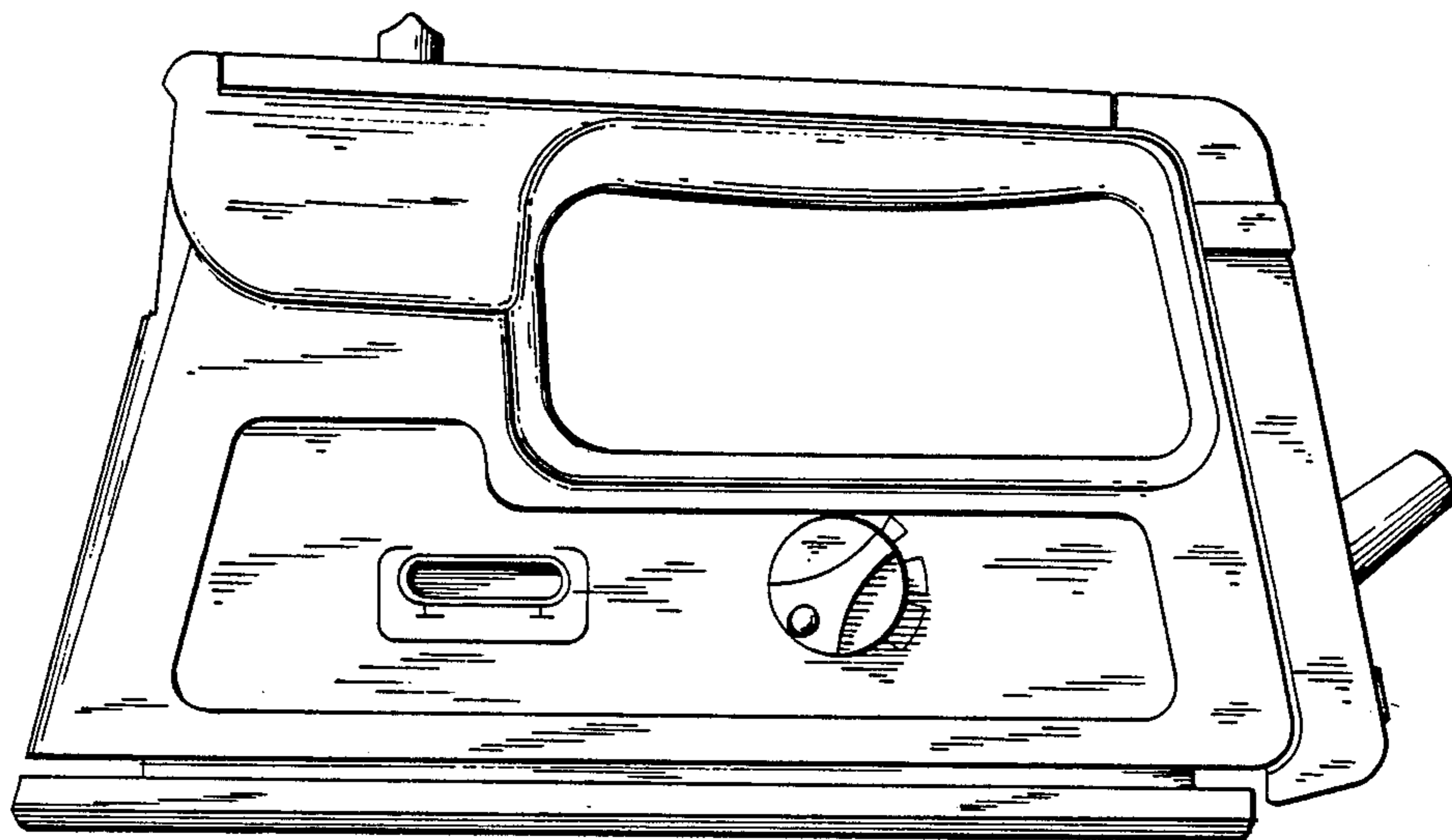


Fig. 5.

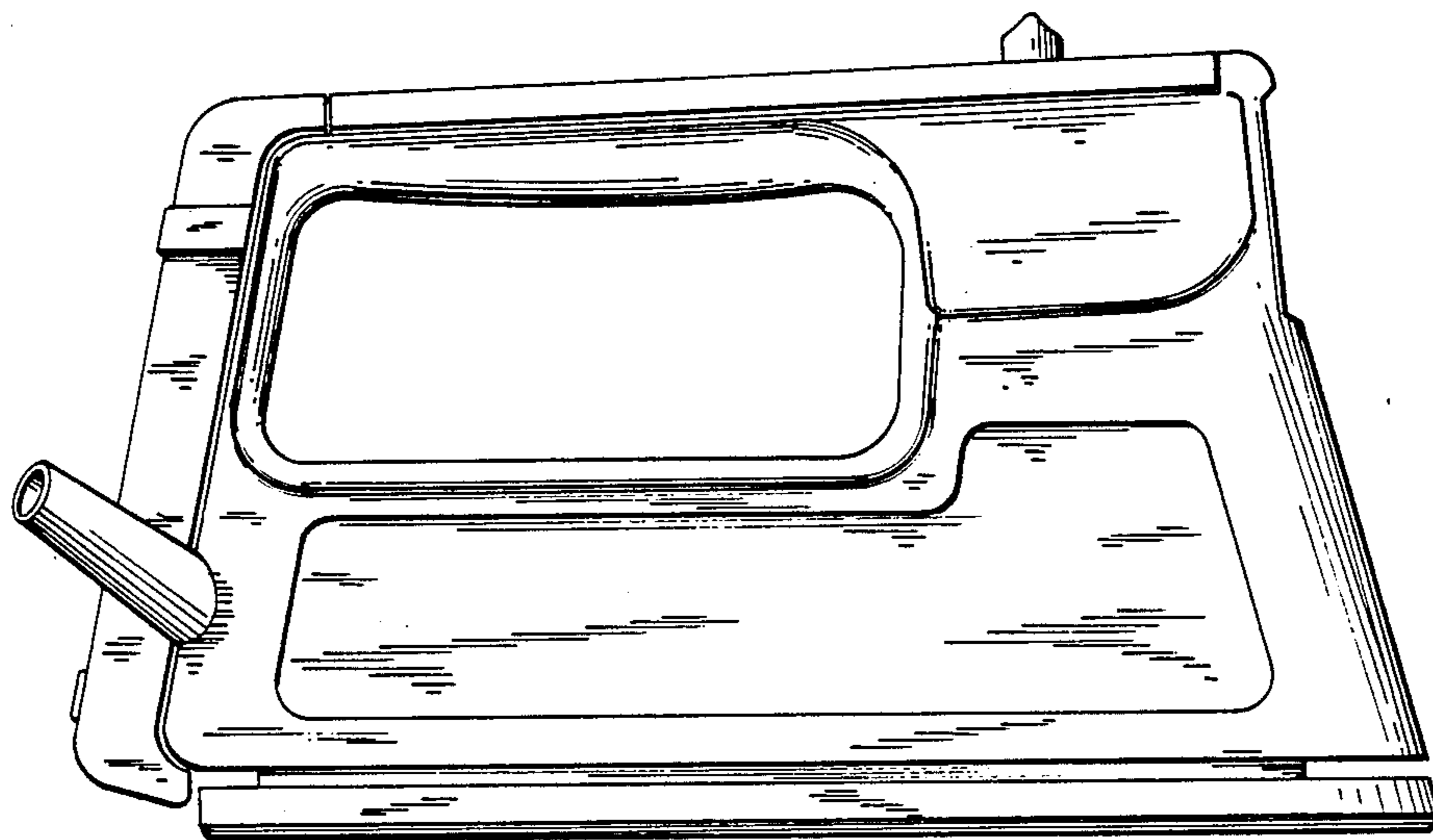


Fig. 6.