

[54] **COMBINED HOLDER AND DISPENSER  
FOR BIRD FEED CONTAINER**

[75] **Inventor: Norman M. Earl, Bristol, Conn.**

[73] **Assignee: The Bird Chef Co., Inc., Collinsville,  
Conn.**

[\*\*] **Term: 14 Years**

[21] **Appl. No.: 61,399**

[22] **Filed: Jun. 15, 1987**

[52] **U.S. Cl. .... D30/124; D30/131**

[58] **Field of Search .... D30/121-133;  
119/18, 51 R, 52 R**

[56] **References Cited**

**U.S. PATENT DOCUMENTS**

D. 138,103 6/1944 Setzer ..... D30/131  
D. 289,451 4/1987 Earl ..... D30/124  
2,875,729 3/1959 Gibson ..... 119/52 R

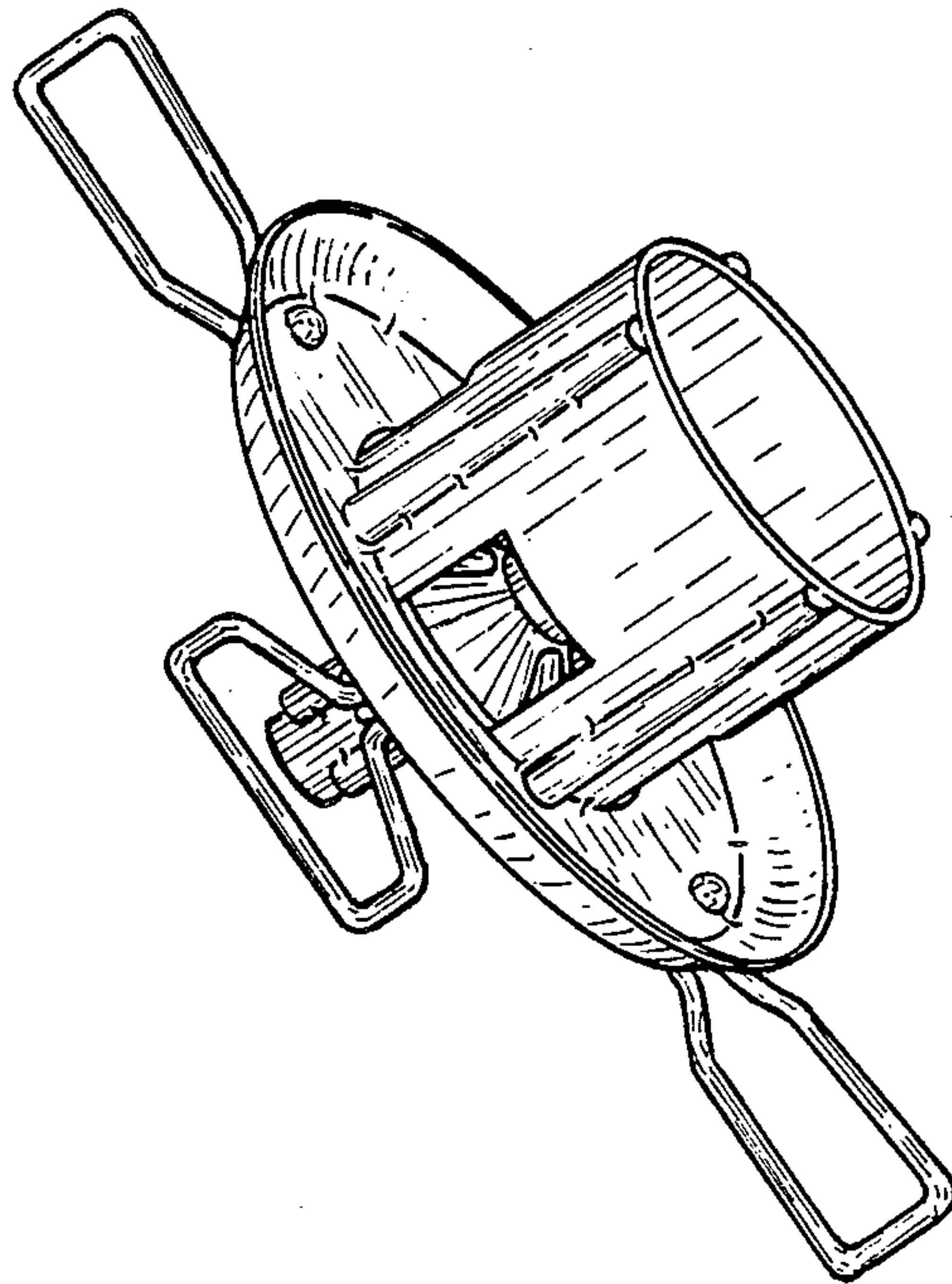
*Primary Examiner*—James R. Largen  
*Attorney, Agent, or Firm*—Chilton, Alix & Van Kirk

[57] **CLAIM**

The ornamental design for a combined holder and dispenser for bird feed container, as shown and described.

**DESCRIPTION**

FIG. 1 is a side elevational view of a combined holder and dispenser for bird feed container showing my new design, the other sides being the same as the side shown; FIG. 2 is a top plan view thereof; FIG. 3 is a bottom plan view thereof; and, FIG. 4 is a top perspective view thereof.



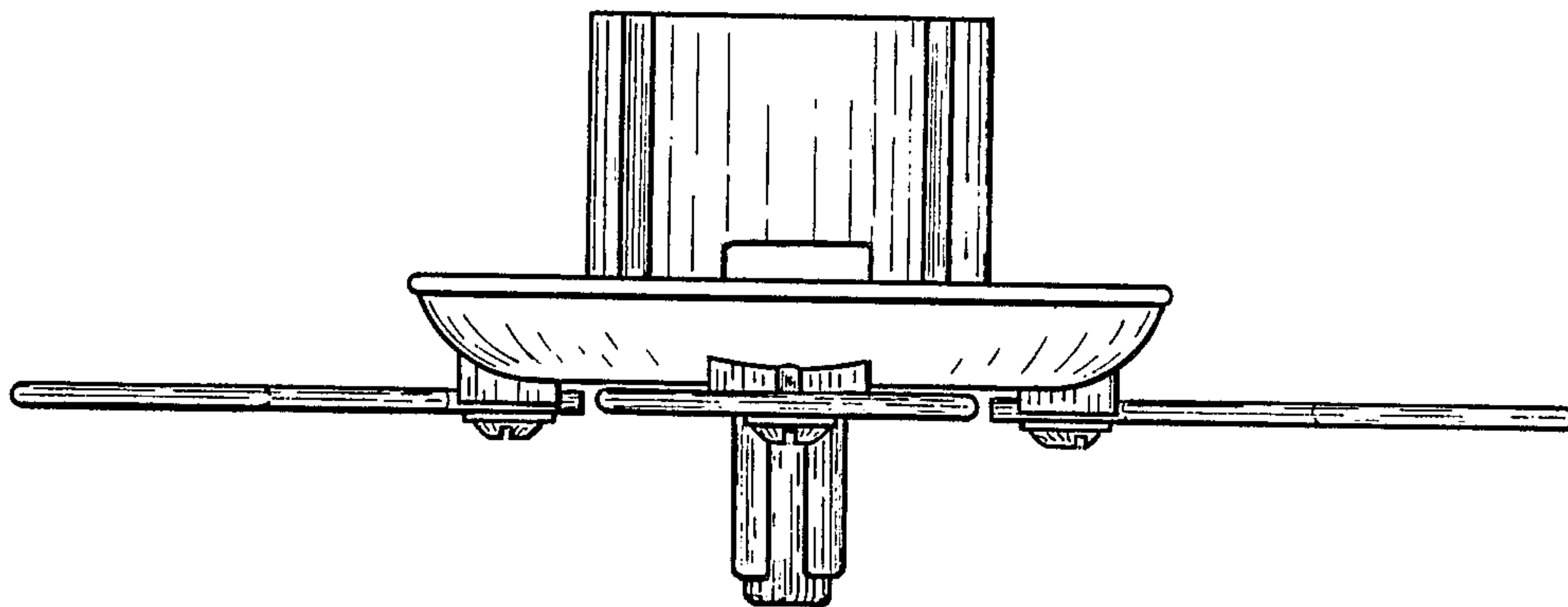


Fig. 1

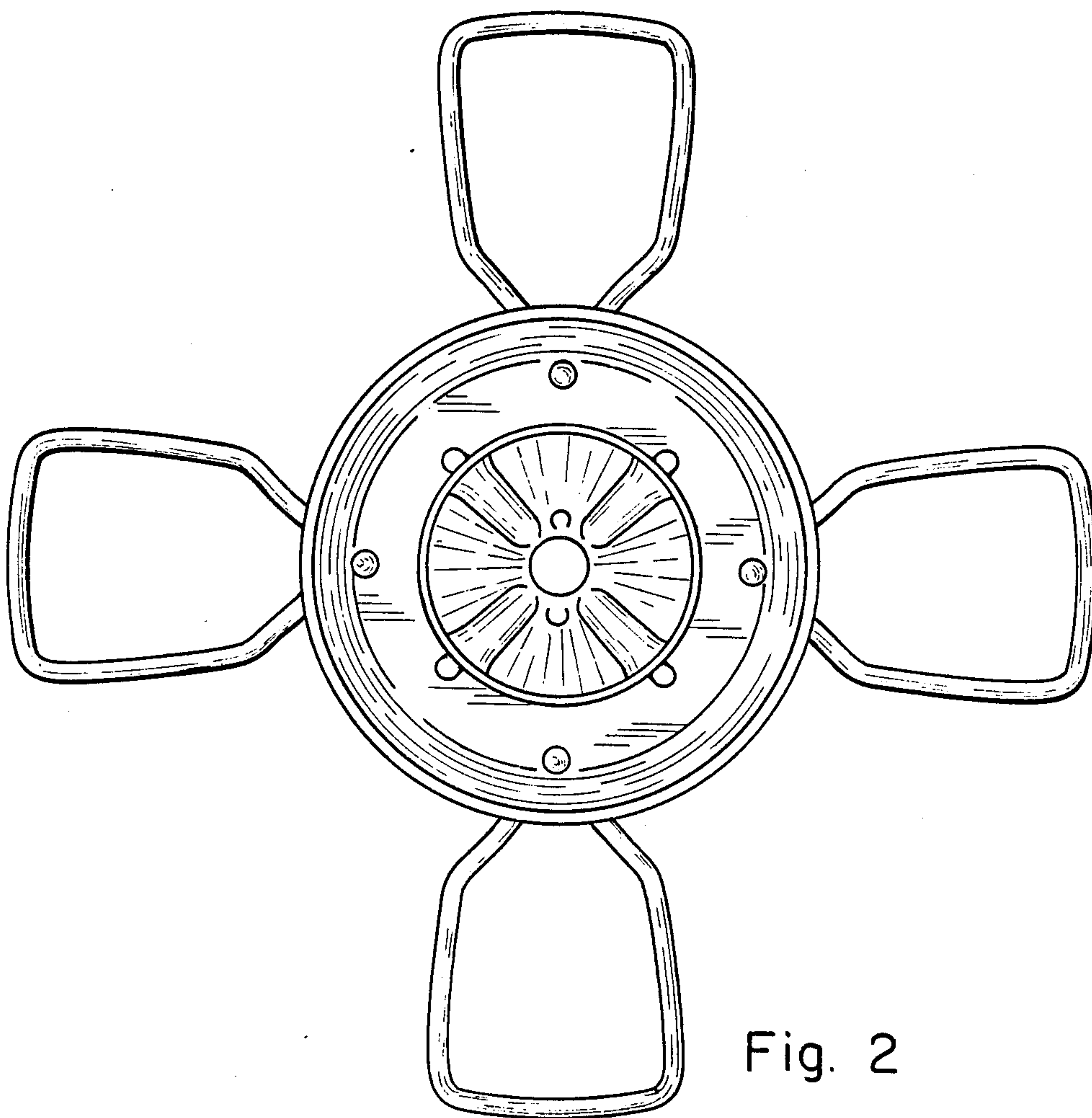


Fig. 2

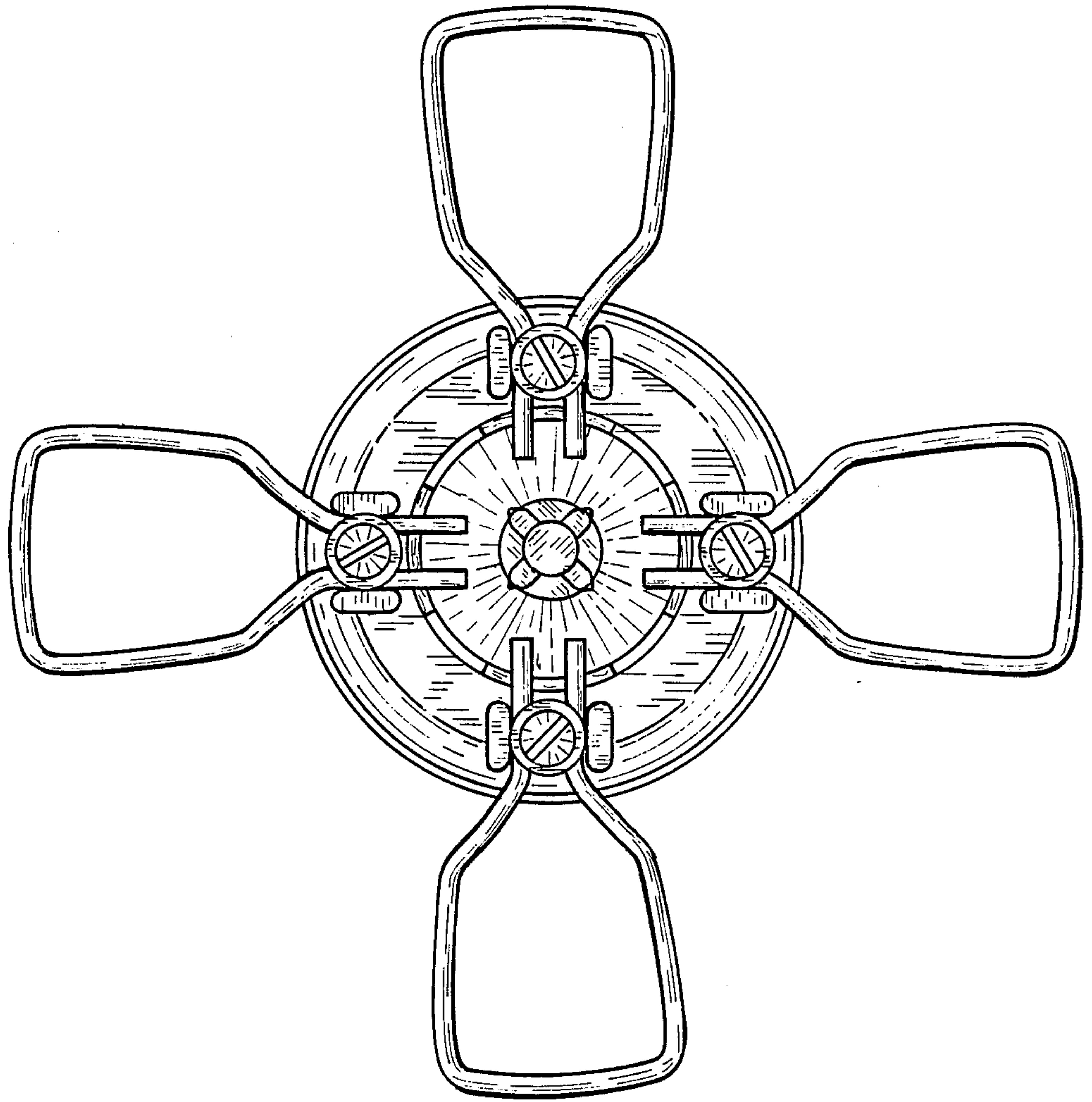


Fig. 3

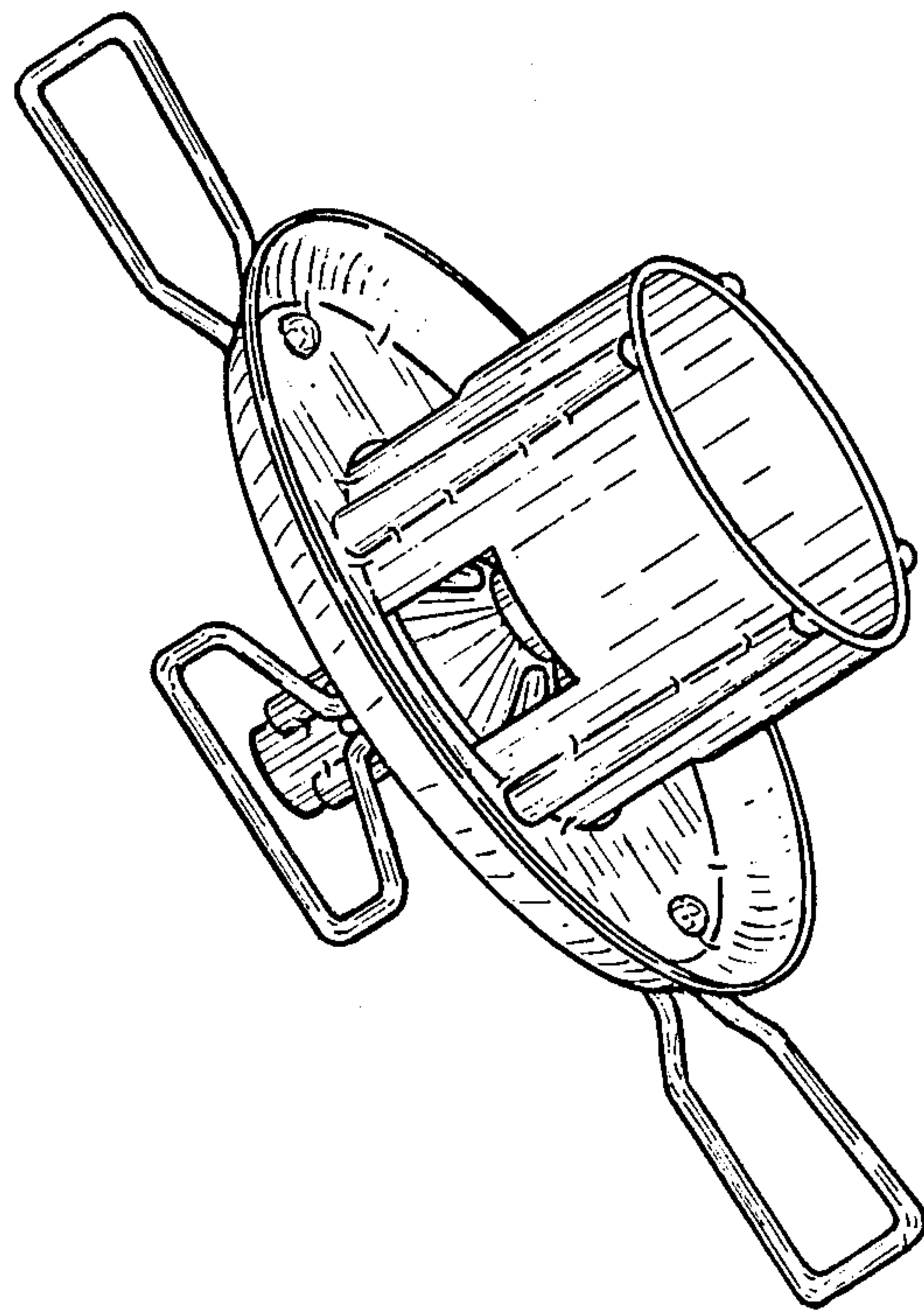


Fig. 4