

[54] WALL MOUNTED RECESSED DRYER

[75] Inventors: Henry C. Keck, Pasadena; Roy K. Fujitaki, Altadena, both of Calif.

[73] Assignee: Bobrick Washroom Equipment, Inc., North Hollywood, Calif.

[\*\*] Term: 14 Years

[21] Appl. No.: 856,118

[22] Filed: Apr. 21, 1986

[52] U.S. Cl. .... D28/54.1

[58] Field of Search ..... D28/54.1; 34/201; 219/364, 366, 368, 373

[56] References Cited

U.S. PATENT DOCUMENTS

- D. 285,602 9/1986 Warshaw et al. .... D28/54.1
- D. 294,875 3/1988 Keck et al. .... D28/54.1

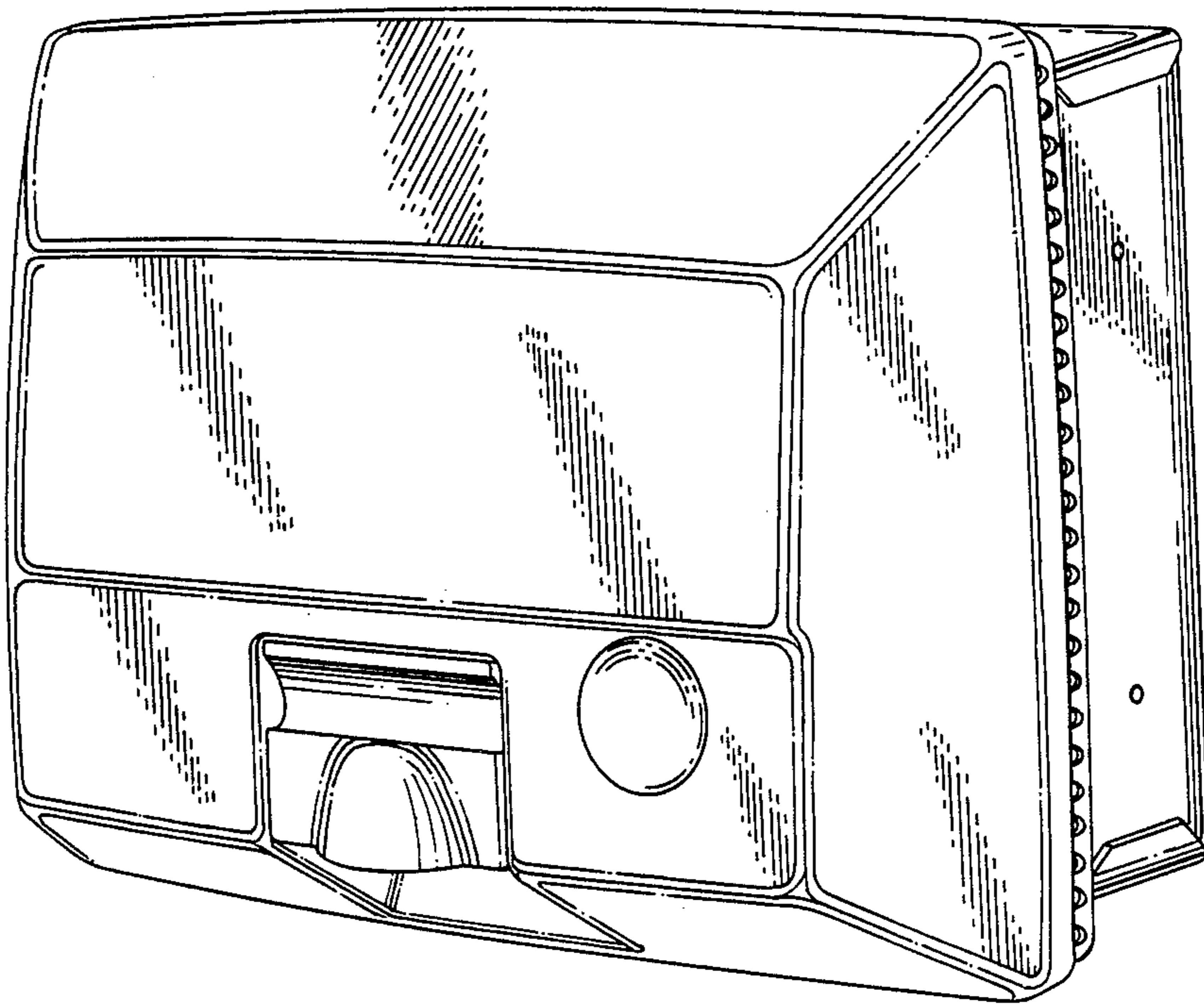
Primary Examiner—James M. Gandy  
Assistant Examiner—Lisa Lichtenstein  
Attorney, Agent, or Firm—Lyon & Lyon

[57] CLAIM

The ornamental design for a wall mounted recessed dryer, as shown and described.

DESCRIPTION

FIG. 1 is a perspective view of the wall mounted recessed dryer showing my new design;  
 FIG. 2 is a side elevation view thereof;  
 FIG. 3 is a bottom plan view thereof;  
 FIG. 4 is a rear elevation view thereof;  
 FIG. 5 is top plan view thereof;  
 FIG. 6 is a perspective view of a wall mounted recessed dryer showing a second embodiment of our new design, the sole difference being in the omission of a start button;  
 FIG. 7 is a bottom plan view of the second embodiment shown in FIG. 6.



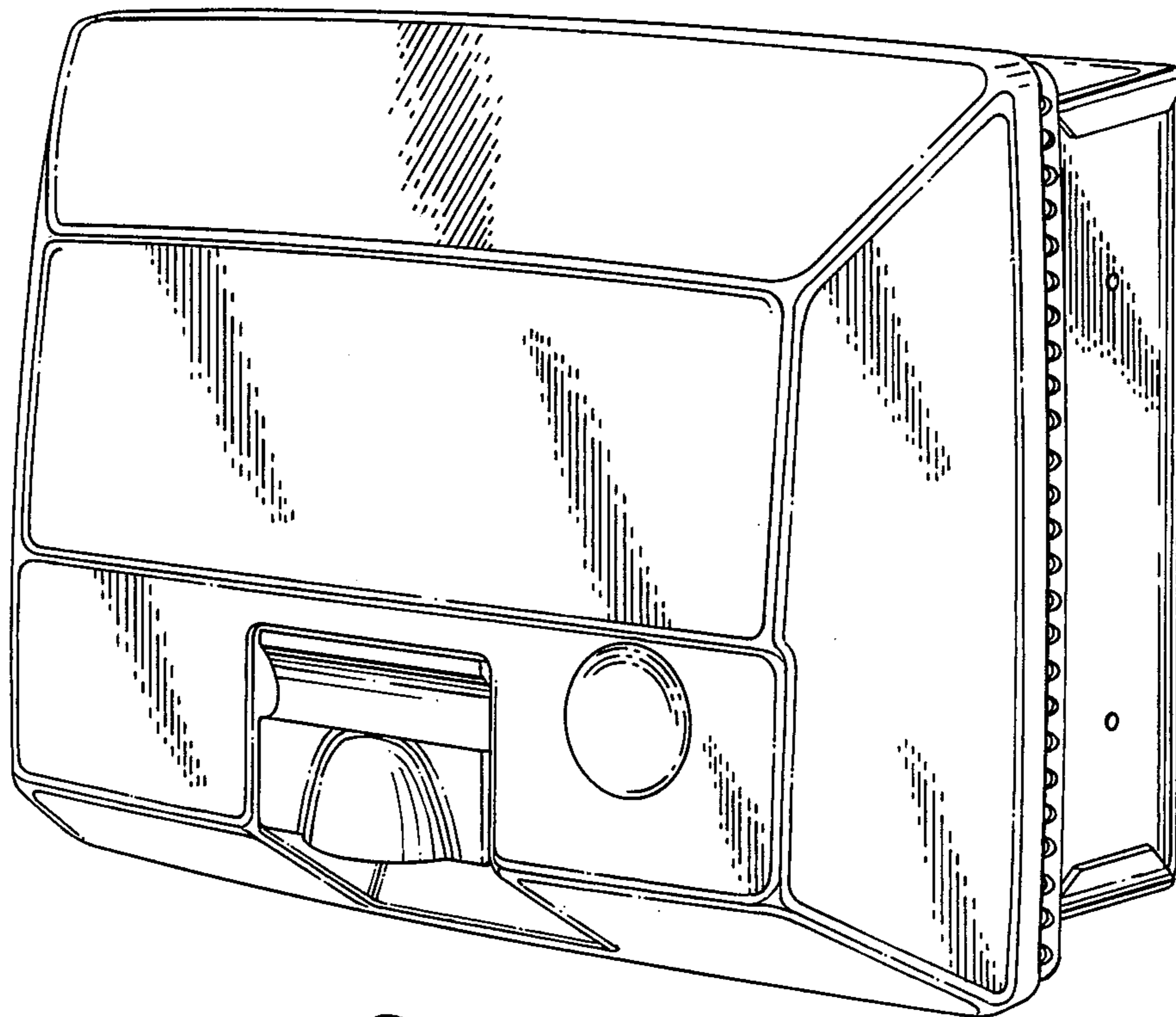


FIG. 1.

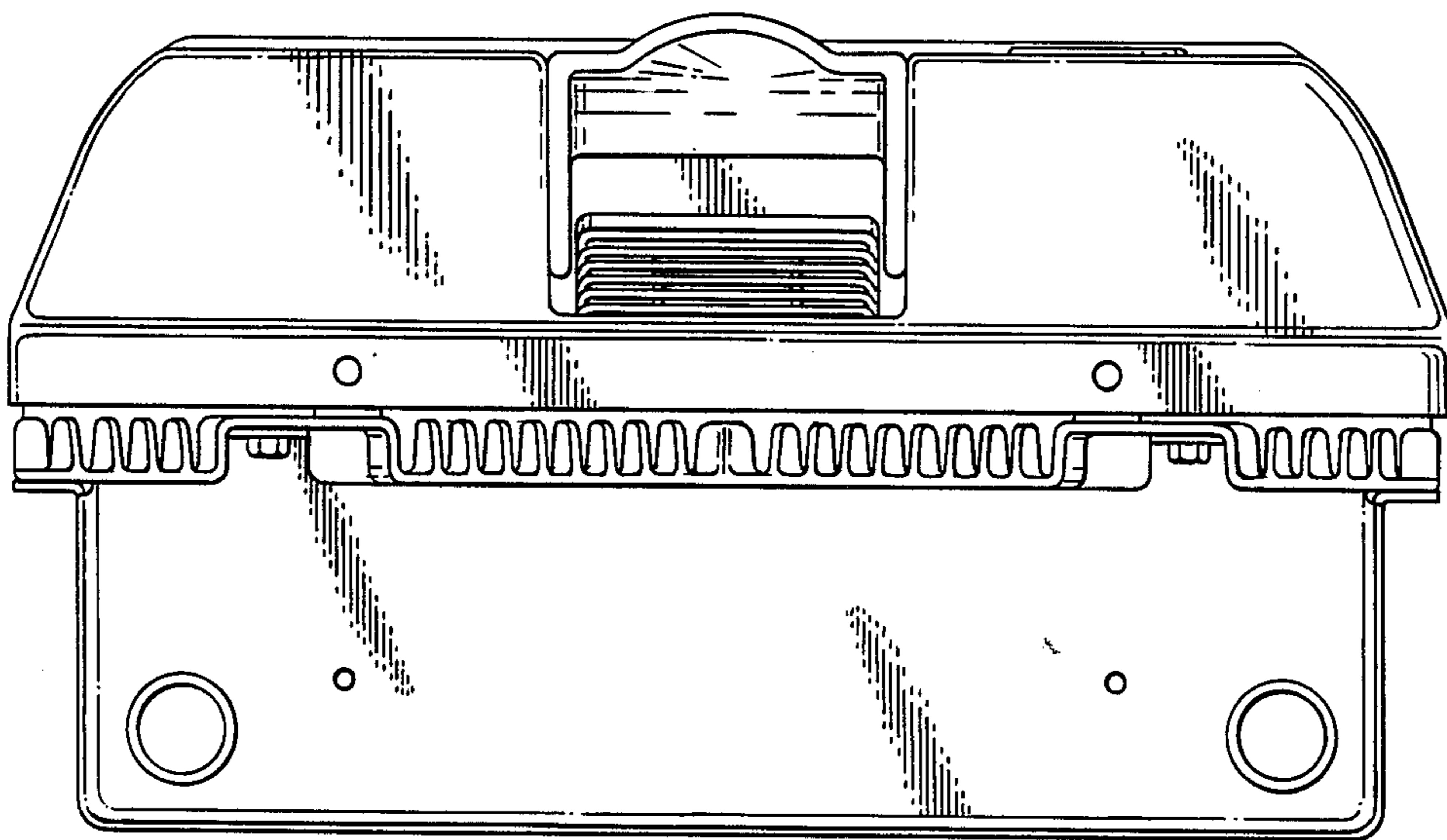


FIG. 3.

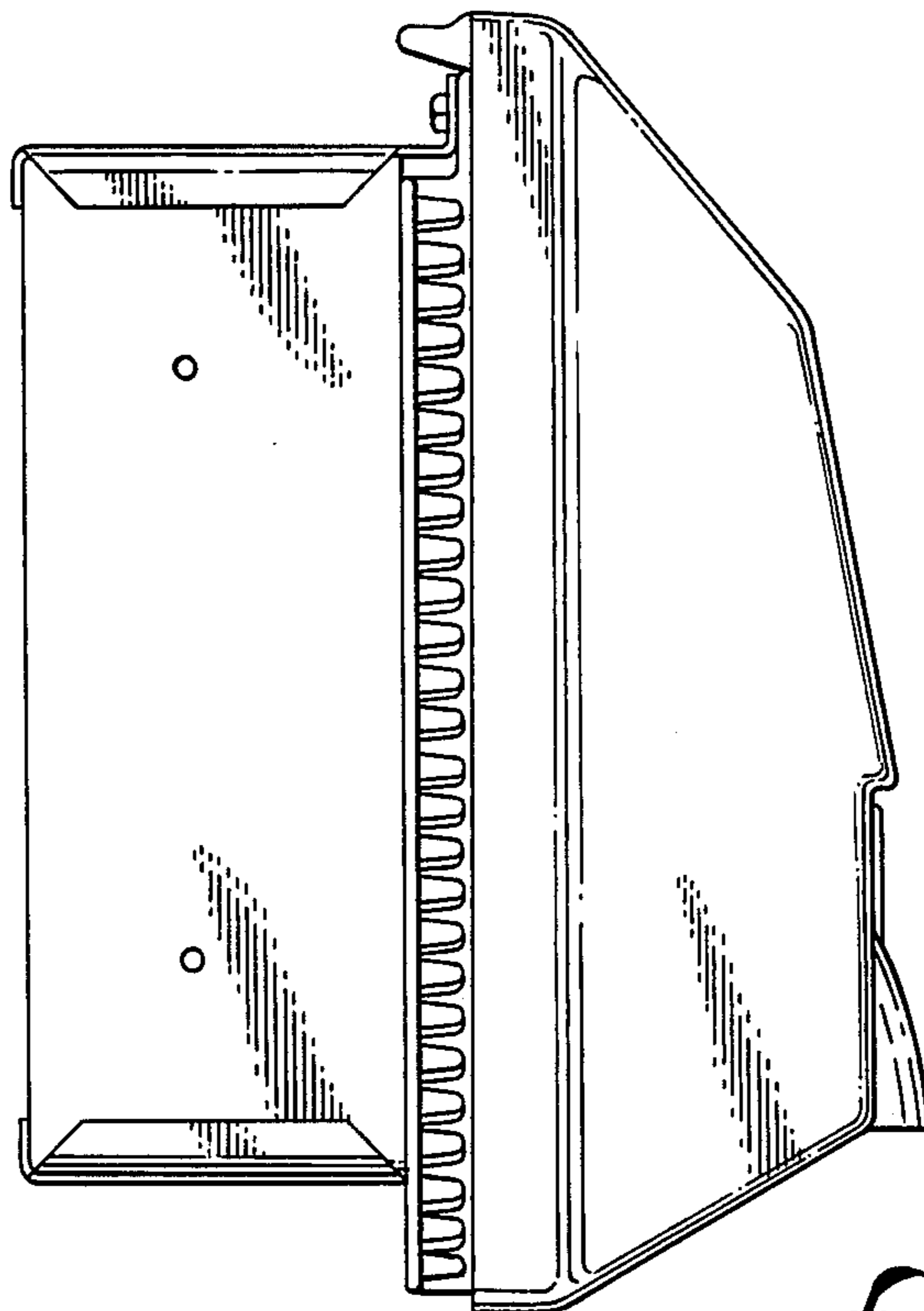


FIG. 2.

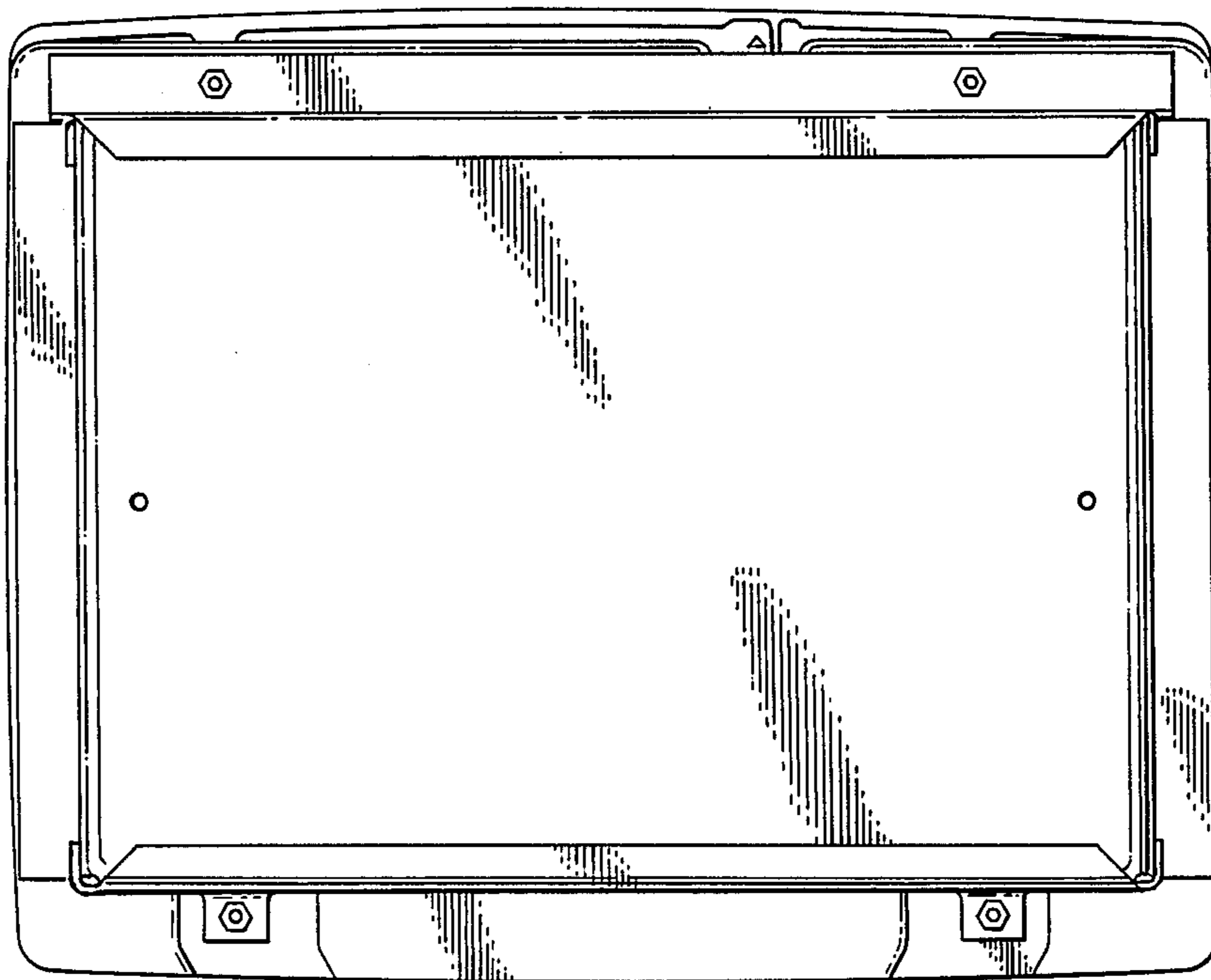
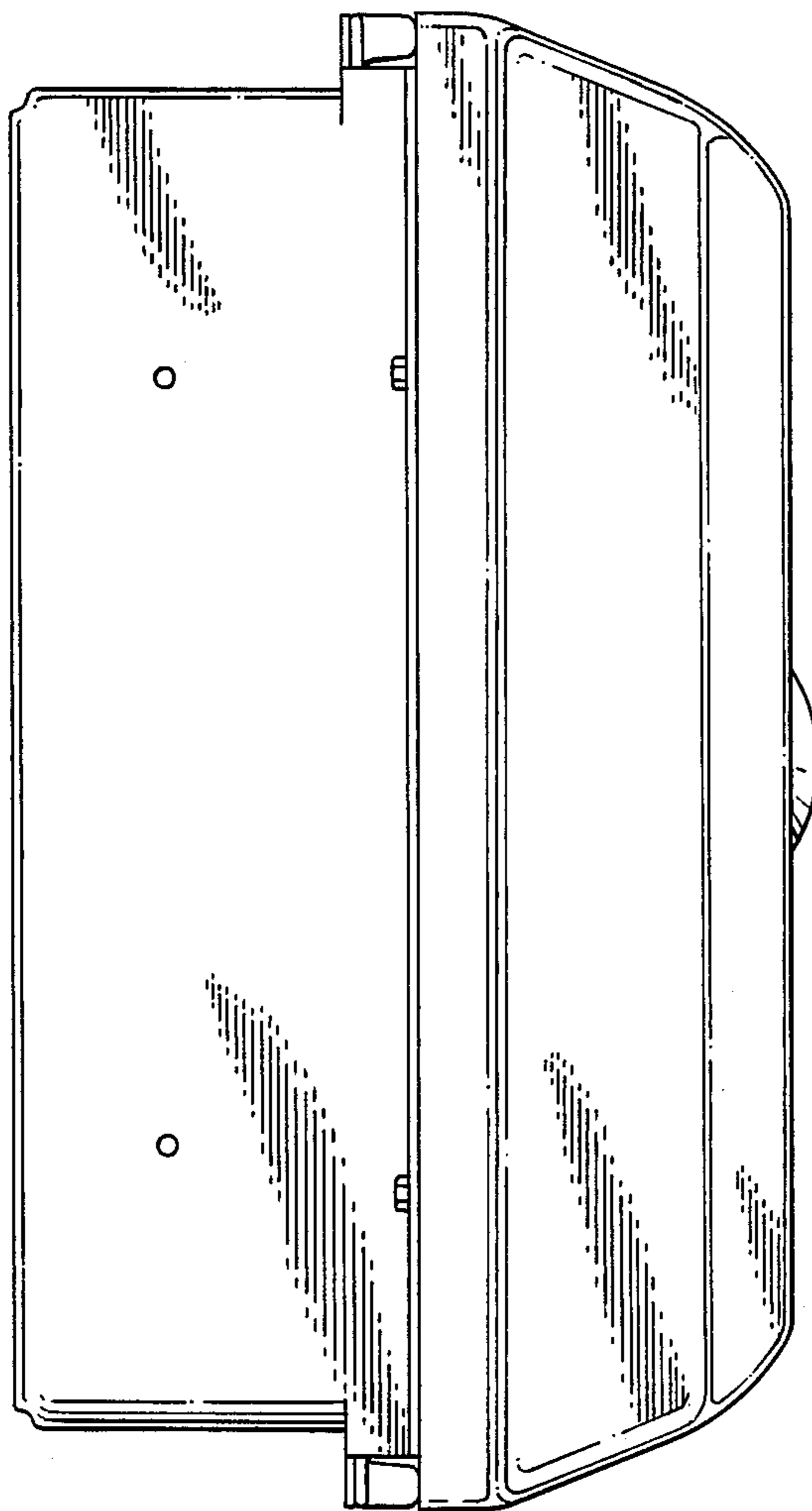


FIG. 4.



*FIG. 5.*

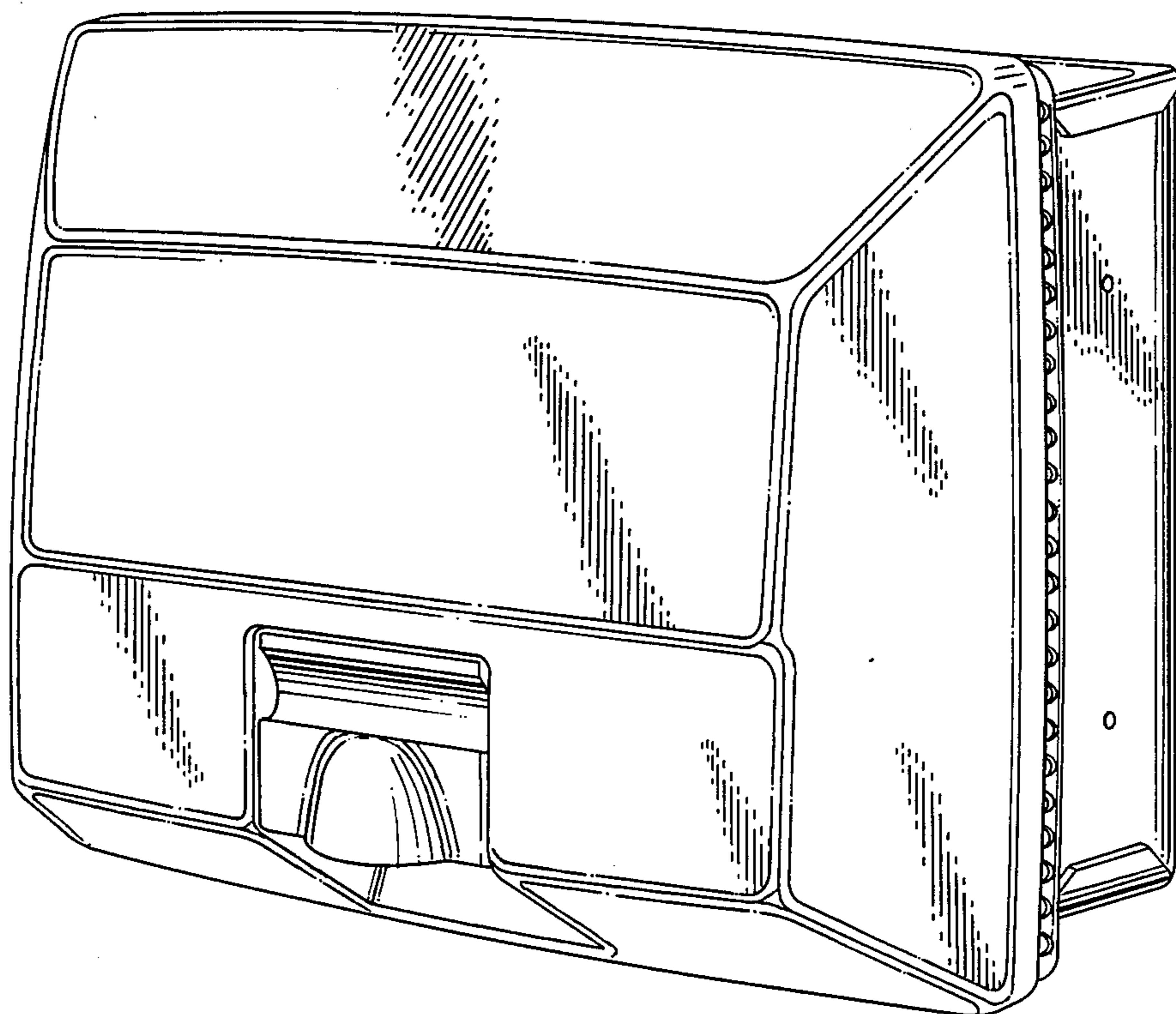


FIG. 6.

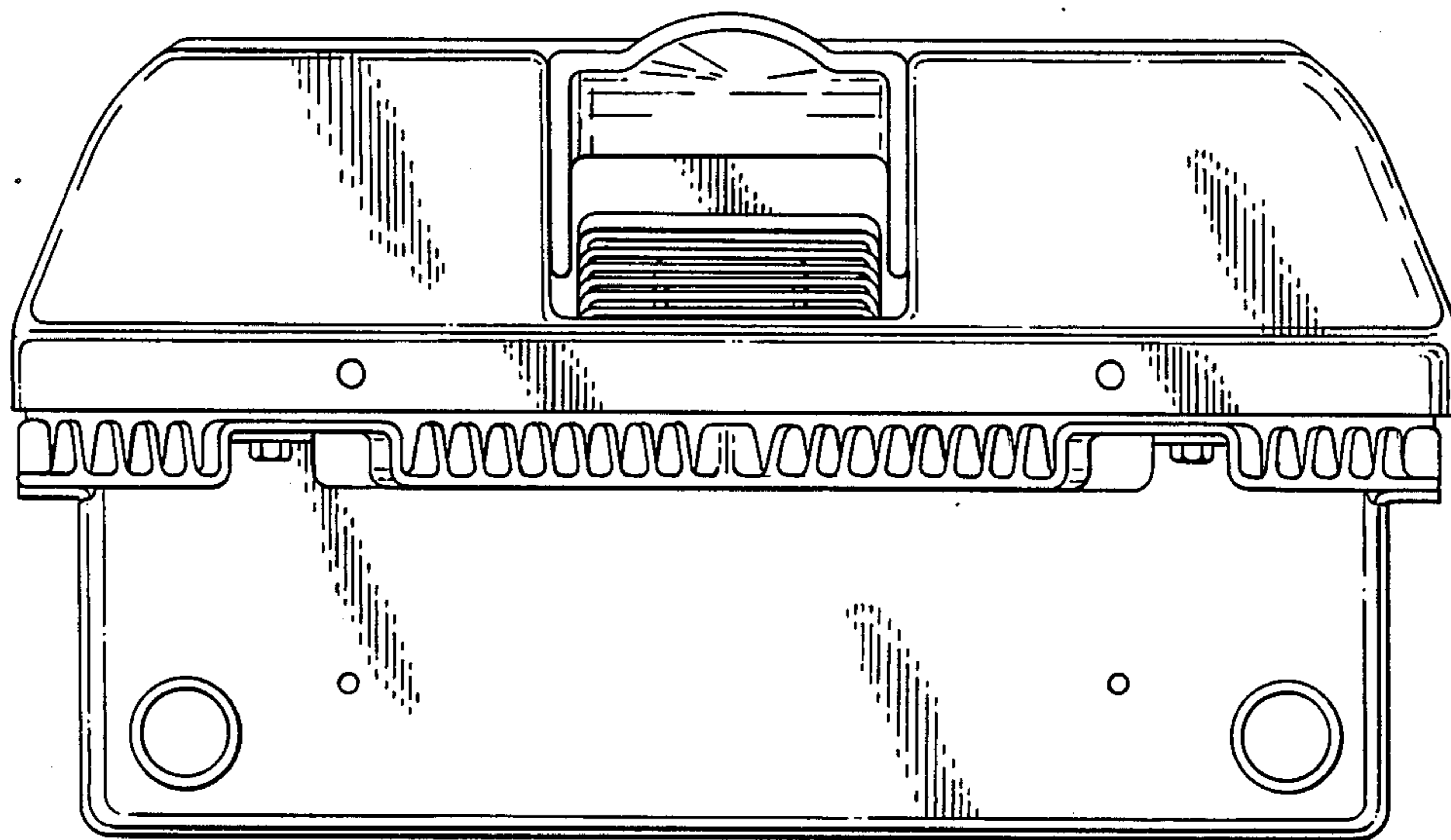


FIG. 7.