

United States Patent [19]

Beuchat

[11] Patent Number: **Des. 302,869**

[45] Date of Patent: **** Aug. 15, 1989**

[54] SAFETY RAZOR

[75] Inventor: **Roland Beuchat**, Cologny,
Switzerland

[73] Assignee: **Synertrade and Finance S.A.**,
Carouge, Switzerland

[**] Term: **14 Years**

[21] Appl. No.: **917,512**

[22] Filed: **Oct. 10, 1986**

[30] Foreign Application Priority Data

Apr. 10, 1986 [IB] Int'l Pat. Institute DMA/000 488

[52] U.S. Cl. **D28/46**

[58] Field of Search **D28/44-54;**
30/30-32, 34 R, 47, 50, 78, 81, 85-88, 90

[56] References Cited

U.S. PATENT DOCUMENTS

D. 164,287 8/1951 Bacco et al. D28/46
D. 190,911 7/1961 Geery D28/46

Primary Examiner—Louis S. Zarfaz
Attorney, Agent, or Firm—Young & Thompson

[57] CLAIM

The ornamental design for a safety razor, as shown.

DESCRIPTION

FIG. 1 is a perspective view of a safety razor showing my new design;

FIG. 2 is a rear elevational view;

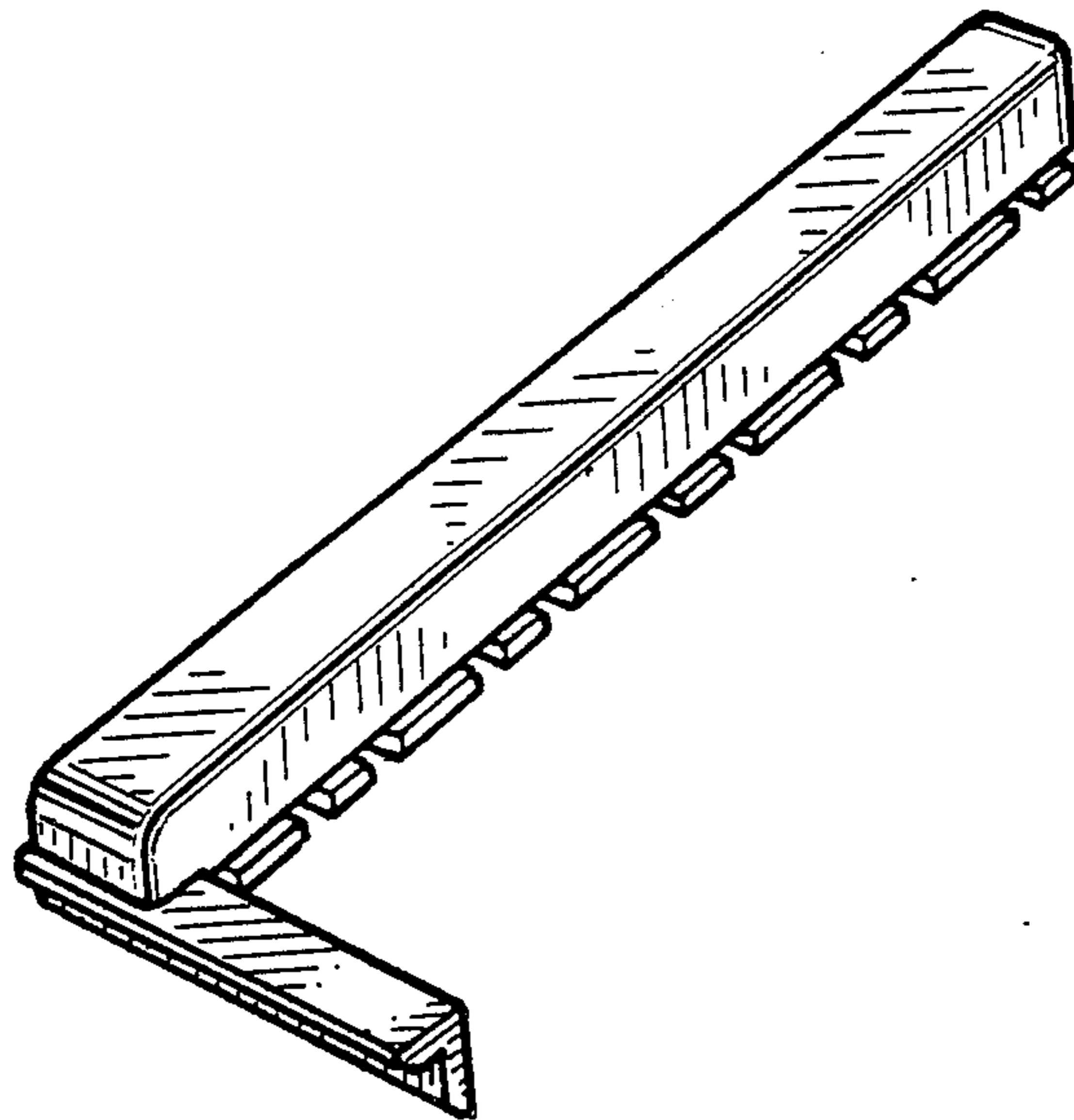
FIG. 3 is a front elevational view;

FIG. 4 is a bottom plan view;

FIG. 5 is a top plan view;

FIG. 6 is a right side elevational view; and

FIG. 7 is a left side elevational view.



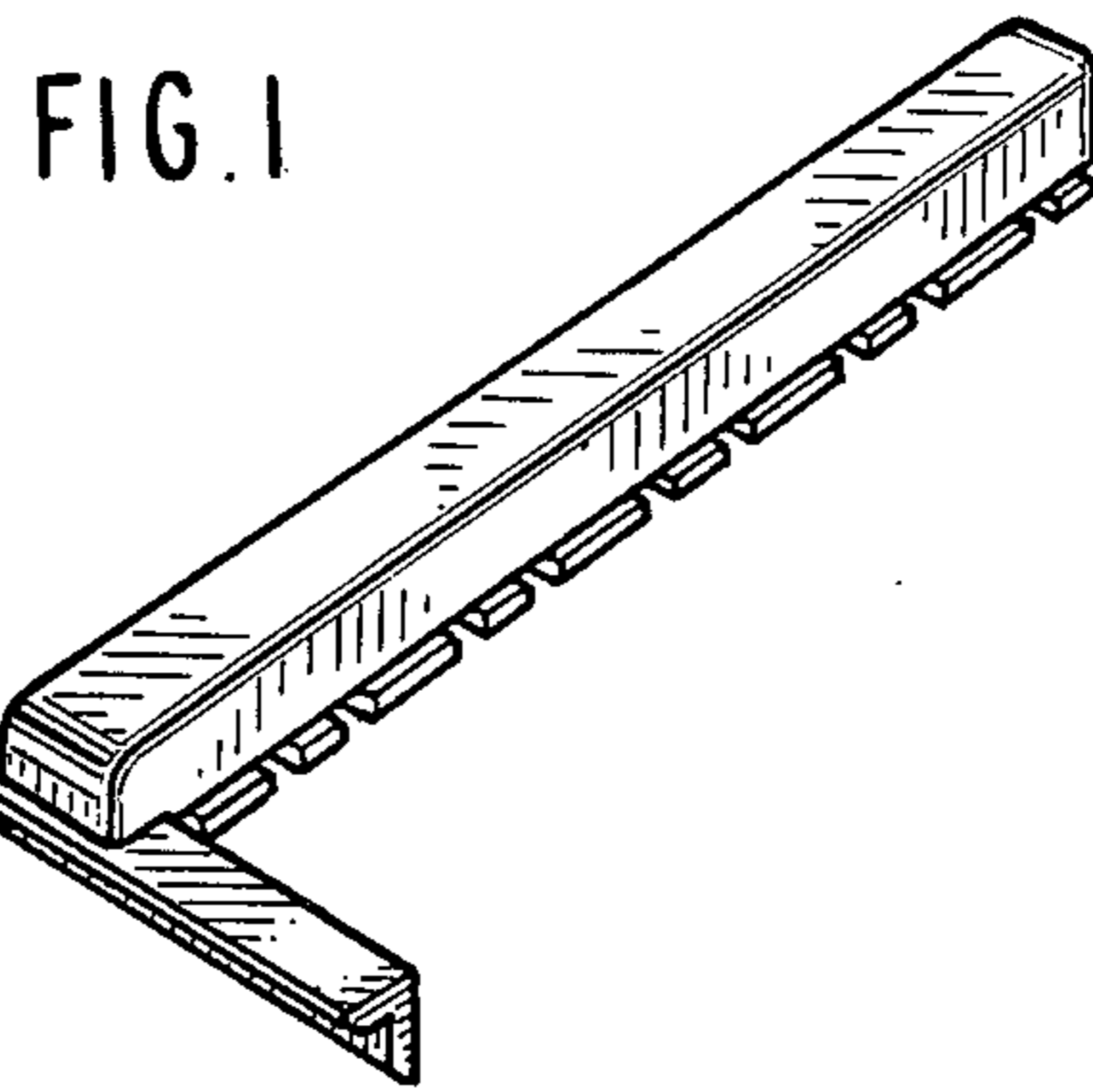


FIG. 2

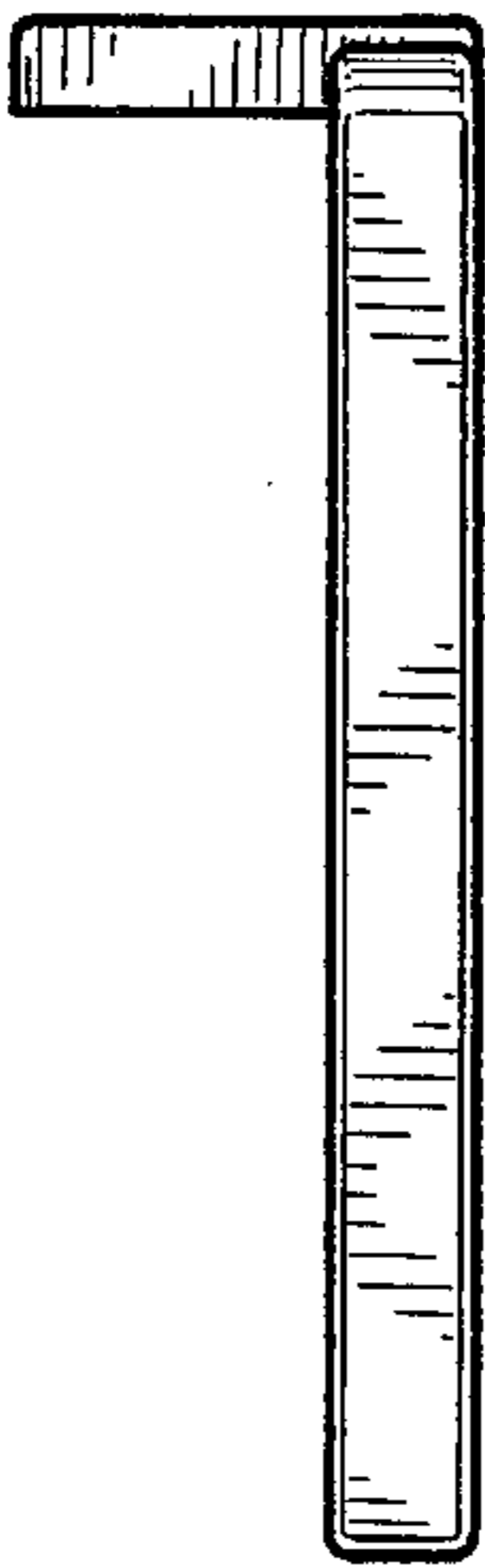


FIG. 3

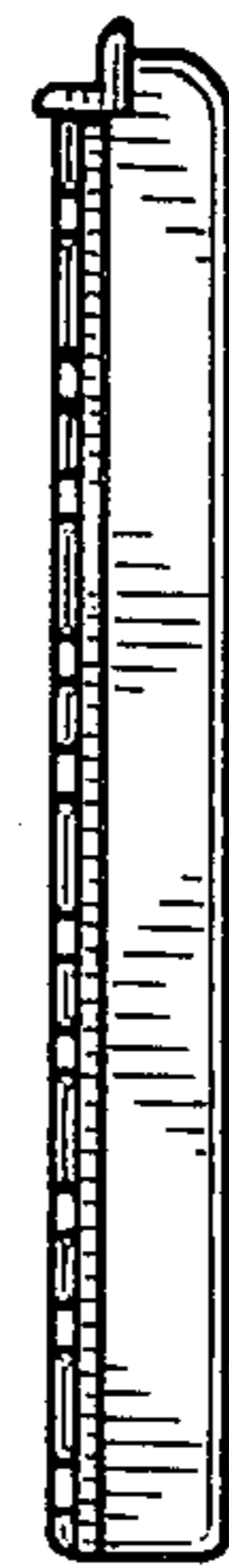
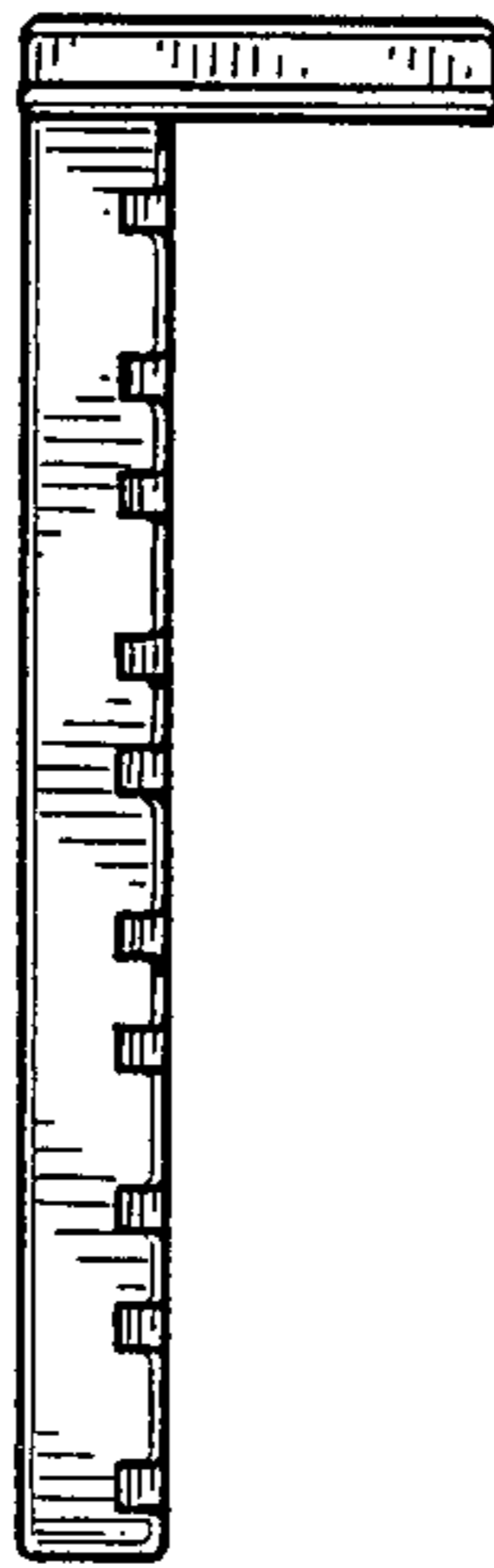


FIG. 6



FIG. 7



FIG. 4



FIG. 5