

[54] **ADJUSTABLE TABLE LAMP**

[75] **Inventor: Michele De Lucchi, Milan, Italy**

[73] **Assignee: Artemide S.p.A., Milan, Italy**

[**] **Term: 14 Years**

[21] **Appl. No.: 70,834**

[22] **Filed: Jul. 6, 1987**

[30] **Foreign Application Priority Data**

Jan. 8, 1987 [IT] Italy 20427/87[U]
[52] **U.S. Cl. D26/65**
[58] **Field of Search D26/60-65;**
362/410-414, 269, 270, 275, 287, 418, 419, 427

[56] **References Cited**

U.S. PATENT DOCUMENTS

D. 264,634 5/1982 Okuno D26/65
3,543,019 11/1970 Jacobsen 362/413 X
3,694,647 9/1972 Chapman, Jr. et al. 362/411
4,213,172 7/1980 Scattolin et al. 362/413

FOREIGN PATENT DOCUMENTS

117122 7/1946 Sweden 362/427

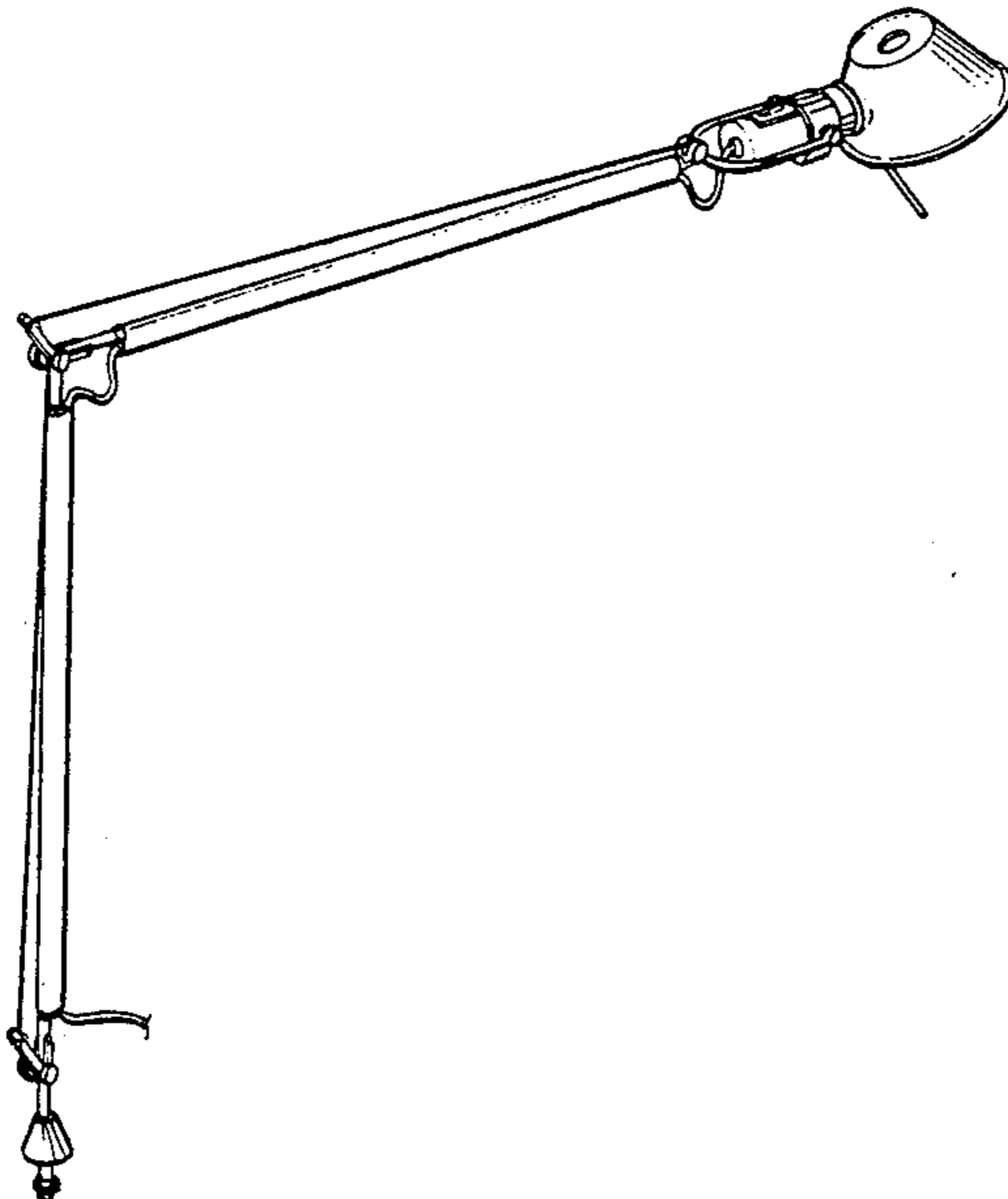
Primary Examiner—Susan J. Lucas
Attorney, Agent, or Firm—Guido Modiano; Albert Josif

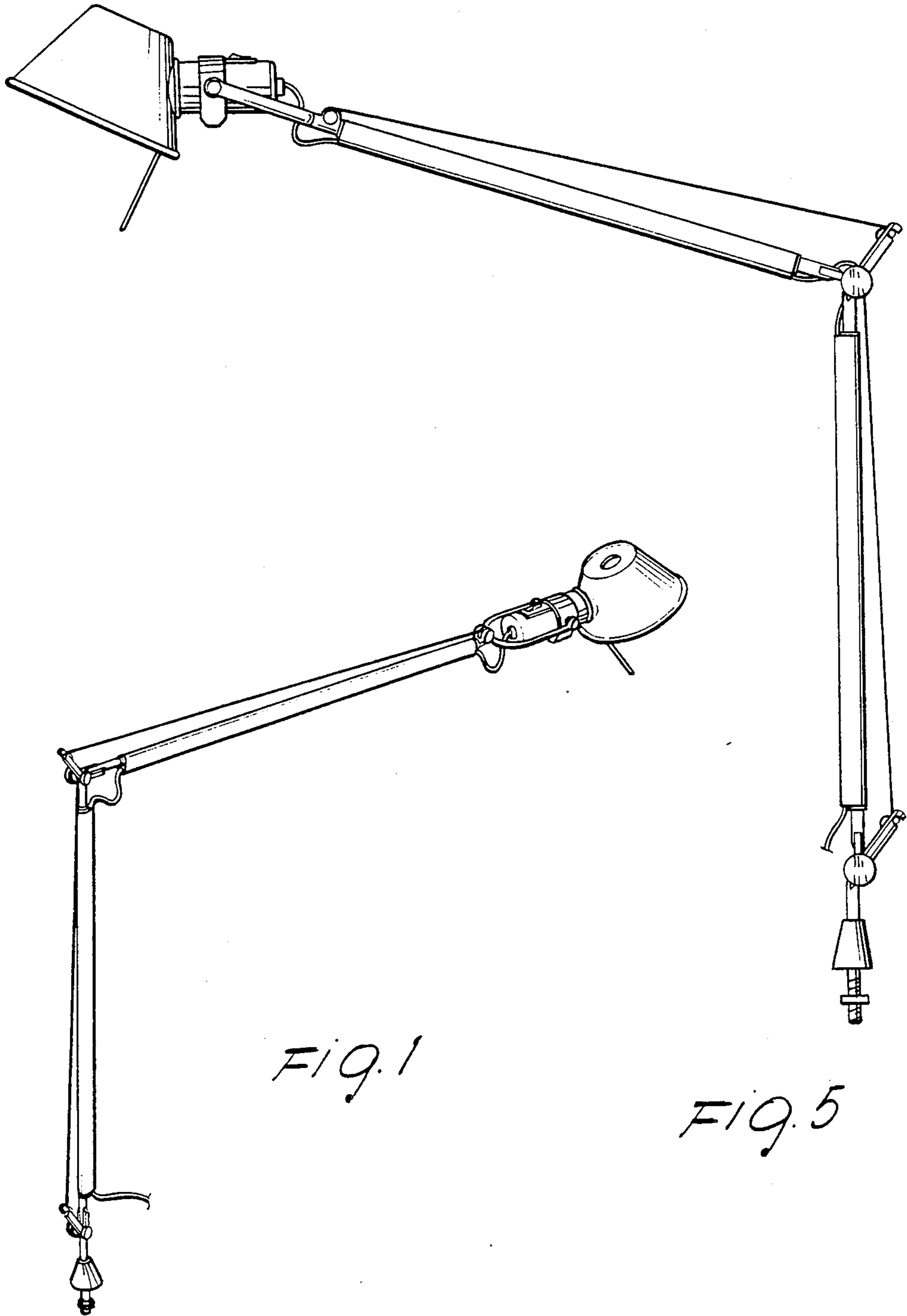
[57] **CLAIM**

The ornamental design for adjustable table lamp, as shown and described.

DESCRIPTION

FIG. 1 is a top, rear, right side perspective view of an adjustable table lamp showing my new design;
FIG. 2 is a right side elevational view thereof on an enlarged scale;
FIG. 3 is a front elevational view thereof on an enlarged scale;
FIG. 4 is a rear elevational view thereof on an enlarged scale;
FIG. 5 is a left side elevational view thereof on an enlarged scale;
FIG. 6 is a top plan view thereof on an enlarged scale;
FIG. 7 is a bottom plan view thereof on an enlarged scale.





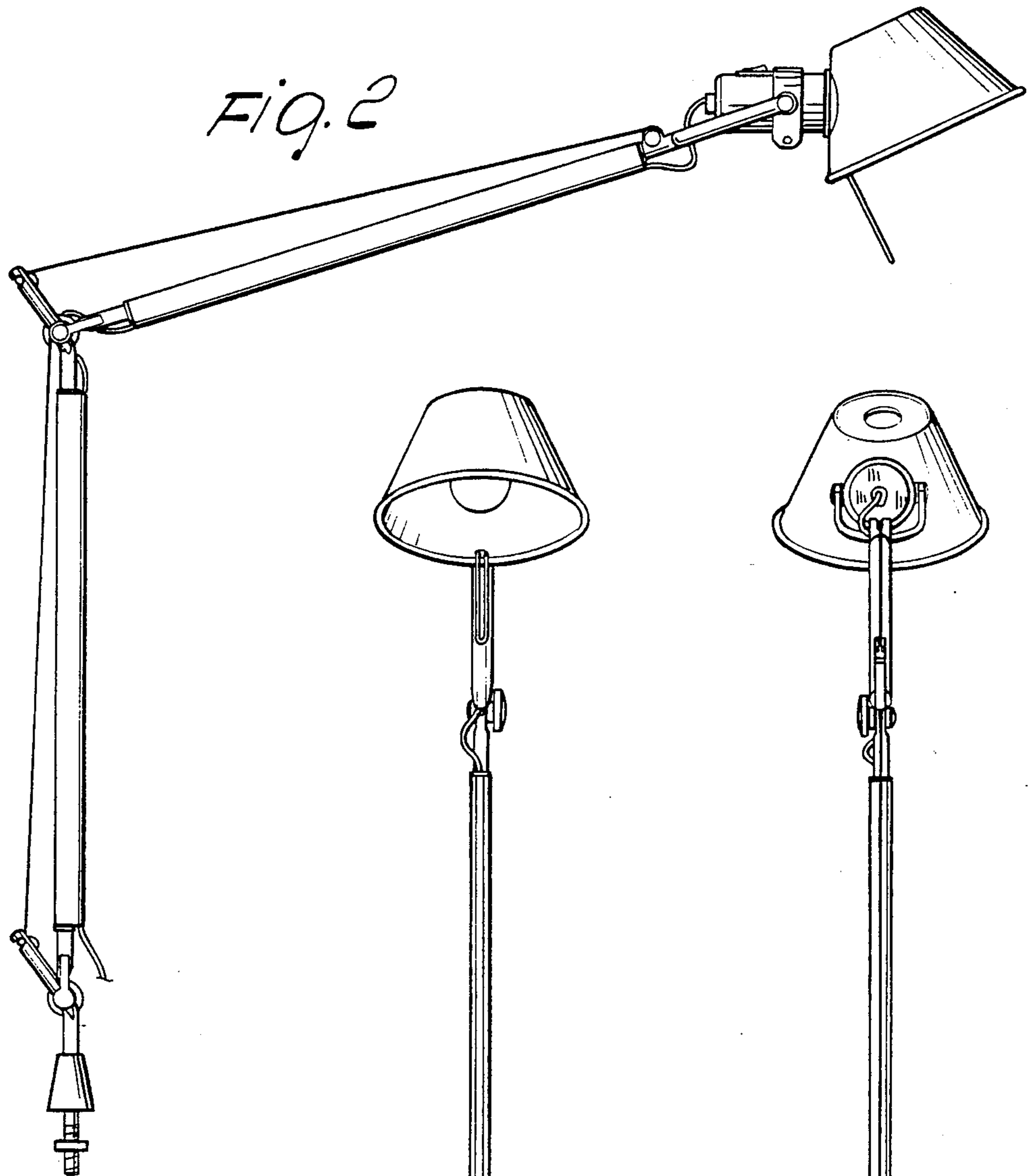


FIG. 3

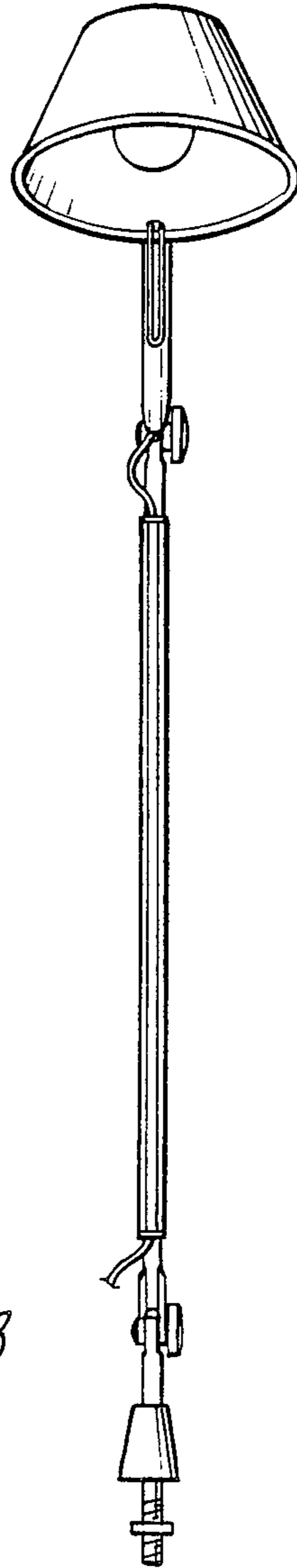
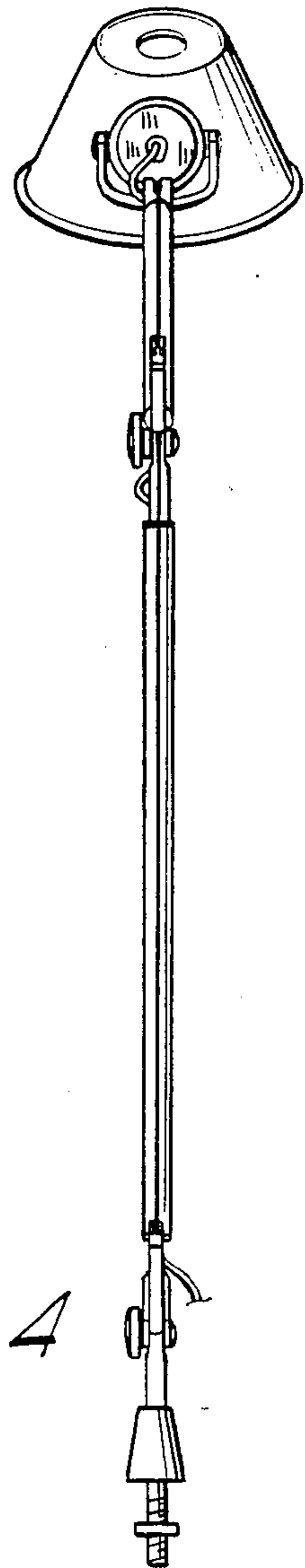


FIG. 4



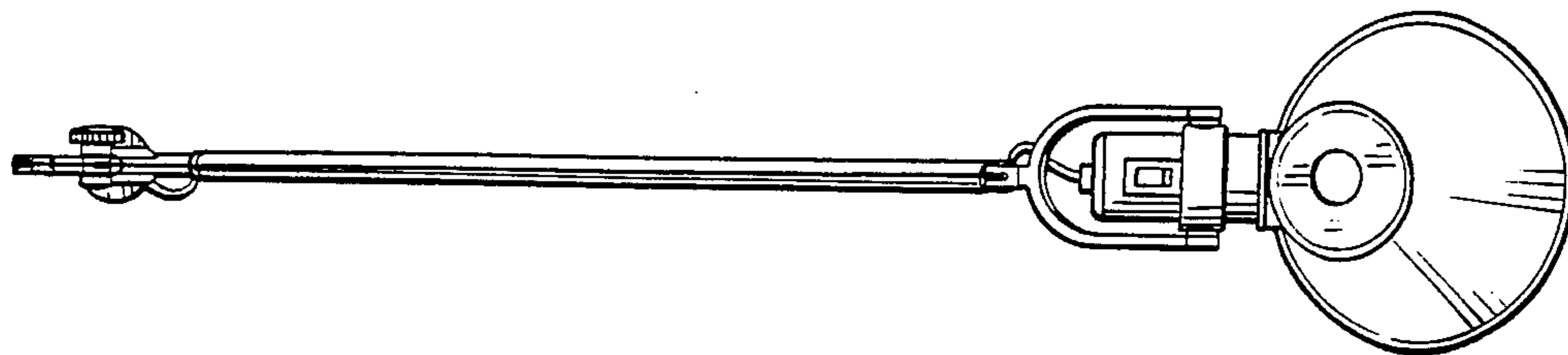


FIG. 6

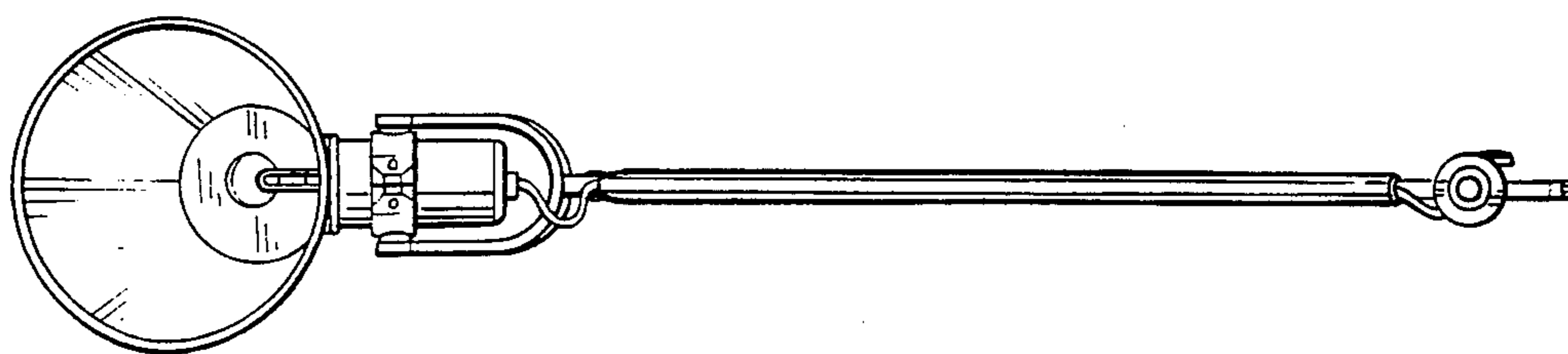


FIG. 7