

[54] NIGHT-LIGHT

[75] Inventor: Leonardus A. C. Krol, Gorinchem, Netherlands
[73] Assignee: U.S. Philips Corporation, New York, N.Y.

[**] Term: 14 Years

[21] Appl. No.: 945,448

[22] Filed: Dec. 19, 1986

[30] Foreign Application Priority Data

Aug. 18, 1986 [WO] World Int. Prop. O. DM/007371
[52] U.S. Cl. D26/26; D26/2
[58] Field of Search D26/24, 26, 1, 2, 3; 362/226, 363, 297, 310, 309, 216, 307; 313/317, 315, 318, 110, 113, 116, 567; 315/58, 56, 57

[56]

References Cited

U.S. PATENT DOCUMENTS

D. 144,636	5/1946	Shaeffer	D26/2
1,149,038	8/1915	Ficq	313/315 X
1,995,863	3/1935	Prideaux	313/315 X
3,218,500	11/1965	Wright et al.	313/318 X
3,446,954	5/1969	Spiteri	362/226
3,541,380	11/1970	Spiteri	313/318

Primary Examiner—Susan J. Lucas

[57]

CLAIM

The ornamental design for a night-light, as shown.

DESCRIPTION

FIG. 1 is a front, top and right side perspective view of a night light showing my new design; FIG. 2 is a front elevational view thereof; FIG. 3 is a rear elevational view thereof; FIG. 4 is a right side elevational view thereof; FIG. 5 is a left side elevational view thereof; FIG. 6 is a top plan view thereof; and FIG. 7 is a bottom plan view thereof.

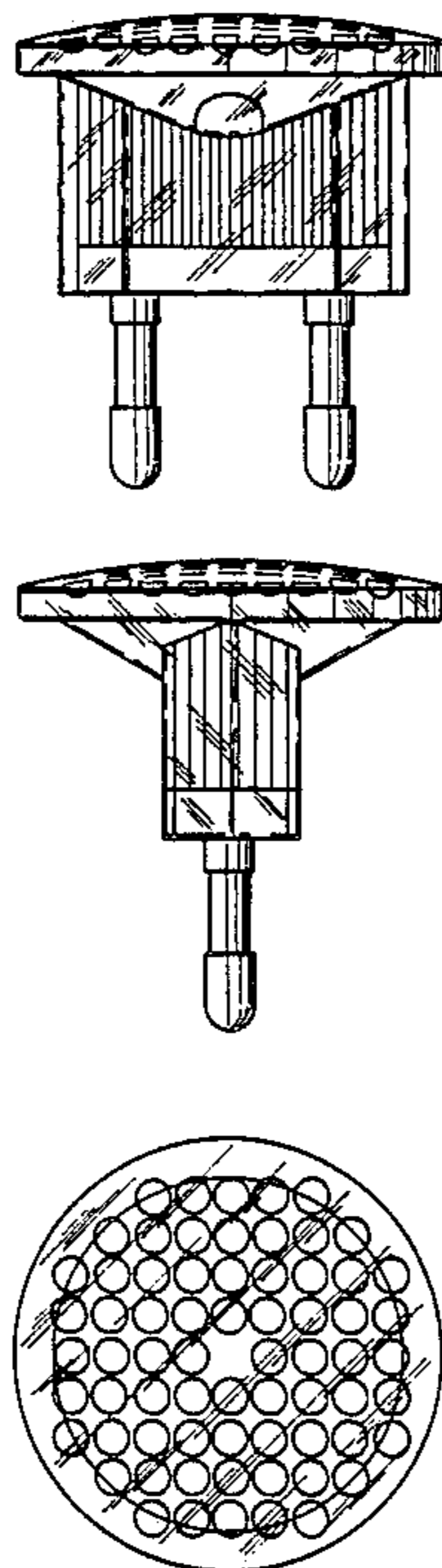


FIG. 1

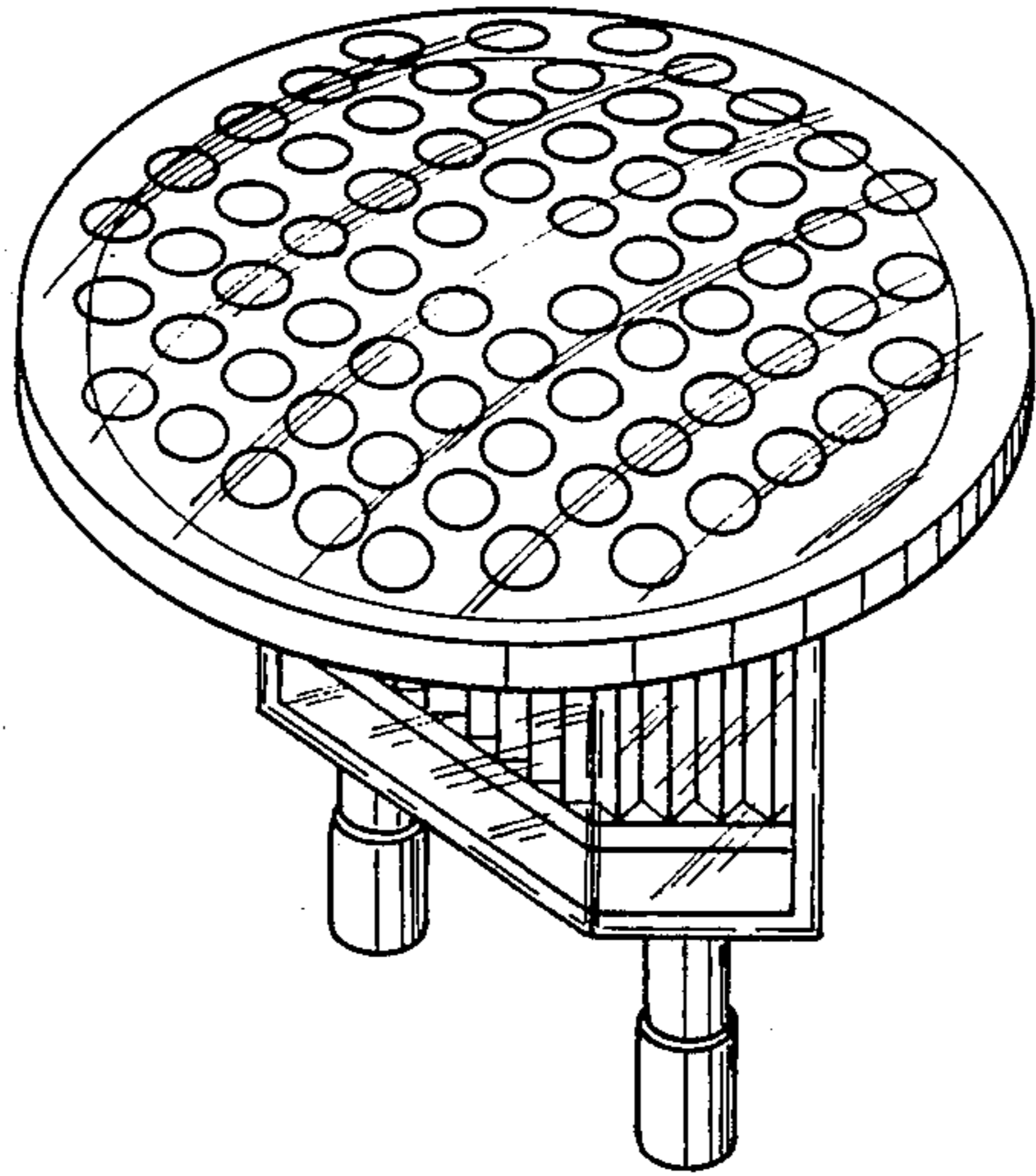


FIG. 2

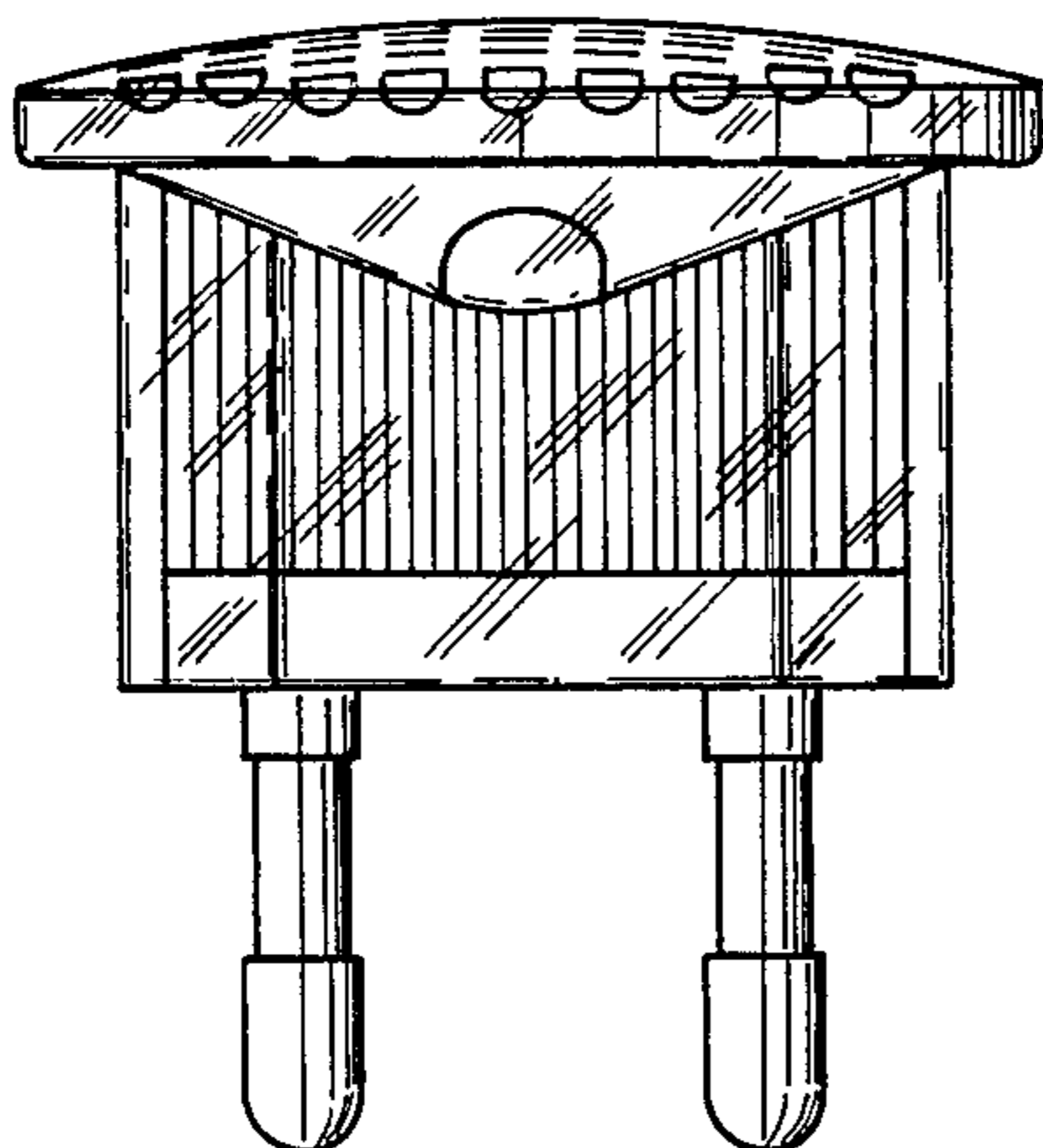


FIG. 3

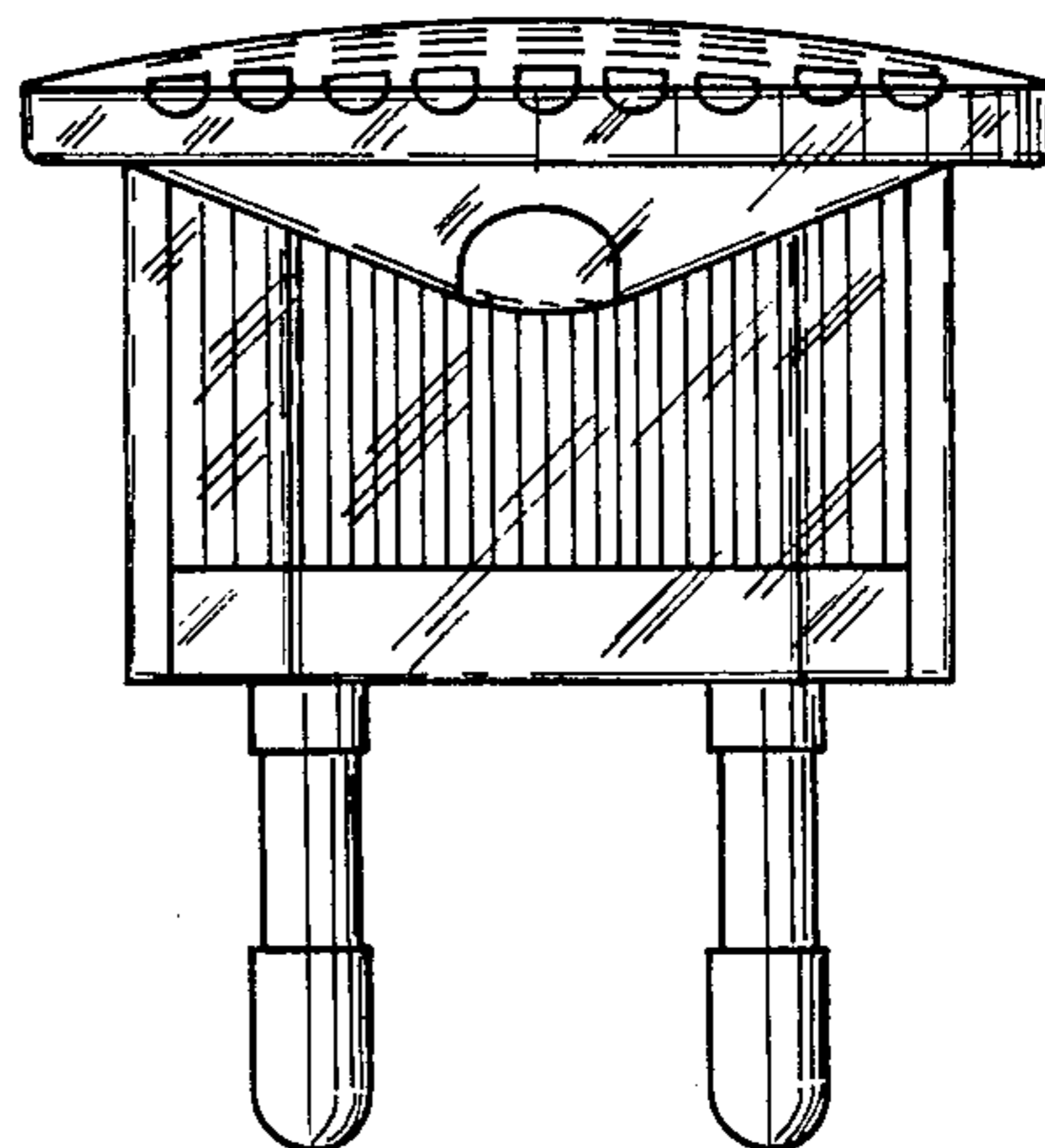


FIG. 4

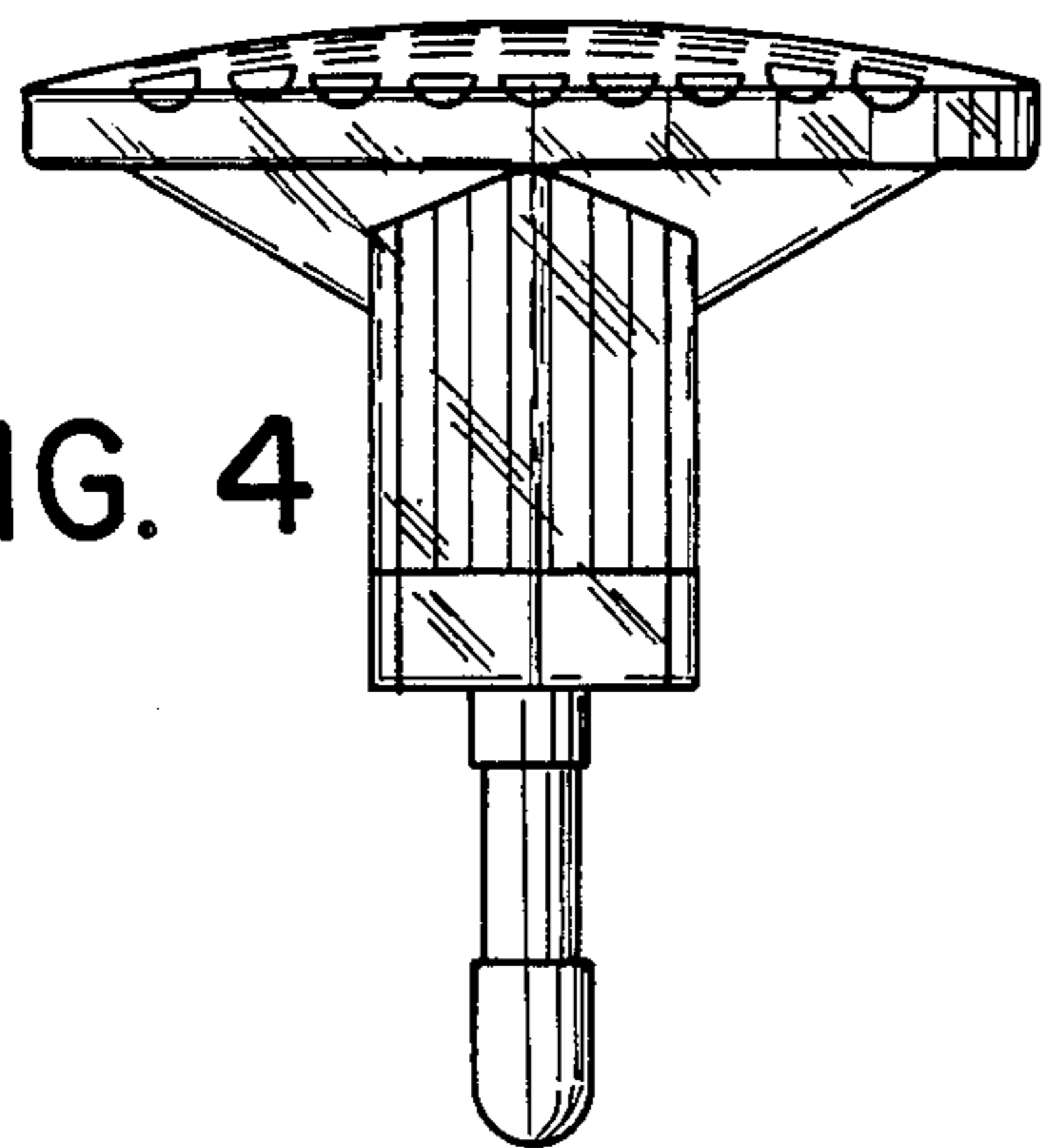


FIG. 5

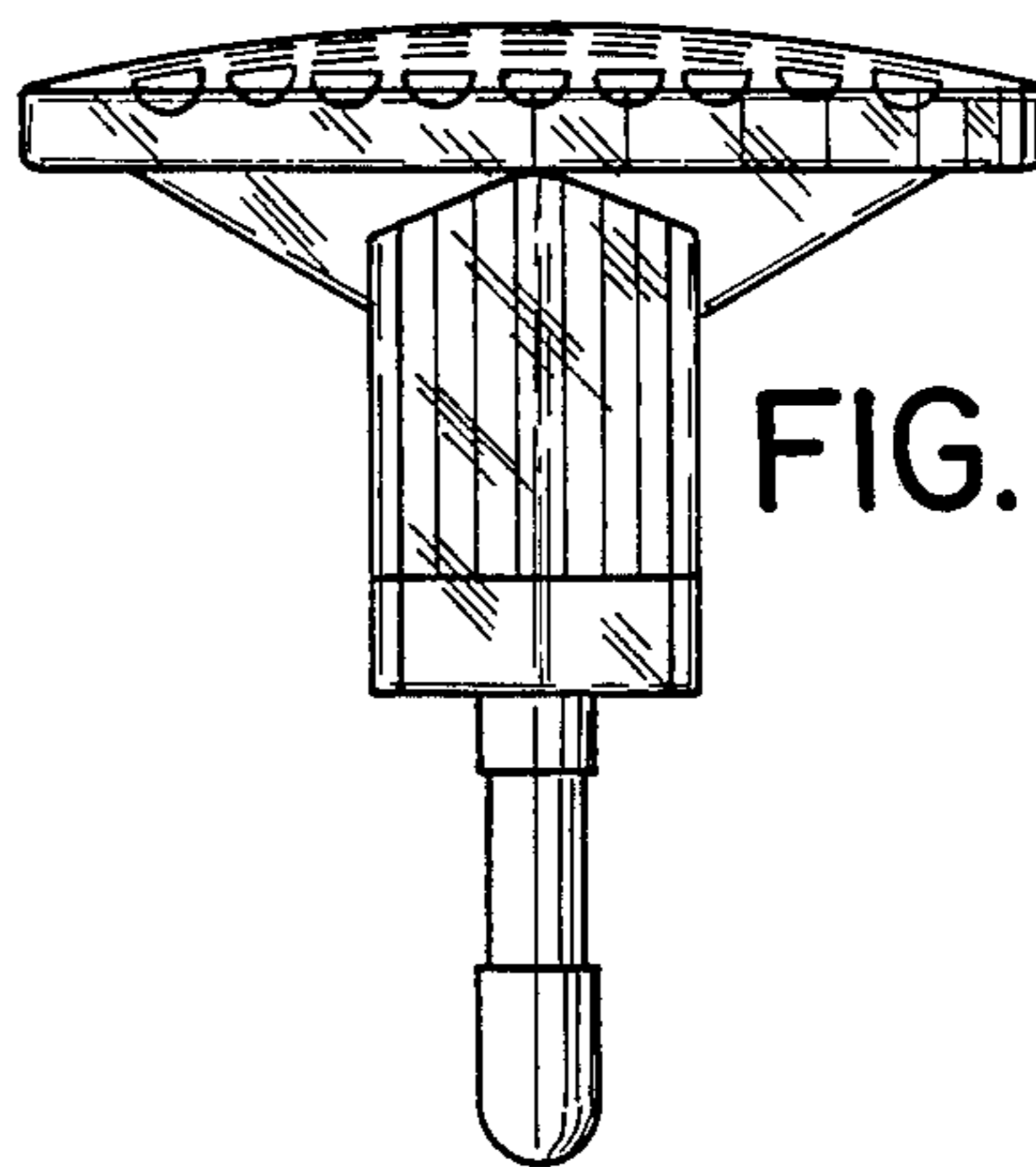


FIG. 6

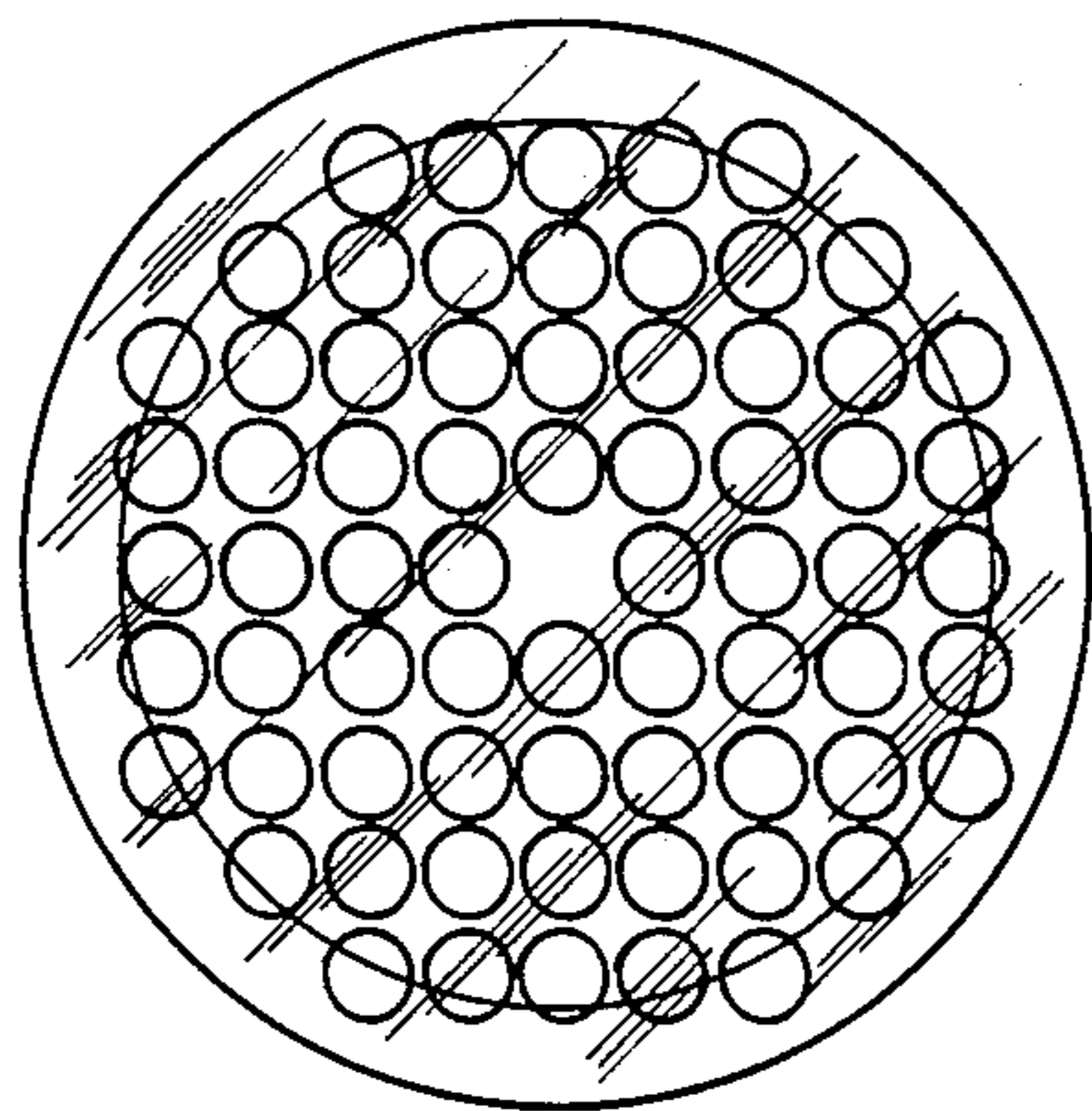


FIG. 7

