

[54] FLUORESCENT LAMP

[75] Inventor: Shuichi Tayama, Tokyo, Japan

[73] Assignee: Kabushiki Kaisha Toshiba, Kawasaki, Japan

[**] Term: 14 Years

[21] Appl. No.: 130,666

[22] Filed: Dec. 9, 1987

[30] Foreign Application Priority Data

Jun. 17, 1987 [JP] Japan 62-24432

[52] U.S. Cl. D26/3

[58] Field of Search D26/1, 2, 3; 313/315, 313/317, 318, 110, 113, 116, 491, 493, 567, 569, 25; 315/56, 57, 58, 73

[56] References Cited

U.S. PATENT DOCUMENTS

- D. 272,000 12/1983 Nanba et al. D26/3
- D. 277,412 1/1985 Bedel .
- D. 287,287 12/1986 Futatsugi et al. D26/3
- D. 289,798 5/1987 Joosten D26/3

- D. 291,358 8/1987 Witte .
- 4,298,822 11/1981 Fukuda 313/318

FOREIGN PATENT DOCUMENTS

- DM/004999 3/1985 Belgium .
- 56-110565 4/1986 Japan .
- 715940 10/1987 Japan .

Primary Examiner—Susan J. Lucas
Attorney, Agent, or Firm—Oblon, Spivak, McClelland, Maier & Neustadt

[57] CLAIM

The ornamental design for a fluorescent lamp, as shown and described.

DESCRIPTION

FIG. 1 is a top, front, and side perspective view of a fluorescent lamp showing my new design;
FIG. 2 is a front elevational view thereof, the rear being a mirror image;
FIG. 3 is a side elevational view thereof, the opposite side being a mirror image;
FIG. 4 is a top plan view thereof; and
FIG. 5 is a bottom plan view thereof.

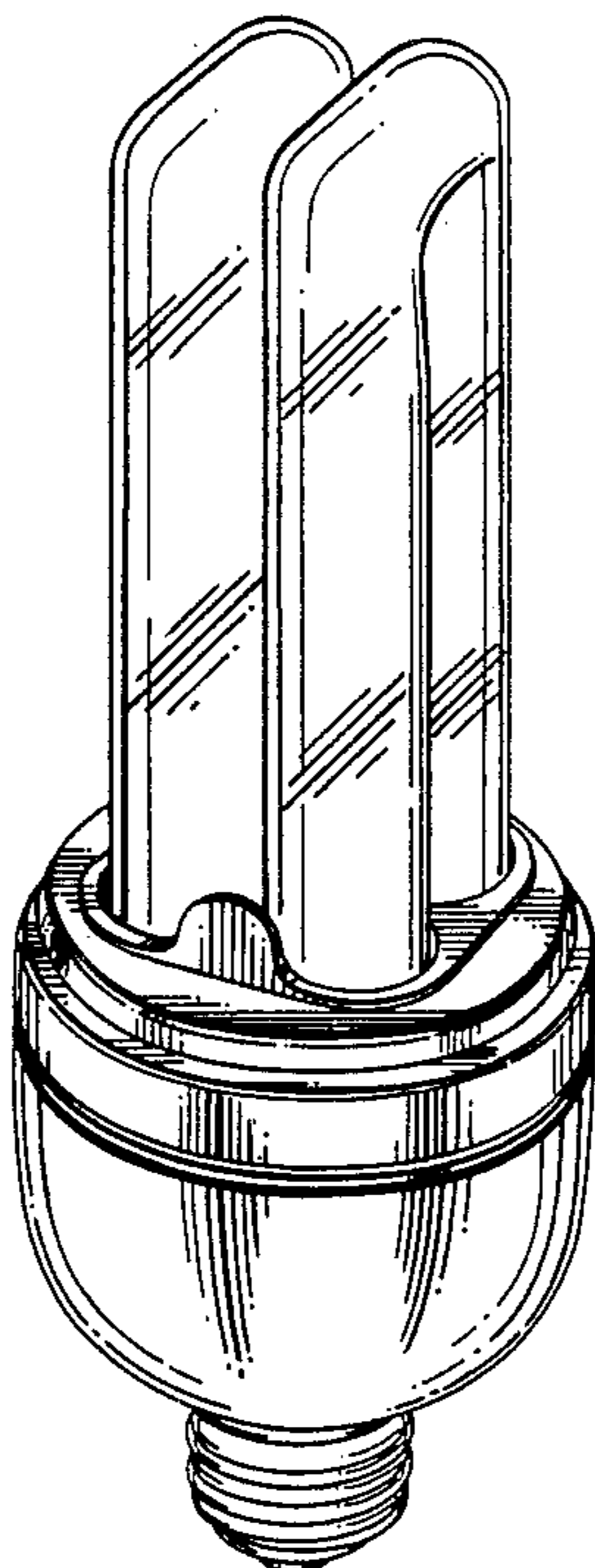


FIG. 1

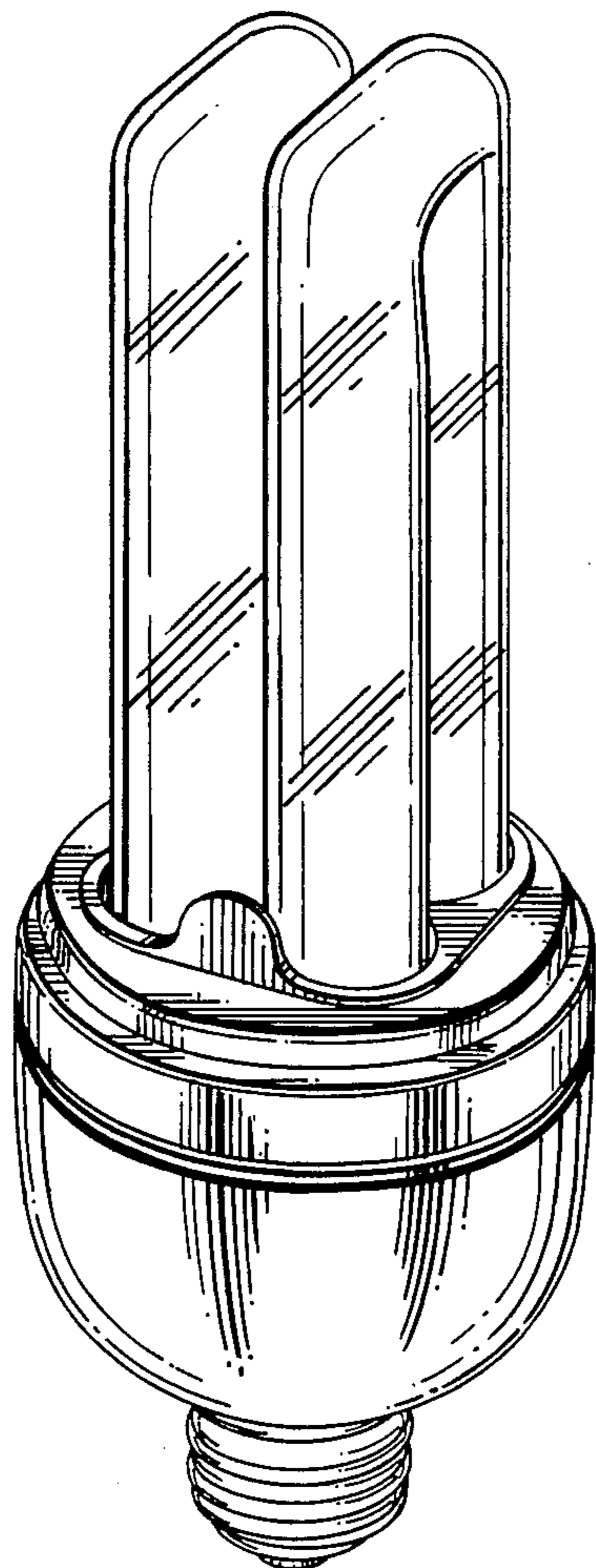


FIG. 2

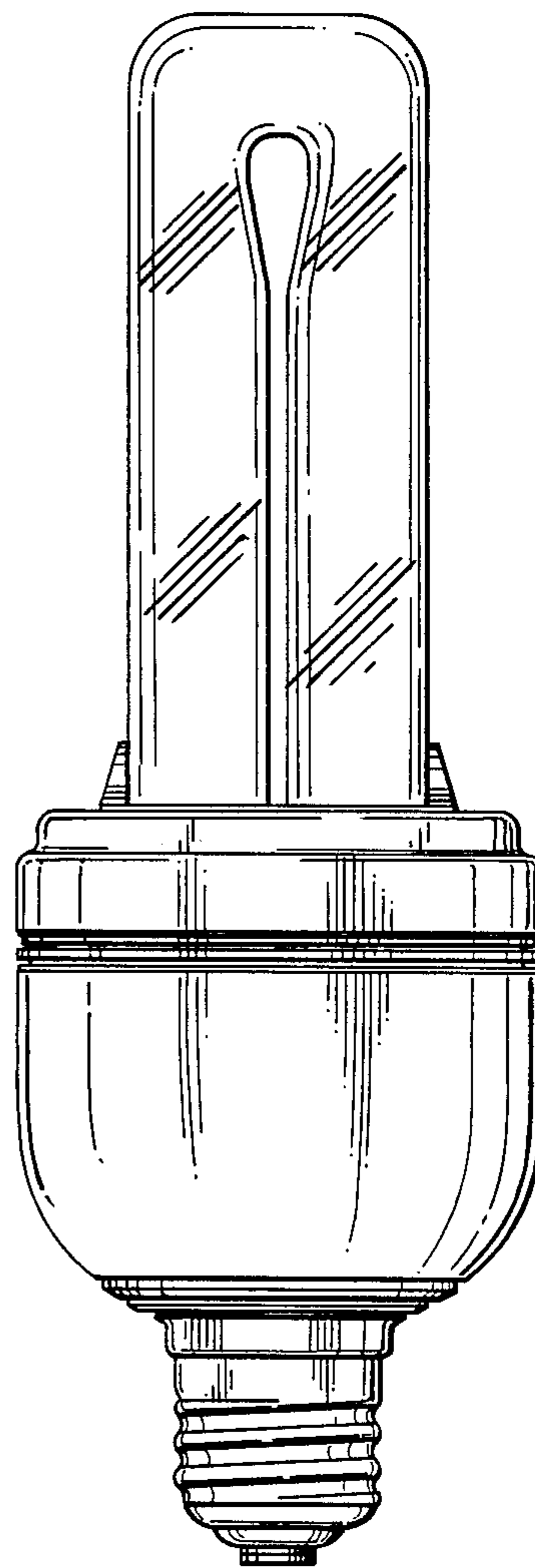


FIG. 3

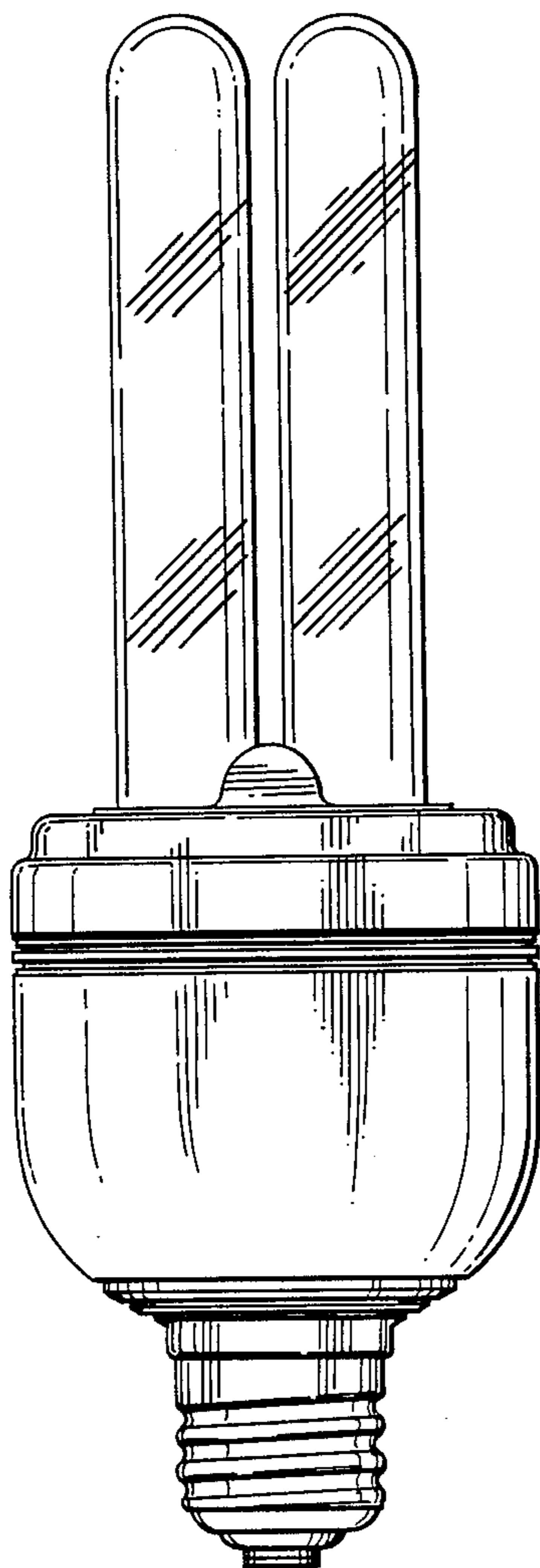


FIG. 4

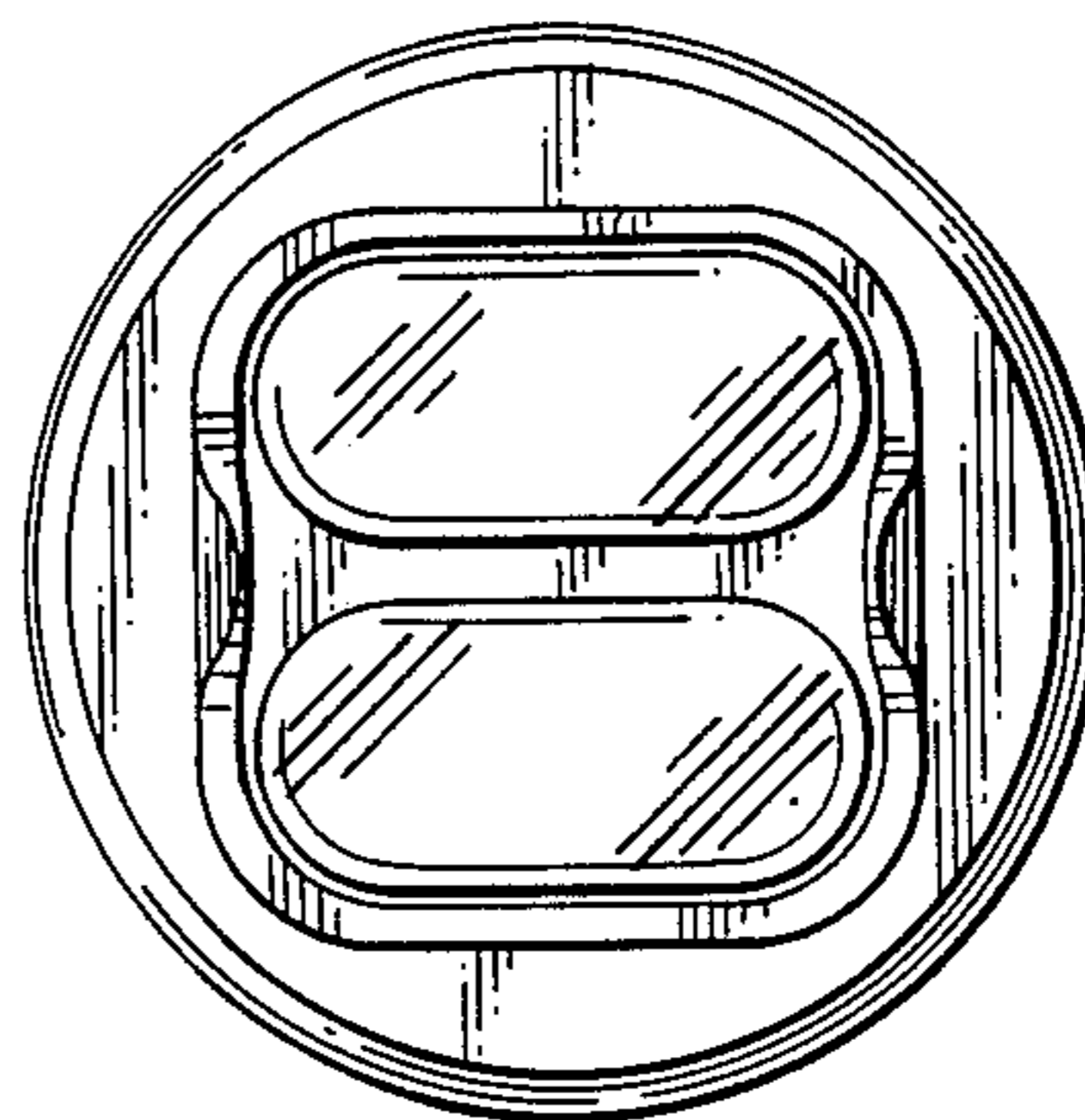


FIG. 5

